



US00D959978S

(12) **United States Design Patent**
Canlas et al.

(10) **Patent No.:** **US D959,978 S**
(45) **Date of Patent:** **** Aug. 9, 2022**

(54) **PACKAGE COVER**

(71) Applicant: **Sanford L.P.**, Atlanta, GA (US)
(72) Inventors: **Randel Kert Canlas**, Charlotte, NC (US); **Timothy James Ruth**, Charlotte, NC (US)

(73) Assignee: **SANFORD, L.P.**, Atlanta, GA (US)

(**) Term: **15 Years**

(21) Appl. No.: **29/738,097**

(22) Filed: **Jun. 15, 2020**

(51) **LOC (13) Cl.** **09-03**

(52) **U.S. Cl.**
USPC **D9/433**

(58) **Field of Classification Search**
USPC D9/414-419, 430-433, 444, 445, 455, D9/456, 457, 499; D19/90, 92, 34.1, 75, D19/77, 78, 81, 83, 84, 86, 91, 95, 99, D19/100, 102, 107; D6/553, 675, 675.4, D6/683, 702, 706, 300, 512, 574
CPC B65D 5/00; B65D 5/0015; B65D 5/008; B65D 5/02; B65D 5/42; B65D 5/20
See application file for complete search history.

(56) **References Cited**

U.S. PATENT DOCUMENTS

D158,370 S *	5/1950	Fettinger	B65D 25/205
				D9/415
3,076,541 A *	2/1963	Volckening	B65D 75/327
				206/232
3,346,104 A *	10/1967	Marsh	B65D 33/001
				206/472
D216,637 S *	2/1970	Hermalin	B42F 7/12
				D9/415
D226,701 S *	4/1973	Gallat	D19/91
D239,608 S *	4/1976	Wells	D9/457
D241,295 S *	9/1976	Entin	D19/34.1

(Continued)

OTHER PUBLICATIONS

Fastpack Packaging. Open Top Bin Boxes Bundle. Publication date unavailable. Visited Mar. 31, 2022. <https://www.fastpack.net/6-x-18-x-4-1-2-open-top-bin-boxes-bundle-50/> (Year: 0).*

(Continued)

Primary Examiner — Darcey E Gottschalk

Assistant Examiner — Vanessa M. Pursley

(74) *Attorney, Agent, or Firm* — Eversheds Sutherland (US) LLP

(57) **CLAIM**

We claim the ornamental design for a package cover, as shown and described.

DESCRIPTION

FIG. 1 is an upper perspective view of a package cover in a folded configuration, showing our new design.

FIG. 2 is a lower perspective view of the package cover of FIG. 1.

FIG. 3 is a front view of the package cover of FIG. 1.

FIG. 4 is a rear view of the package cover of FIG. 1.

FIG. 5 is a first side view of the package cover of FIG. 1.

FIG. 6 is a second side view of the package cover of FIG. 1.

FIG. 7 is a top view of the package cover of FIG. 1.

FIG. 8 is a bottom view of the package cover of FIG. 1.

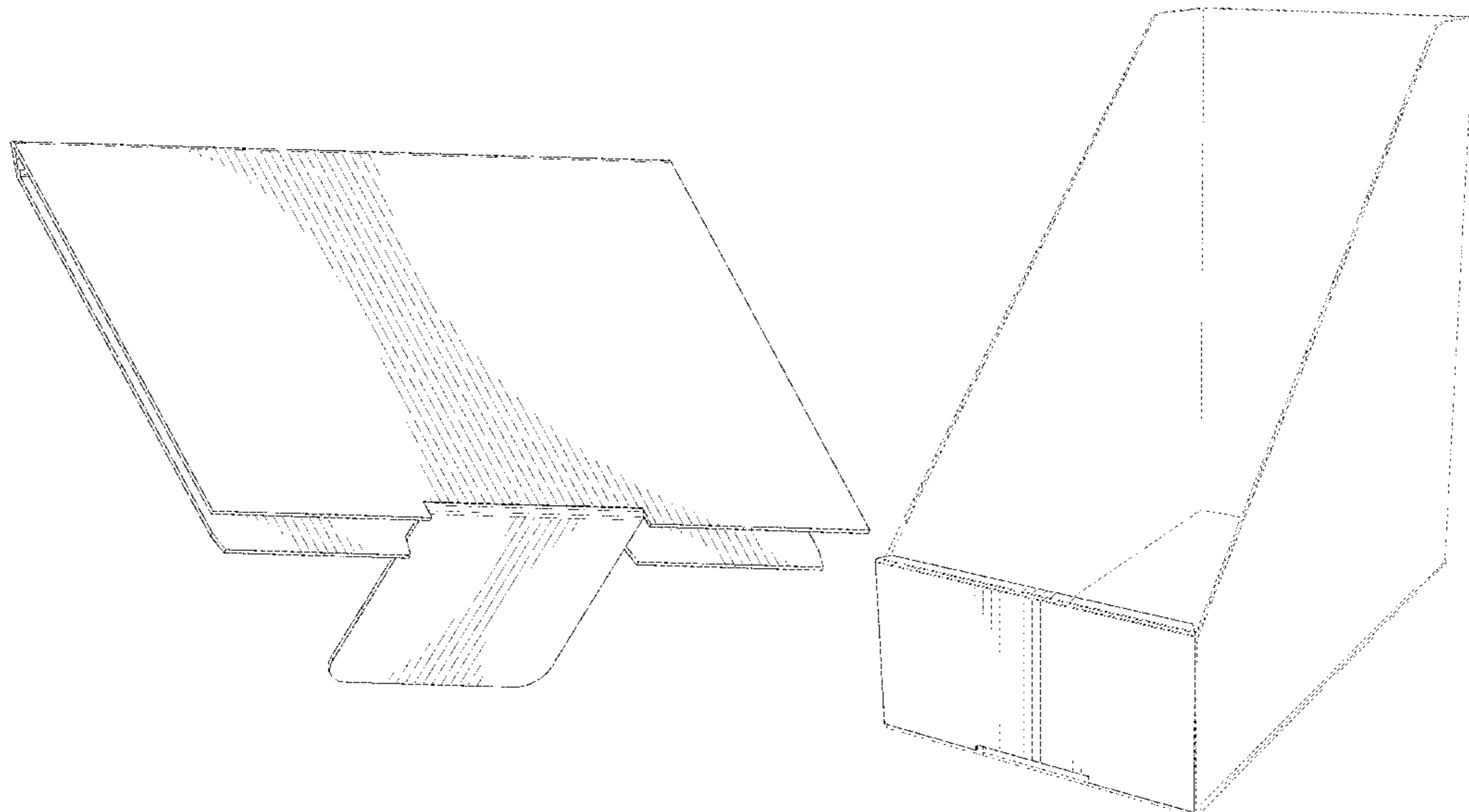
FIG. 9 is a plan view of an unfolded blank for the package cover of FIG. 1.

FIG. 10 is a front upper perspective view of the package cover of FIG. 1 in use on a package; and,

FIG. 11 is a rear upper perspective view of the package cover of FIG. 1 in use on a package.

The broken lines in the drawings are included for the purpose of illustrating environment that forms no part of the claimed design.

1 Claim, 10 Drawing Sheets



(56)

References Cited

U.S. PATENT DOCUMENTS

D241,895 S * 10/1976 Forbes B65D 75/327
 D6/683
 4,074,810 A * 2/1978 Juergens B42F 7/12
 211/11
 D274,067 S * 5/1984 Evenson D19/92
 D312,185 S * 11/1990 Prater, Sr. D6/567
 5,073,428 A * 12/1991 Lancelot A47G 27/0206
 428/61
 5,078,264 A * 1/1992 Garganese A47F 7/02
 206/6.1
 D327,200 S * 6/1992 Szablak D7/550.1
 D335,996 S * 6/1993 Evenson D6/683
 D405,825 S * 2/1999 Karten D19/27
 D406,602 S * 3/1999 Karten D19/27
 D406,607 S * 3/1999 Karten D19/99
 D438,791 S * 3/2001 Tsuruishi B65D 33/001
 D9/456
 D438,904 S * 3/2001 Reynolds D19/86
 D439,157 S * 3/2001 Tsuruishi D9/759
 D439,279 S * 3/2001 McColskey D19/86
 D484,140 S * 12/2003 Rowell D3/304
 D492,729 S * 7/2004 Shinya D19/86
 D526,893 S * 8/2006 Nixon D9/431
 D551,294 S * 9/2007 Goudy A47F 7/02
 D19/34.1
 D555,737 S * 11/2007 Brown D19/91

D563,960 S * 3/2008 Beilstein A47F 5/005
 108/59
 7,510,089 B2 * 3/2009 Killinger B42F 7/145
 D6/567
 D632,901 S * 2/2011 Christoffel D19/34.1
 D679,330 S * 4/2013 Stravitz D19/99
 D715,641 S * 10/2014 Spinos D19/86
 D819,731 S * 6/2018 Kirk D19/32
 D878,461 S * 3/2020 Jung D19/91
 D893,291 S * 8/2020 Piscopo D19/91
 D902,707 S * 11/2020 Postlewait D19/86
 D941,670 S * 1/2022 Delle Cese D19/32
 2006/0283819 A1 * 12/2006 Larsen A47F 5/005
 108/59
 2021/0387764 A1 * 12/2021 Canlas B65D 25/205
 D19/91

OTHER PUBLICATIONS

Ubuy. Aviditi Corrugated Open Top Bin Box. First available Jul. 22, 2010. Visited Mar. 31, 2022. <https://www.ubuy.com.tr/en/product/4XU2HAA-aviditi-binmt212-corrugated-open-top-bin-box-12-length-x-2-width-x-4-1-2-height-oyster-white-case-of> (Year: 2010).*
 User Manual Wiki. Info Cbpopedwt Instructions.V2 User Manual. Published Jun. 15, 2017. Visited Mar. 31, 2022. <https://usermanual.wiki/Info/CbpopedwtInstructionsV2.727762268> (Year: 2017).*

* cited by examiner

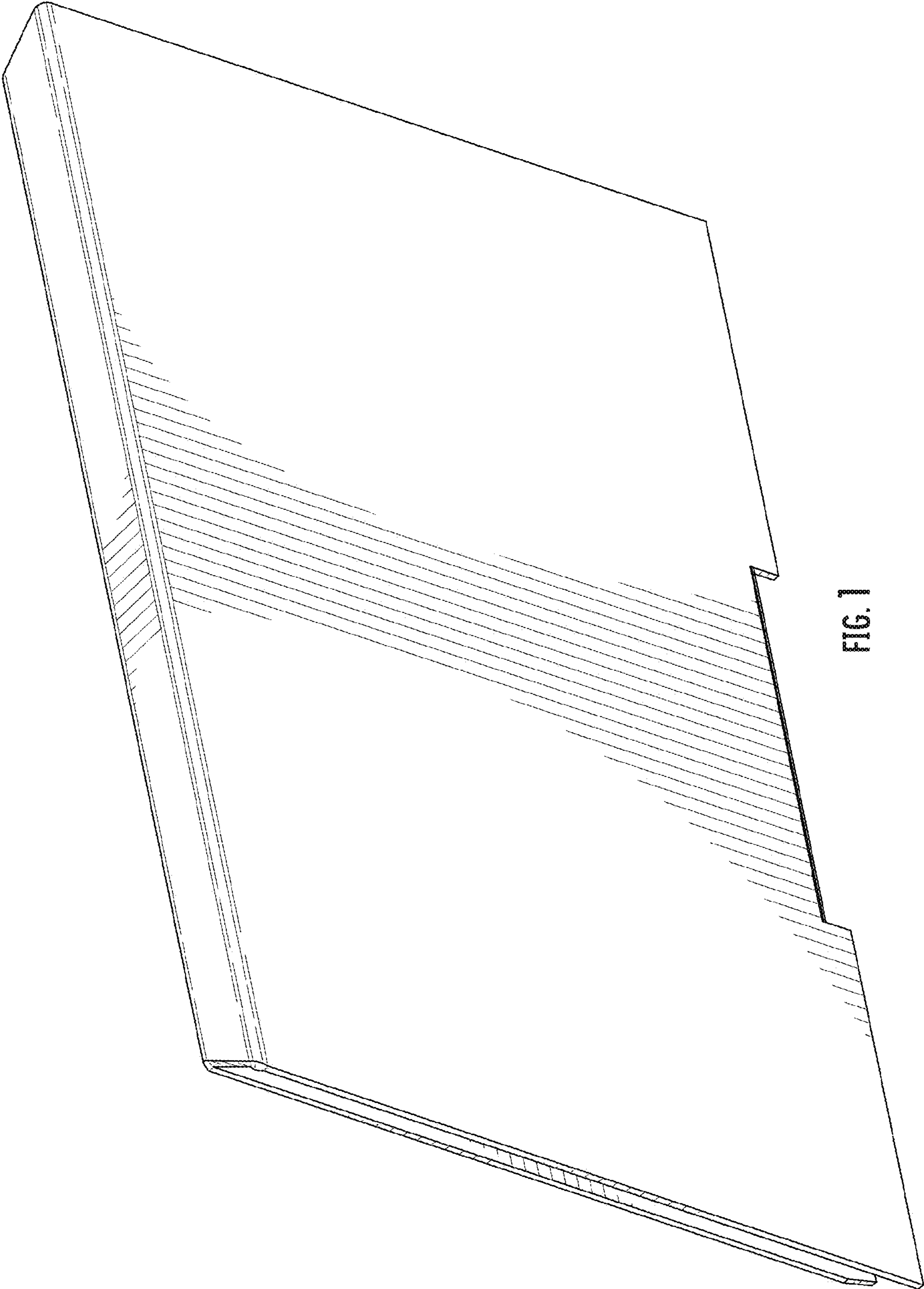


FIG. 1

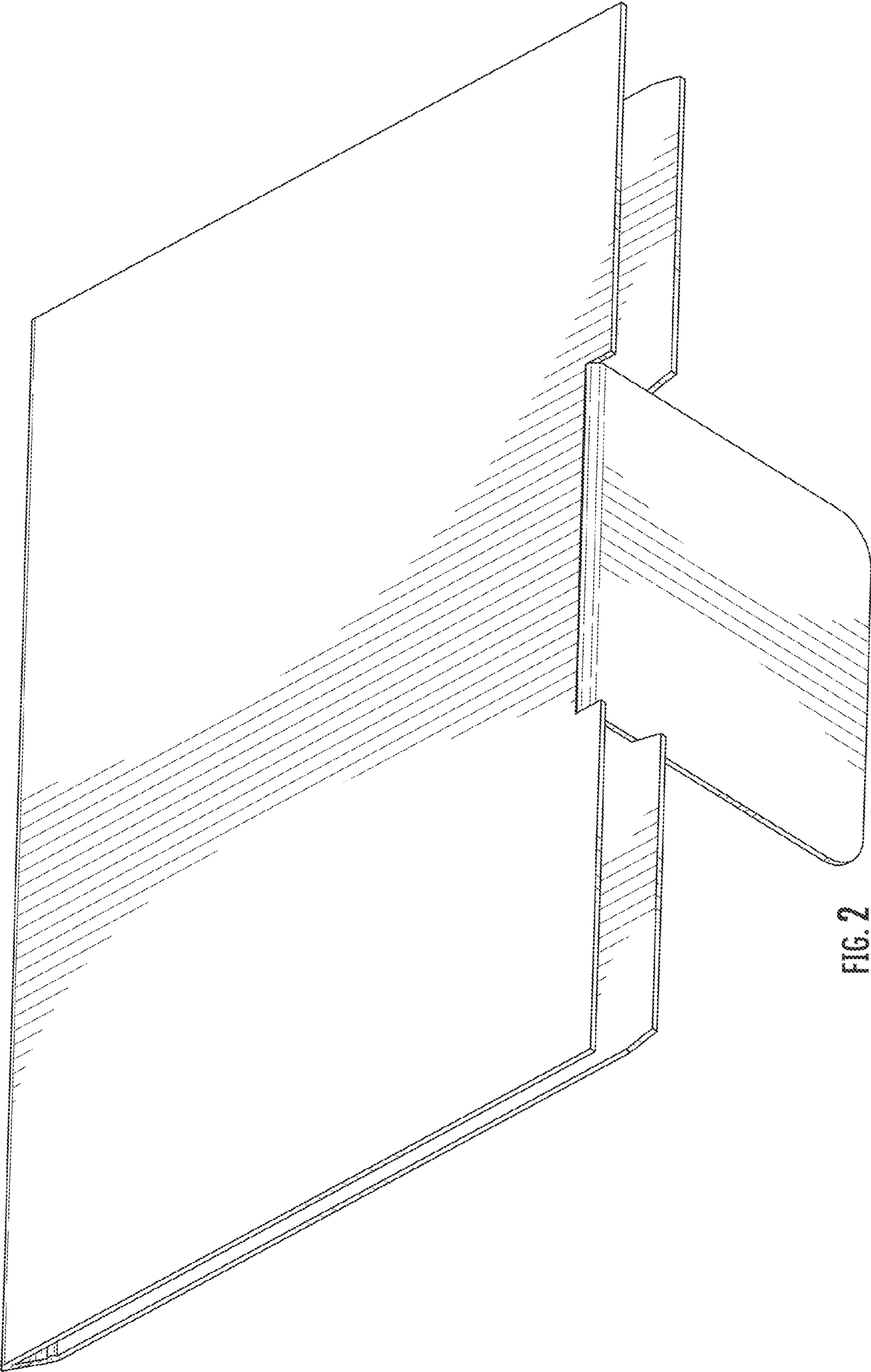


FIG. 2

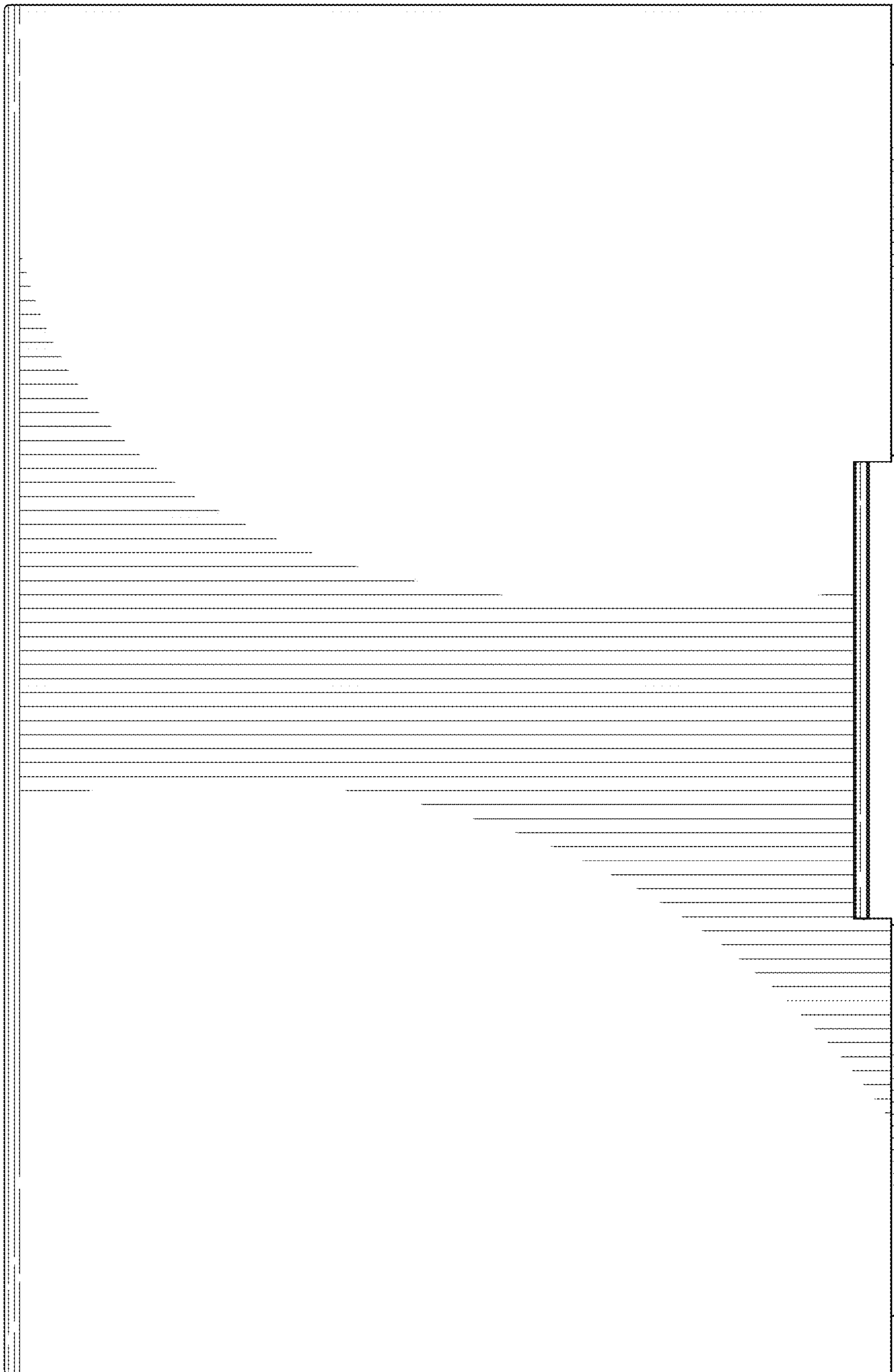


FIG. 3

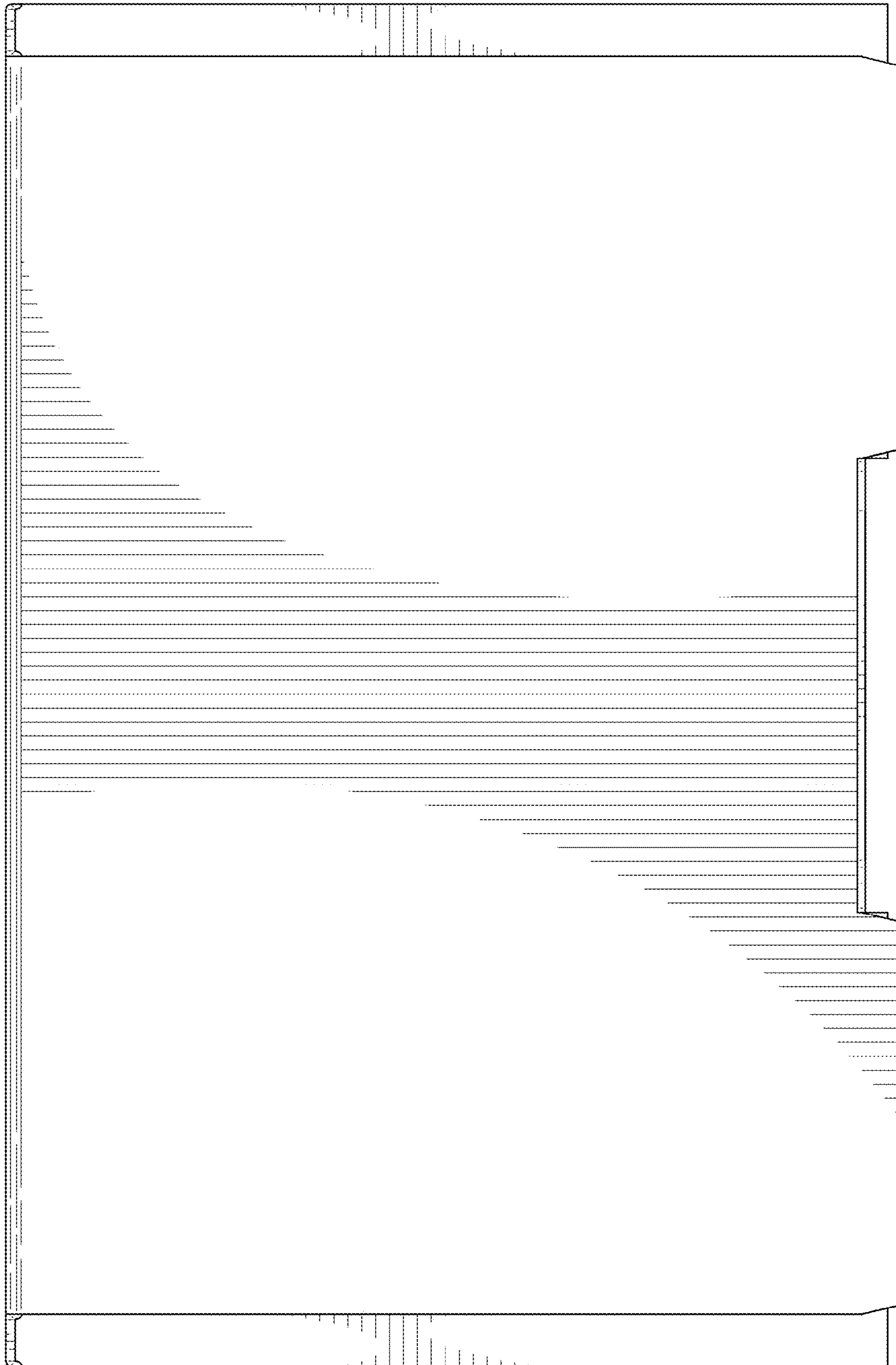


FIG. 4

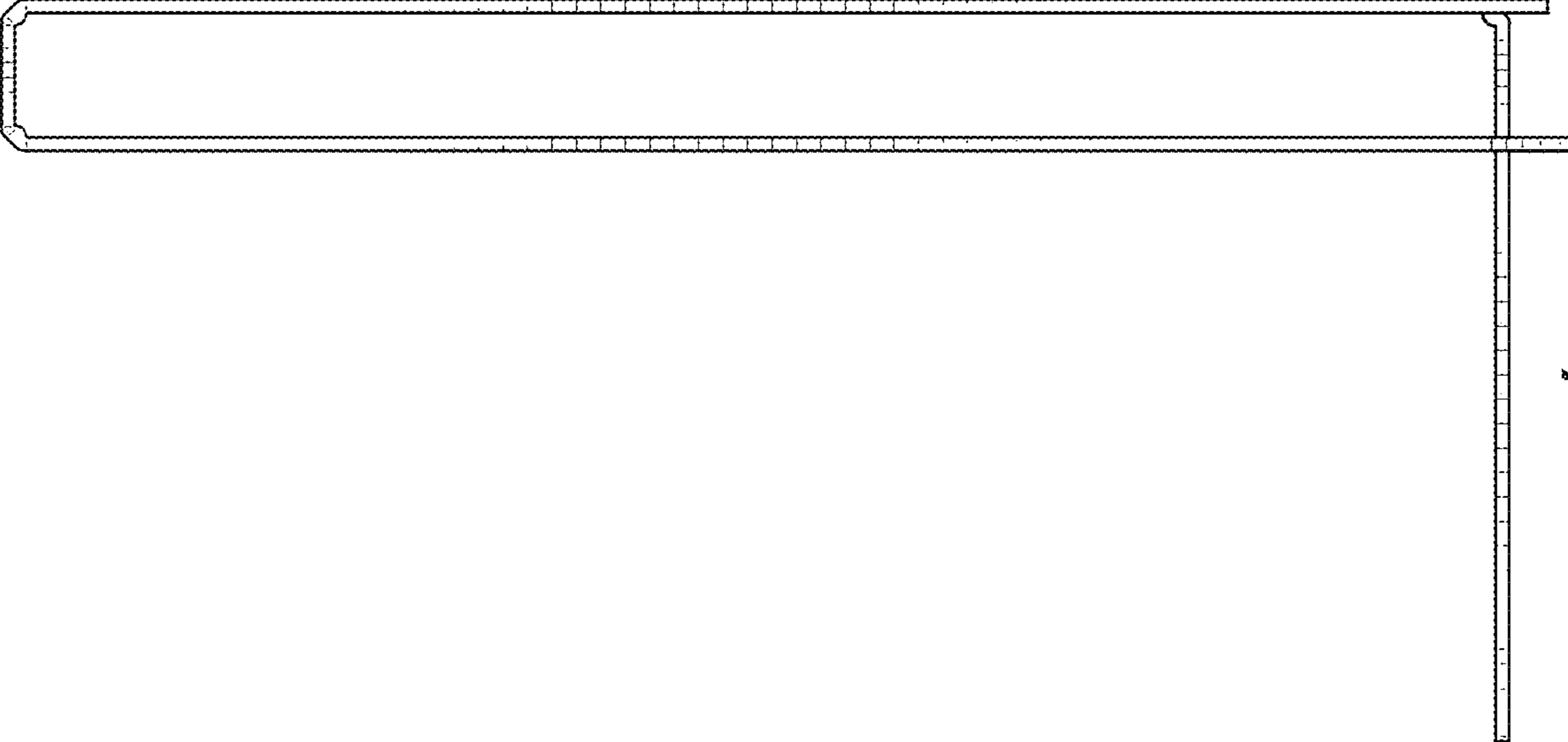


FIG. 6

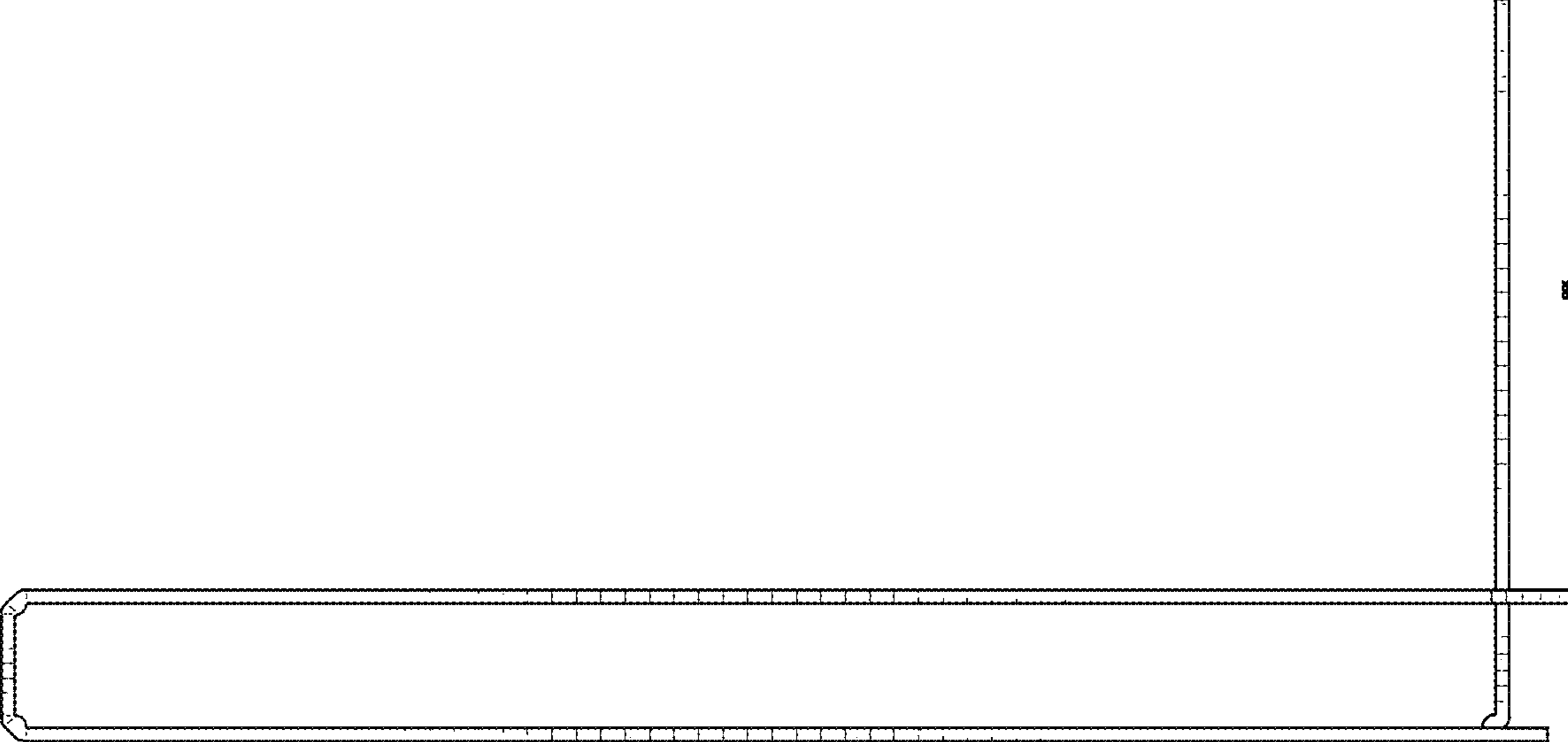


FIG. 5

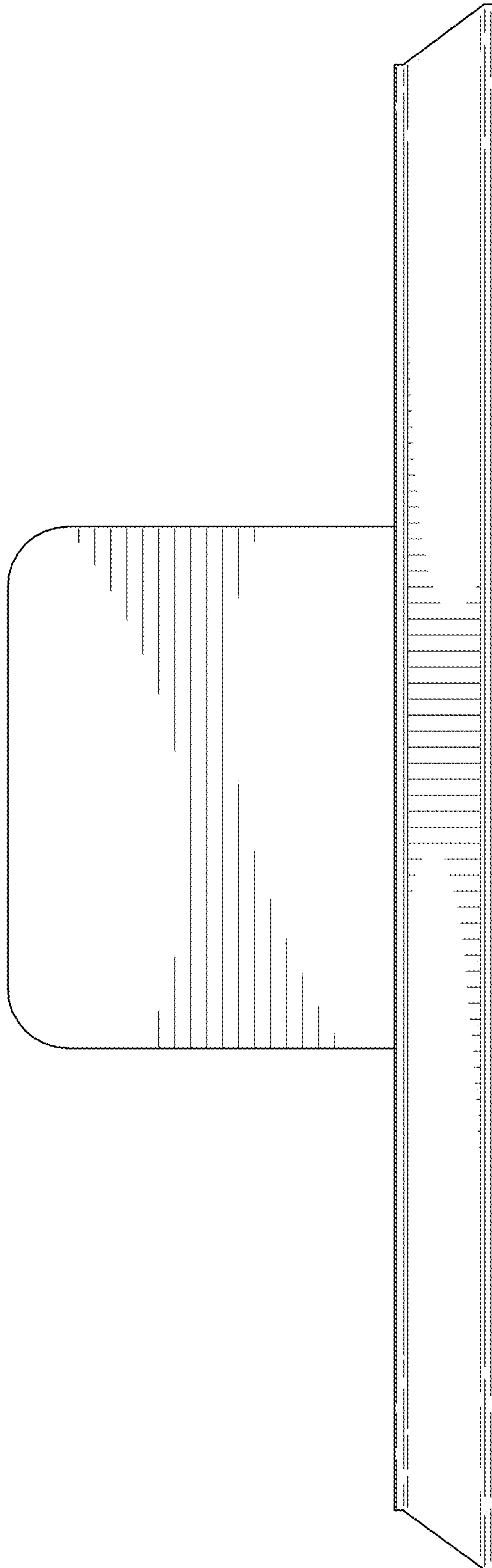


FIG. 7

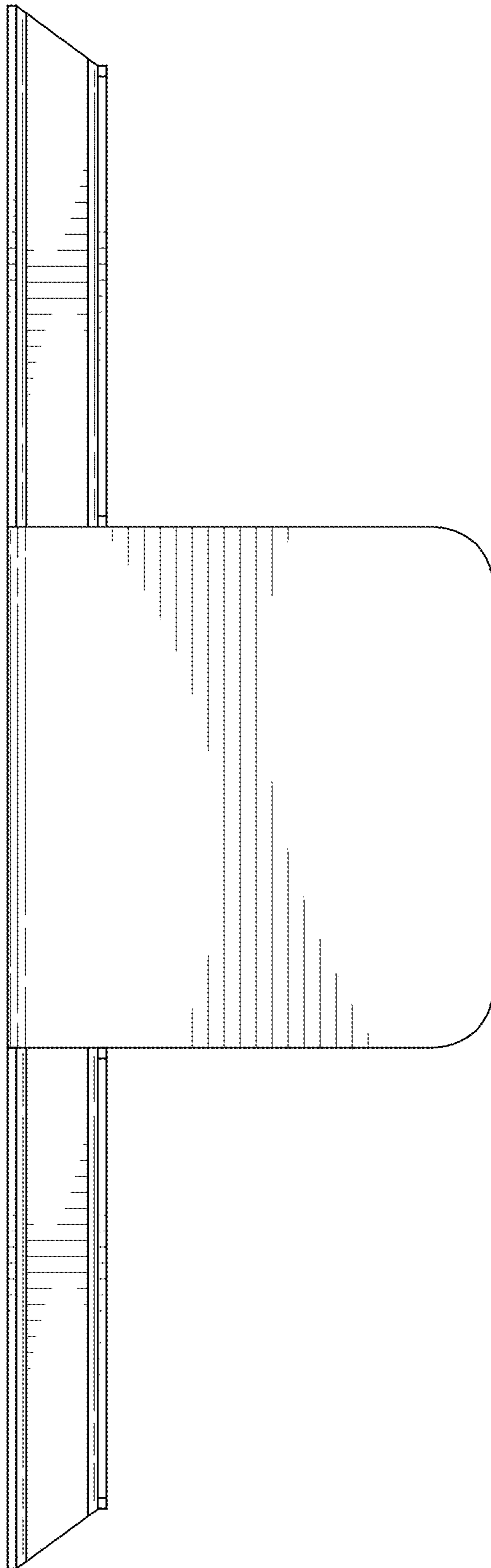


FIG. 8

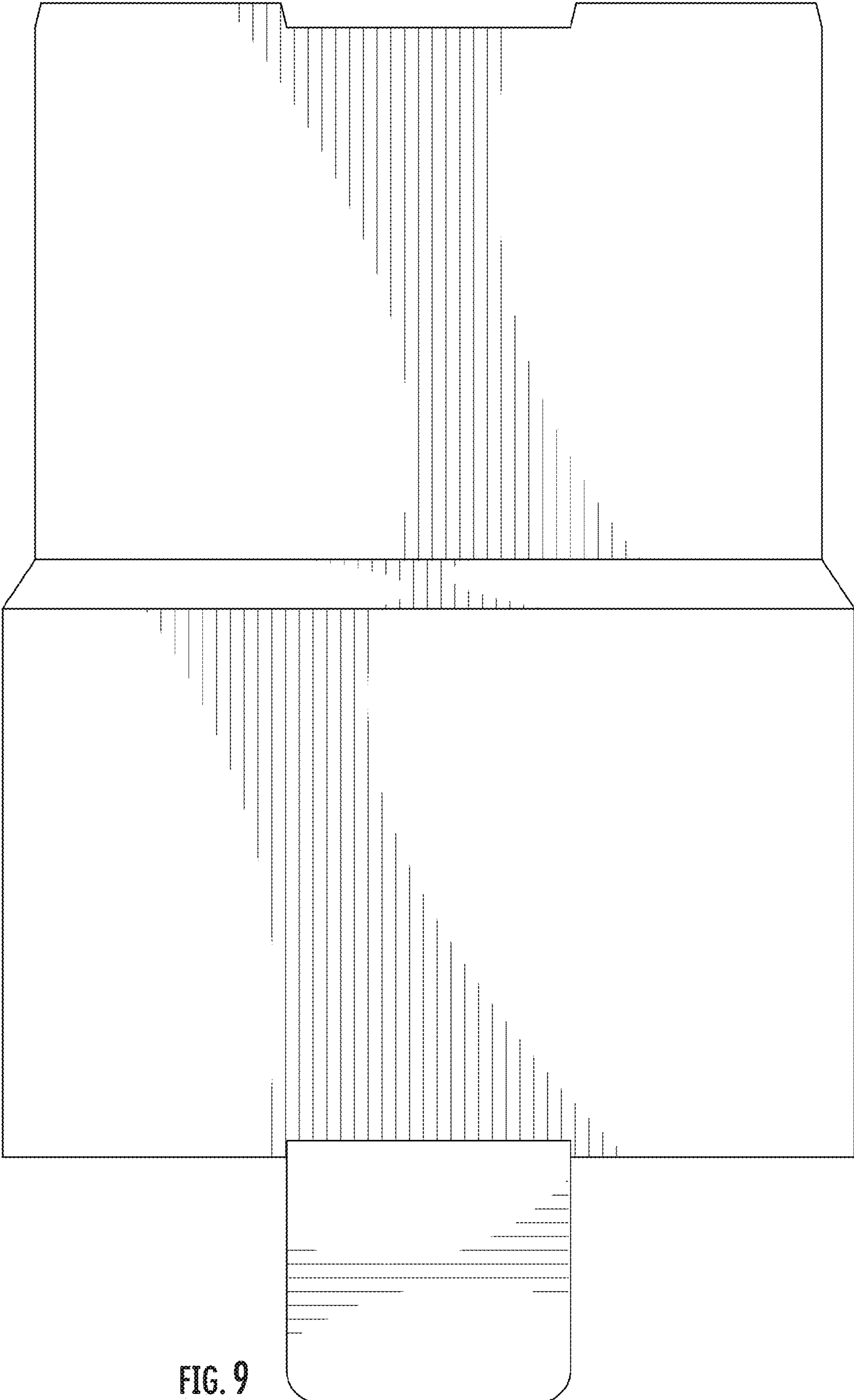


FIG. 9

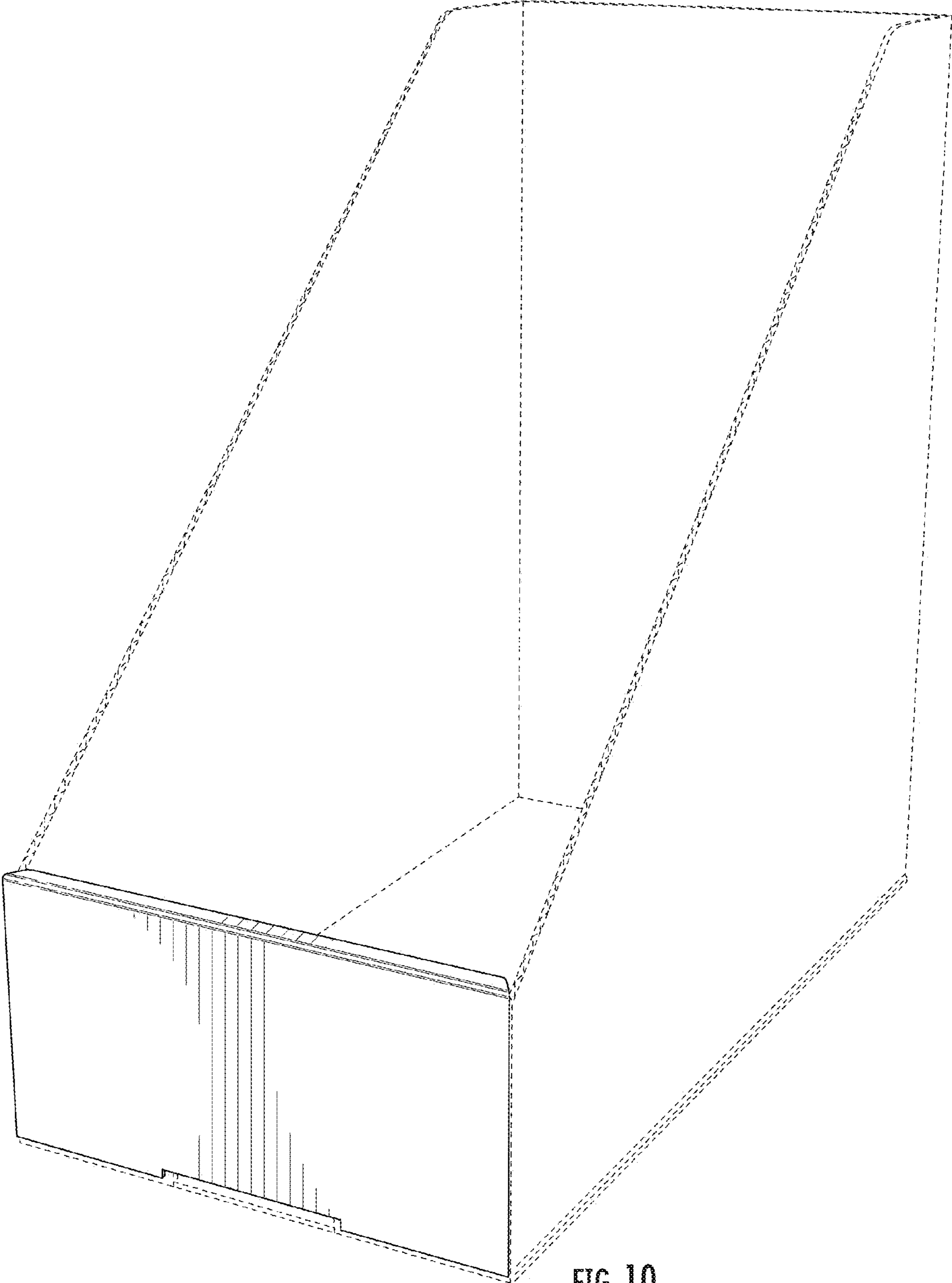


FIG. 10

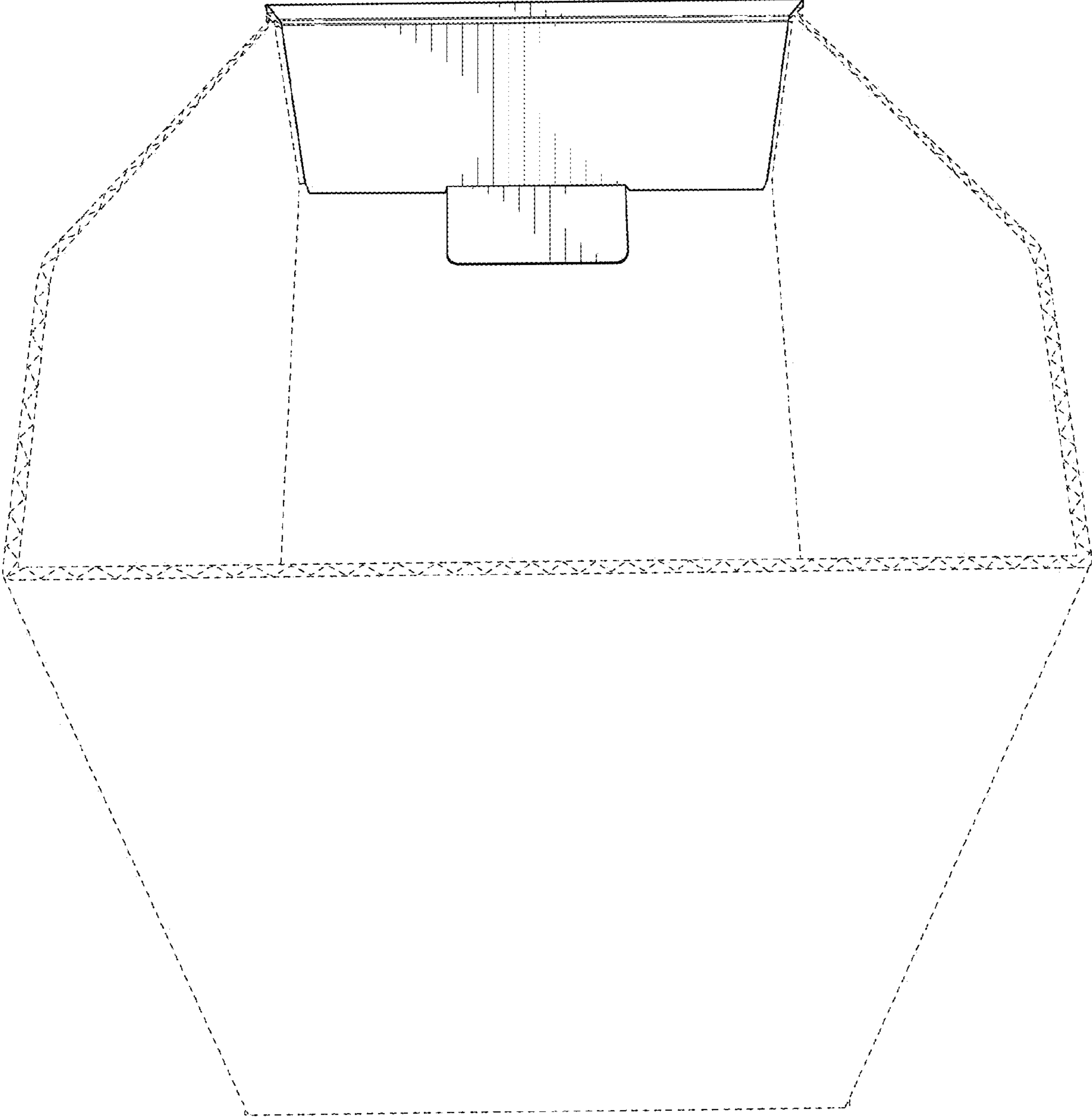


FIG. 11