



US00D959976S

(12) **United States Design Patent** (10) **Patent No.:** **US D959,976 S**
Resuello, Jr. et al. (45) **Date of Patent:** **** Aug. 9, 2022**

(54) **TOOL STORAGE DEVICE**
(71) Applicant: **Cricut, Inc.**, South Jordan, UT (US)
(72) Inventors: **Ildefonso M. Resuello, Jr.**, Sacramento, CA (US); **Thomas Crisp**, Cottonwood Heights, UT (US); **Grayson Stopp**, San Francisco, CA (US); **Joaquin Fernandez**, Oakland, CA (US)
(73) Assignee: **Cricut, Inc.**, South Jordan, UT (US)

D320,730 S * 10/1991 Ediger D8/71
D364,804 S * 12/1995 Pedersen-Rask D9/418
D382,998 S * 9/1997 Conigliaro D3/905
D388,329 S * 12/1997 Bright D9/414
D388,609 S * 1/1998 Chan D3/273
D426,062 S * 6/2000 Shui-Shang D3/315
D431,359 S * 10/2000 Lapidus D3/315
D475,618 S * 6/2003 Barnes D9/414
D484,795 S * 1/2004 Barnes D9/414
D498,673 S * 11/2004 Weiss D9/418
D551,964 S * 10/2007 Blasko D9/424
D604,605 S * 11/2009 Chung D9/432

(Continued)

(**) Term: **15 Years**

OTHER PUBLICATIONS

(21) Appl. No.: **29/731,037**
(22) Filed: **Apr. 10, 2020**
(51) **LOC (13) Cl.** **09-03**
(52) **U.S. Cl.**
USPC **D9/418**; D9/428; D8/71
(58) **Field of Classification Search**
USPC D9/414-418, 420, 423, 430, 424, 426, D9/432, 433, 499, 500, 700, 721, 722, D9/731, 753, 768, 770, 771, 428, 429, D9/431; D3/203.1-203.3, 210, 228, 905; D7/601, 602; D8/71, 499
CPC B65D 5/50; B65D 81/34; A45D 29/00
See application file for complete search history.

Youtube. Cricut Machine Tool Organizer Review. Posted May 4, 2020 by Debbie ONeal. Visited Oct. 26, 2021. https://www.youtube.com/watch?v=o1A_NGTHHU8 (Year: 2020).*

(Continued)

Primary Examiner — Darcey E Gottschalk
Assistant Examiner — Vanessa M. Pursley

(57) **CLAIM**

The ornamental design for a tool storage device, as shown and described.

DESCRIPTION

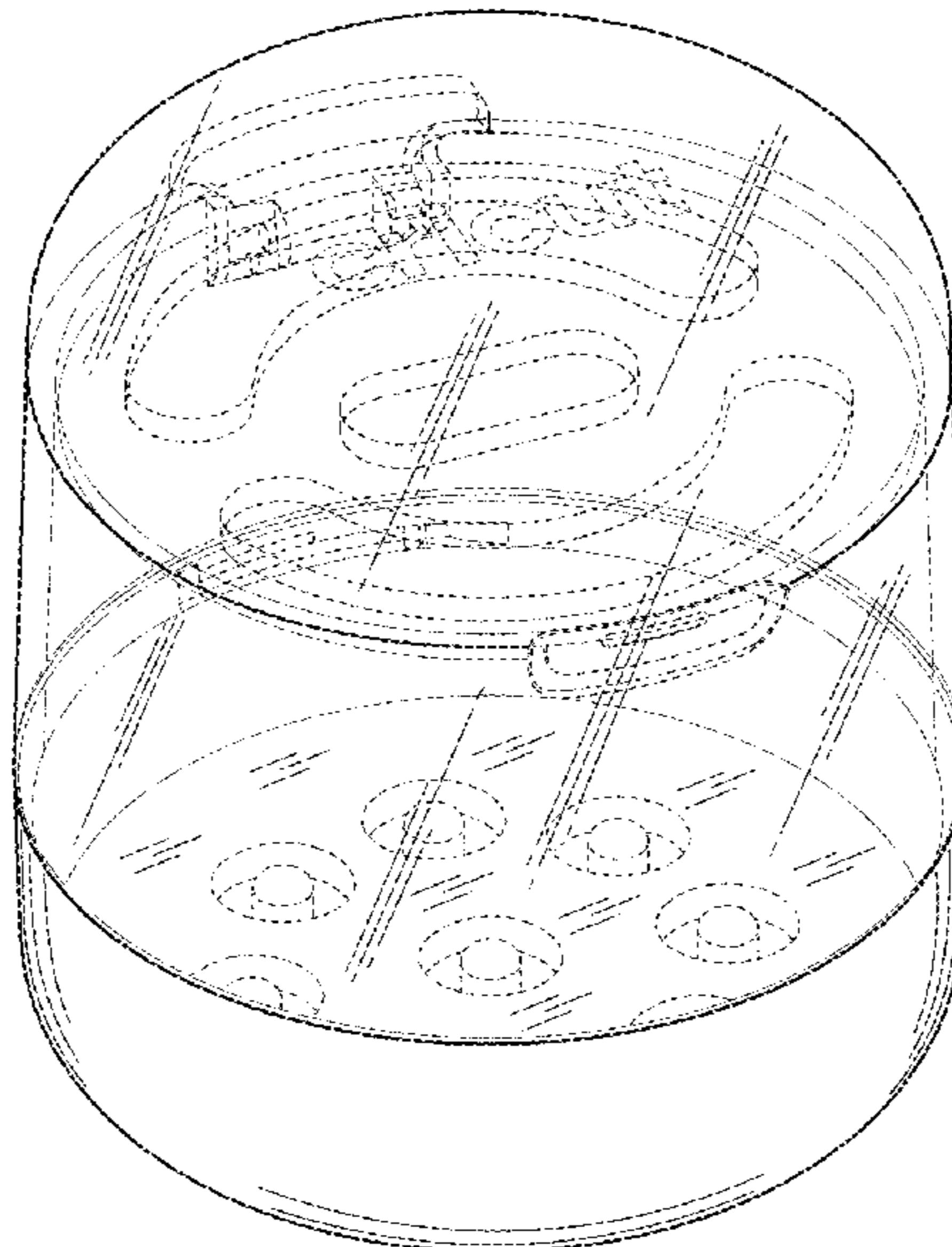
FIG. 1 is a front, top perspective view of a tool storage device;
FIG. 2 is a front elevation view thereof;
FIG. 3 is a rear elevation view thereof;
FIG. 4 is a left elevation view thereof;
FIG. 5 is a right elevation view thereof;
FIG. 6 is a top plan view thereof; and,
FIG. 7 is a bottom plan view thereof.
The broken dash lines shown in the drawings indicate portions of the tool storage device that form no part of the claimed design.

(56) **References Cited**

U.S. PATENT DOCUMENTS

D128,936 S * 8/1941 Foley D3/203.2
D157,154 S * 2/1950 Horton D3/274
3,107,007 A * 10/1963 Klein B65D 25/10
206/526
D224,816 S * 9/1972 Langworthy D3/905
D243,414 S * 2/1977 Vyskocil D21/392
D256,871 S * 9/1980 Snyder D6/680.2
D294,209 S * 2/1988 Havelka D8/71
D314,704 S * 2/1991 Lillelund D7/608
D315,095 S * 3/1991 Wright D9/415

1 Claim, 7 Drawing Sheets



(56)

References Cited

U.S. PATENT DOCUMENTS

D624,966 S * 10/2010 Crisp D19/85
 D635,849 S * 4/2011 Noer D9/428
 D684,851 S * 6/2013 Clark D9/414
 8,545,914 B1 * 10/2013 Mastroianni B65D 1/36
 426/115
 D736,087 S * 8/2015 Birgers D9/503
 D794,944 S * 8/2017 Martin D3/203.5
 D815,518 S * 4/2018 Safdie D9/504
 D834,723 S * 11/2018 Lianides D24/230
 D863,054 S * 10/2019 Wenck D9/420
 D875,518 S * 2/2020 Giwani D9/418
 D889,232 S * 7/2020 Qin D8/71
 D891,253 S * 7/2020 Smith D9/504
 D906,135 S * 12/2020 Fogarty D9/780
 D918,050 S * 5/2021 Smith D9/549
 D925,059 S * 7/2021 Yoo D24/217
 D930,186 S * 9/2021 Kim D24/229
 2018/0362215 A1 * 12/2018 Whetsel B65D 25/54
 2020/0113353 A1 * 4/2020 Bigioni A47F 3/145

OTHER PUBLICATIONS

Amazon. Zona 37-880 Bur Holder. First available Jun. 20, 2014.
 Visited Oct. 26, 2021. <https://www.amazon.com/Zona-37-880-Holder-8-Inch-32-Inch/dp/B000BRHG18> (Year: 2014).*

Amazon. Cricut Machine Tool Organizer. First available May 4, 2020. Visited Nov. 4, 2021. <https://www.amazon.com/Cricut-Machine-Tool-Organizer-Clear/dp/B086WPXPBD> (Year: 2020).*

* cited by examiner

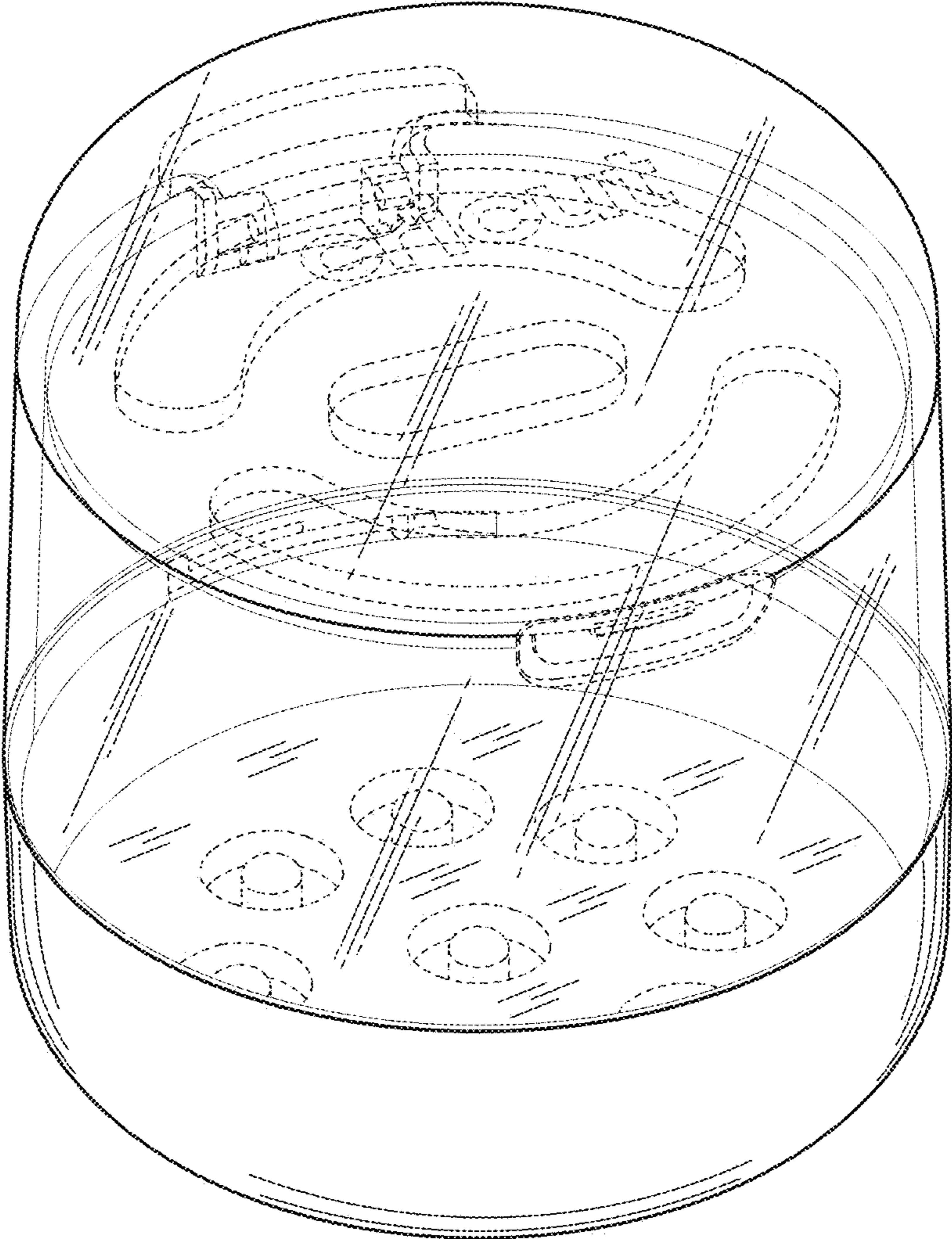


FIG. 1

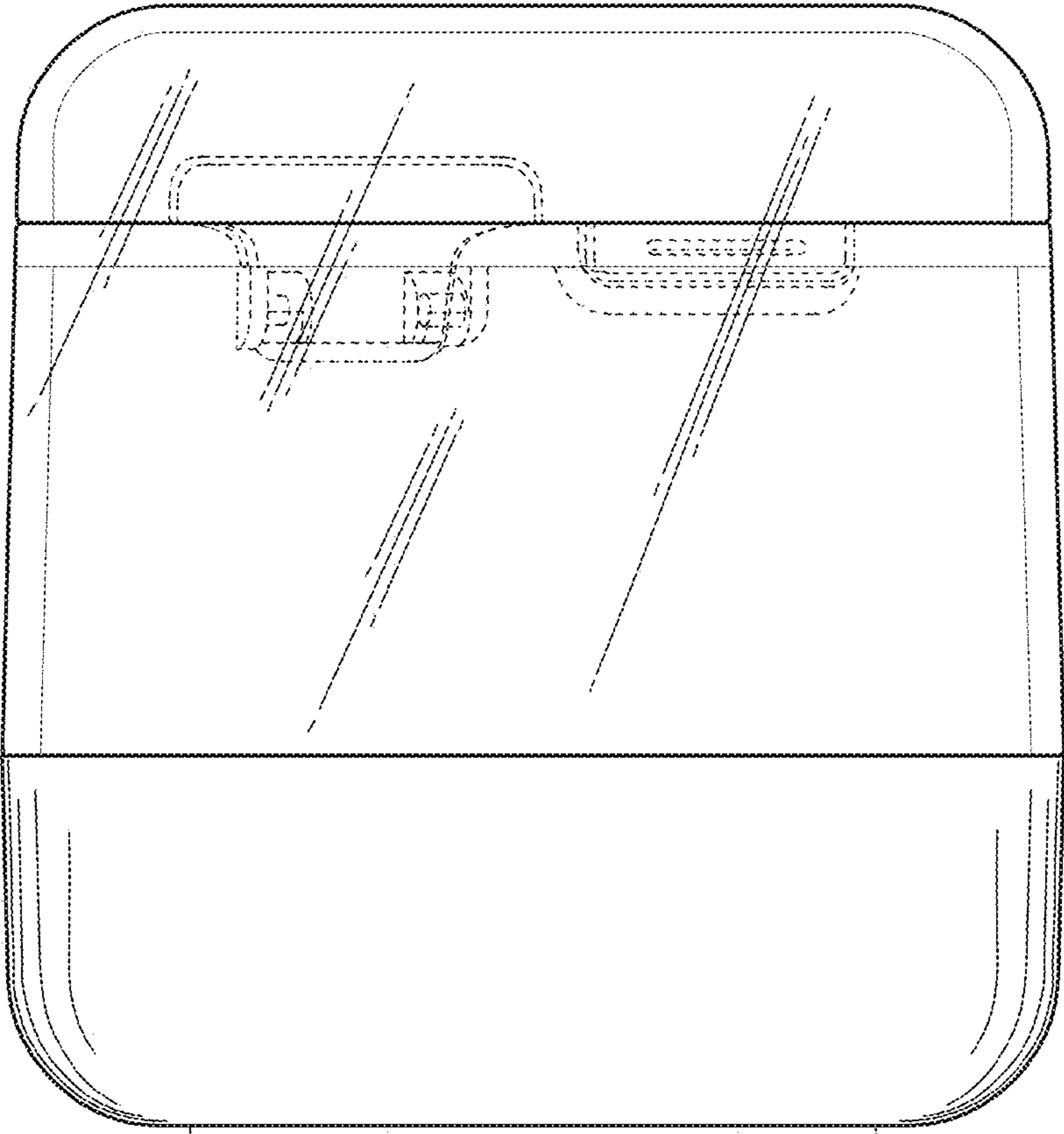


FIG. 2

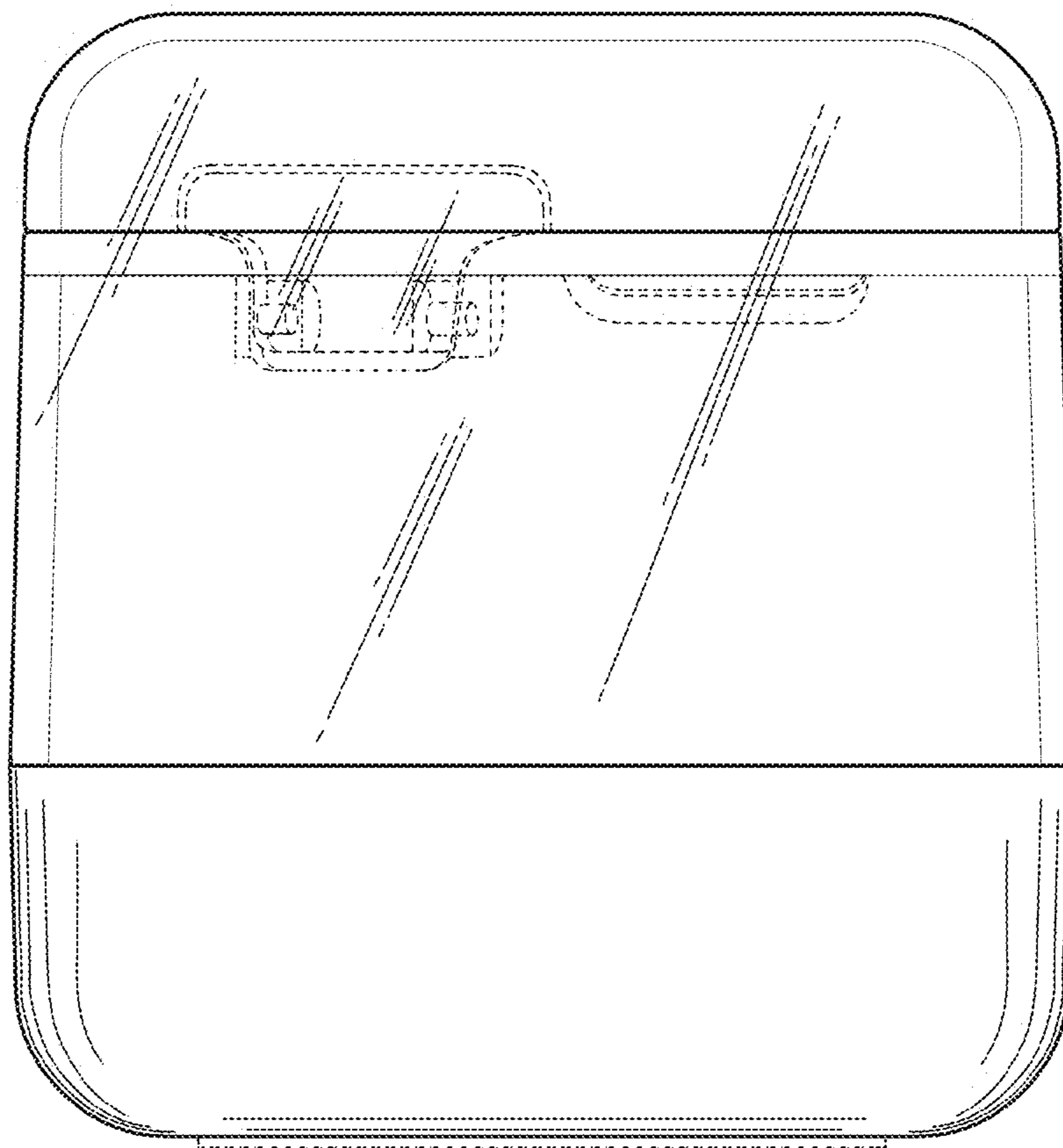


FIG. 3

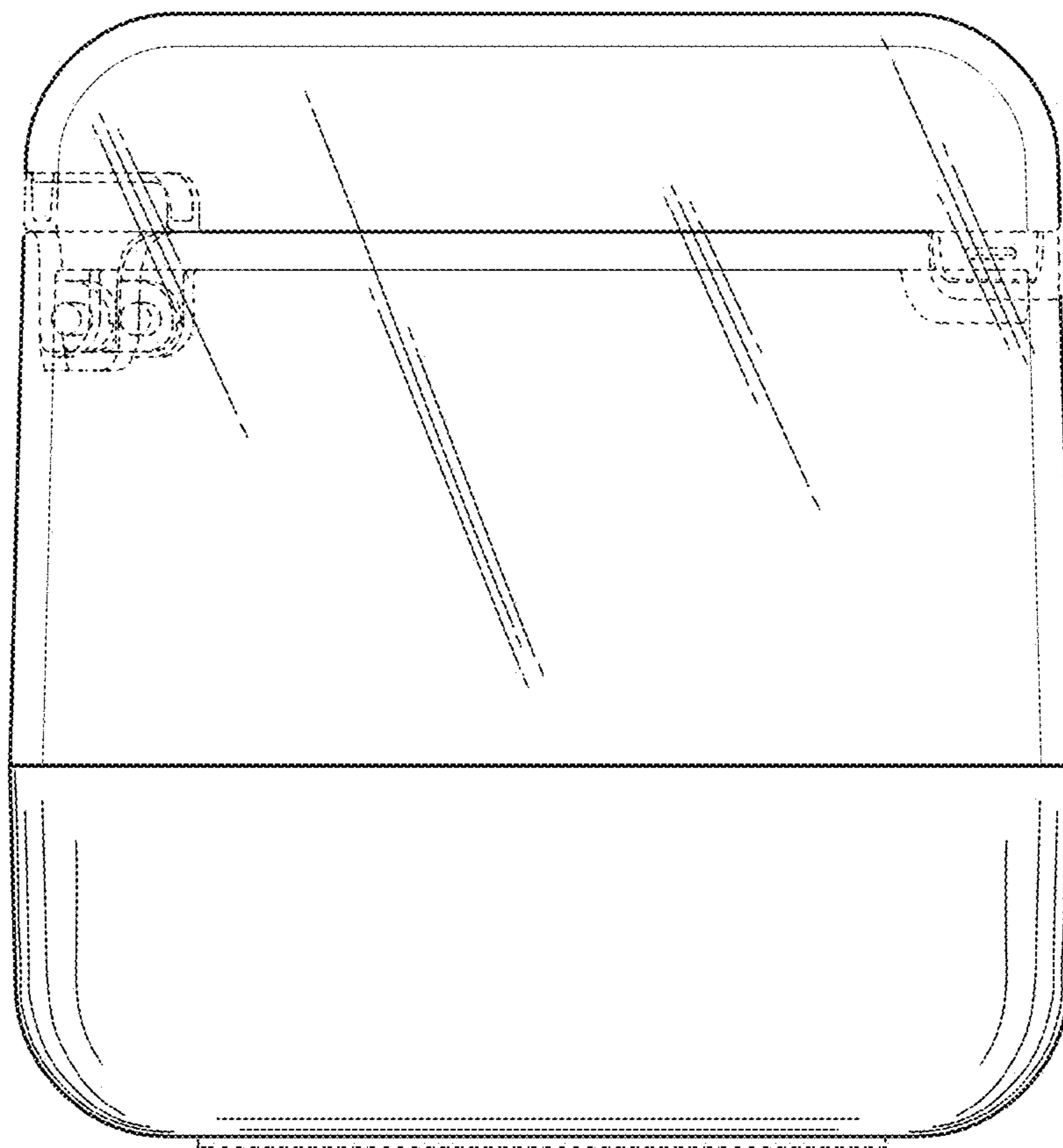


FIG. 4

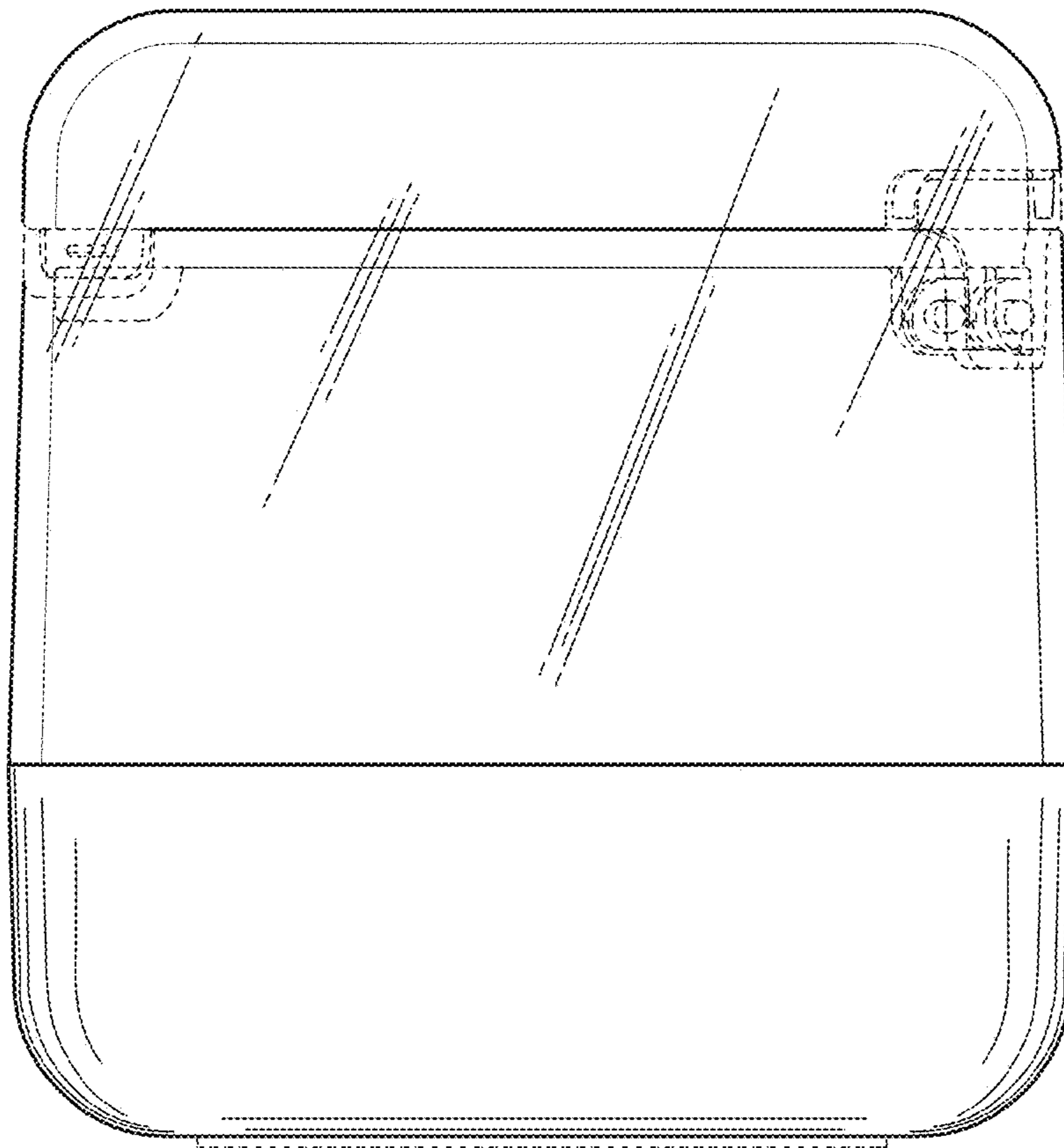


FIG. 5

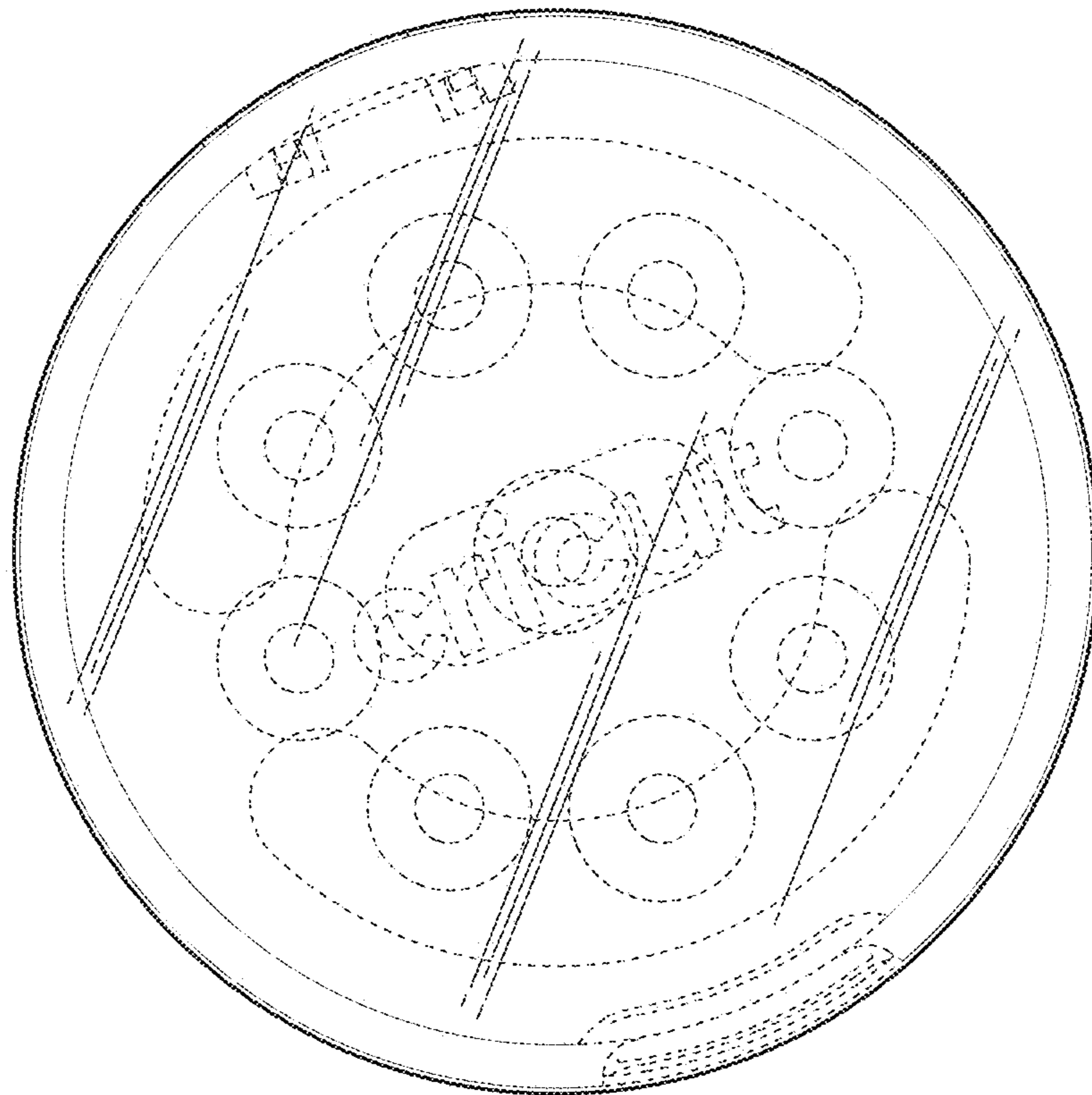


FIG. 6

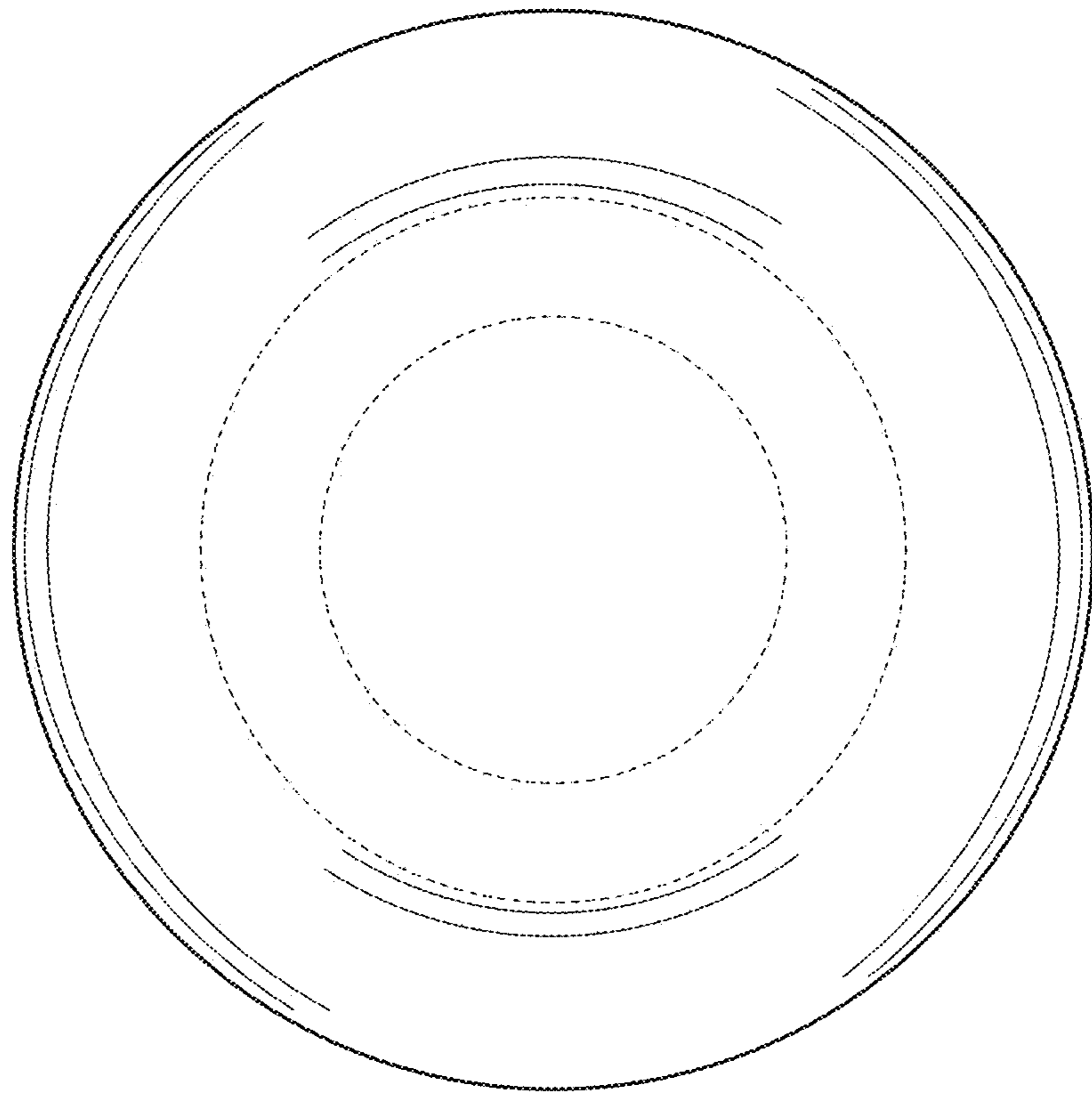


FIG. 7