



US00D959974S

(12) **United States Design Patent** (10) **Patent No.:** **US D959,974 S**  
**Kay** (45) **Date of Patent:** **\*\* Aug. 9, 2022**

(54) **BEVERAGE CAPSULE**

(71) Applicant: **Euro-Caps Holding B.V.**, Rotterdam (NL)

(72) Inventor: **Anthony Kay**, Rotterdam (NL)

(73) Assignee: **Euro-Caps Holding B.V.**, Rotterdam (NL)

(\*\*) Term: **15 Years**

(21) Appl. No.: **29/753,825**

(22) Filed: **Oct. 2, 2020**

(30) **Foreign Application Priority Data**

Apr. 2, 2020 (EM) ..... 007787346-0001  
Apr. 2, 2020 (EM) ..... 007787346-0002

(51) **LOC (13) Cl.** ..... **09-03**

(52) **U.S. Cl.**  
USPC ..... **D9/416**

(58) **Field of Classification Search**  
USPC ..... D3/17, 29; D7/368, 387, 389, 391, D7/392.1, 396.1, 396.2, 396.4, 397, 400, D7/514, 516, 519, 539, 544, 571, 573, D7/578; D9/414, 416, 417, 434, 435, D9/436, 439, 440, 441, 443, 445, 447, D9/448, 451, 452, 453, 454, 601, 682, D9/685, 686, 688, 690, 695, 707, 708, D9/709, 723, 724, 727; D23/206, 208, D23/209, 213, 223, 226, 259, 260, 261; D24/112, 121, 127, 162, 194, 196; D28/4, 76, 79, 80, 81, 82, 84, 85, 87, D28/91.1; D6/542; D11/152  
CPC ..... B65D 85/8064; B65D 85/8043; B65D 77/20; B65D 25/48; B65D 2543/00046; B65D 2543/00092; B65D 2585/56; B65D 2585/545; A47J 31/407; A47J 31/04; A47J 31/10; A47J 31/24; A23F 5/24; B05B 11/0032; B05B 11/0027; B05B 11/3004; B05B 11/3015; B05B 11/306;

B05B 11/3064; B05B 11/3059; B65B 29/06; A45D 33/24; A45D 33/26; A45D 33/28; A45D 40/00; A45D 40/20; A45D 40/24; A45D 40/02; A45D 40/06; A45D 40/18; A45D 40/262; A45D 34/00; A45D 34/04; A45D 34/06; A45D 34/041

See application file for complete search history.

(56) **References Cited**

U.S. PATENT DOCUMENTS

D253,082 S \* 10/1979 Moncrief ..... D23/209  
D522,862 S \* 6/2006 Owens ..... D9/452  
D606,363 S \* 12/2009 Aardenburg ..... D7/400  
D724,430 S \* 3/2015 Tahara ..... D9/452

(Continued)

OTHER PUBLICATIONS

Belmio Decaf Vanilla: Site Visited [Mar. 17, 2022]. Available from Internet URL: <https://www.belmio.com/en/product/35>.\*

(Continued)

*Primary Examiner* — Catherine S Posthauer  
(74) *Attorney, Agent, or Firm* — Troutman Pepper Hamilton Sanders LLP; Ryan A. Schneider

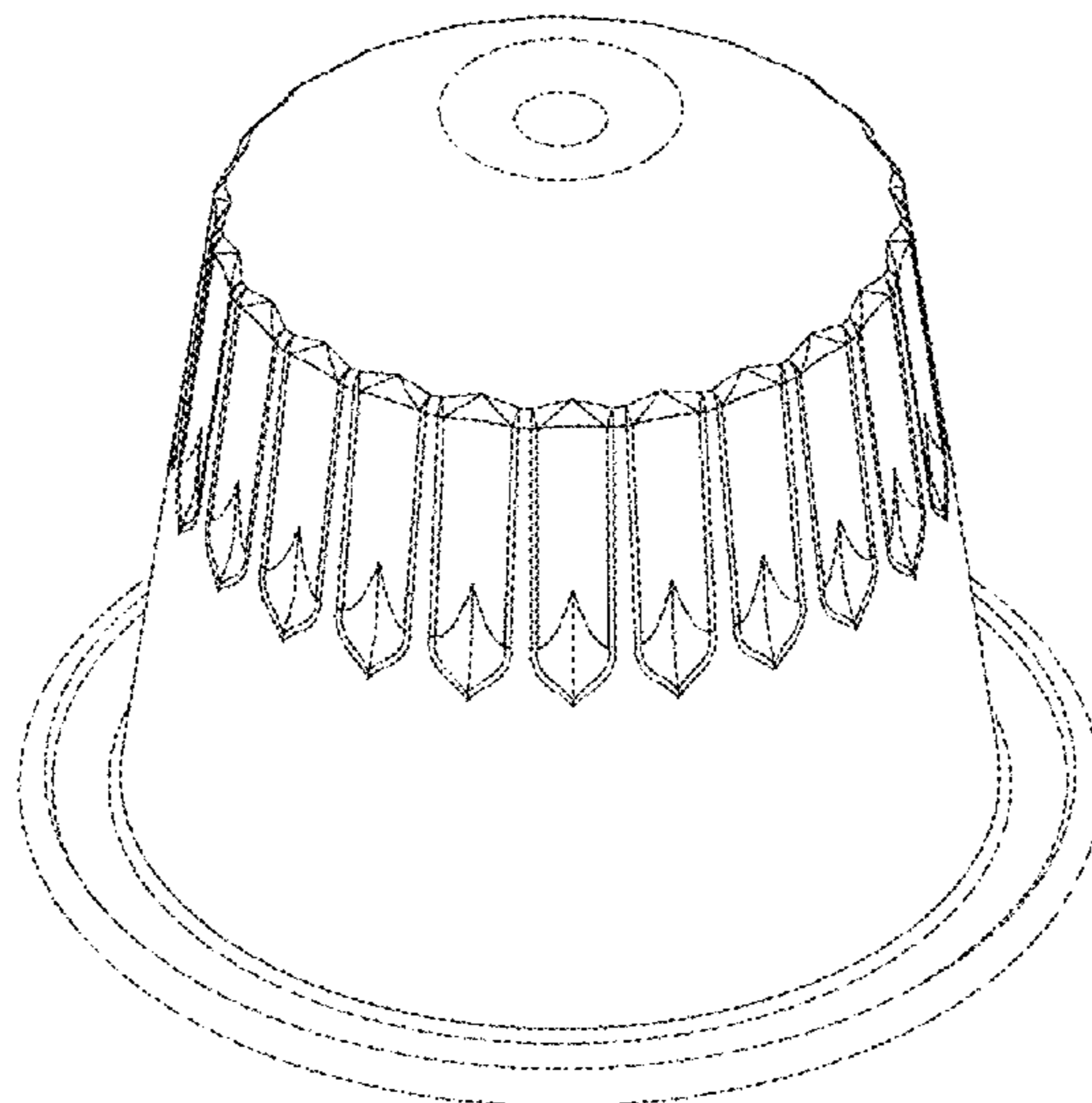
(57) **CLAIM**

The ornamental design for a beverage capsule, as shown and described.

**DESCRIPTION**

FIG. 1 is a perspective view of my new design for a beverage capsule;  
FIG. 2 is a side elevation view thereof, the side view being rotationally symmetric about a central vertical axis; and,  
FIG. 3 is a bottom plan view thereof.  
The broken lines depict portions of the beverage capsule that form no part of the claimed design.

**1 Claim, 3 Drawing Sheets**



(56)

References Cited

U.S. PATENT DOCUMENTS

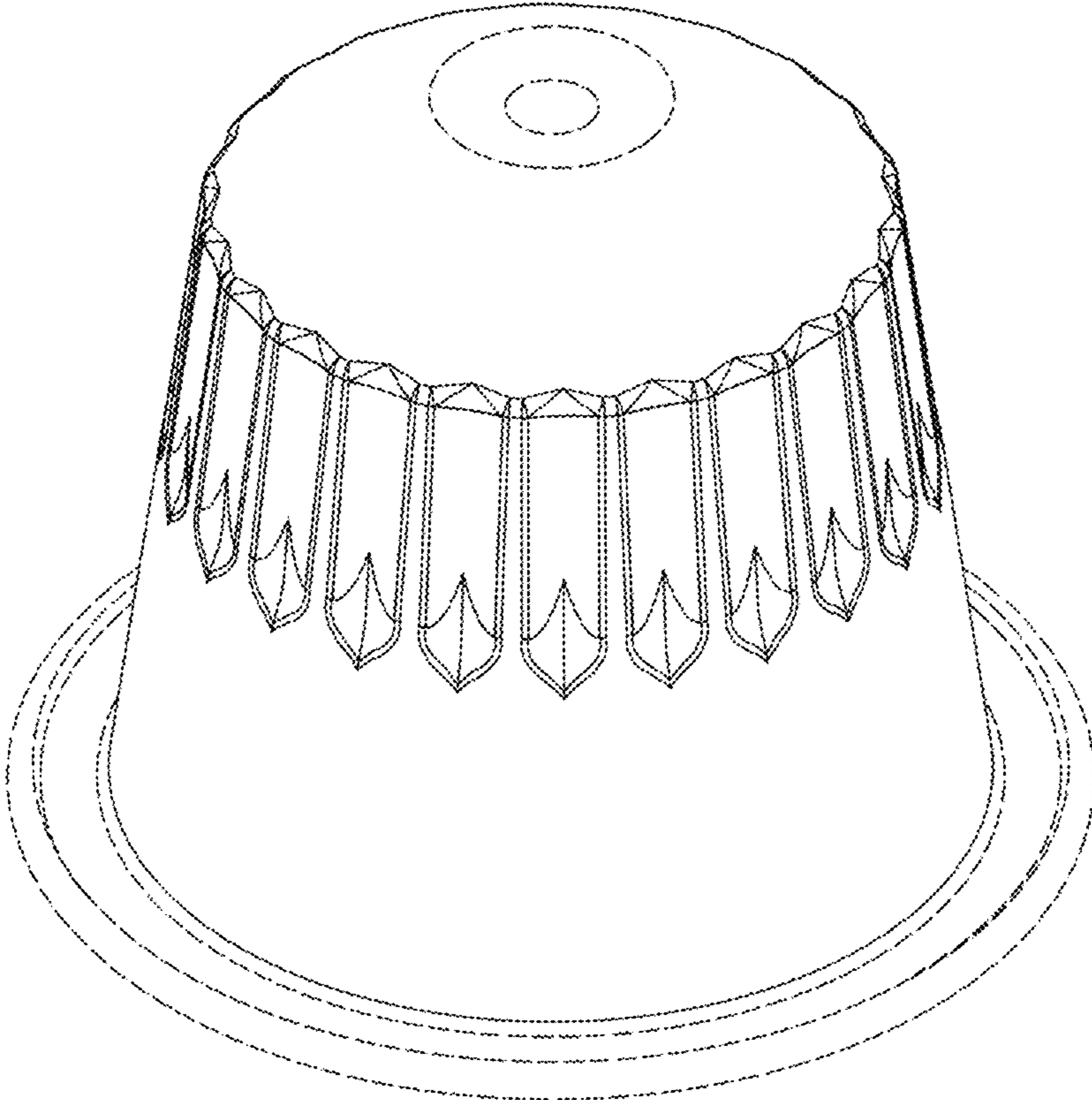
D733,554 S \* 7/2015 Rubinstein ..... D9/416  
 D736,614 S \* 8/2015 Rapparini ..... D9/416  
 D745,386 S \* 12/2015 Covey ..... D9/416  
 D745,824 S \* 12/2015 Ritter ..... D9/416  
 D751,385 S \* 3/2016 Rapparini ..... D9/500  
 D753,954 S \* 4/2016 Schreiber ..... D7/630  
 D766,078 S \* 9/2016 Hansen ..... D9/416  
 D774,888 S \* 12/2016 Gerber ..... D9/416  
 D791,534 S \* 7/2017 Bueno ..... D7/400  
 D796,325 S \* 9/2017 Miller ..... D9/434  
 D796,898 S \* 9/2017 Robotti ..... D7/400  
 D797,502 S \* 9/2017 Robotti ..... D7/400  
 D797,503 S \* 9/2017 Robotti ..... D7/400  
 D822,430 S \* 7/2018 Hansen ..... D7/400  
 D844,379 S \* 4/2019 Simonazzi ..... D7/400  
 D845,705 S \* 4/2019 Simonazzi ..... D7/400  
 D864,707 S \* 10/2019 Valsecchi ..... D9/416  
 D880,289 S \* 4/2020 Valsecchi ..... D9/416  
 D886,582 S \* 6/2020 Harif ..... D9/425  
 D889,907 S \* 7/2020 Braukmann ..... D7/400  
 D898,510 S \* 10/2020 Lee ..... D7/397  
 D908,480 S \* 1/2021 Held ..... D9/416  
 D909,195 S \* 2/2021 Papaioannou ..... D9/414  
 D917,275 S \* 4/2021 Gallay ..... D9/416  
 D927,250 S \* 8/2021 Kruger ..... D7/400  
 D938,817 S \* 12/2021 Gort-Barten ..... D9/416  
 2015/0183575 A1 \* 7/2015 Doglioni Majer . B65D 85/8046  
 426/115

2015/0298897 A1 \* 10/2015 Kay ..... B65D 85/8043  
 426/115  
 2016/0039601 A1 \* 2/2016 Doglioni Majer .... A47J 31/407  
 426/112  
 2016/0311608 A1 \* 10/2016 Accursi ..... A47J 31/3628  
 2017/0042362 A1 \* 2/2017 Bunner ..... B65D 85/8043  
 2017/0247179 A1 \* 8/2017 Rubinstein ..... A47J 31/407  
 2017/0367521 A1 \* 12/2017 Conant ..... B65D 1/265  
 2018/0148251 A1 \* 5/2018 Kay ..... A47J 31/04  
 2020/0047984 A1 \* 2/2020 Halliday ..... B65D 85/8043  
 2021/0245914 A1 \* 8/2021 Eickhoff ..... B32B 7/12  
 2021/0245950 A1 \* 8/2021 Heukamp ..... B65D 85/8064  
 2021/0347556 A1 \* 11/2021 Behrmann ..... B65D 85/8043  
 2021/0354908 A1 \* 11/2021 Oh ..... B65D 85/8061  
 2022/0061580 A1 \* 3/2022 Noordhuis ..... B65D 85/8043  
 2022/0073268 A1 \* 3/2022 Kamerbeek ..... A47J 31/3623

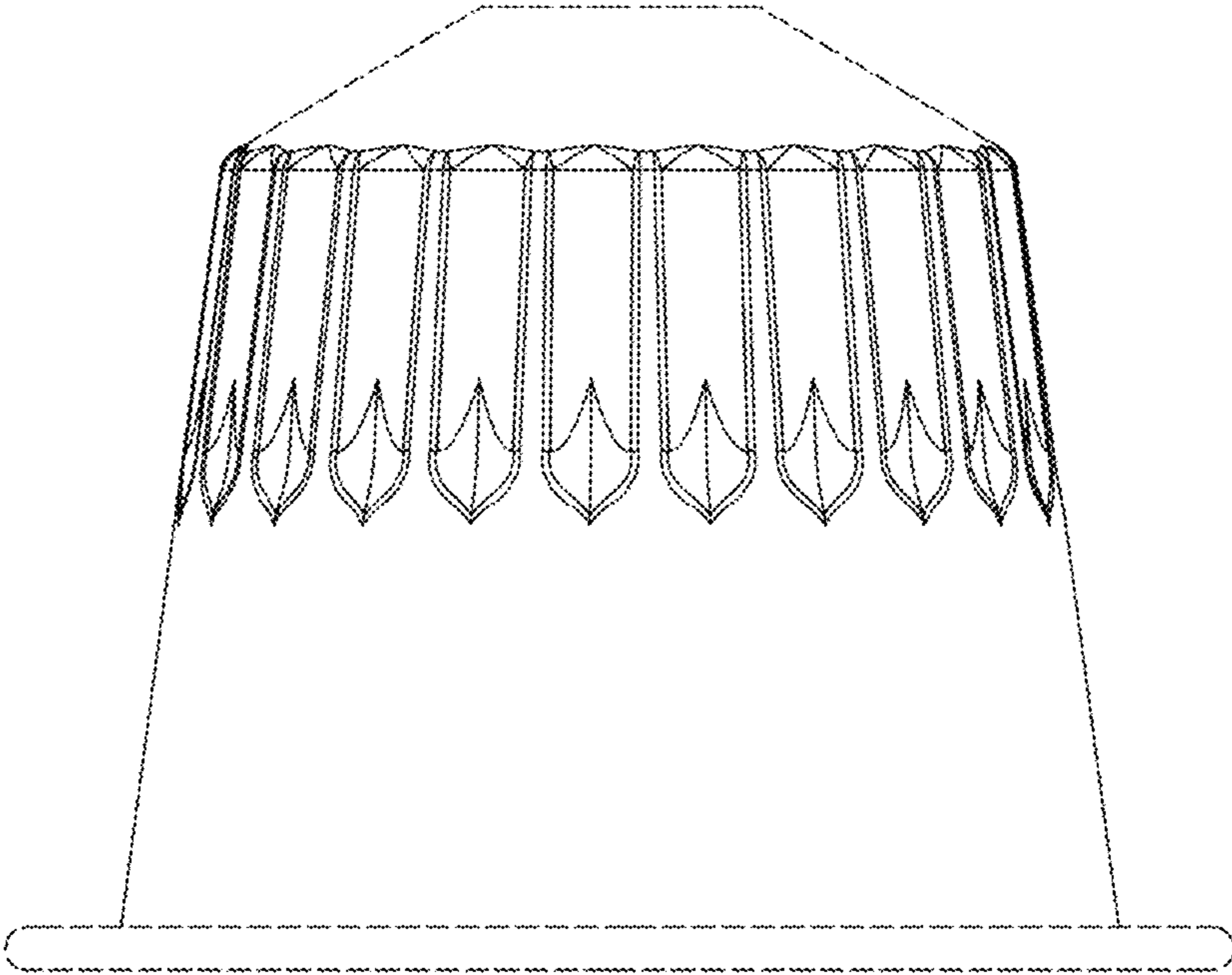
OTHER PUBLICATIONS

Belmio Chocolate: Site Visited [Mar. 17, 2022]. Available from Internet URL: <https://www.belmio.com/en/product/Esspresso-Chocolate>.  
 Nespresso Capsules: Announced Nov. 1, 2021 [online]. Site Visited [Mar. 17, 2022]. Available from Internet URL: <https://www.turbosquid.com/3d-models/3d-capsules-nespresso-model-1809630>.  
 Euro Caps: Announced Aug. 23, 2021 [online]. Site Visited [Mar. 17, 2022]. Available from Internet URL: <https://euro-caps.nl/product/nespresso-r-compatible>.

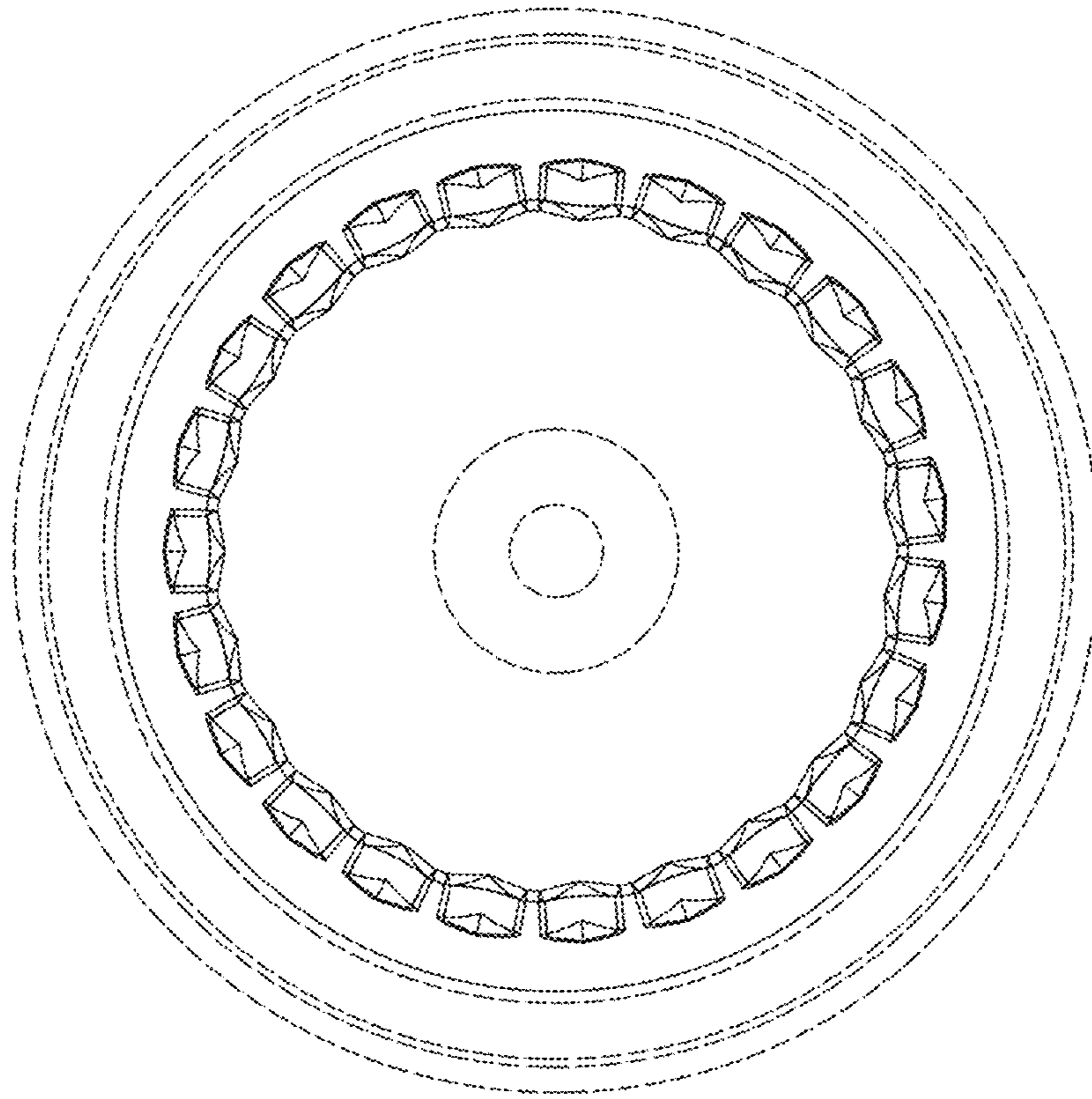
\* cited by examiner



**FIG. 1**



**FIG. 2**



**FIG. 3**