



US00D959972S

(12) **United States Design Patent**  
**Hikoyama**

(10) **Patent No.:** **US D959,972 S**  
(45) **Date of Patent:** **\*\* Aug. 9, 2022**

(54) **PIPE CLAMP**

**DESCRIPTION**

- (71) Applicant: **Atsushi Hikoyama**, Tokyo (JP)
- (72) Inventor: **Atsushi Hikoyama**, Tokyo (JP)
- (\*\*) Term: **15 Years**
- (21) Appl. No.: **29/714,733**
- (22) Filed: **Nov. 25, 2019**
- (51) **LOC (13) Cl.** ..... **08-08**
- (52) **U.S. Cl.**  
USPC ..... **D8/396**
- (58) **Field of Classification Search**  
USPC ..... D8/394-396; D3/215, 247; D20/22, 28;  
D19/10; D23/262

(Continued)

(56) **References Cited**

**U.S. PATENT DOCUMENTS**

- 3,463,428 A \* 8/1969 Kindorf ..... F16L 3/227  
248/74.5
- 4,044,428 A \* 8/1977 Kowalski ..... F16L 3/243  
248/74.4

(Continued)

**FOREIGN PATENT DOCUMENTS**

- CN 304343762 \* 11/2017

**OTHER PUBLICATIONS**

Strut Pipe Clamp, BC Fasteners website 2022, site visited Jun. 11, 2022, <https://bcfasteners.com/shop/strut-2-piece-galvanized-pipe-clamp/>.\*

*Primary Examiner* — John R Yeh

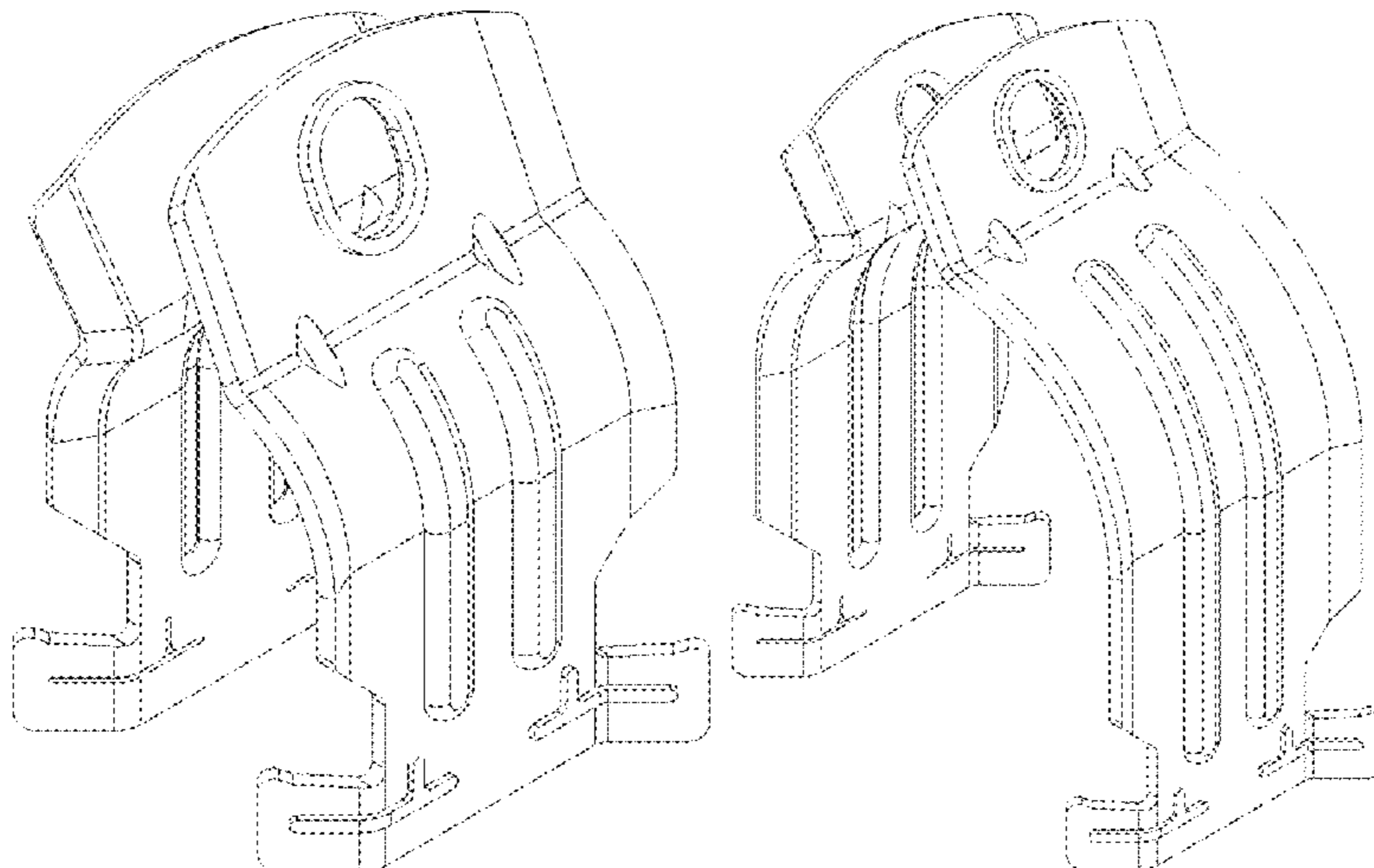
(74) *Attorney, Agent, or Firm* — Tracy M. Heims; Apex Juris, pllc.

(57) **CLAIM**

The ornamental design for a pipe clamp, as shown and described.

FIG. 1 is an elevated perspective view of a short pipe clamp. FIG. 2 is an opposite elevated perspective view of the short pipe clamp. FIG. 3 is a front view of the short pipe clamp. FIG. 4 is a rear view of the short pipe clamp. FIG. 5 is a top view of the short pipe clamp. FIG. 6 is a bottom view of the short pipe clamp. FIG. 7 is a side view of the short pipe clamp. FIG. 8 is an opposite side view of the short pipe clamp. FIG. 9 is an elevated perspective view of a middle size pipe clamp. FIG. 10 is an opposite elevated perspective view of the middle size pipe clamp. FIG. 11 is a front view of the middle size pipe clamp. FIG. 12 is a rear view of the middle size pipe clamp. FIG. 13 is a top view of the middle size pipe clamp. FIG. 14 is a bottom view of the middle size pipe clamp. FIG. 15 is a side view of the middle size pipe clamp. FIG. 16 is an opposite side view of the middle size pipe clamp. FIG. 17 is an elevated perspective view of a large size pipe clamp. FIG. 18 is an opposite elevated perspective view of the large size pipe clamp. FIG. 19 is a front view of the large size pipe clamp. FIG. 20 is a rear view of the large size pipe clamp. FIG. 21 is a top view of the large size pipe clamp. FIG. 22 is a bottom view of the large size pipe clamp. FIG. 23 is a side view of the large size pipe clamp. FIG. 24 is an opposite side view of the large size pipe clamp. FIG. 25 is an elevated perspective view of the middle size pipe clamp with a screw; and, FIG. 26 is an opposite elevated perspective view of the middle size pipe clamp assembled with a screw and a channel to hold a pipe. The broken lines depict environment of the pipe clamp that form no part of the claimed design.

**1 Claim, 26 Drawing Sheets**



(58) **Field of Classification Search**

CPC . A45F 5/02; A45F 5/021; A45F 5/004; A44C  
3/001; A61B 46/23; B65D 63/1027; F16L  
3/127; F16L 3/12

See application file for complete search history.

(56) **References Cited**

U.S. PATENT DOCUMENTS

4,157,800 A \* 6/1979 Senter ..... F16L 3/10  
24/23 EE  
D340,720 S \* 10/1993 Yoder ..... D8/396  
5,855,342 A \* 1/1999 Hawkins ..... F16L 3/243  
248/68.1  
D538,148 S \* 3/2007 Dinh ..... F16L 3/243  
D8/396  
D728,753 S \* 5/2015 Hikoyama ..... F16L 3/243  
D23/265  
D742,213 S \* 11/2015 Sasanecki ..... D8/396  
D747,181 S \* 1/2016 Hikoyama ..... D8/394  
D813,660 S \* 3/2018 Tyner ..... A47F 1/04  
D8/396  
D866,310 S \* 11/2019 Hikoyama ..... D8/394  
2009/0134282 A1 \* 5/2009 Grim, Sr. .... F16L 3/127  
248/56  
2009/0272856 A1 \* 11/2009 Azuma ..... F16L 3/04  
248/49

\* cited by examiner

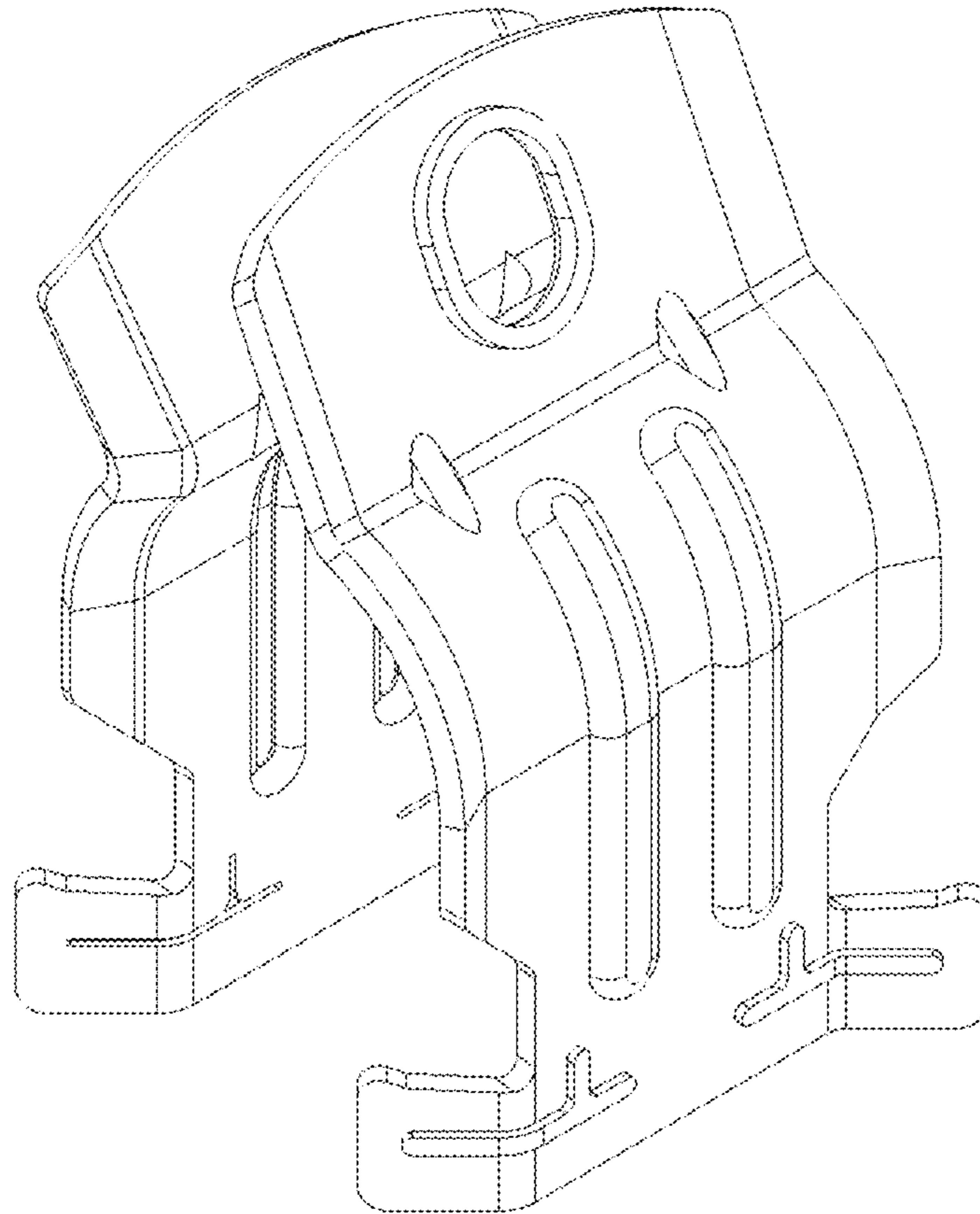


FIG. 1

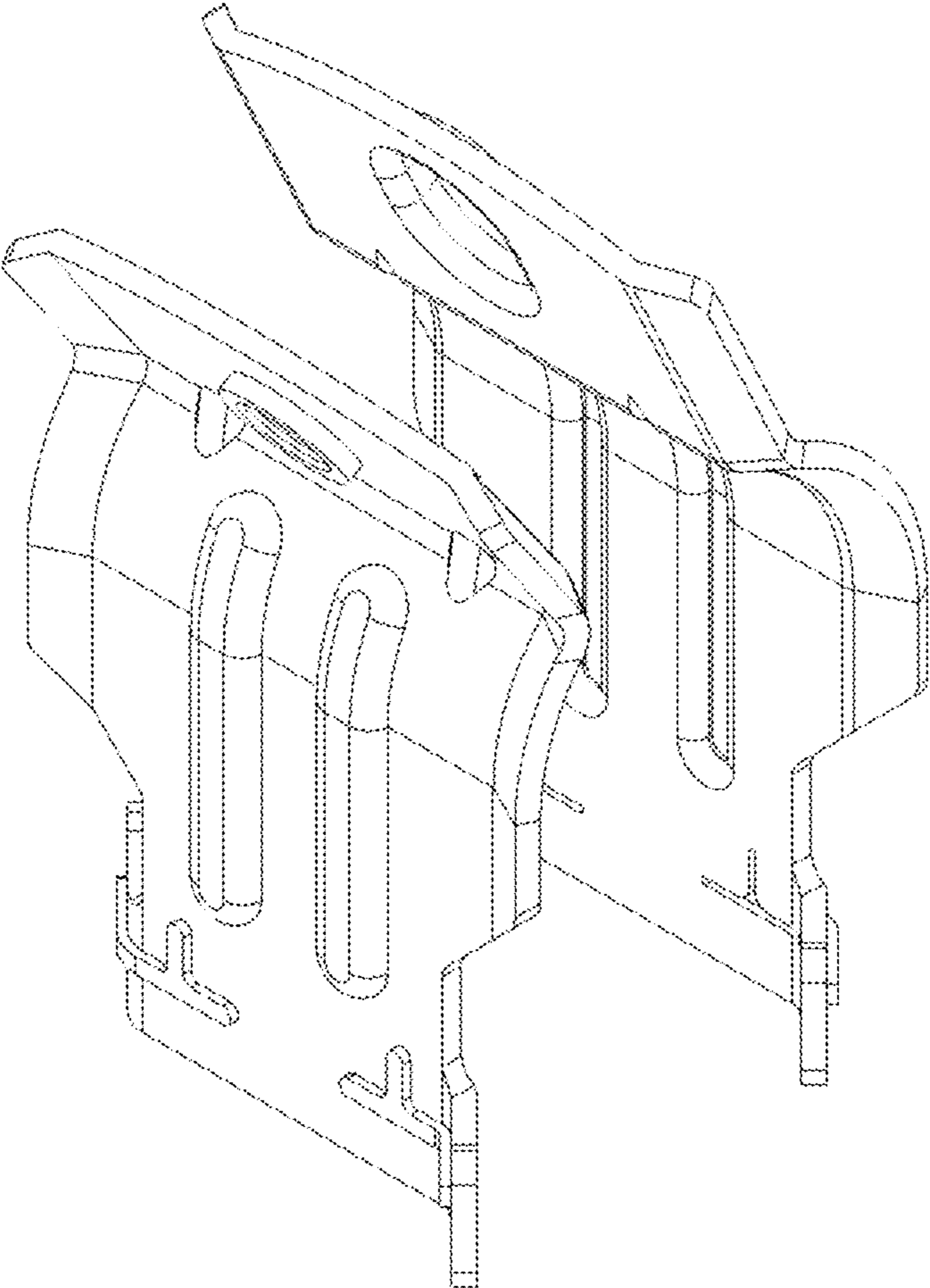


FIG. 2

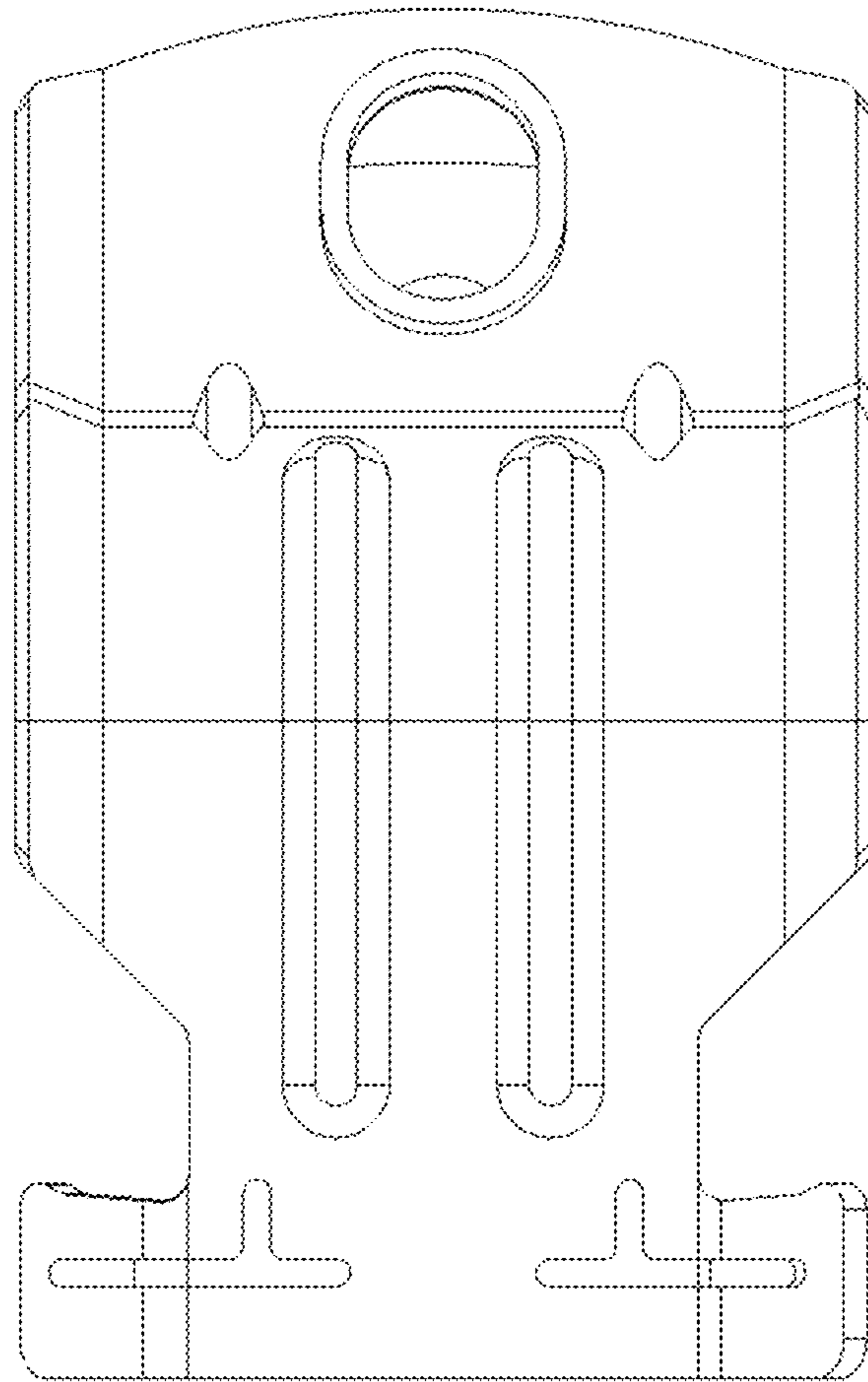


FIG. 3



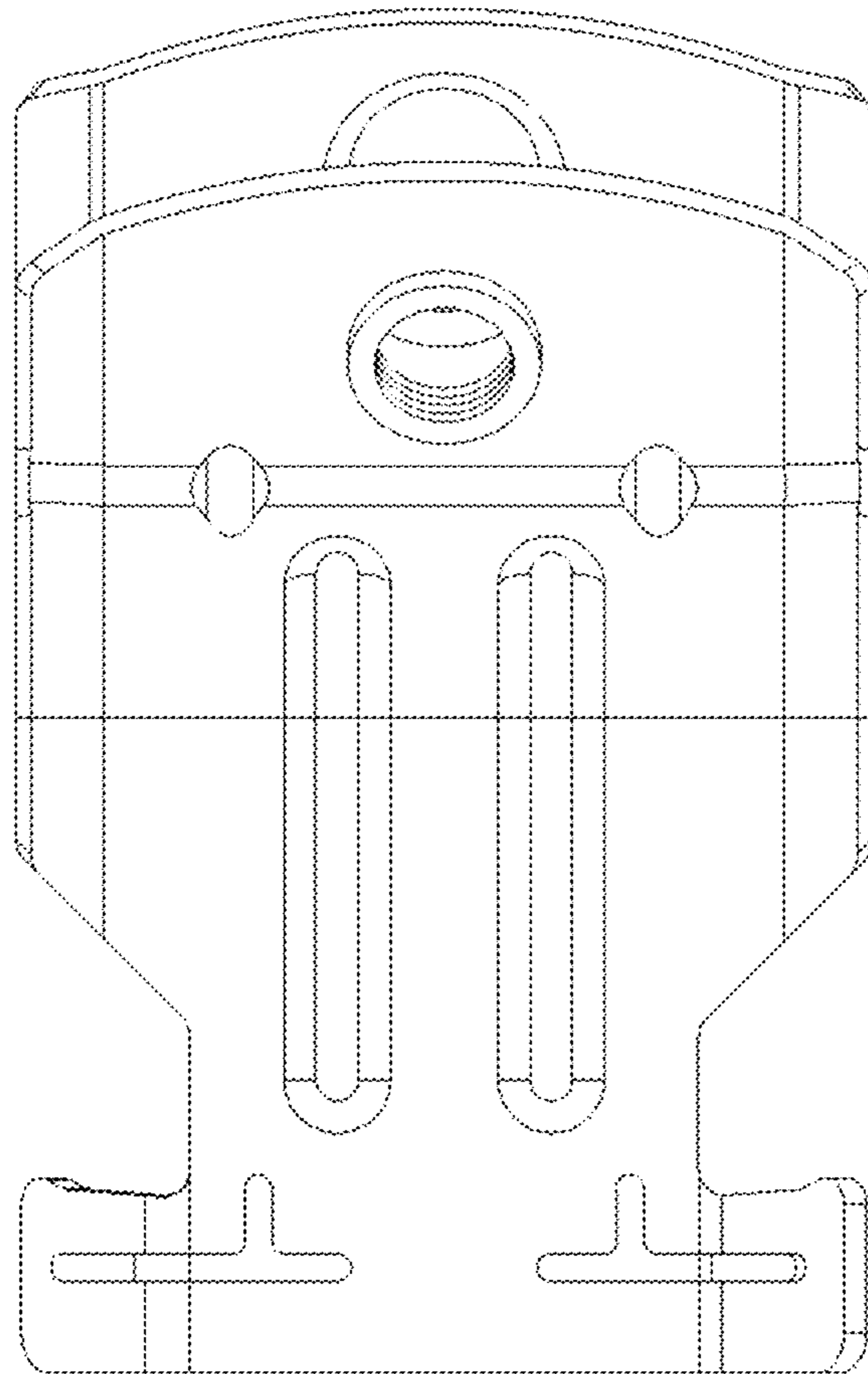


FIG. 4

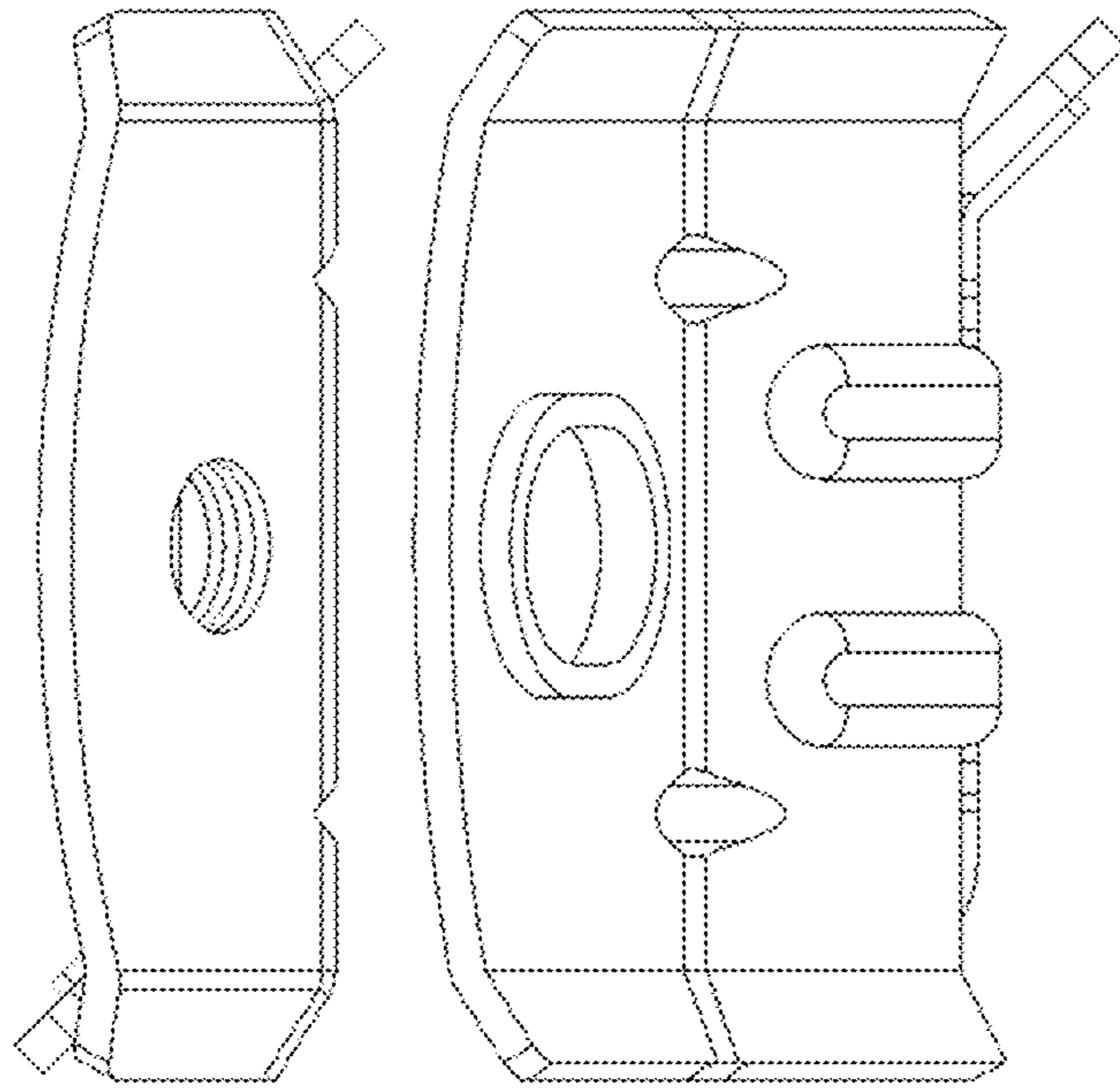


FIG. 5

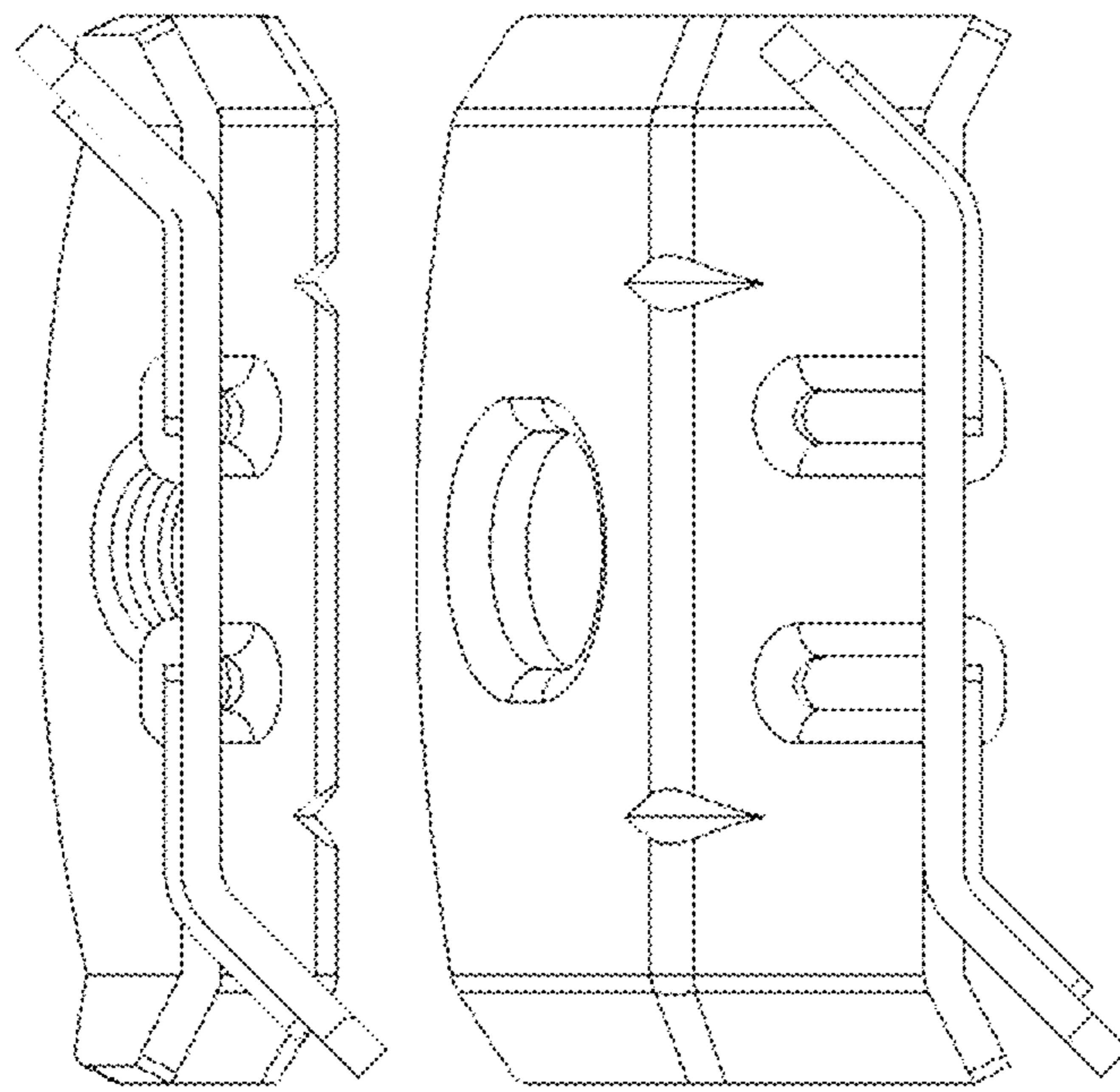


FIG. 6



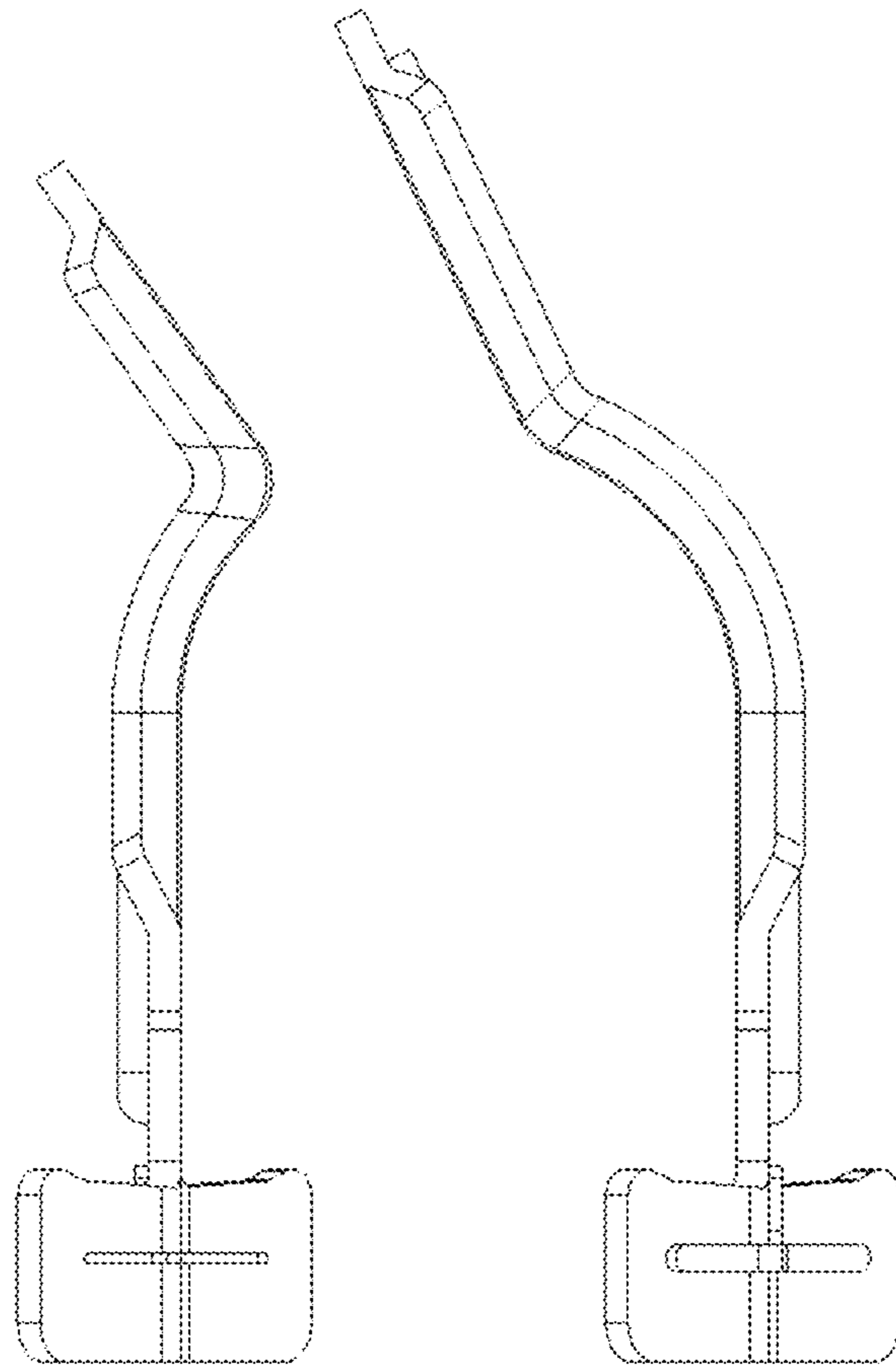


FIG. 7

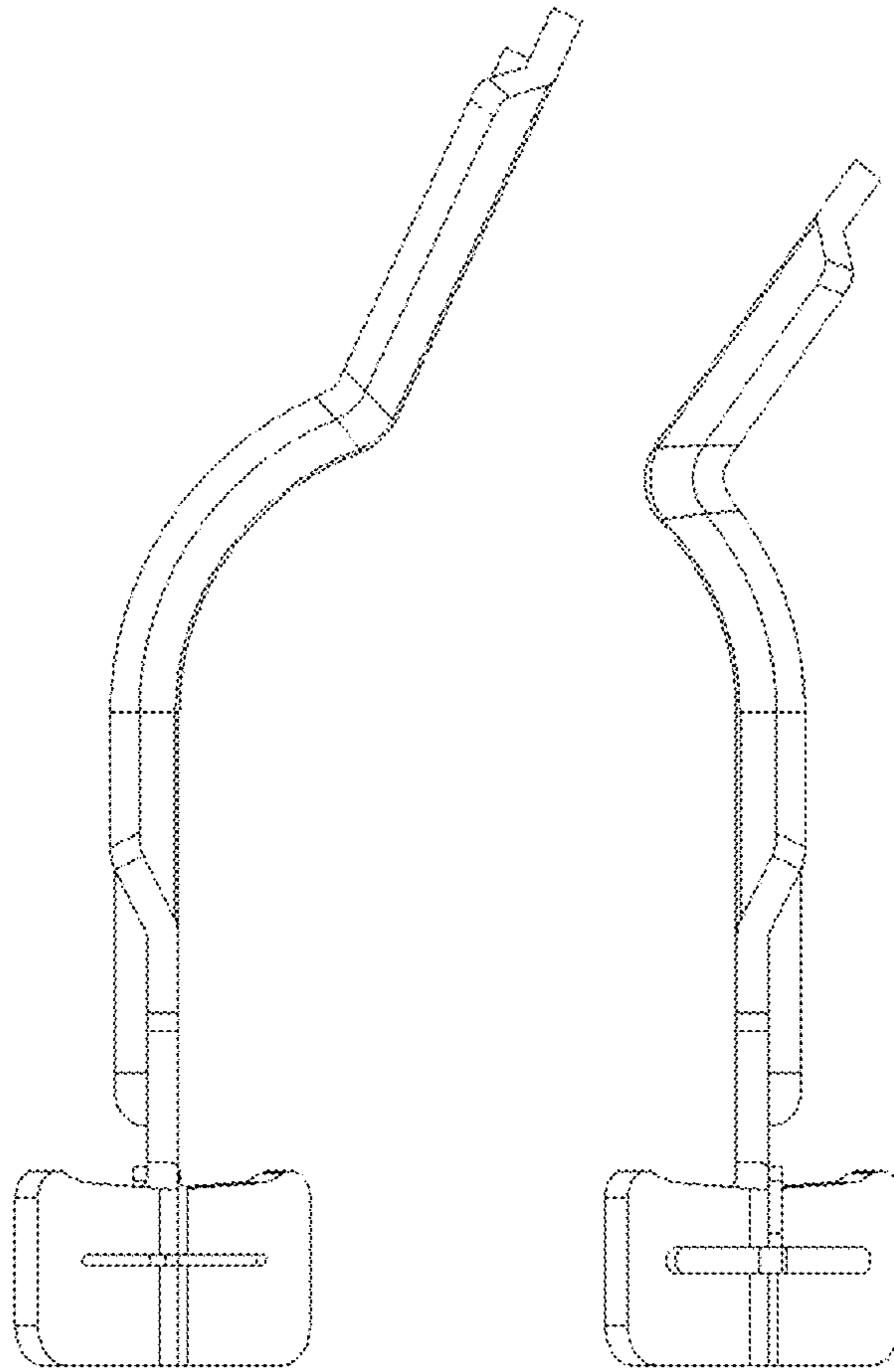


FIG. 8

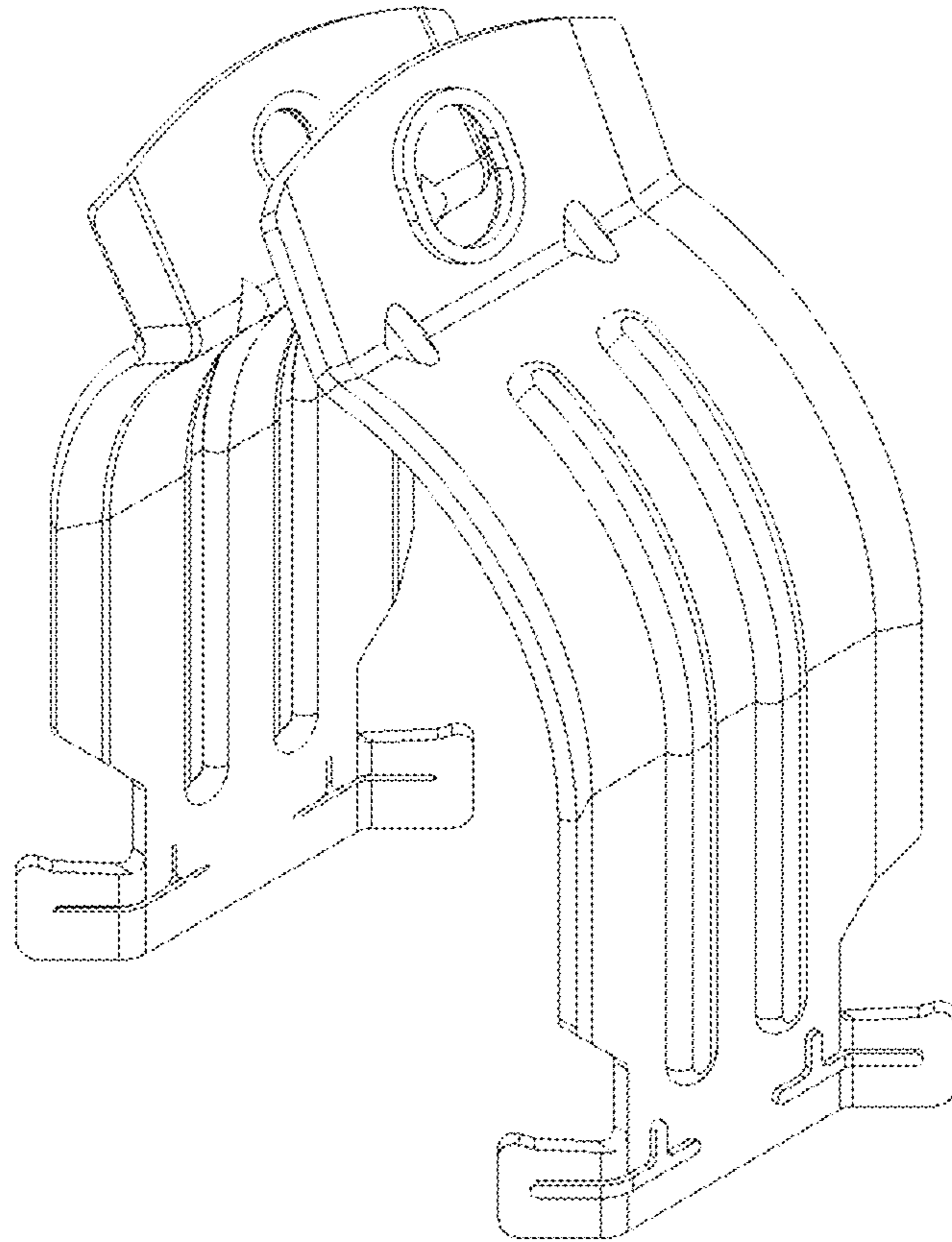


FIG. 9

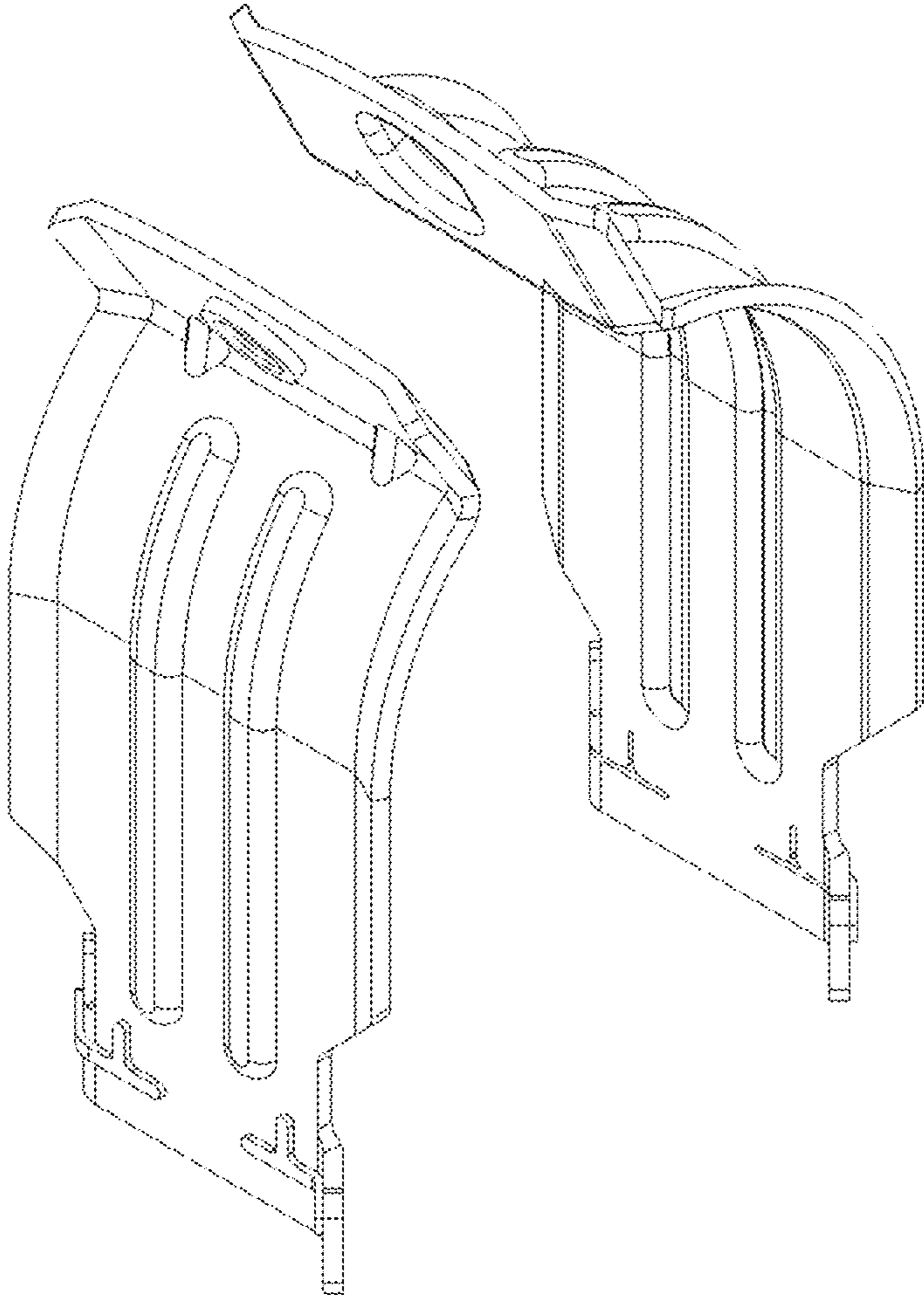


FIG. 10

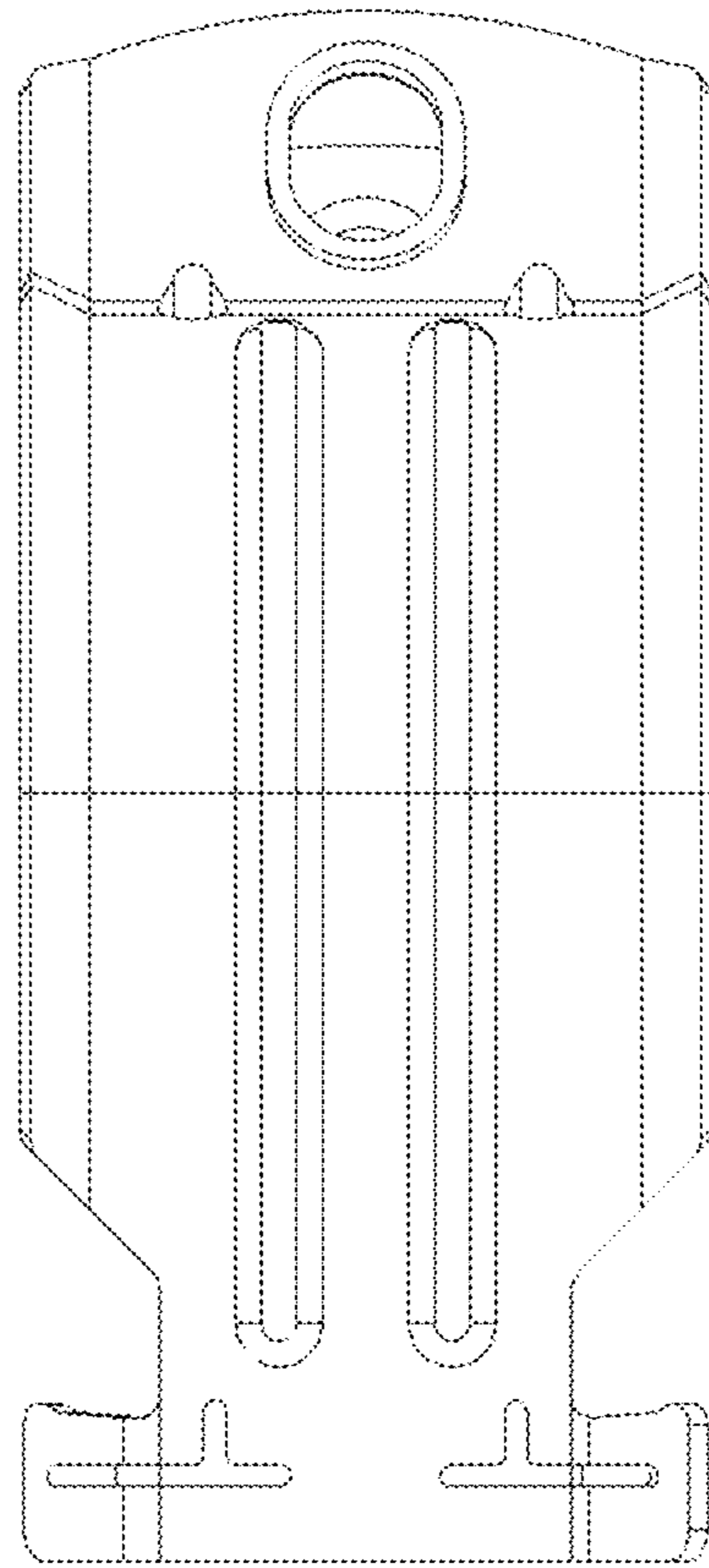


FIG. 11



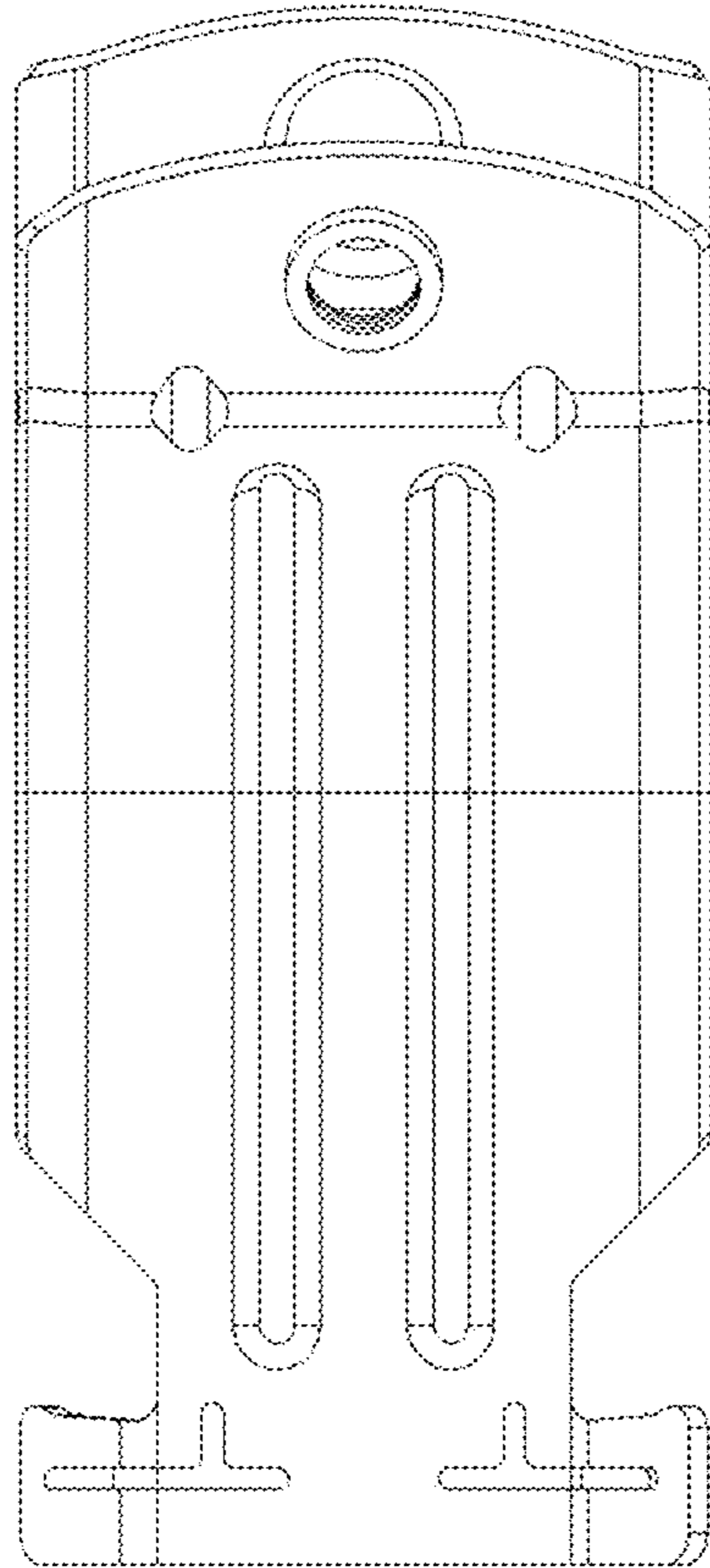


FIG. 12

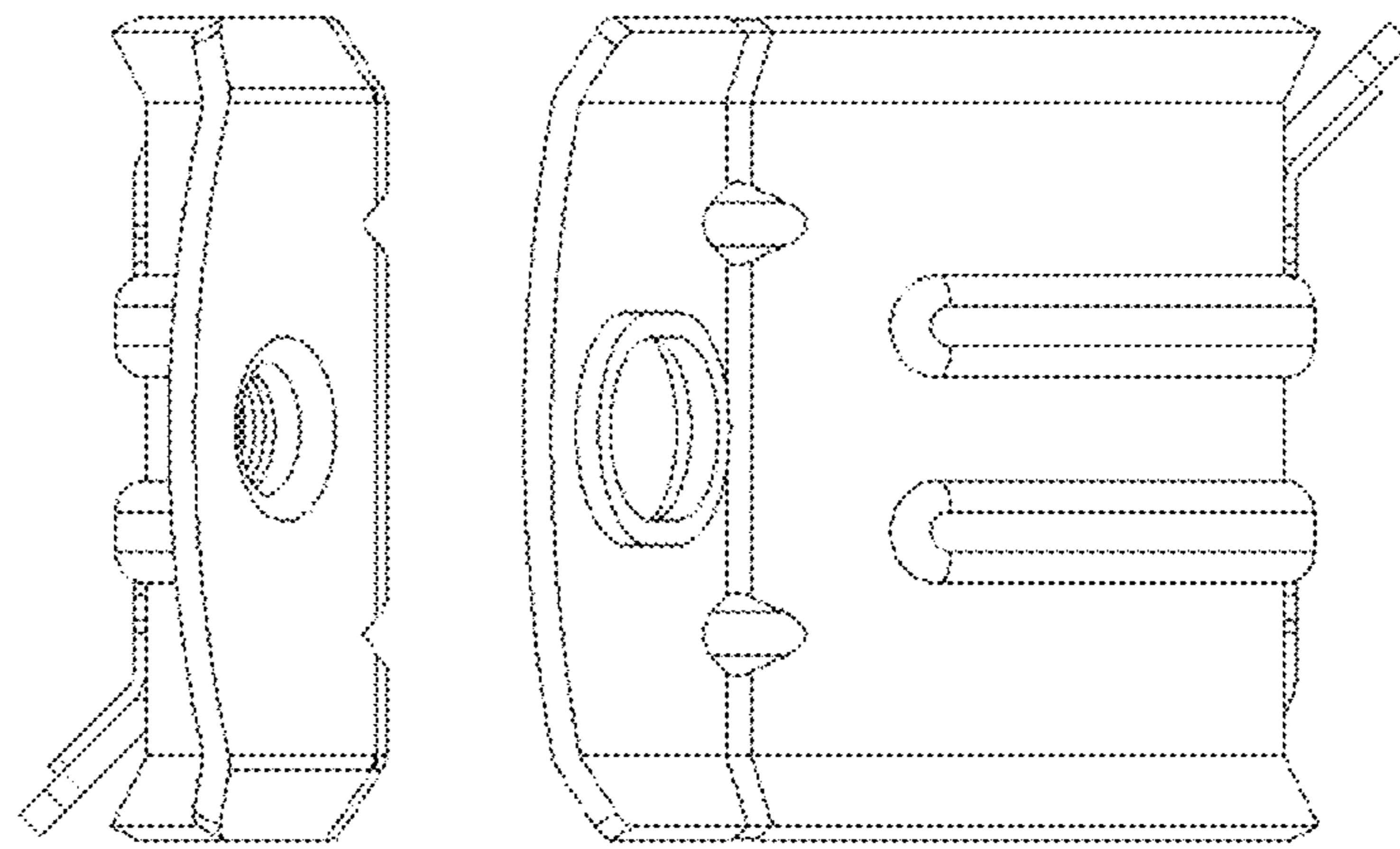


FIG. 13

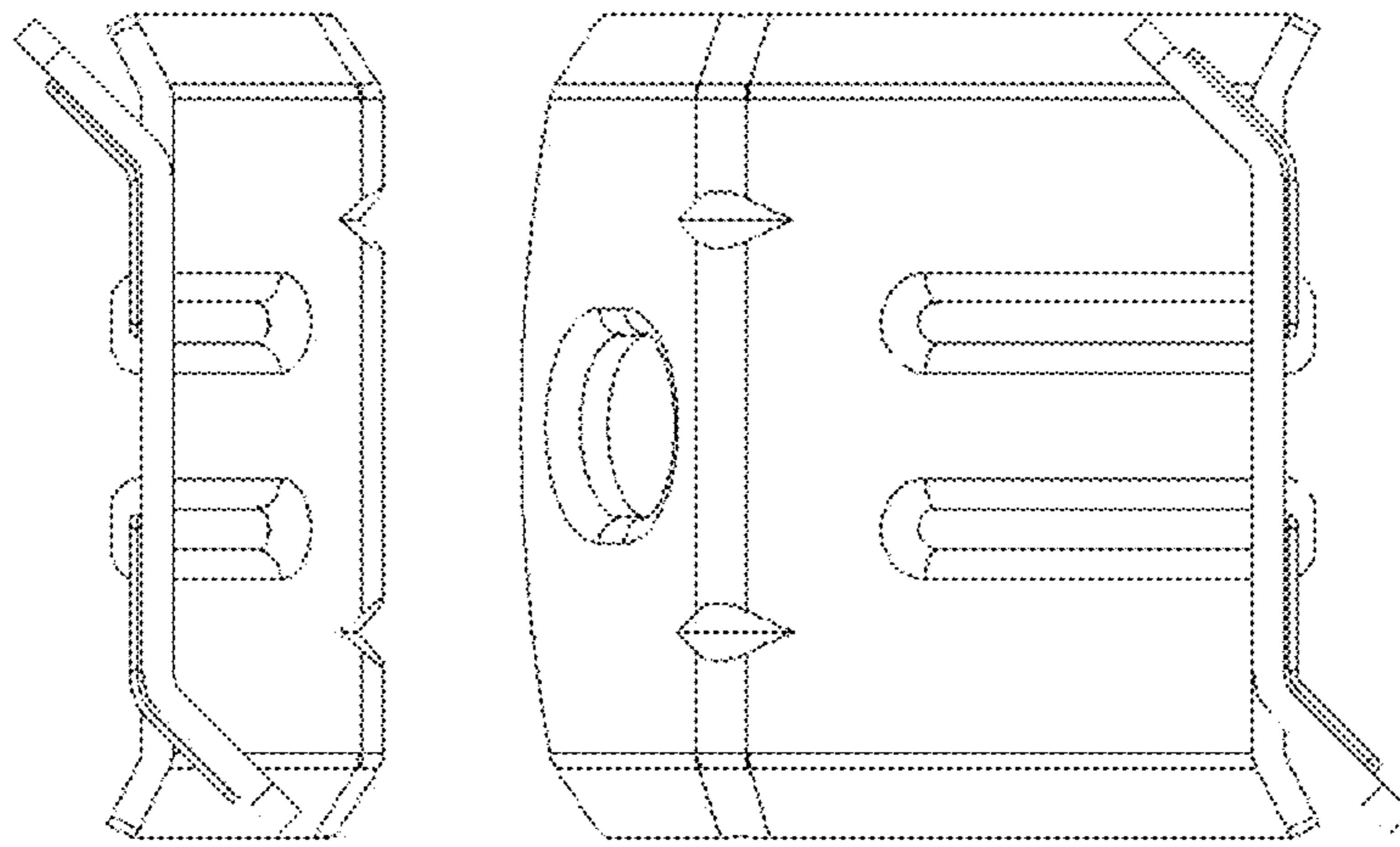


FIG. 14

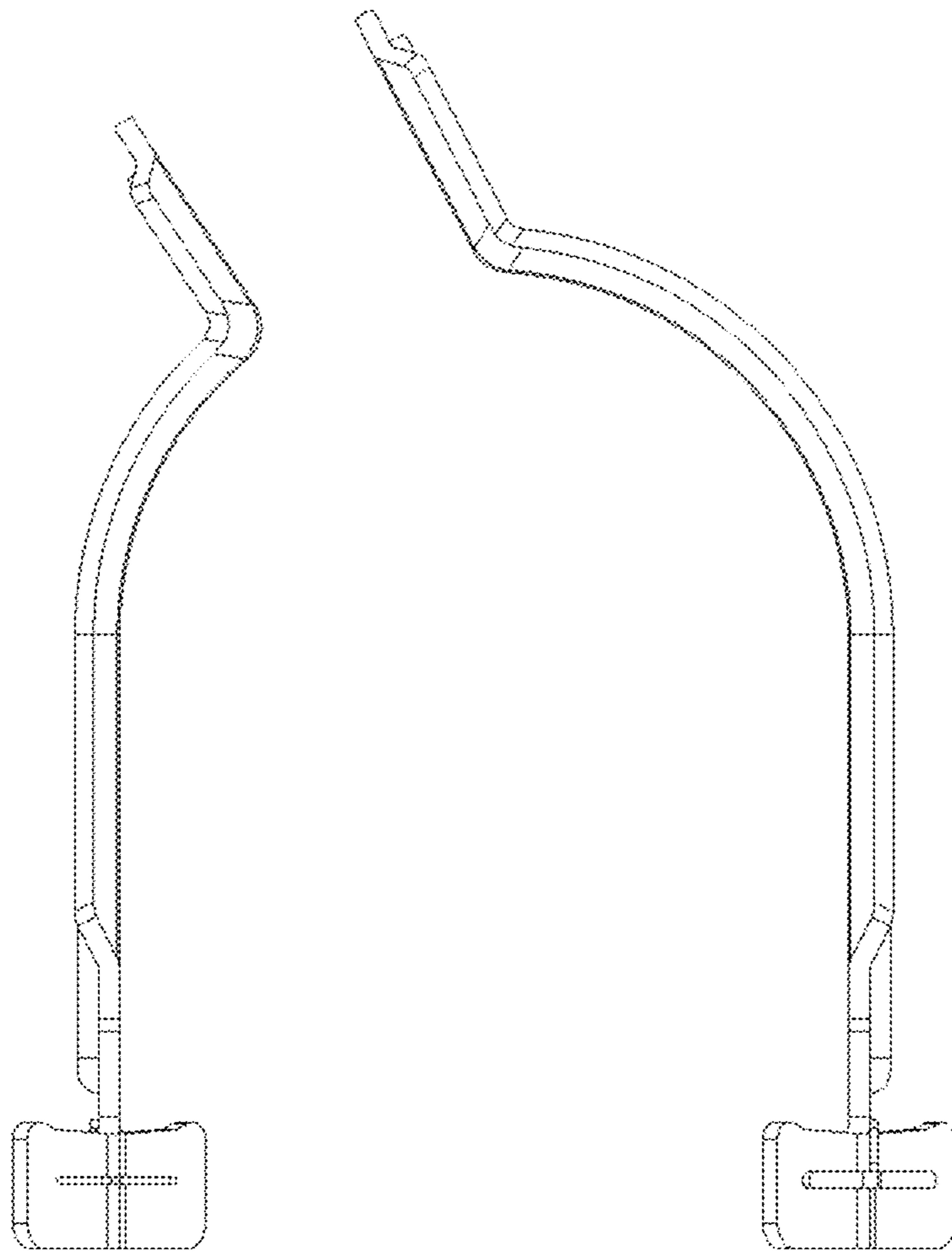


FIG. 15

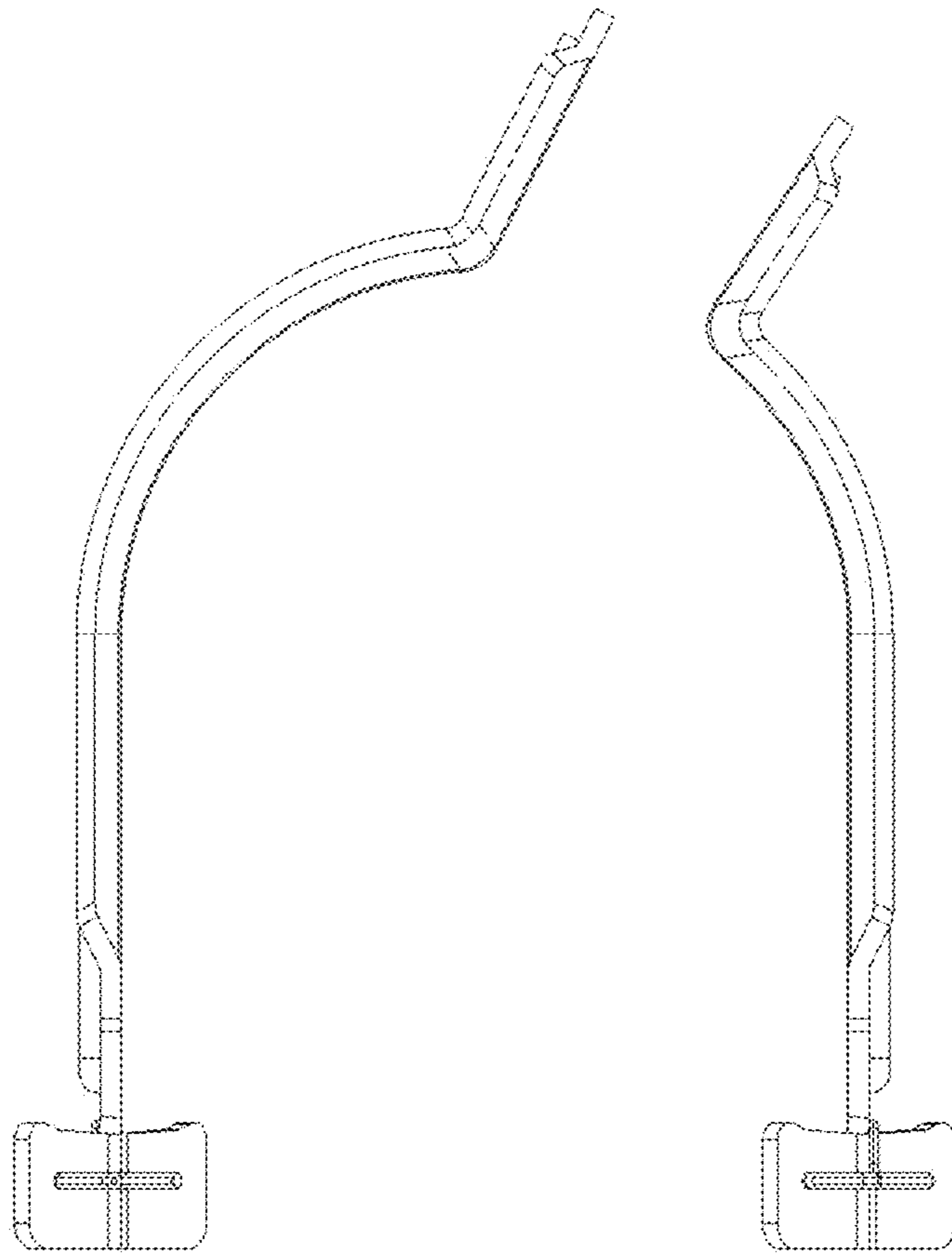


FIG. 16



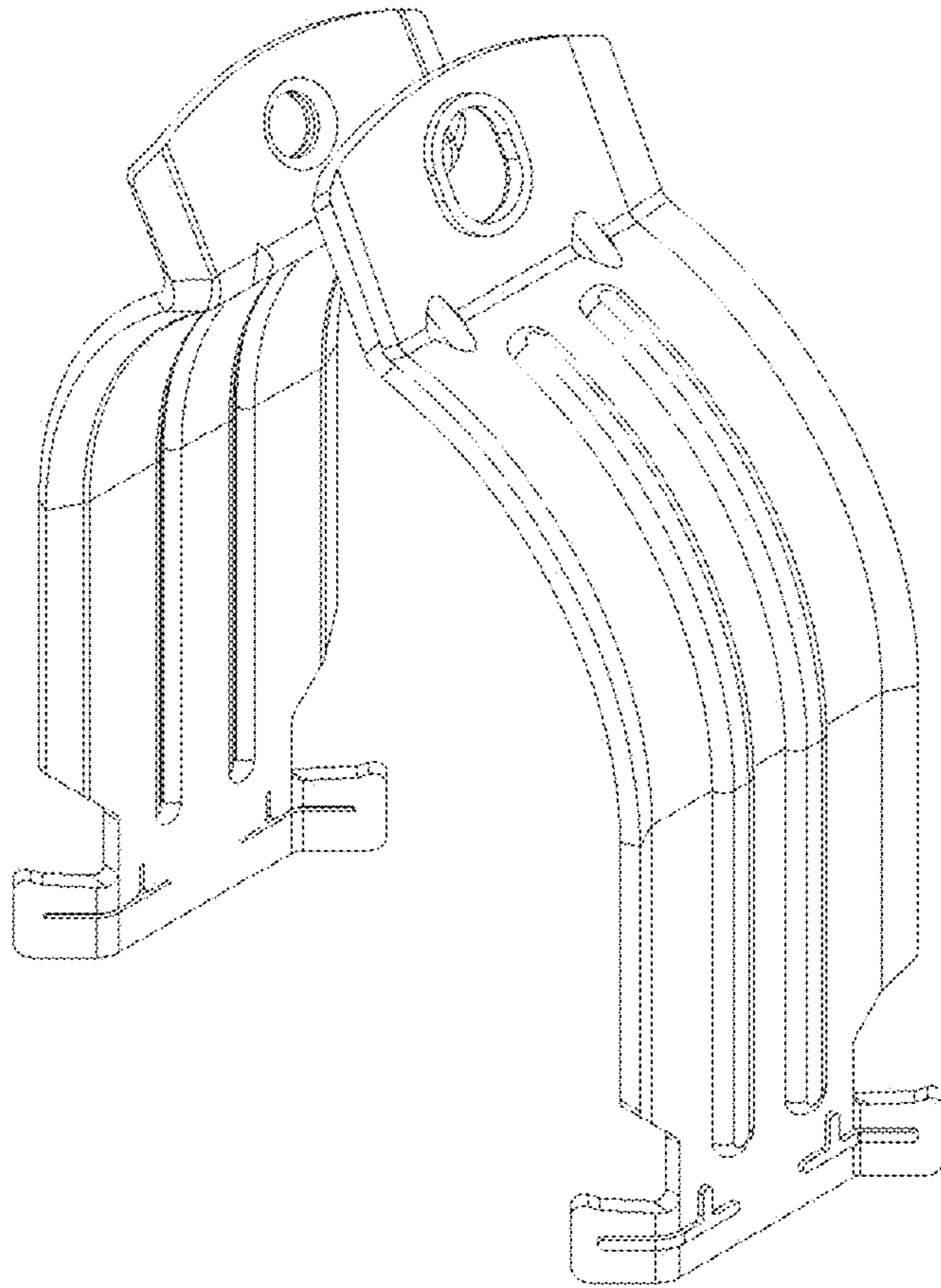


FIG. 17

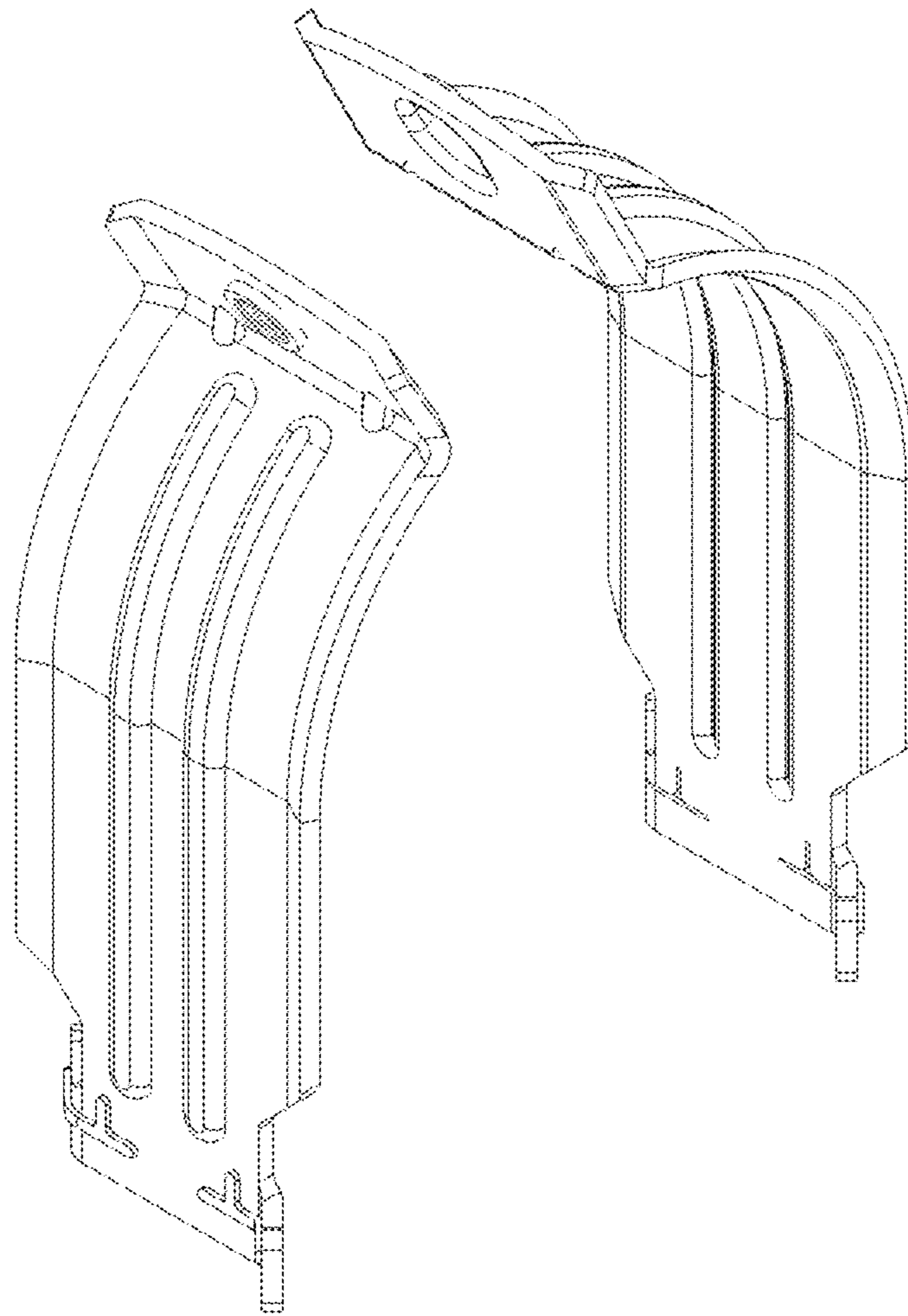


FIG. 18

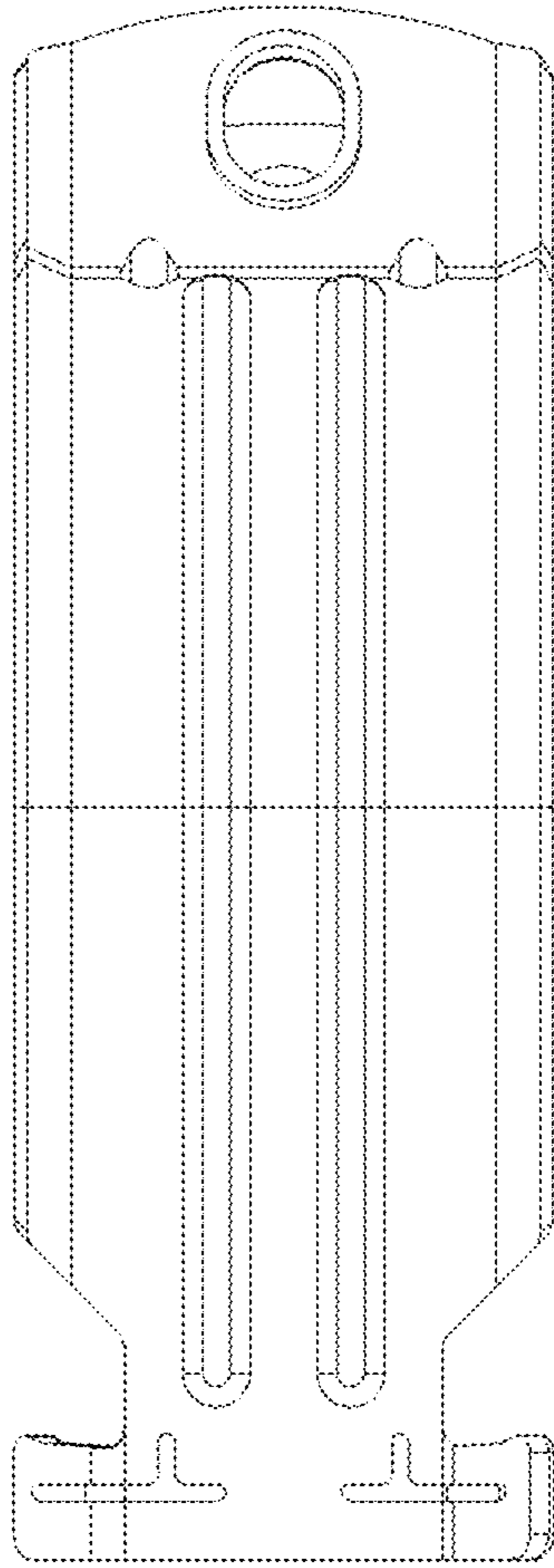


FIG. 19

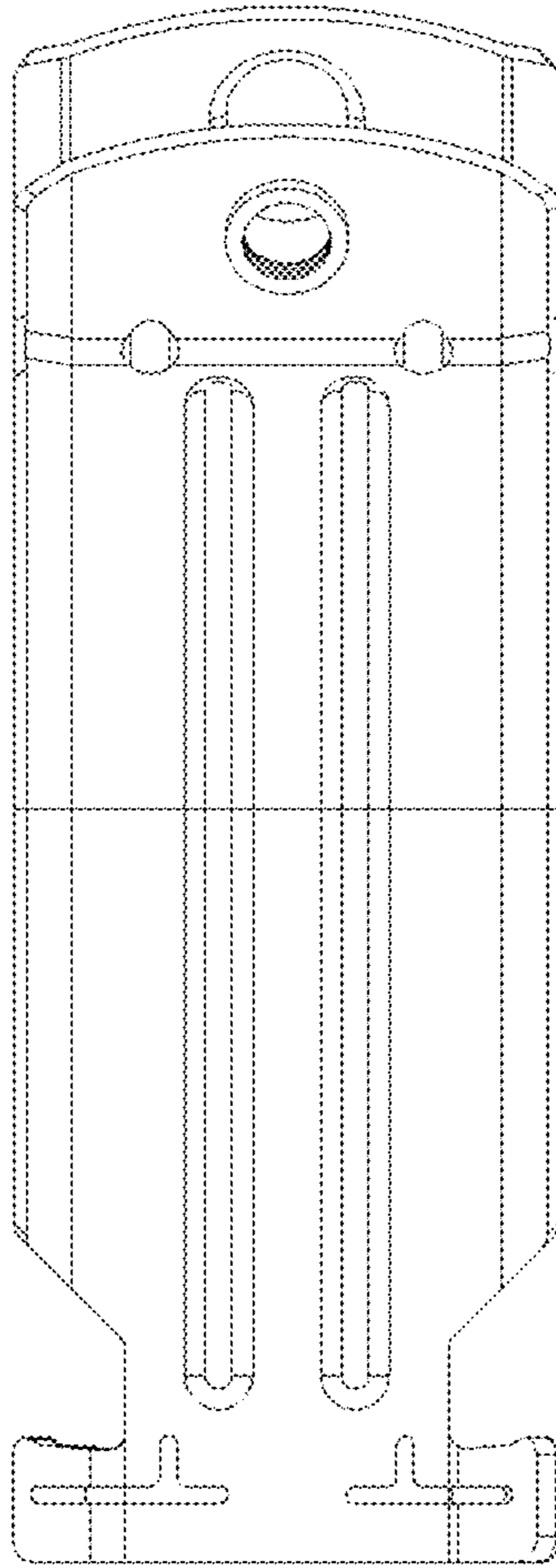


FIG. 20

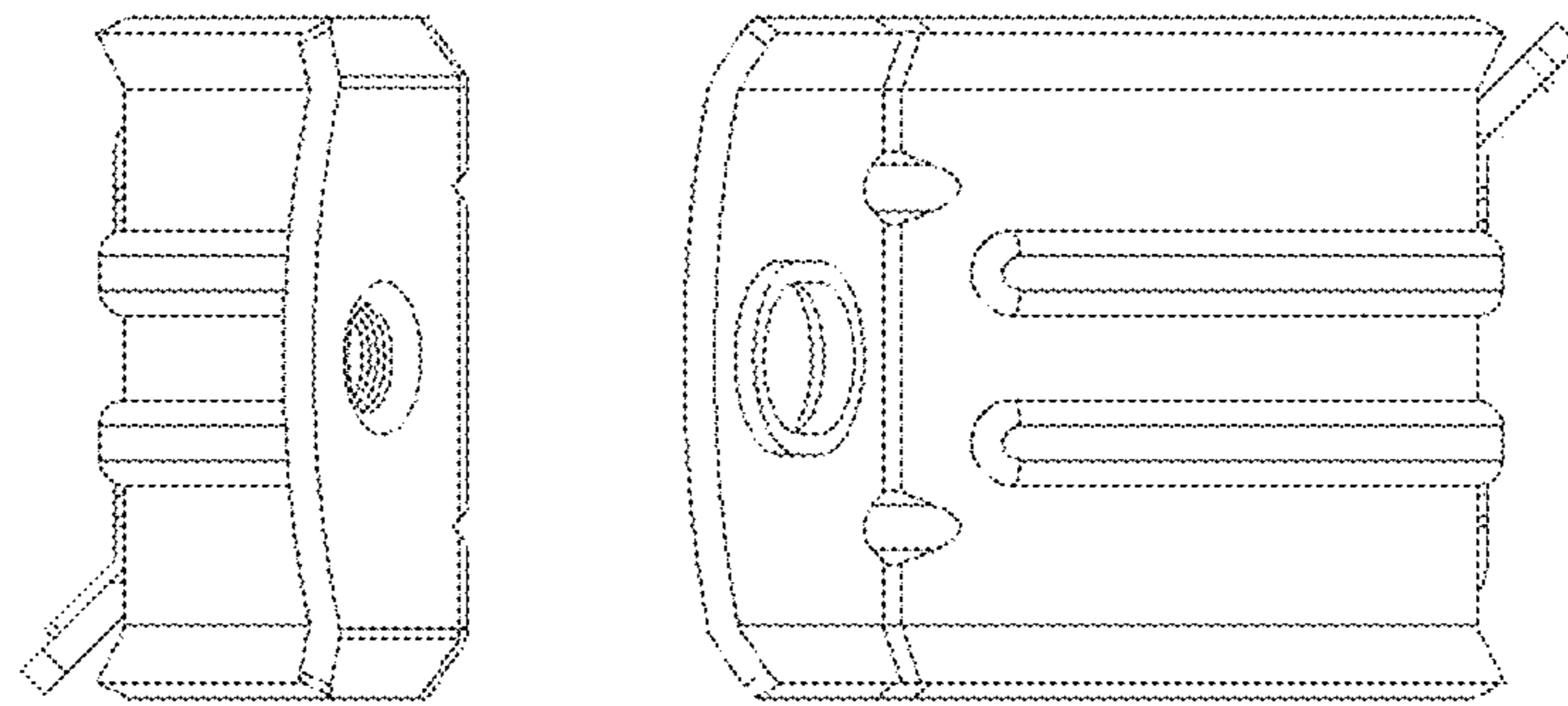


FIG. 21



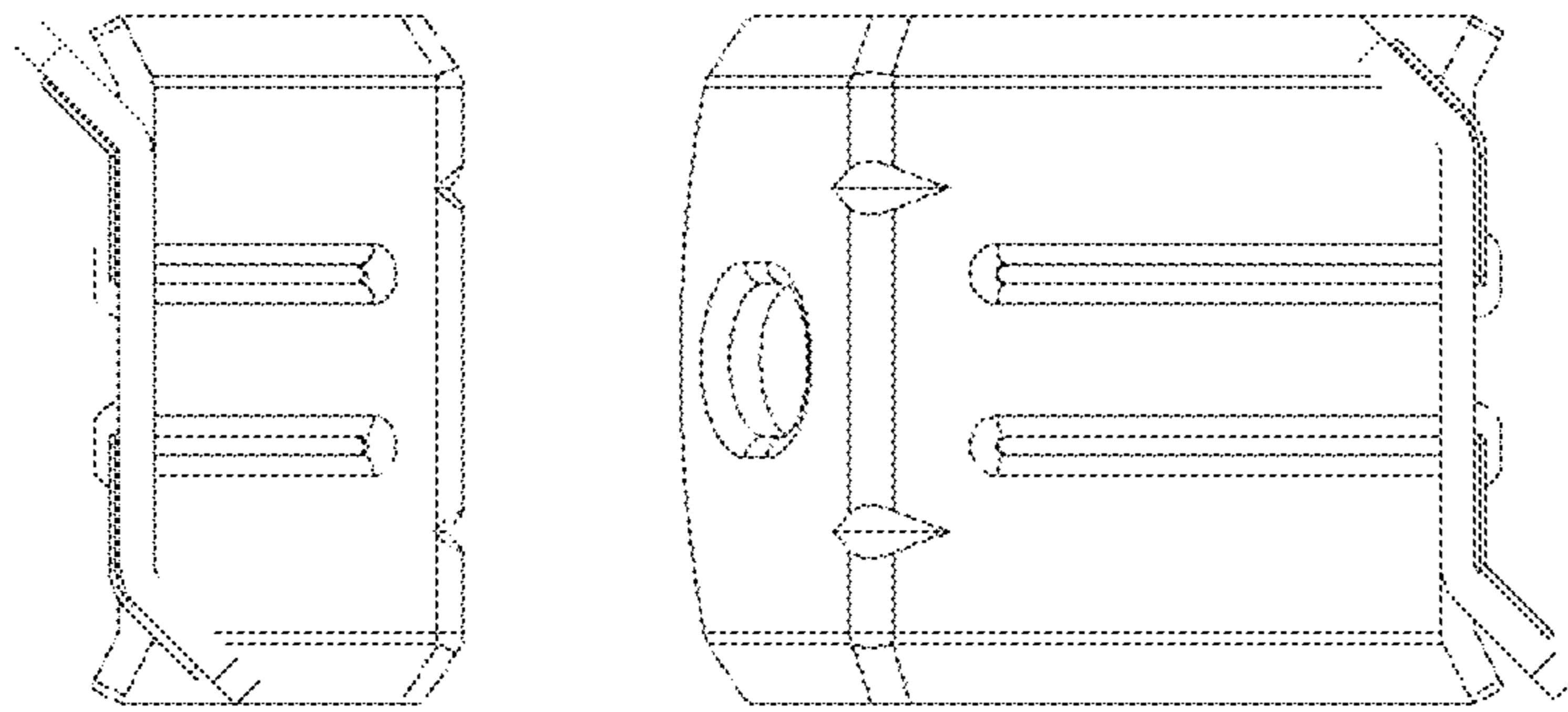


FIG. 22

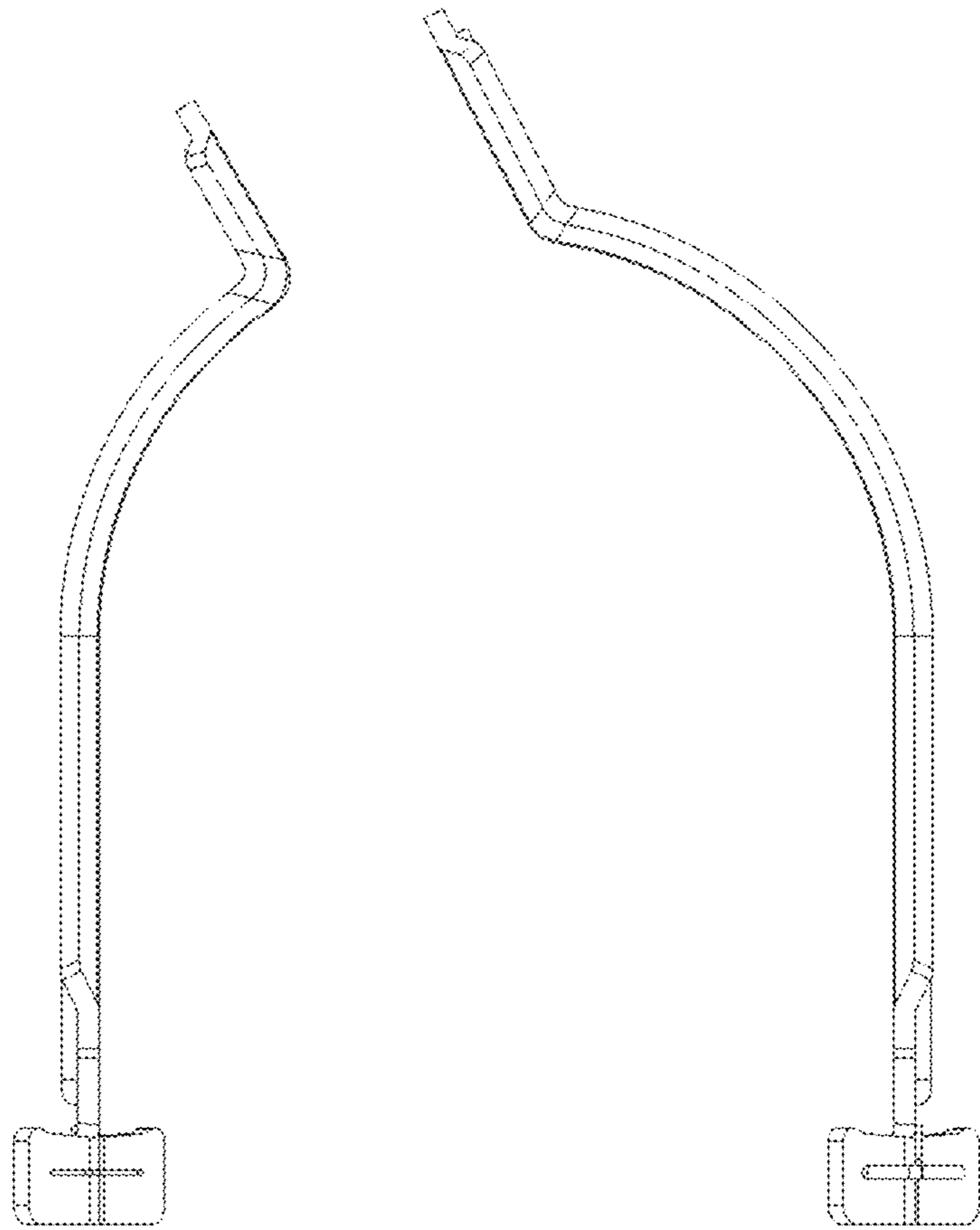


FIG. 23

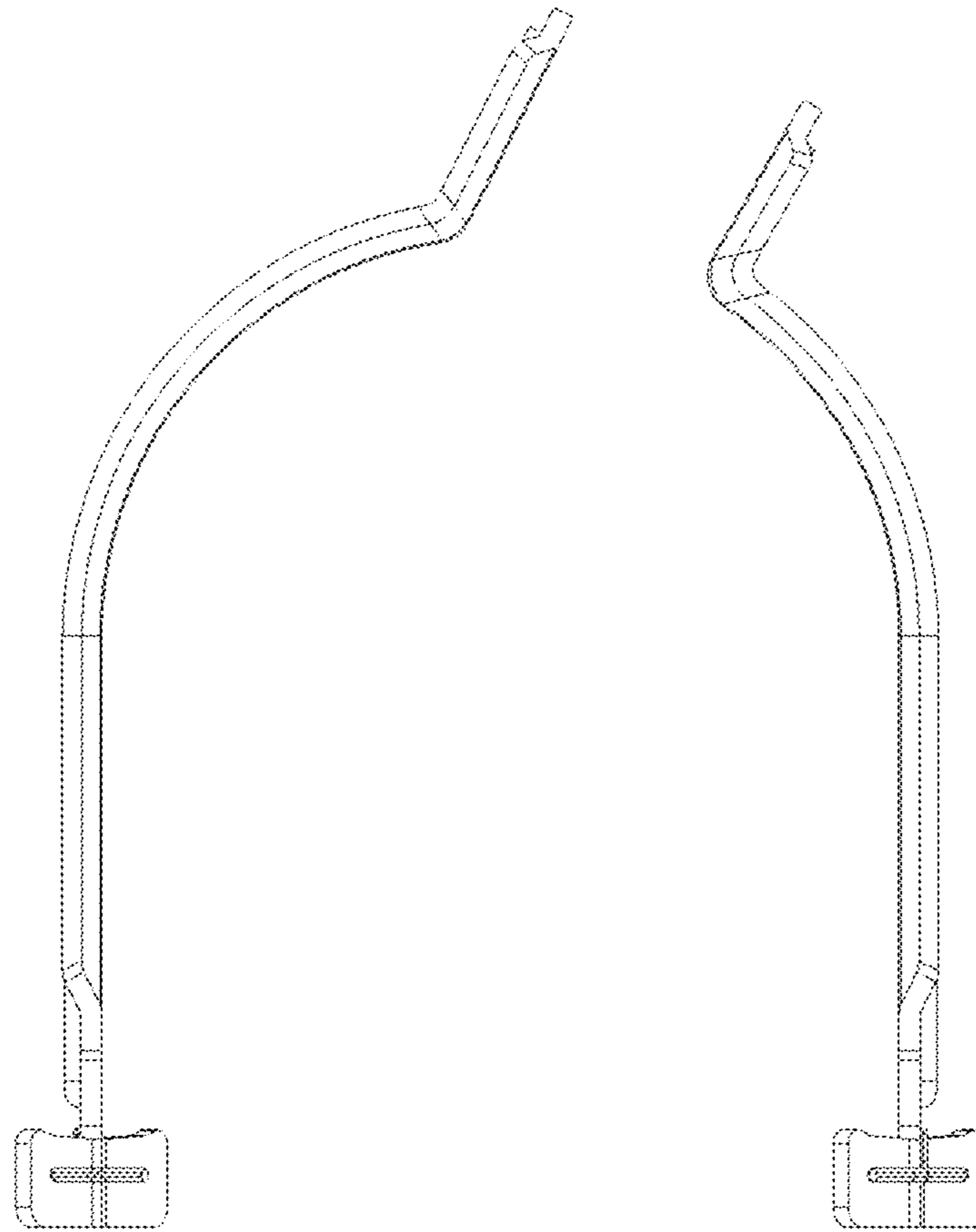


FIG. 24

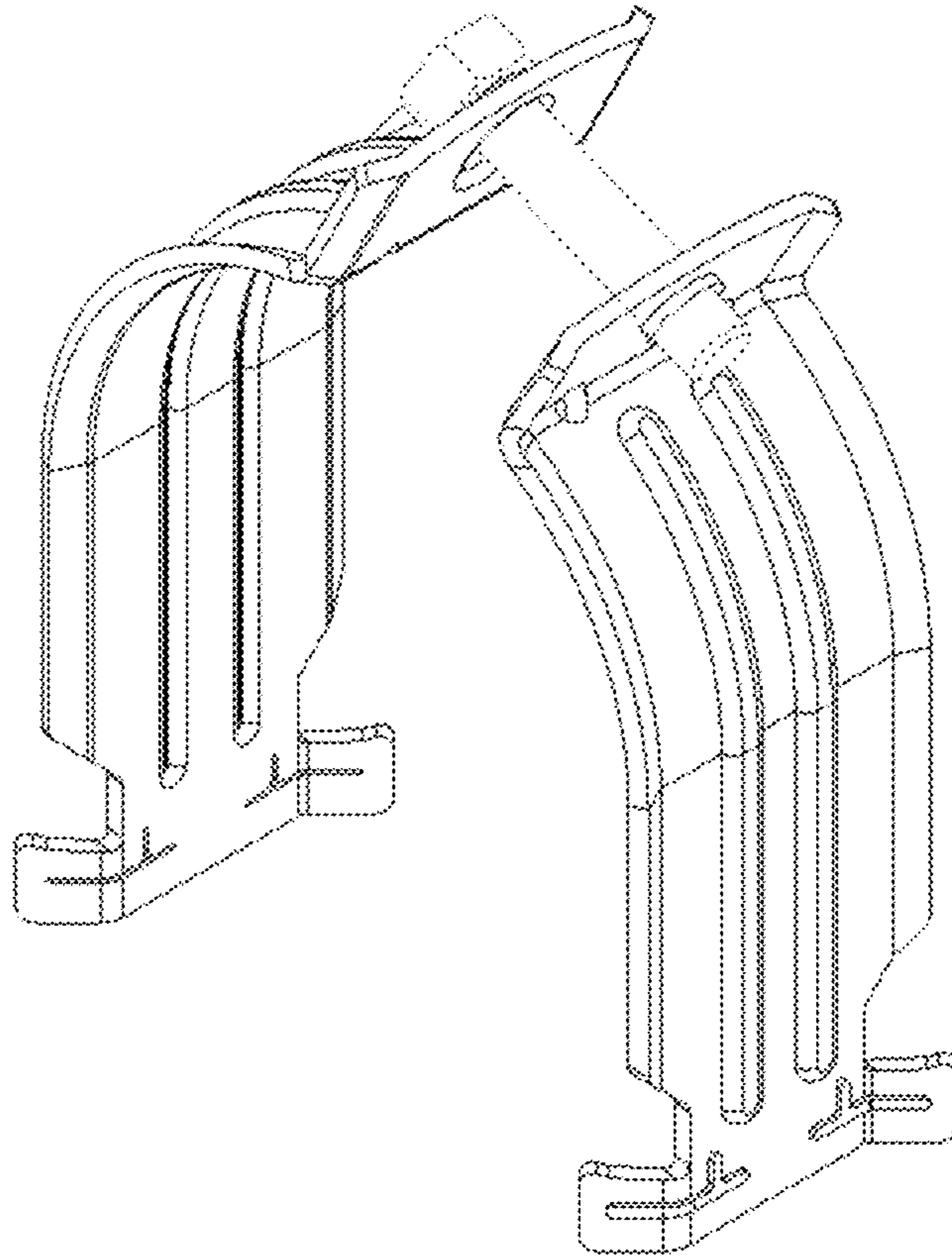


FIG. 25

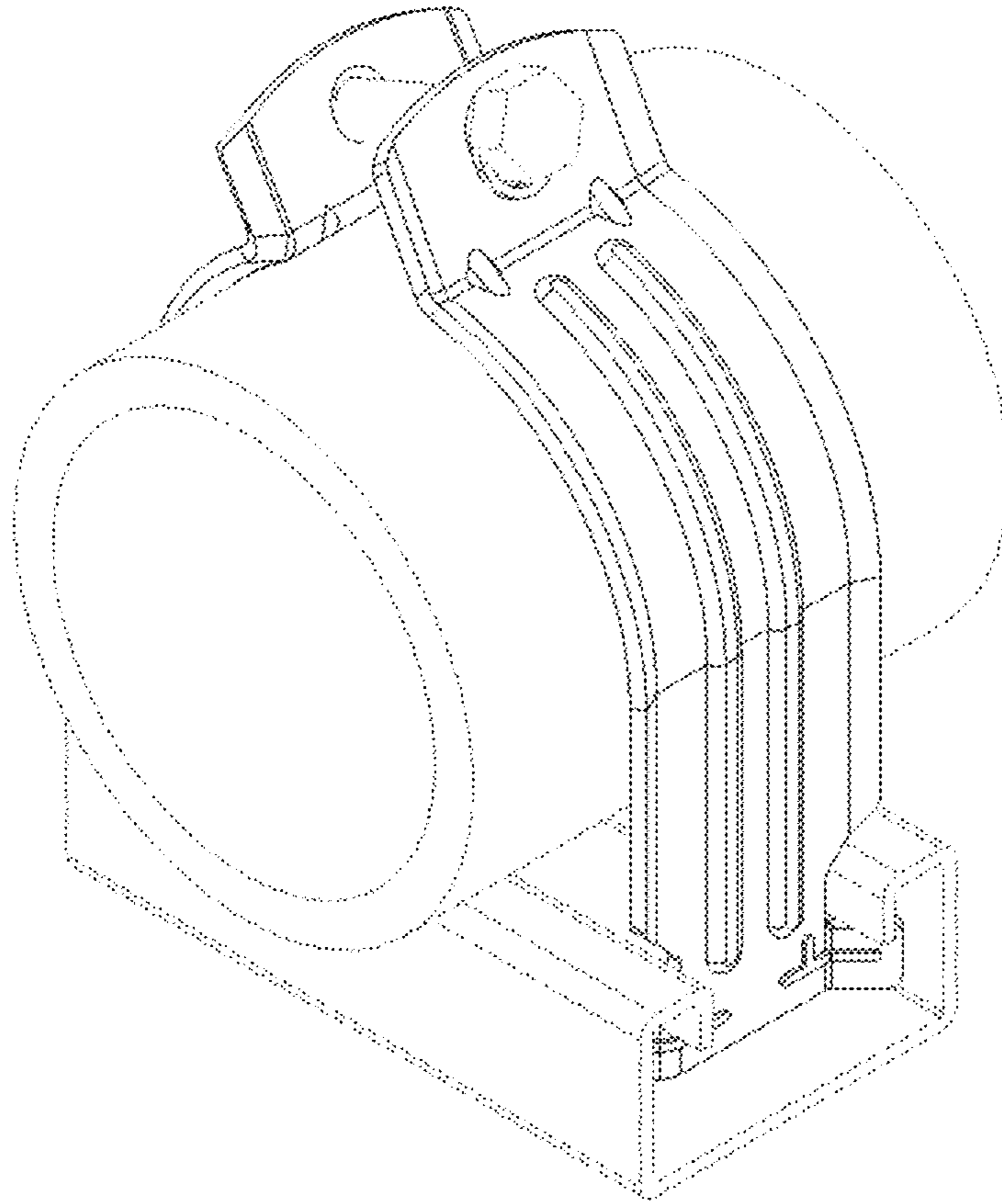


FIG. 26