



US00D959971S

(12) **United States Design Patent** (10) **Patent No.:** **US D959,971 S**
Satnick (45) **Date of Patent:** **** *Aug. 9, 2022**

(54) **SCREW**
 (71) Applicant: **Kobert & Company, Inc.**, Commerce, CA (US)
 (72) Inventor: **Lane Satnick**, Commerce, CA (US)
 (73) Assignee: **KOBERT & COMPANY, INC.**, Commerce, CA (US)
 (*) Notice: This patent is subject to a terminal disclaimer.
 (**) Term: **15 Years**
 (21) Appl. No.: **29/746,876**
 (22) Filed: **Aug. 18, 2020**
 (51) **LOC (13) Cl.** **08-08**
 (52) **U.S. Cl.**
 USPC **D8/387**
 (58) **Field of Classification Search**
 USPC D8/349, 382, 384, 385, 388, 392, 393, D8/387, 391
 CPC F16B 23/0007; F16B 23/0015; F16B 23/0023; F16B 23/003; F16B 23/0038; F16B 23/0046; F16B 23/0053; F16B 23/0061; F16B 23/0069; F16B 23/0076; F16B 23/0084; F16B 23/0092; F16B 25/0036; F16B 25/0042; F16B 25/0047; F16B 25/0052; F16B 25/0057; F16B 25/0063; F16B 25/0068; F16B 25/0073; F16B 25/0078; F16B 25/0084; F16B 33/02; F16B 2033/025; F16B 2033/04; F16B 33/06; F16B 35/04; F16B 35/041; F16B 35/042; F16B 35/044; F16B 35/045; F16B 35/047; F16B 35/048; F16B 35/06; F16B 35/065; F16B 37/047; F16B 37/14; F16B 37/145
 See application file for complete search history.

(56) **References Cited**
 U.S. PATENT DOCUMENTS
 10,171 A * 10/1853 Pratt F16B 23/0015
 411/403
 281,831 A * 7/1883 Brown F16B 23/003
 411/403
 295,833 A * 3/1884 Stiles F16B 23/003
 411/403
 391,097 A * 10/1888 Thayer F16B 23/003
 411/403
 679,970 A * 8/1901 Keeler F16B 23/0061
 411/405
 824,983 A * 7/1906 Farrington F16B 23/003
 411/403
 3,861,269 A * 1/1975 Laverty F16B 25/0031
 411/413

(Continued)

FOREIGN PATENT DOCUMENTS
 CA 2675309 A1 * 2/2010 F16B 25/0026
 CA 2884490 A1 * 8/2016 F16B 25/0015
 WO WO-2020260238 A1 * 12/2020 E04G 21/142

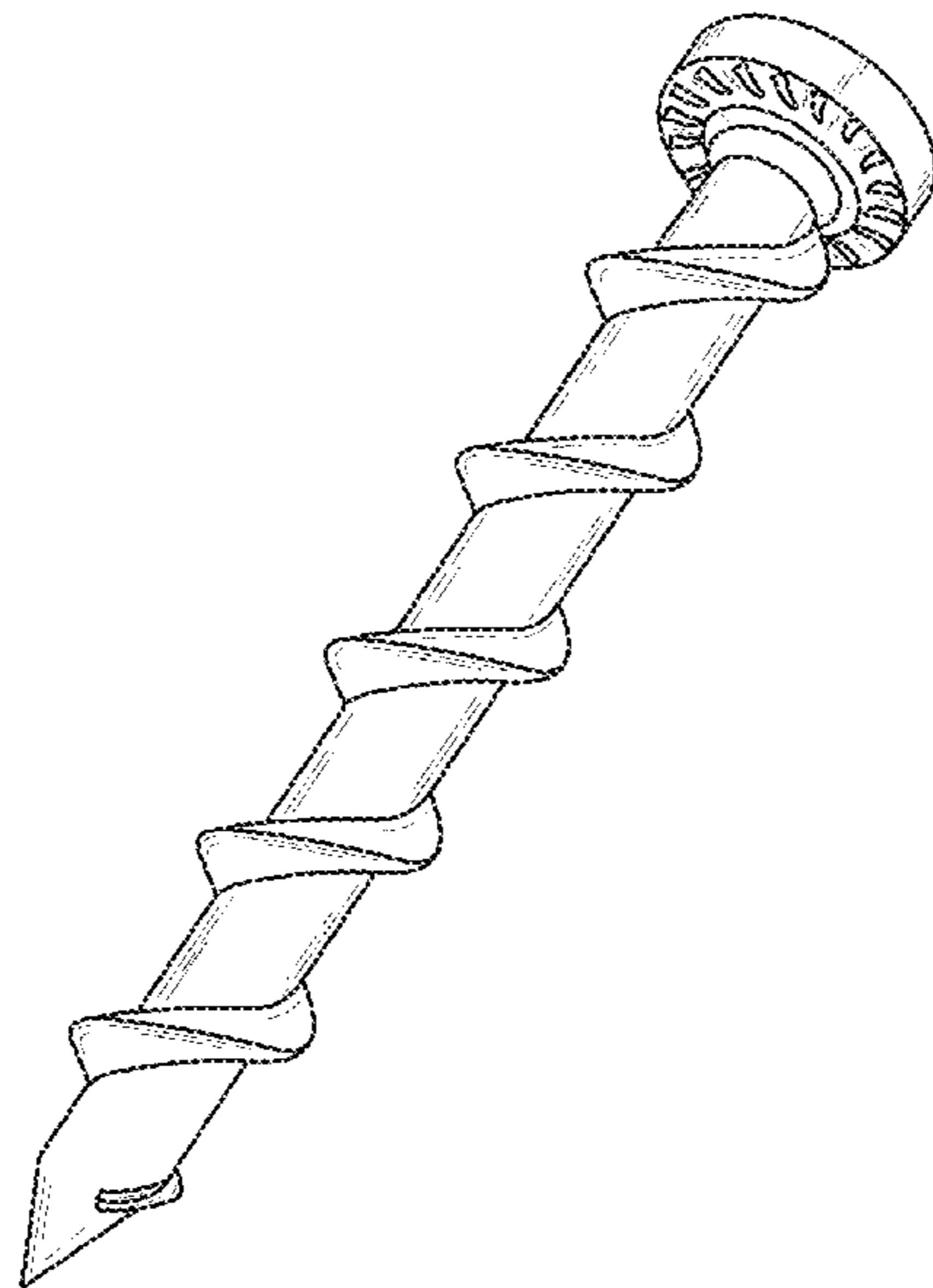
Primary Examiner — Sheryl Lane
Assistant Examiner — Ieisha N Price
 (74) *Attorney, Agent, or Firm* — Tracy M. Heims; Apex Juris, pllc.

(57) **CLAIM**
 The ornamental design for a screw, as shown and described.

DESCRIPTION

FIG. 1 is a perspective view of the screw.
 FIG. 2 is a front view of the screw.
 FIG. 3 is a rear view of the screw.
 FIG. 4 is a left side view of the screw.
 FIG. 5 is a right side view of the screw.
 FIG. 6 is a top view of the screw; and,
 FIG. 7 is a bottom view of the screw.
 The broken lines in the drawings illustrate portions of the screw and form no part of the claimed design.

1 Claim, 6 Drawing Sheets



(56)

References Cited

U.S. PATENT DOCUMENTS

4,241,638	A *	12/1980	Shimizu	F16B 25/0031	2009/0269164	A1 *	10/2009	Gonciarz	F16B 25/0026
				411/386					411/416
5,722,808	A *	3/1998	Pritchard	F16B 33/02	2010/0172718	A1 *	7/2010	Gong	F16B 25/0068
				411/366.3					411/417
5,919,020	A *	7/1999	Walther	F16B 35/048	2011/0014007	A1 *	1/2011	Gaudron	F16B 25/0026
				411/399					411/412
5,957,646	A *	9/1999	Giannuzzi	F16B 25/0026	2011/0076112	A1 *	3/2011	Huang	F16B 25/00
				411/412					411/412
D549,088	S *	8/2007	Gallien	D8/387	2011/0164944	A1 *	7/2011	Hughes	F16B 25/0057
D552,976	S *	10/2007	Gaudron	D8/387					411/393
D678,756	S *	3/2013	Tsai	D8/387	2011/0176888	A1 *	7/2011	Gaudron	F16B 25/0068
D842,086	S *	3/2019	Vandenberg	D8/387					411/394
D912,502	S *	3/2021	Cook	D8/387	2011/0176889	A1 *	7/2011	Olsen	F16B 25/0026
2004/0052610	A1 *	3/2004	Kaupanger	F16B 23/0038					411/411
				411/371.2	2015/0071731	A1 *	3/2015	Scheerer	F16B 25/0078
2004/0136803	A1 *	7/2004	Grosch	F16B 11/006					411/353
				411/82	2015/0316088	A1 *	11/2015	Pearce	F16B 25/103
2005/0031434	A1 *	2/2005	Gaudron	F16B 25/00					411/387.7
				411/412	2016/0199967	A1 *	7/2016	Stahl	B25B 23/12
2006/0076849	A1 *	4/2006	Sedgwick	F16B 35/048					81/460
				310/261.1	2017/0030393	A1 *	2/2017	Phua	F16B 25/0073
2008/0112775	A1 *	5/2008	Hsu	F16B 35/041	2018/0209465	A1 *	7/2018	Lin	F16B 25/0084
				411/394	2018/0298934	A1 *	10/2018	Eckert	F16B 25/0084
					2019/0093691	A1 *	3/2019	Ruhmann	F16B 25/0063
					2019/0203756	A1 *	7/2019	Langewiesche	F16B 25/0057
					2019/0390699	A1 *	12/2019	Tu	F16B 25/00

* cited by examiner

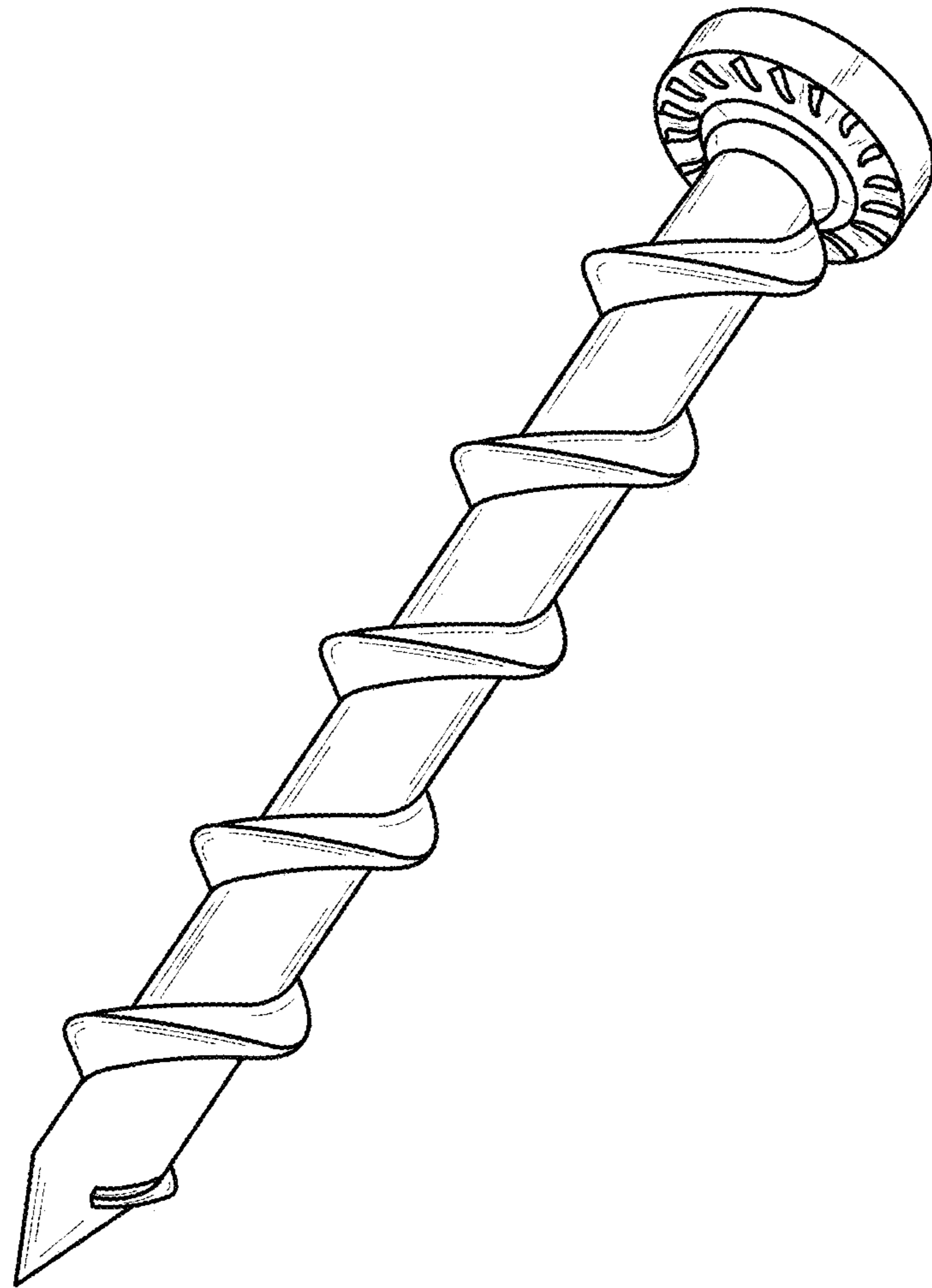


FIG. 1

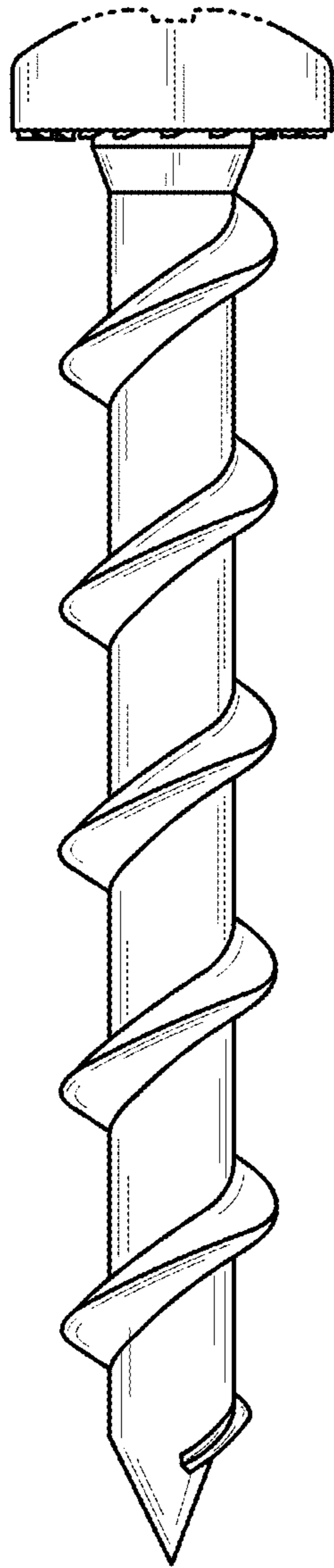


FIG. 2

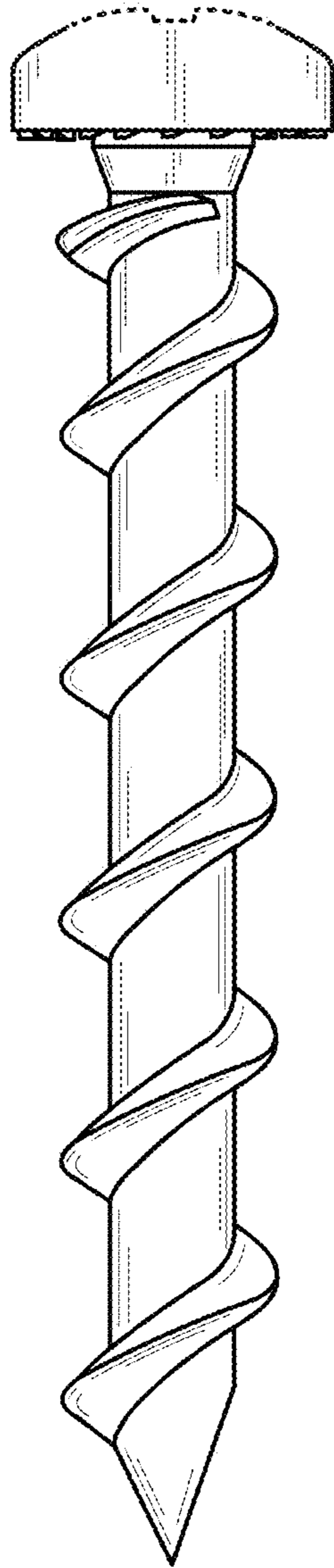


FIG. 3

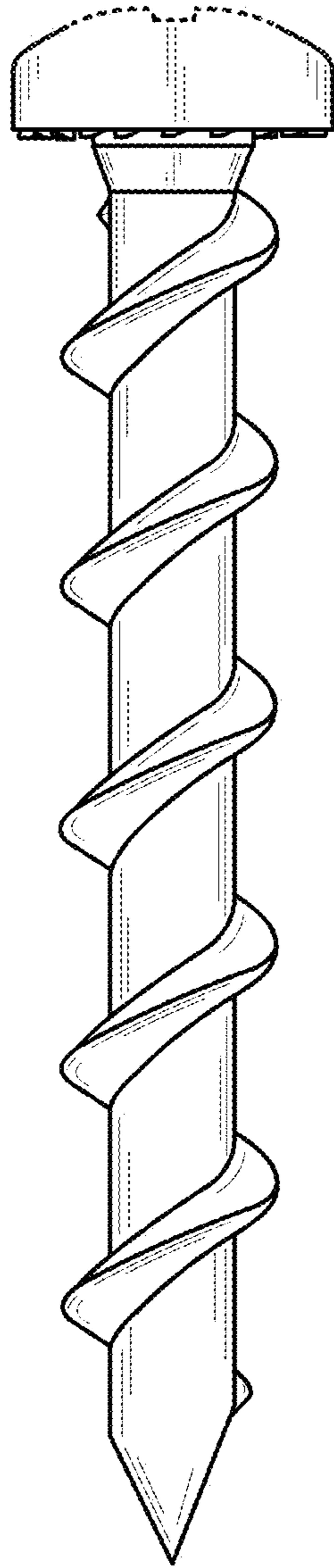


FIG. 4

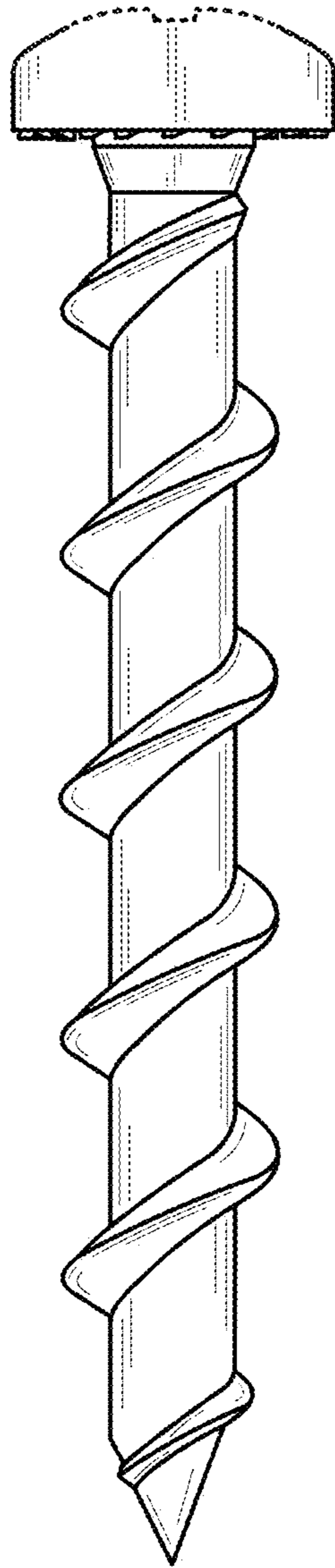


FIG. 5

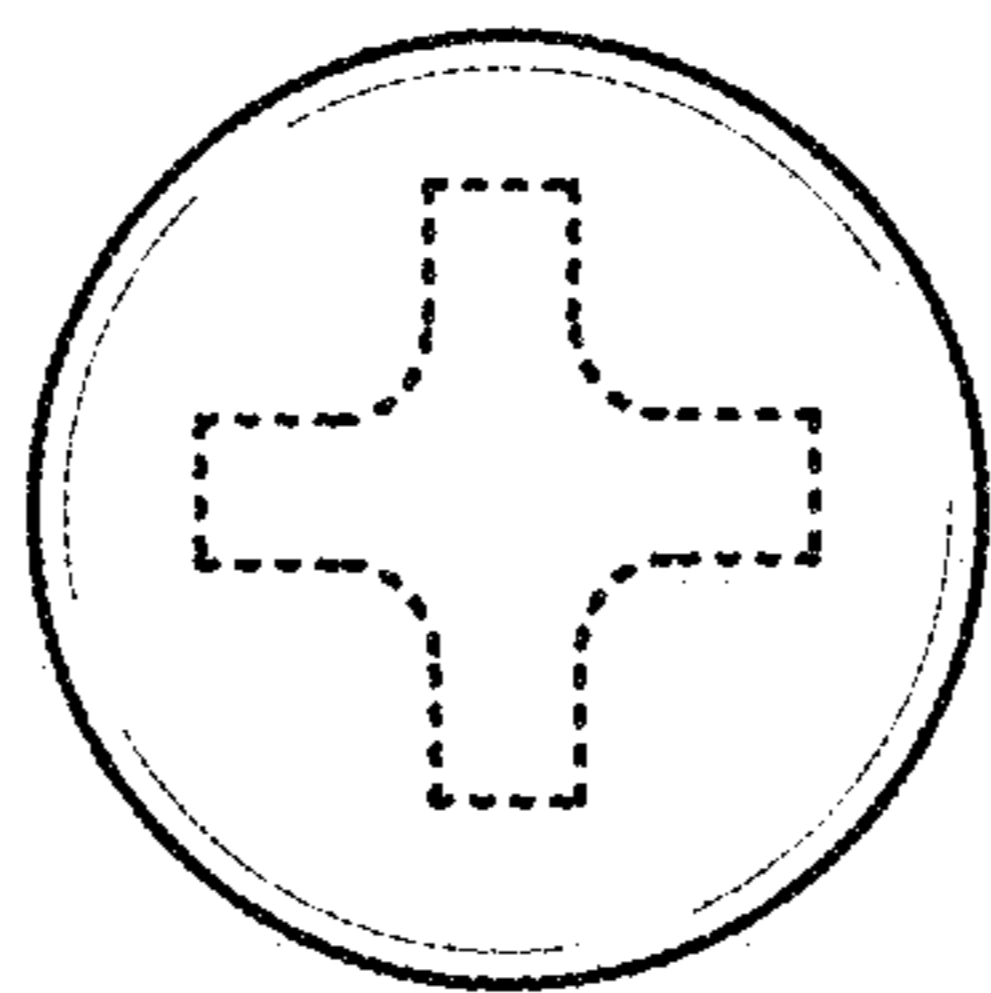


FIG. 6

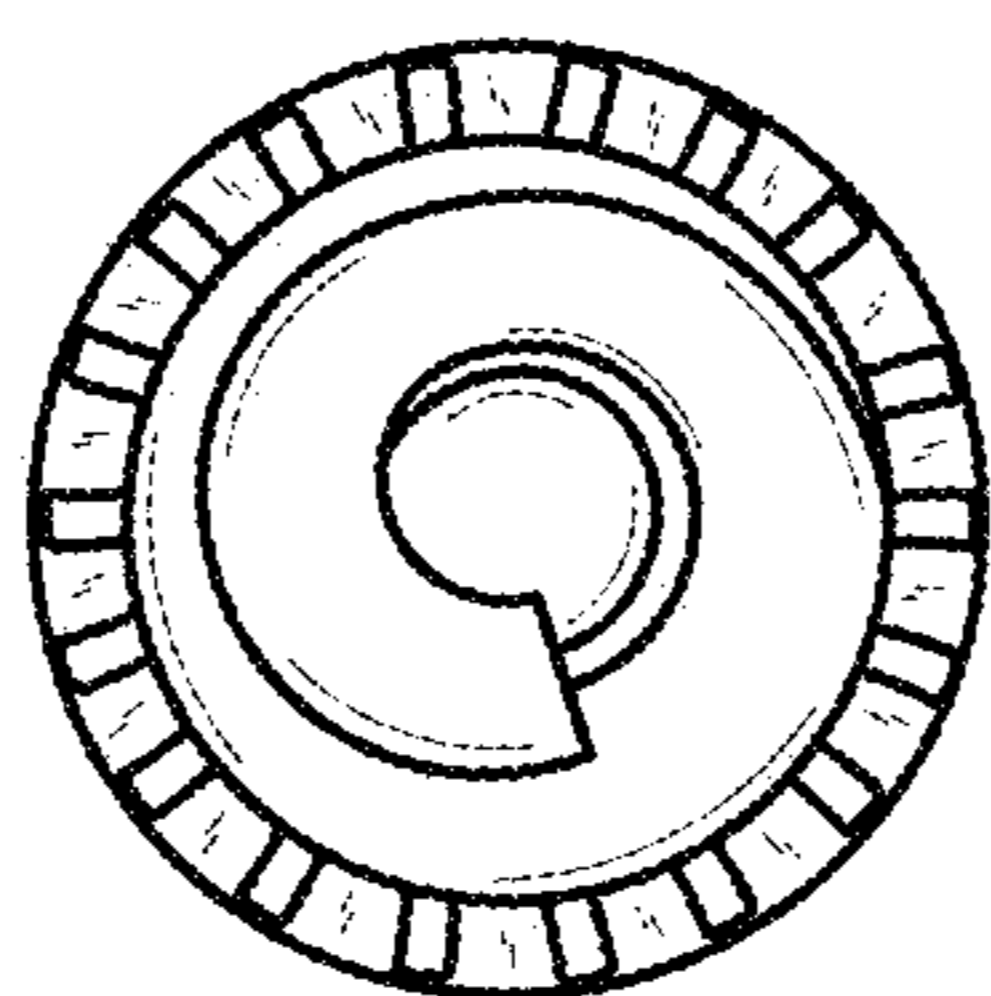


FIG. 7