



US00D959969S

(12) **United States Design Patent** (10) **Patent No.:** **US D959,969 S**
Wang (45) **Date of Patent:** **** Aug. 9, 2022**

(54) **WALL ANCHOR**

FOREIGN PATENT DOCUMENTS

(71) Applicants: **Masterpiece Hardware Industrial Co., Ltd.**, Changhua County (TW); **I-Fang Wang**, Changhua County (TW)

DE 2434713 A1 * 2/1976 F16B 13/124
DE 2625172 A1 * 6/1977 F16B 13/124
(Continued)

(72) Inventor: **I-Fang Wang**, Changhua County (TW)

Primary Examiner — Sheryl Lane

(73) Assignees: **Masterpiece Hardware Industrial Co., Ltd.**, Changhua County (TW); **I-Fang Wang**, Changhua County (TW)

Assistant Examiner — Ieisha N Price

(74) *Attorney, Agent, or Firm* — Winston Hsu

(**) Term: **15 Years**

(57) **CLAIM**

(21) Appl. No.: **29/722,587**

The ornamental design for a wall anchor, as shown and described.

(22) Filed: **Jan. 30, 2020**

(30) **Foreign Application Priority Data**

DESCRIPTION

Nov. 20, 2019 (TW) 108307100

(51) **LOC (13) Cl.** **08-05**

(52) **U.S. Cl.**
USPC **D8/385**

(58) **Field of Classification Search**
USPC D8/382, 385, 386, 387
CPC F16B 13/003; F16B 13/004; F16B 13/005;
F16B 2013/007; F16B 2013/009; F16B
13/02; F16B 13/04; F16B 13/045; F16B
13/06; F16B 13/063; F16B 13/065; F16B
13/066; F16B 13/068; F16B 13/08; F16B
13/0825; F16B 13/124; F16B 13/128
See application file for complete search history.

FIG. 1 is a top, front, right side perspective view for a wall anchor showing my new design;
FIG. 2 is a top, front, left side perspective view thereof;
FIG. 3 is a top, rear, left side perspective view thereof;
FIG. 4 is a top, rear, right side perspective view thereof;
FIG. 5 is a bottom, front, right side perspective view thereof;
FIG. 6 is a bottom, front, left side perspective view thereof;
FIG. 7 is a bottom, rear, left side perspective view thereof;
FIG. 8 is a bottom, rear, right side perspective view thereof;
FIG. 9 is a front elevation view thereof;
FIG. 10 is a rear elevation view thereof;
FIG. 11 is a left side elevation view thereof;
FIG. 12 is a right side elevation view thereof;
FIG. 13 is a top plan view thereof; and,
FIG. 14 is a bottom plan view thereof.
The superimposed areas encased in broken lines, shown in FIG. 13, illustrate portions of the wall anchor and form no part of the claimed design.

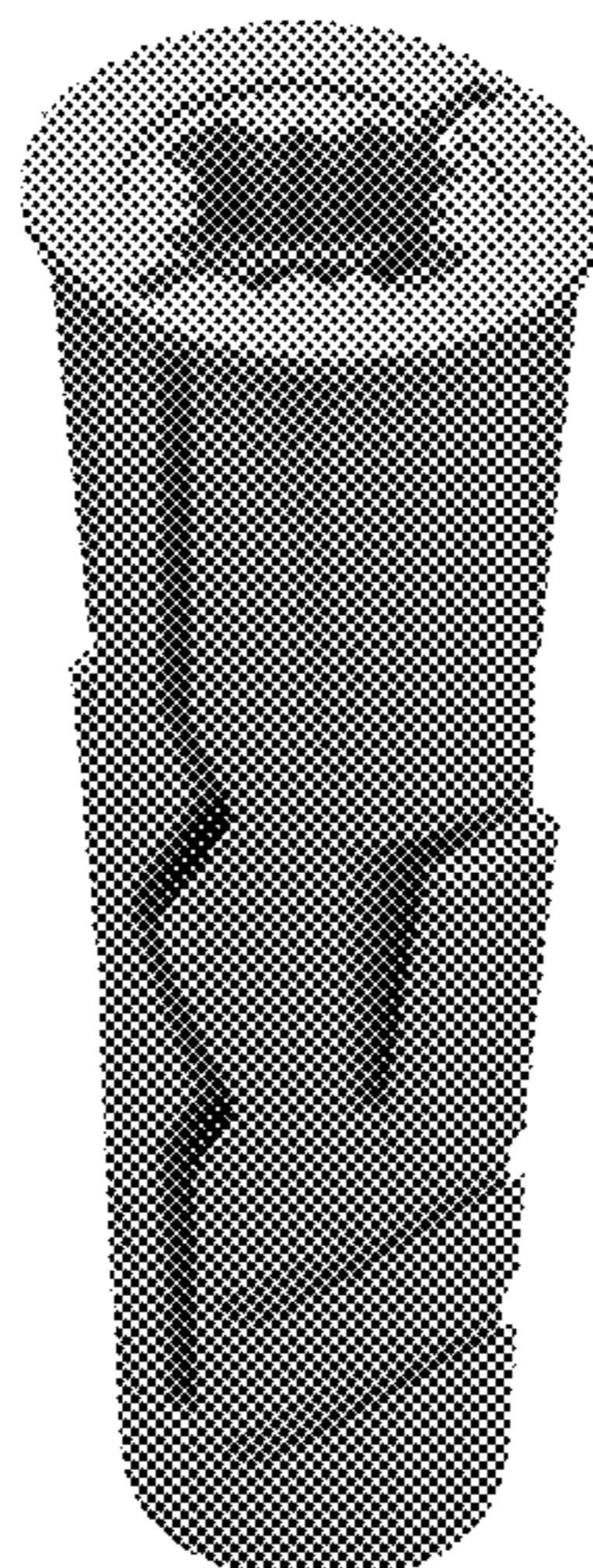
(56) **References Cited**

U.S. PATENT DOCUMENTS

D106,861 S * 11/1937 Dellinger D8/385
2,596,940 A * 5/1952 Poupitch F16B 21/086
411/508
3,080,787 A * 3/1963 Bertelsmann F16B 13/14
411/15
3,171,321 A * 3/1965 Fischer F16B 13/124
411/80.5

(Continued)

1 Claim, 14 Drawing Sheets



(56)

References Cited

U.S. PATENT DOCUMENTS

3,199,398 A * 8/1965 Weisz F16B 13/126
411/80.1
3,232,163 A * 2/1966 Croessant F16B 13/124
411/80.1
3,236,145 A * 2/1966 Schenkel F16B 13/124
411/62
3,323,404 A * 6/1967 Fischer F16B 13/124
411/80.5
3,383,976 A * 5/1968 Schenkel F16B 13/124
411/62
D228,340 S * 9/1973 Jennings D8/385
5,230,595 A * 7/1993 Fischer F16B 13/124
411/508
D371,294 S * 7/1996 Anquetin D8/382
5,603,593 A * 2/1997 Fischer F16B 13/124
411/55
D536,956 S * 2/2007 Huang D8/385
D577,285 S * 9/2008 Gaudron D8/385
7,517,182 B2 * 4/2009 Cabrele F16B 13/061
411/80.5
8,038,375 B2 * 10/2011 Kohan F16B 13/001
411/80.5
D759,472 S * 6/2016 Nehl D8/385
D769,703 S * 10/2016 Kempf D8/385
D771,482 S * 11/2016 Nehl D8/385
D808,786 S * 1/2018 Nehl D8/385

2002/0122710 A1 * 9/2002 Nehl F16B 13/061
411/36
2002/0176761 A1 * 11/2002 Nehl F16B 13/061
411/36
2004/0170484 A1 * 9/2004 Pourtier F16B 13/126
411/57.1
2005/0152768 A1 * 7/2005 Hepworth F16B 13/001
411/82.5
2005/0158139 A1 * 7/2005 Hepworth F16B 13/124
411/55
2006/0093455 A1 * 5/2006 Wieser F16B 13/14
411/71
2008/0292423 A1 * 11/2008 Lin F16B 13/124
411/31
2015/0260213 A1 * 9/2015 Daly F16B 13/124
411/43
2017/0204891 A1 * 7/2017 Nehl F16B 13/124
2017/0211605 A1 * 7/2017 Nehl F16B 13/124

FOREIGN PATENT DOCUMENTS

EP 1092882 A1 * 4/2001 B29C 45/2628
EP 1275860 A1 * 1/2003 F16B 13/124
FR 2367211 A1 * 5/1978 F16B 13/124
FR 2694349 A1 * 2/1994 F16B 13/124
GB 2004963 A * 4/1979 F16B 13/124
GB 2153032 A * 8/1985 F16B 13/066
WO WO-8803996 A1 * 6/1988 F16B 13/061
WO WO-2007000205 A1 * 1/2007 F16B 13/128

* cited by examiner

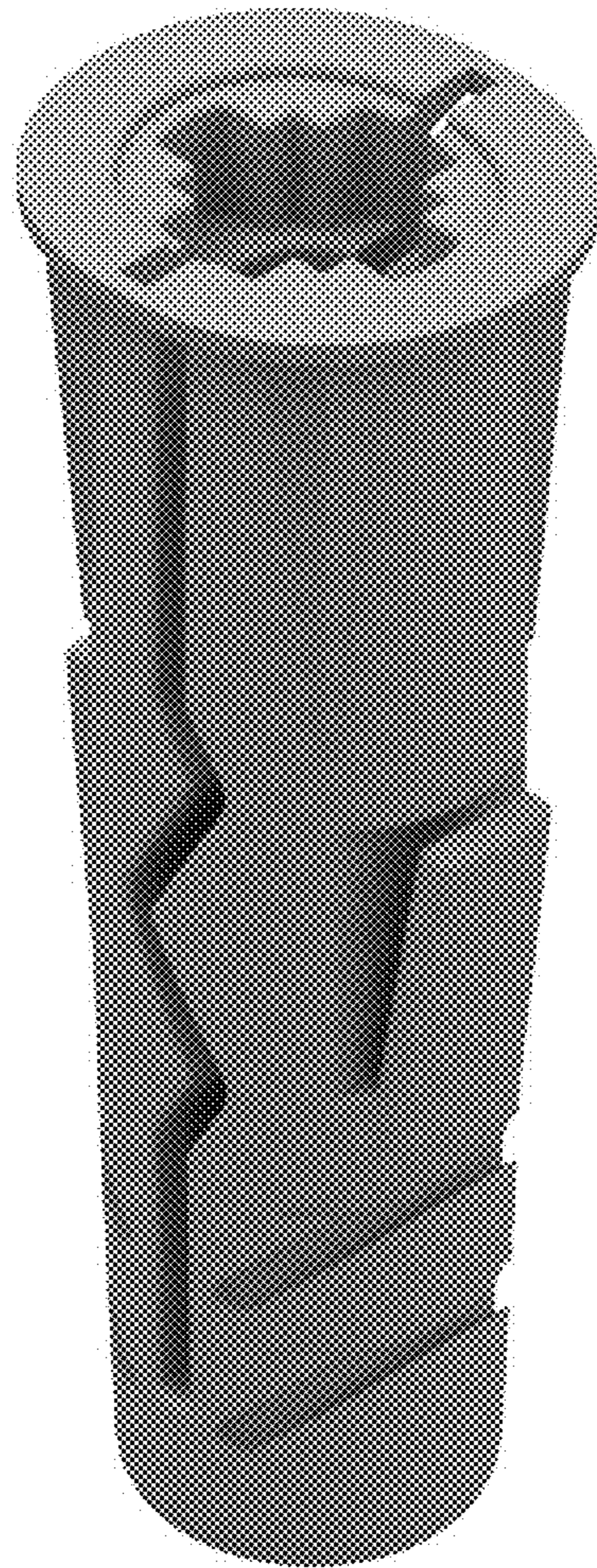


FIG. 1

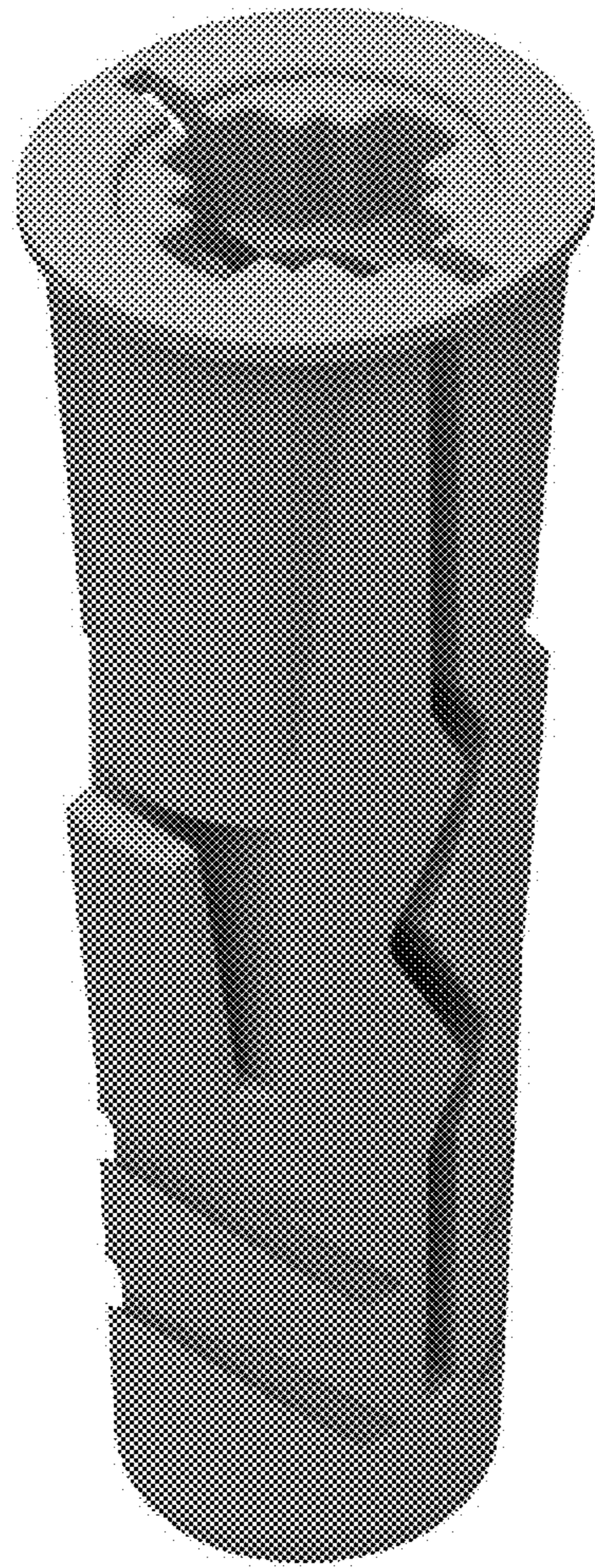


FIG. 2

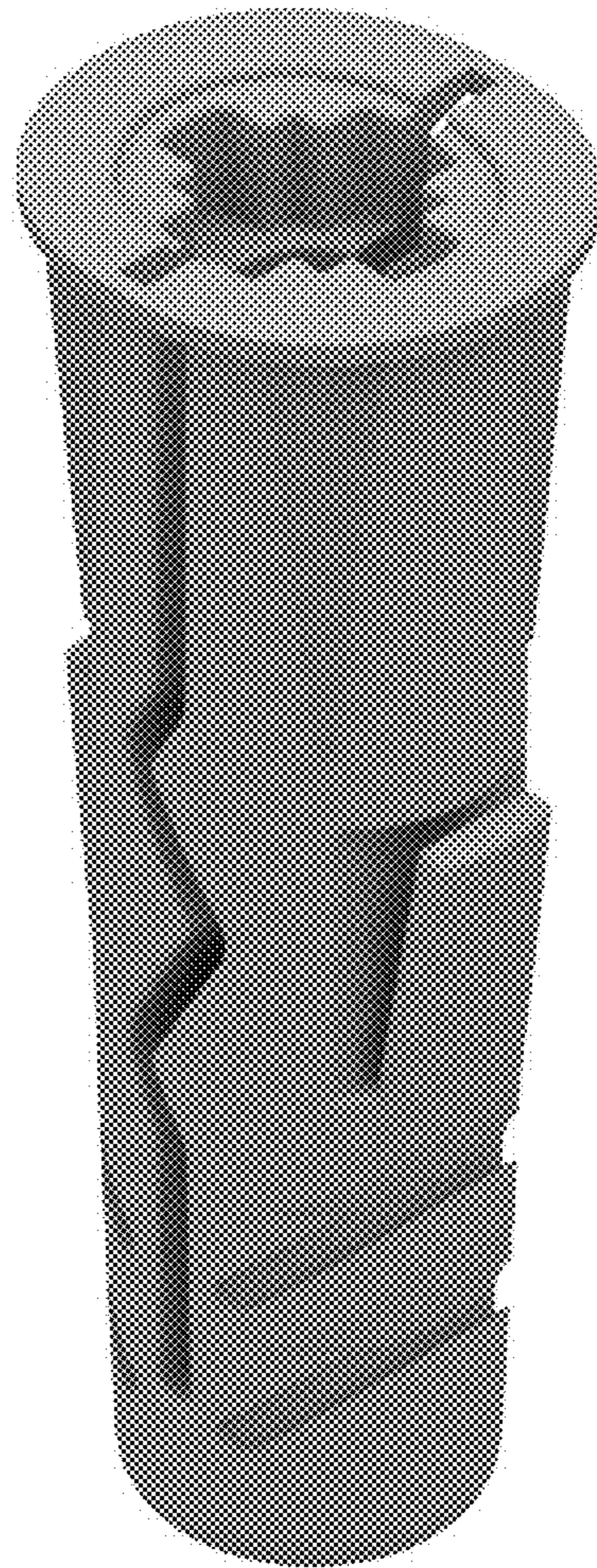


FIG. 3

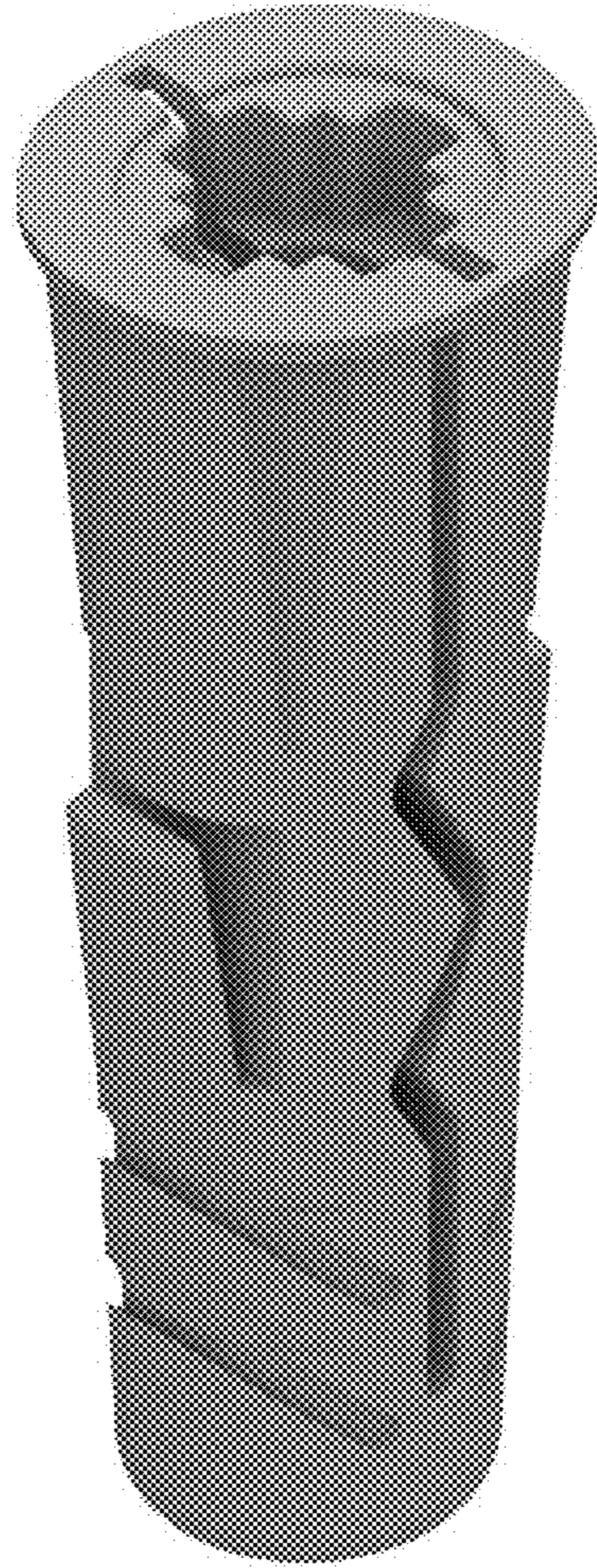


FIG. 4

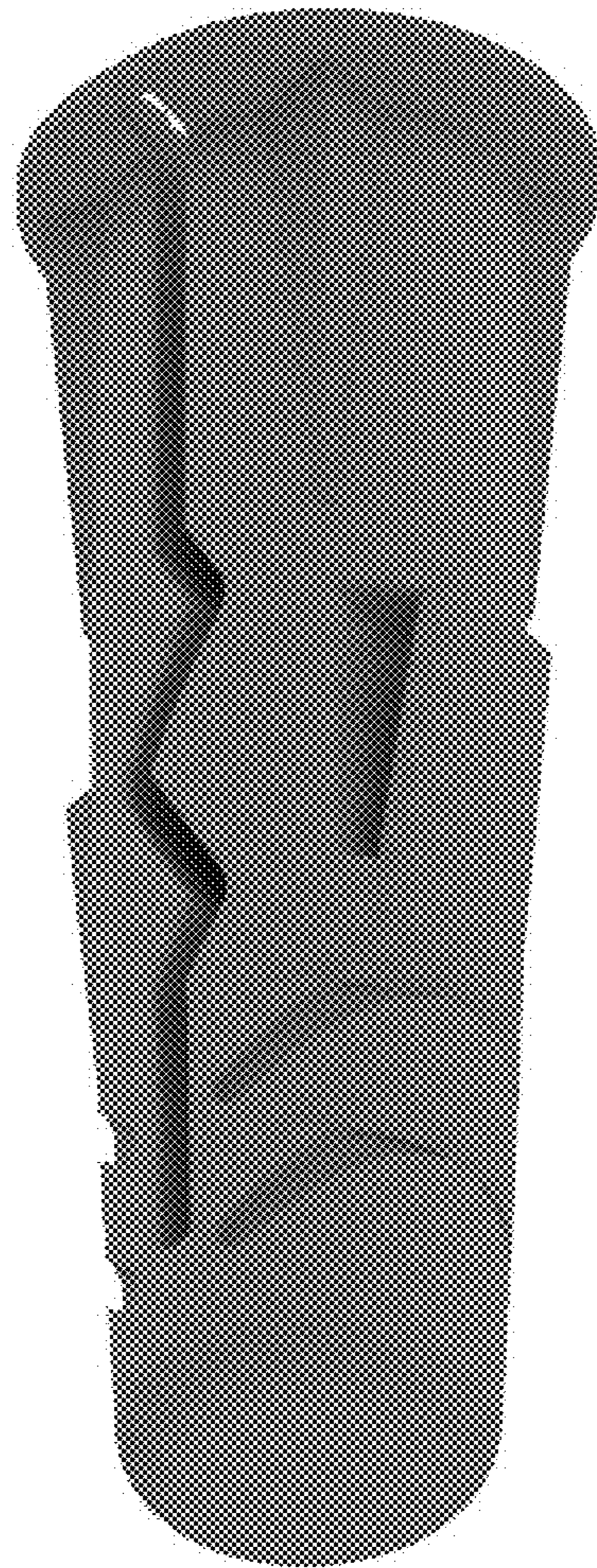


FIG. 5

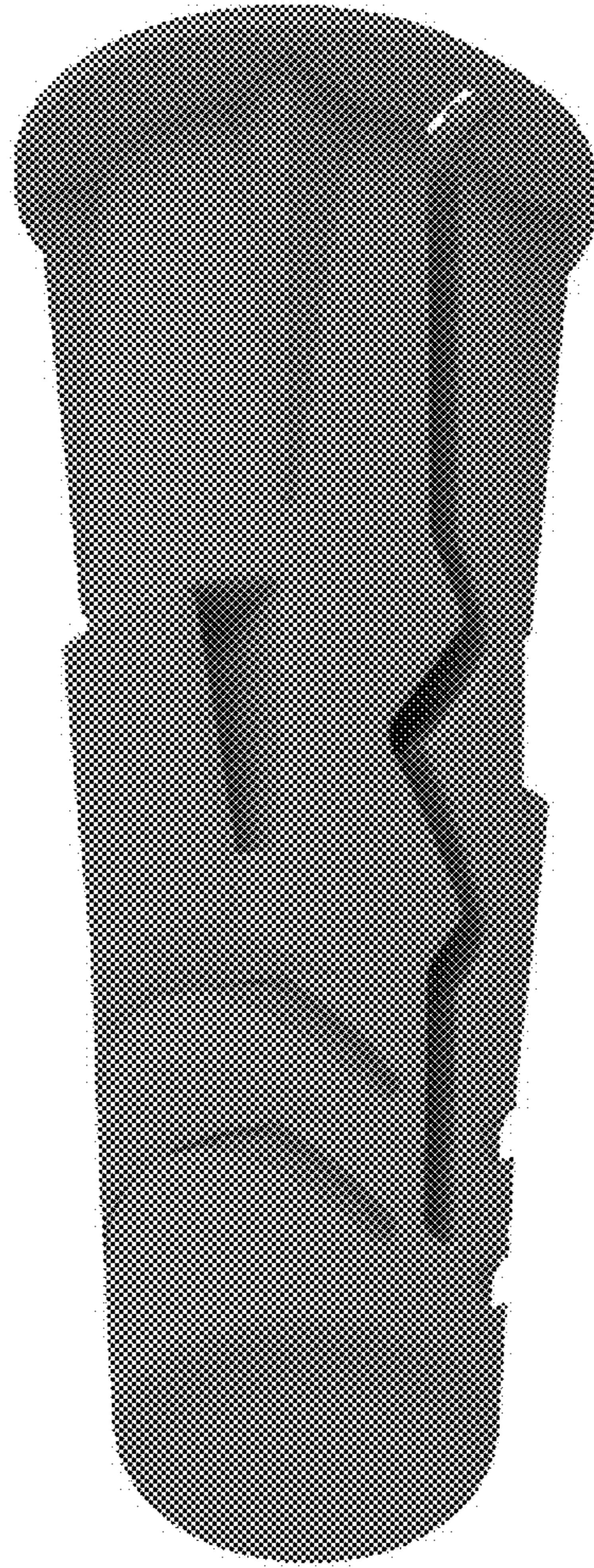


FIG. 6

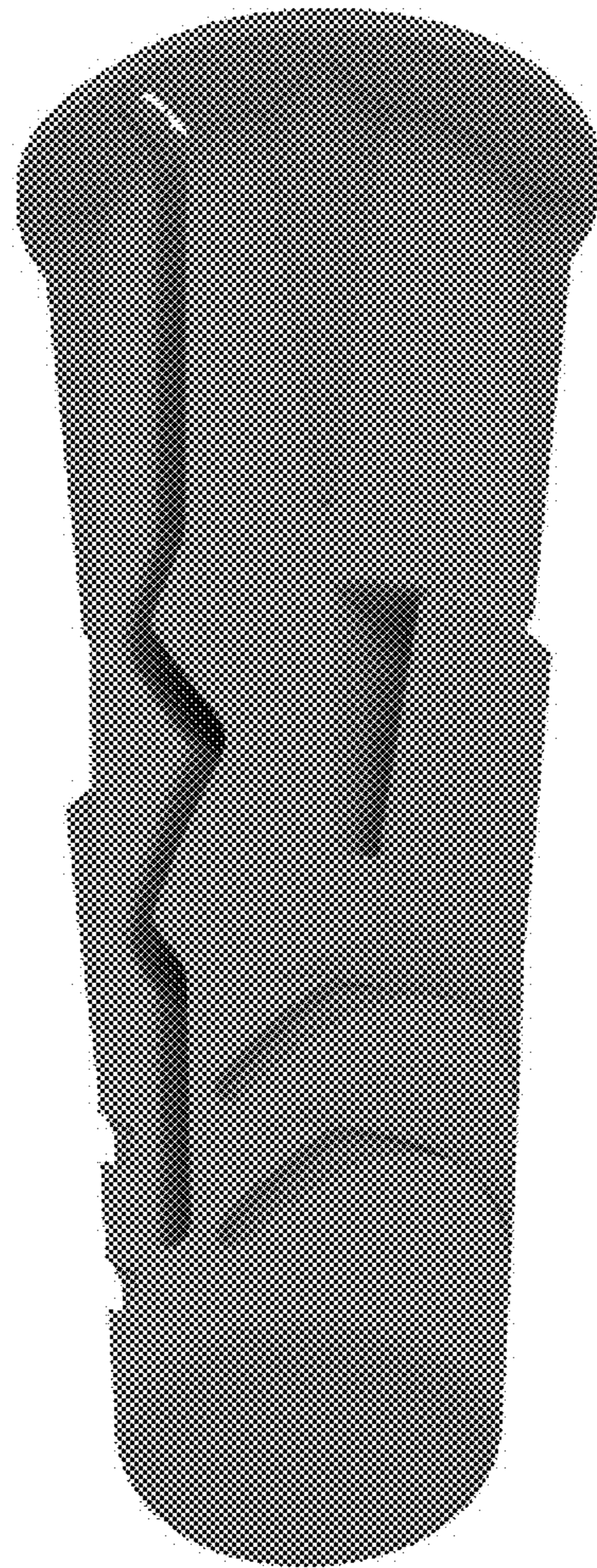


FIG. 7

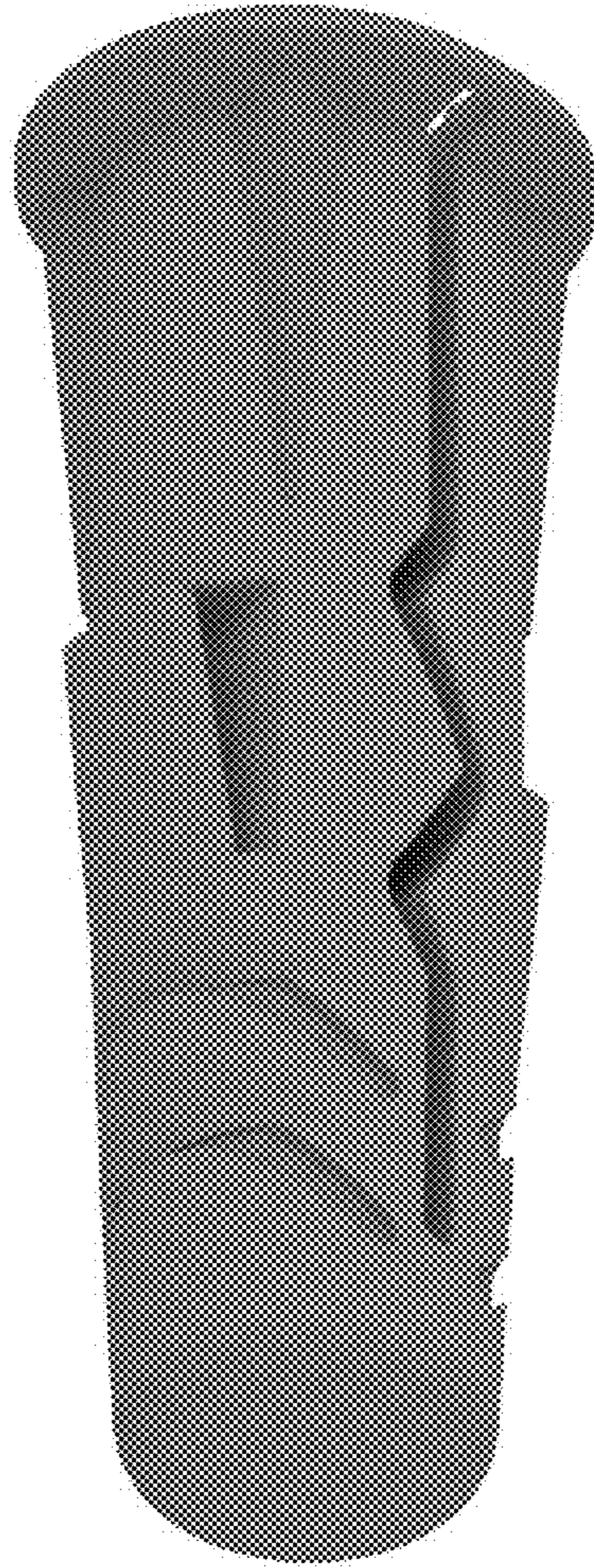


FIG. 8

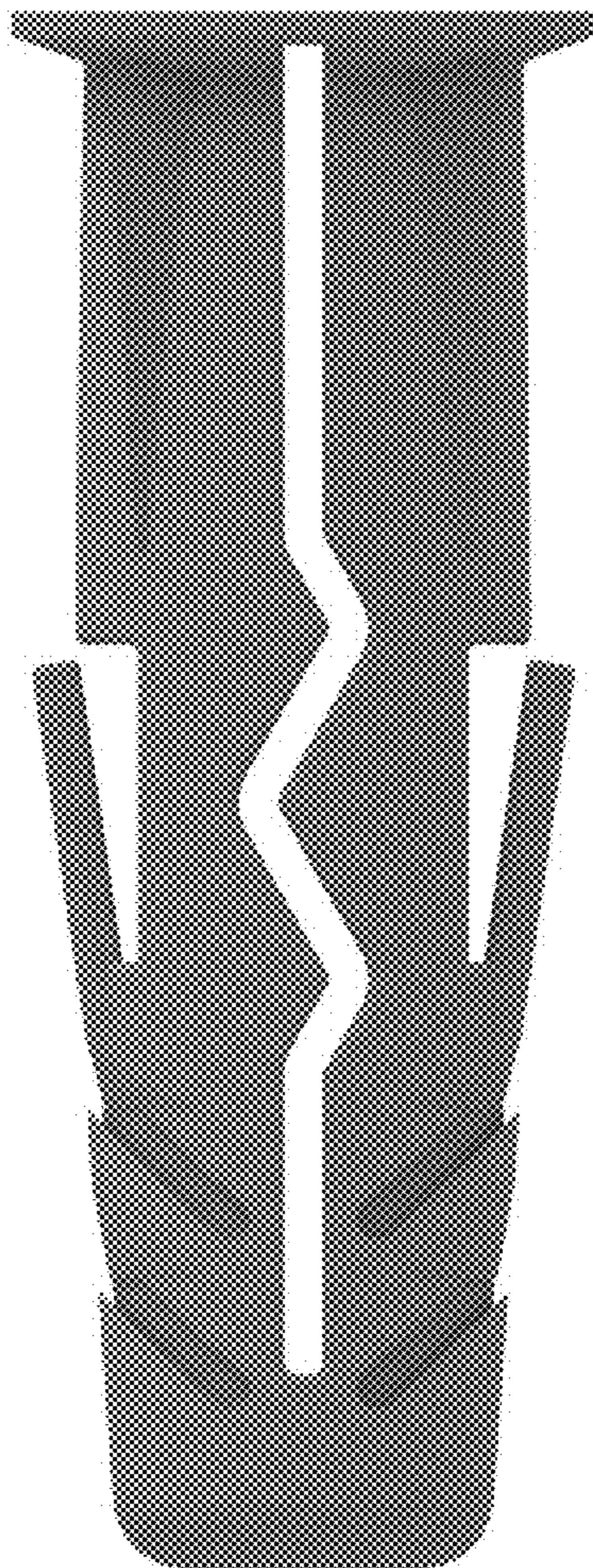


FIG. 9

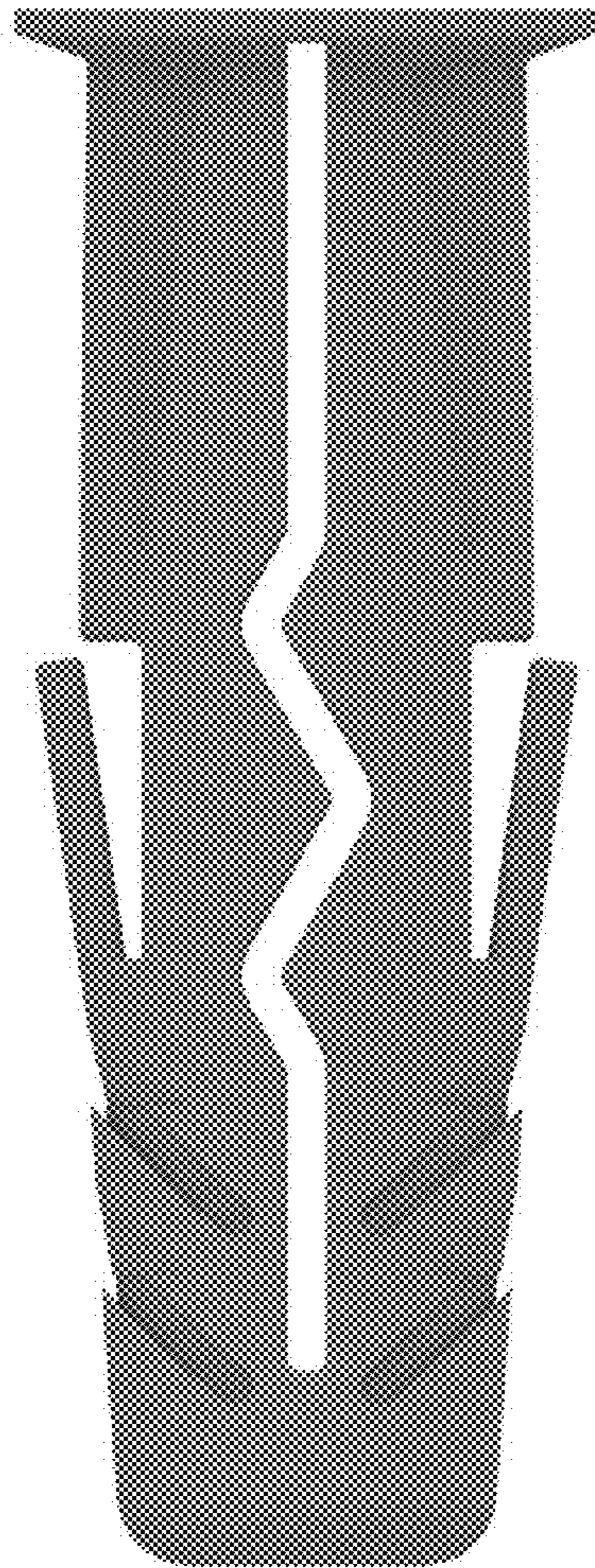


FIG. 10

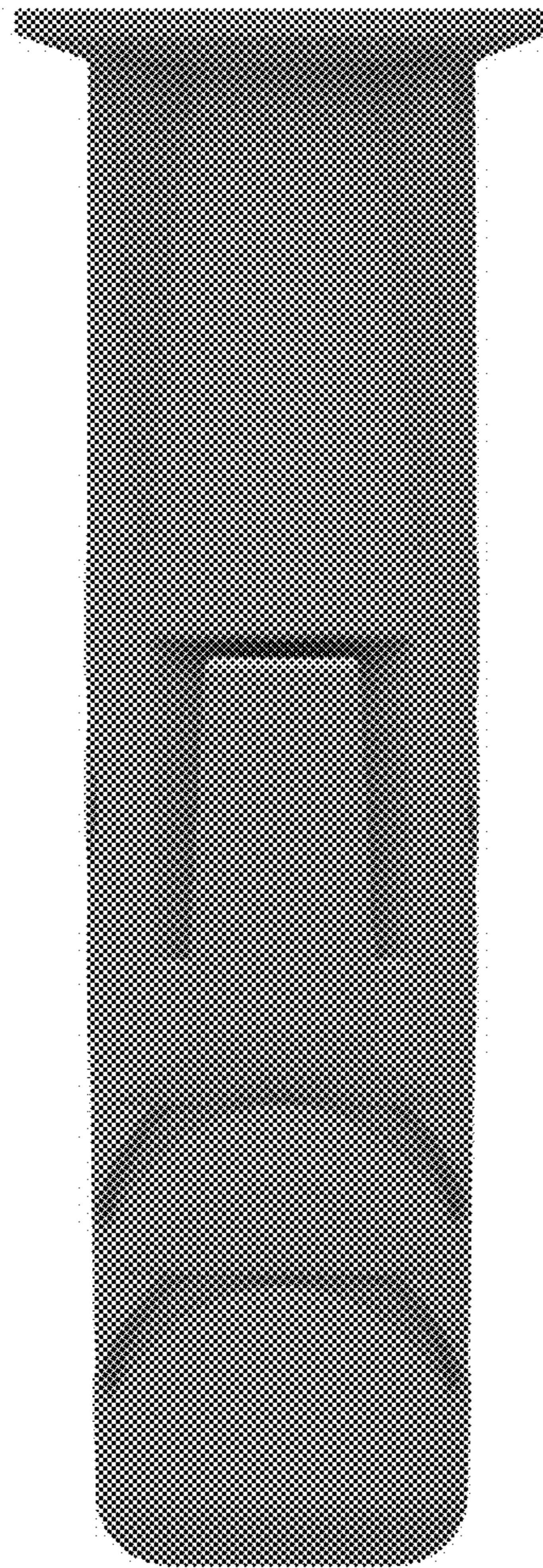


FIG. 11

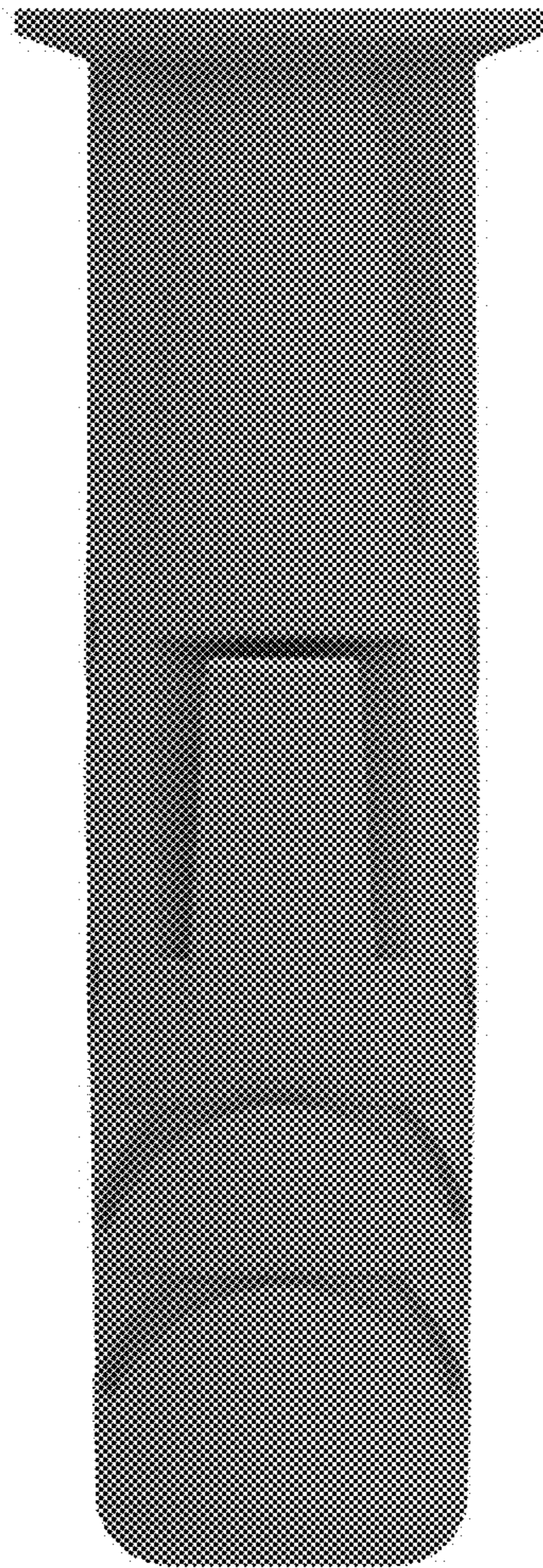


FIG. 12

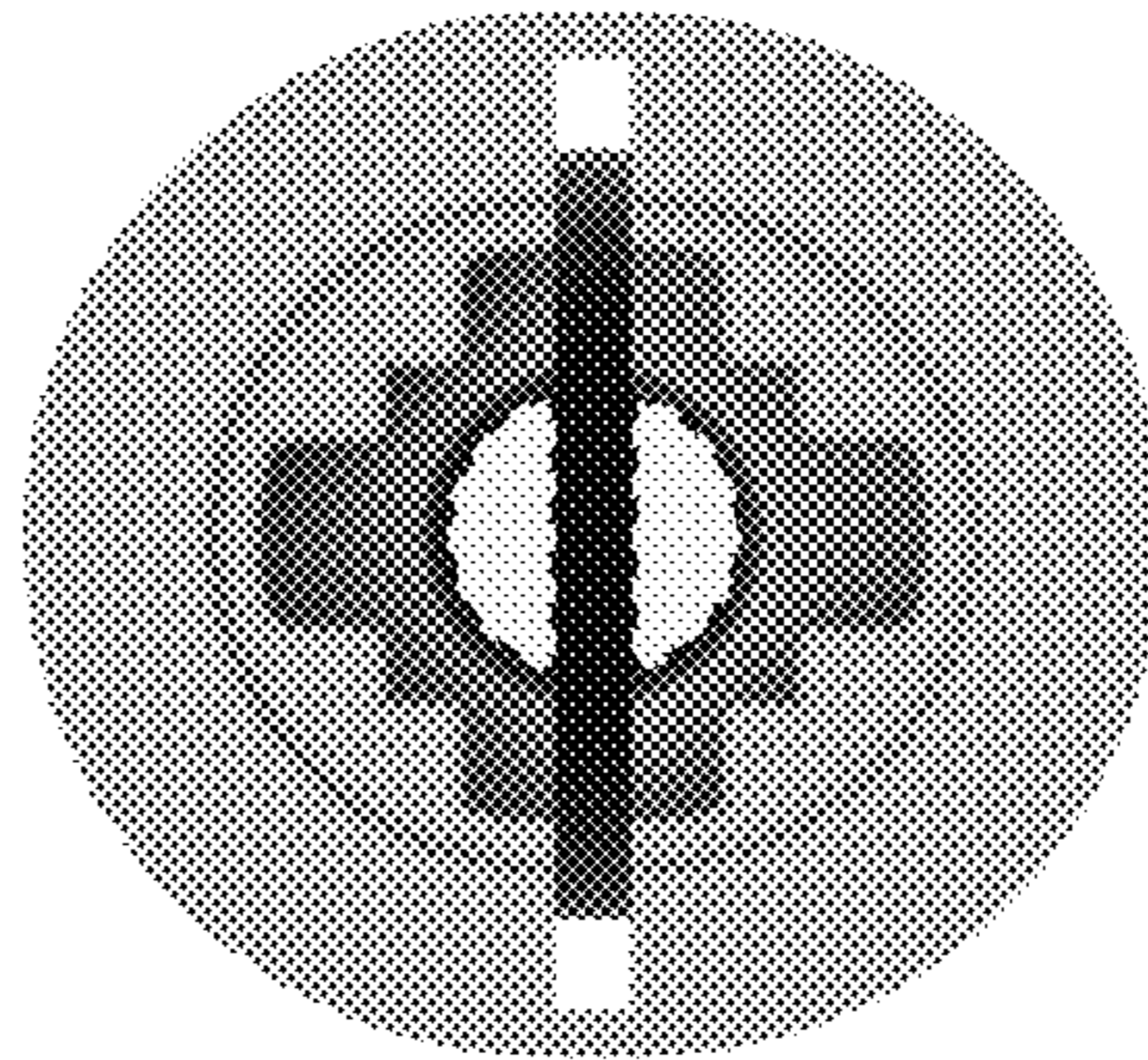


FIG. 13

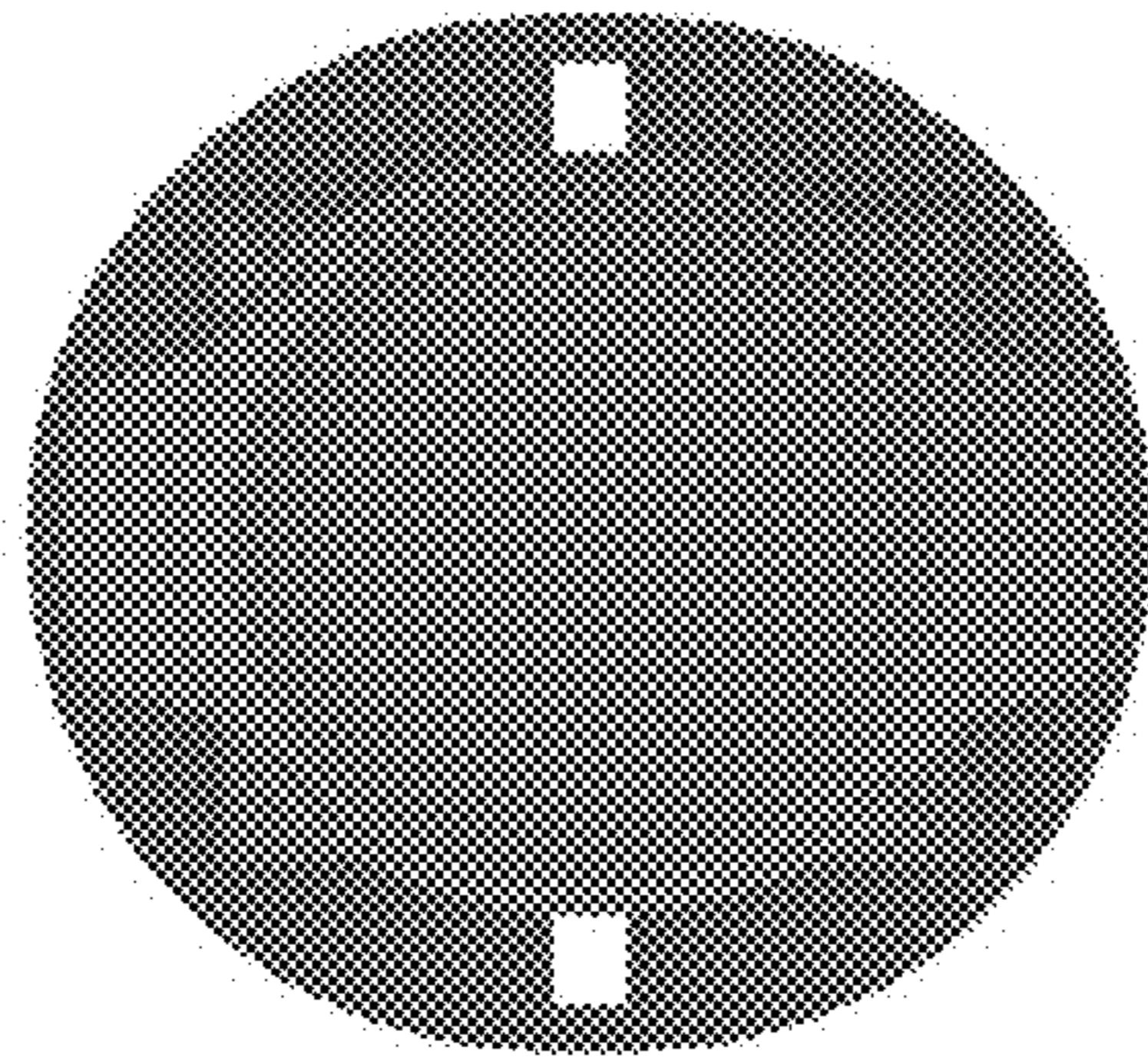


FIG. 14