



US00D959967S

(12) **United States Design Patent** (10) **Patent No.:** **US D959,967 S**
Strohman (45) **Date of Patent:** **** *Aug. 9, 2022**

- (54) **EXTRUDED TRACK**
- (71) Applicant: **Gorbel, Inc.**, Fishers, NY (US)
- (72) Inventor: **Benjamin A. Strohman**, Rochester, NY (US)
- (73) Assignee: **Gorbel, Inc.**, Fishers, NY (US)
- (*) Notice: This patent is subject to a terminal disclaimer.
- (**) Term: **15 Years**
- (21) Appl. No.: **29/702,894**
- (22) Filed: **Aug. 22, 2019**
- (51) **LOC (13) Cl.** **08-05**
- (52) **U.S. Cl.**
USPC **D8/377**
- (58) **Field of Classification Search**
USPC D8/376-377, 373, 363-365, 354, 356;
D25/119-121, 124-127, 133-134, 136,
D25/38.1, 41.1, 43; D6/580-581, 711,
D6/524, 546-547, 550, 556, 554, 512,
D6/327, 324
CPC ... E04F 10/06; E04F 10/0603; E04F 10/0681;
E04F 10/0685; E04F 19/00; E04F 19/02;
E04F 19/04; A47F 1/12; A47F 5/005
See application file for complete search history.

- D670,946 S * 11/2012 Ng D6/580
- D728,826 S * 5/2015 Cyphers D25/38.1
- D734,495 S * 7/2015 Walde D25/38.1
- D745,299 S * 12/2015 Chang D6/709
- D747,127 S * 1/2016 Chang D6/709
- D754,366 S * 4/2016 Morton D25/124
- D764,378 S * 8/2016 Conrad D12/317
- D764,379 S * 8/2016 Conrad D12/317
- D811,204 S * 2/2018 Weldon
- D852,378 S * 6/2019 Springborn D25/38.1
- D852,379 S * 6/2019 Springborn D25/38.1
- D852,380 S * 6/2019 Springborn D25/38.1
- D852,381 S * 6/2019 Springborn D25/38.1
- D852,382 S * 6/2019 Springborn D25/38.1
- D854,855 S * 7/2019 Garcia Garcia D6/580

(Continued)

Primary Examiner — Sandra Snapp
Assistant Examiner — Elizabeth Sun Ko
 (74) *Attorney, Agent, or Firm* — Duane C. Basch; Basch & Nickerson LLP

(57) **CLAIM**

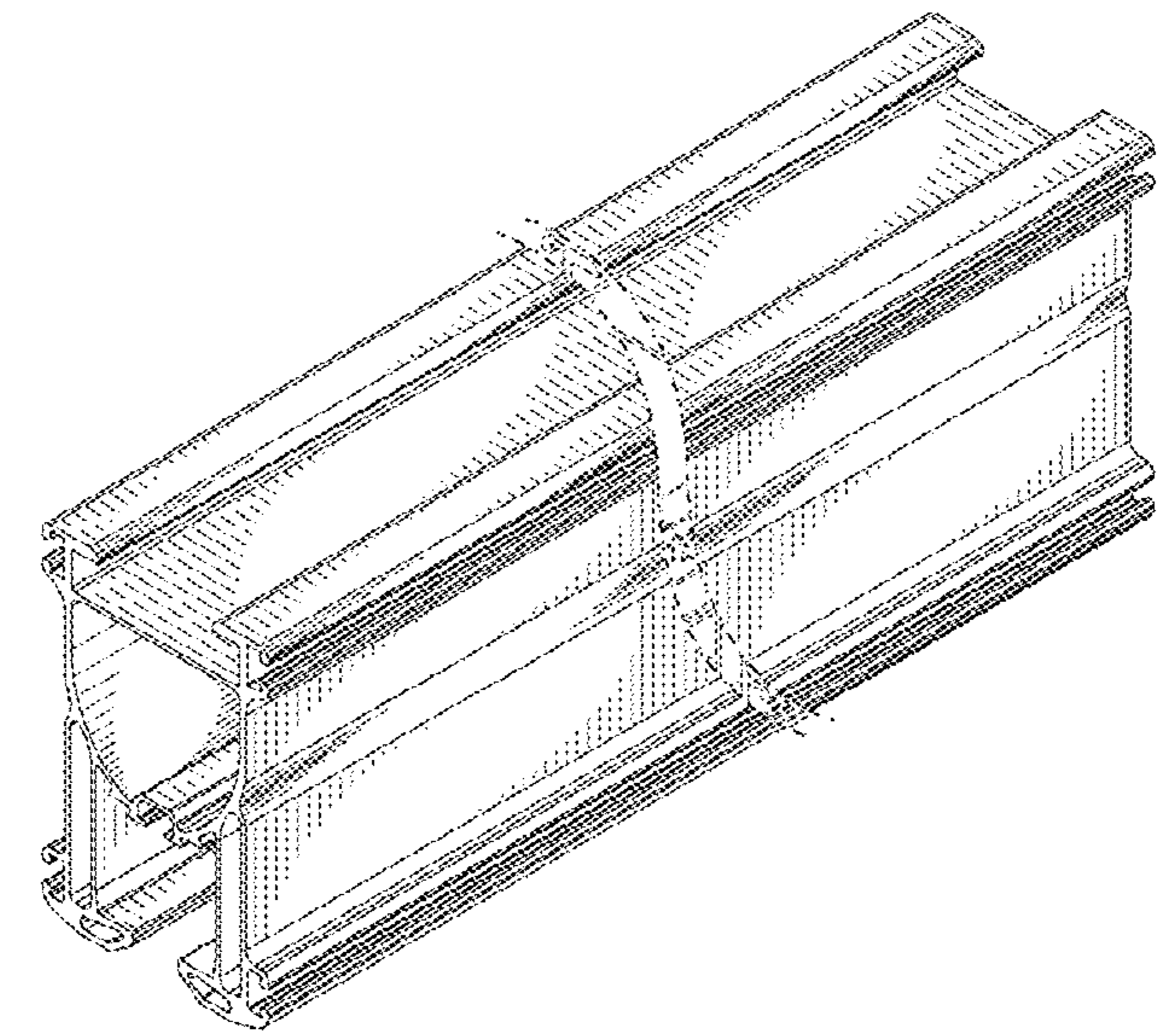
The ornamental design for an extruded track, as shown and described.

DESCRIPTION

FIG. 1 is a top perspective view of the top, front and right side of an extruded track;
 FIG. 2 is a front view thereof;
 FIG. 3 is a right side view thereof;
 FIG. 4 is a rear view thereof;
 FIG. 5 is a left side view thereof;
 FIG. 6 is a top view thereof;
 FIG. 7 is a bottom view thereof; and,
 FIG. 8 is a bottom perspective view of the bottom, front and left side.
 The claimed design is shown with dashed symbolic break lines in its length. The appearance of any portion of the extruded track between the symbolic break lines forms no part of the claimed design.

1 Claim, 8 Drawing Sheets

- (56) **References Cited**
U.S. PATENT DOCUMENTS
- D335,624 S * 5/1993 Siener D25/123
- D417,607 S * 12/1999 Vining D25/119
- D419,858 S * 2/2000 Bosgoed D25/121
- D488,055 S * 4/2004 Ter Braak D8/377
- D589,724 S * 4/2009 Howe D25/126
- D600,364 S * 9/2009 Boardman D25/133
- D600,831 S * 9/2009 Munakata D25/126
- D662,403 S * 6/2012 Page D8/377
- D669,769 S * 10/2012 Lapping D8/377



(56)

References Cited

U.S. PATENT DOCUMENTS

D854,856 S	*	7/2019	Garcia Garcia	D6/580
D901,938 S	*	11/2020	Haapalahti	D6/580
D909,618 S	*	2/2021	Zhao	D25/121
D915,283 S	*	4/2021	Steininger	D13/128
D917,731 S	*	4/2021	Nelson	D25/124
D920,769 S	*	6/2021	Kovacs	D8/377
D922,615 S	*	6/2021	Springborn	D25/38.1

* cited by examiner

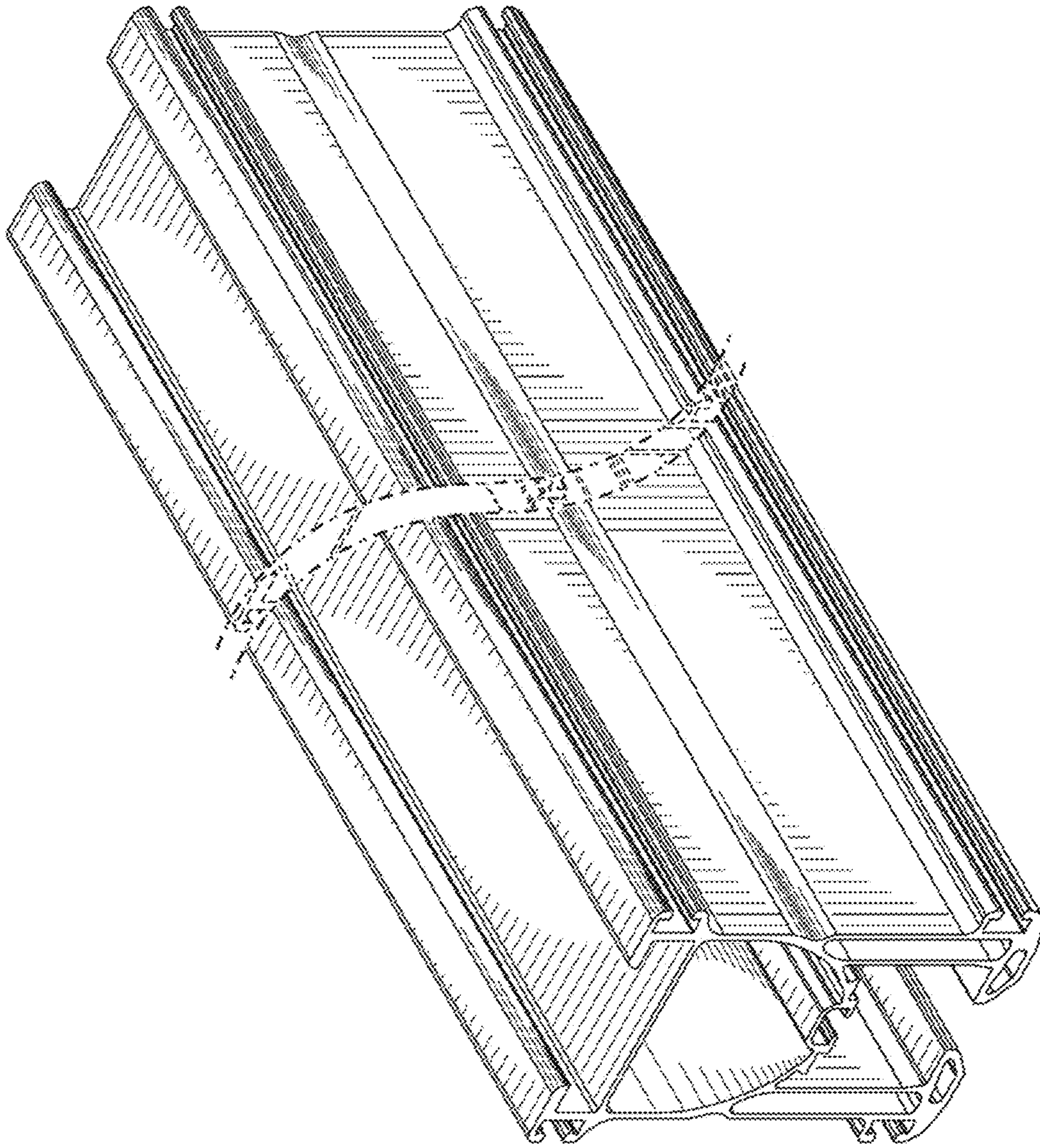


FIG. 1

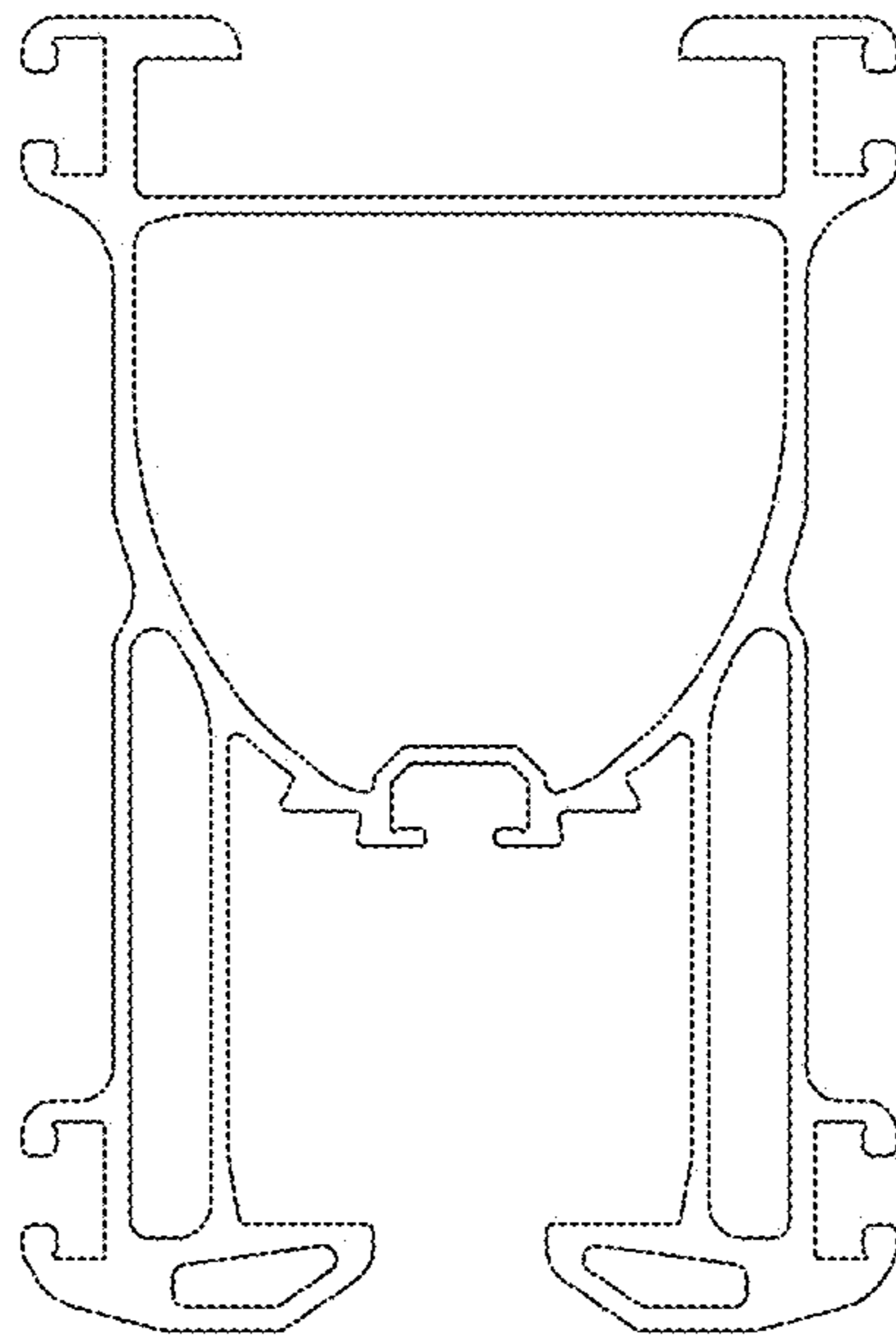


FIG. 2

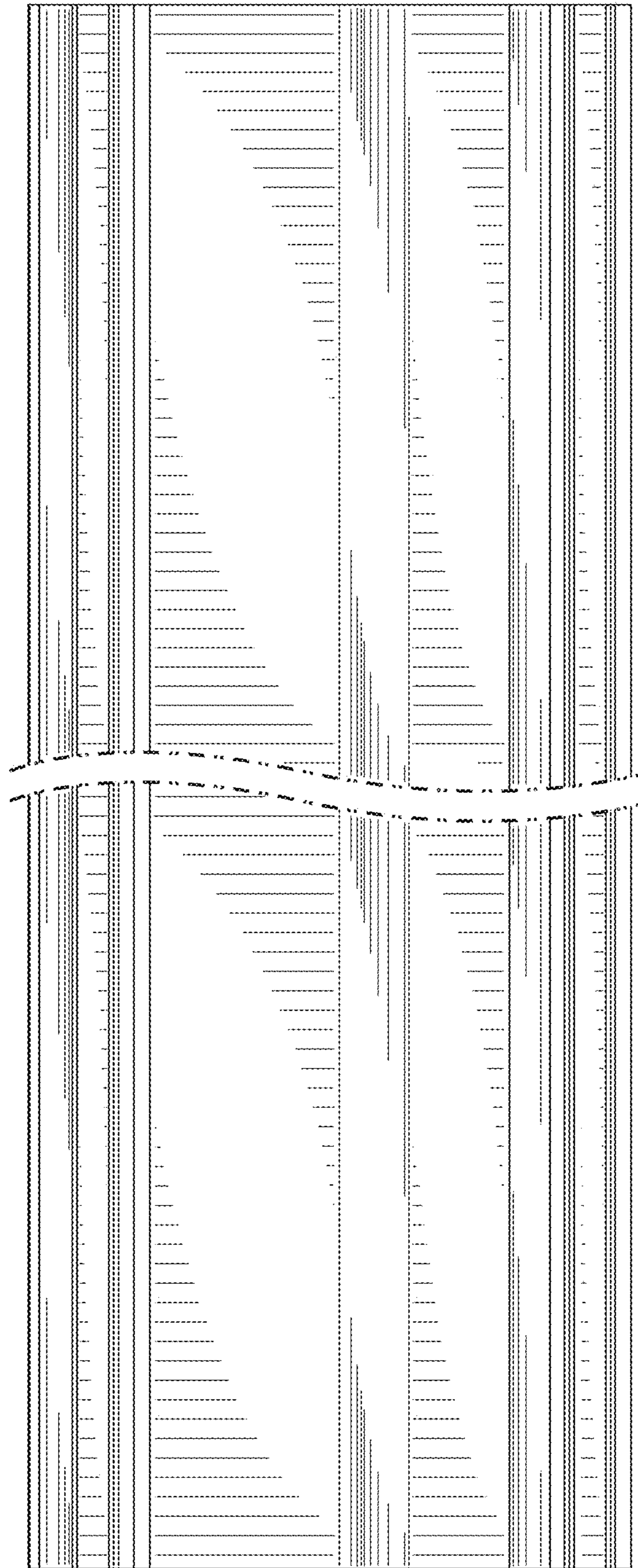


FIG. 3

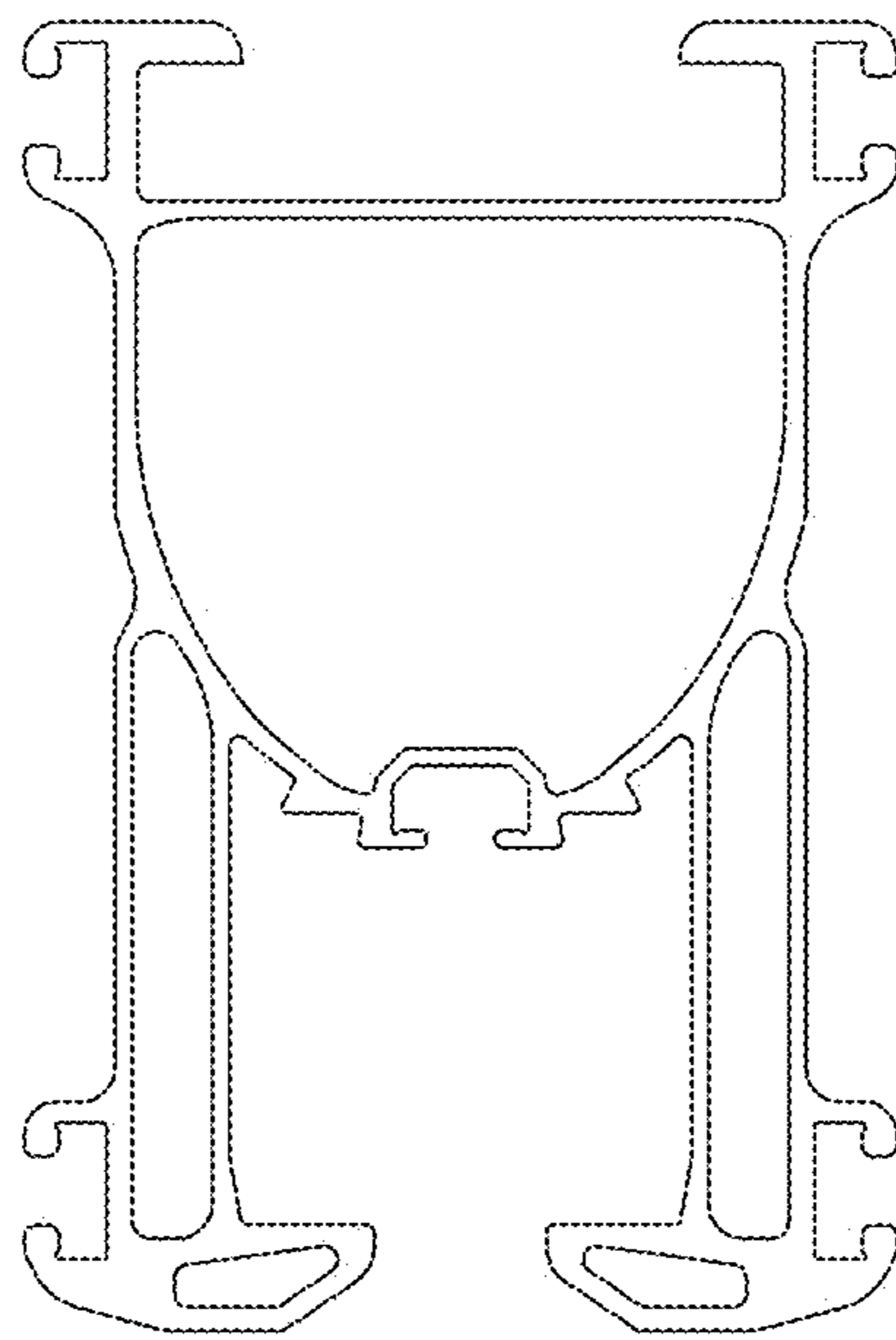


FIG. 4

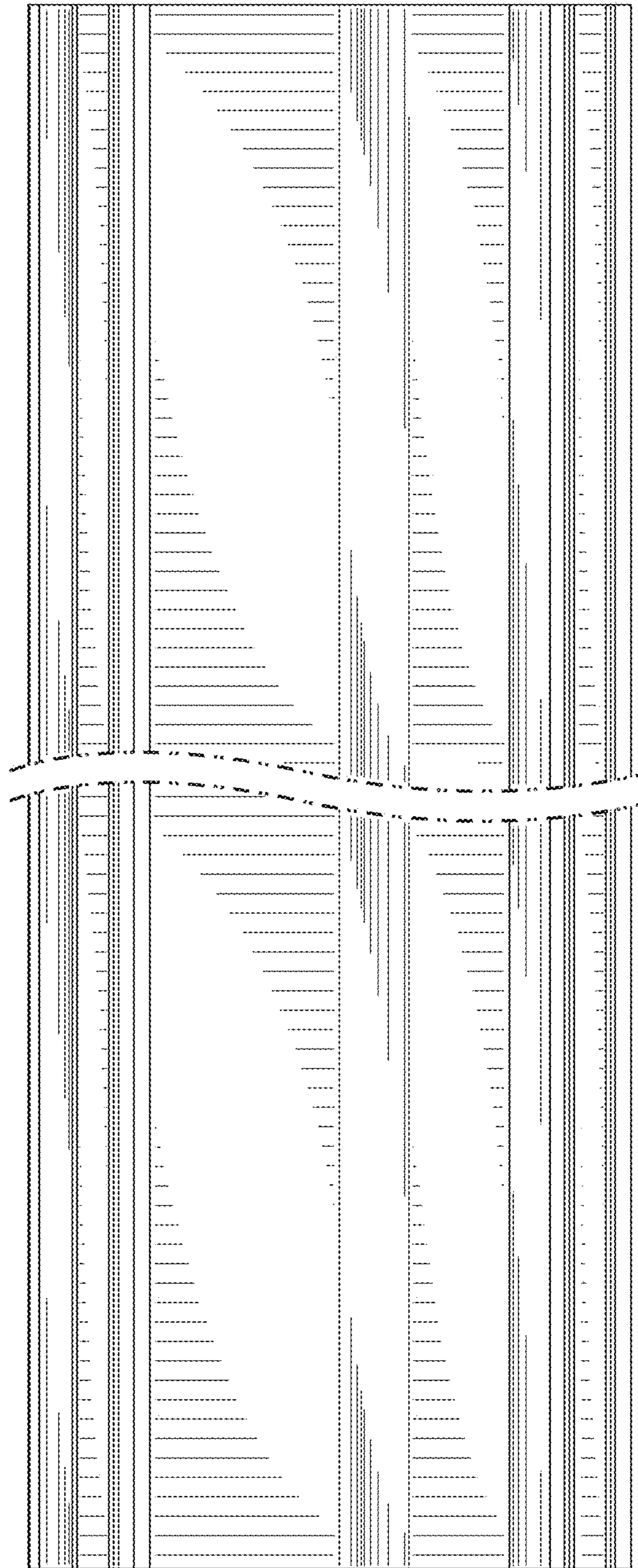


FIG. 5

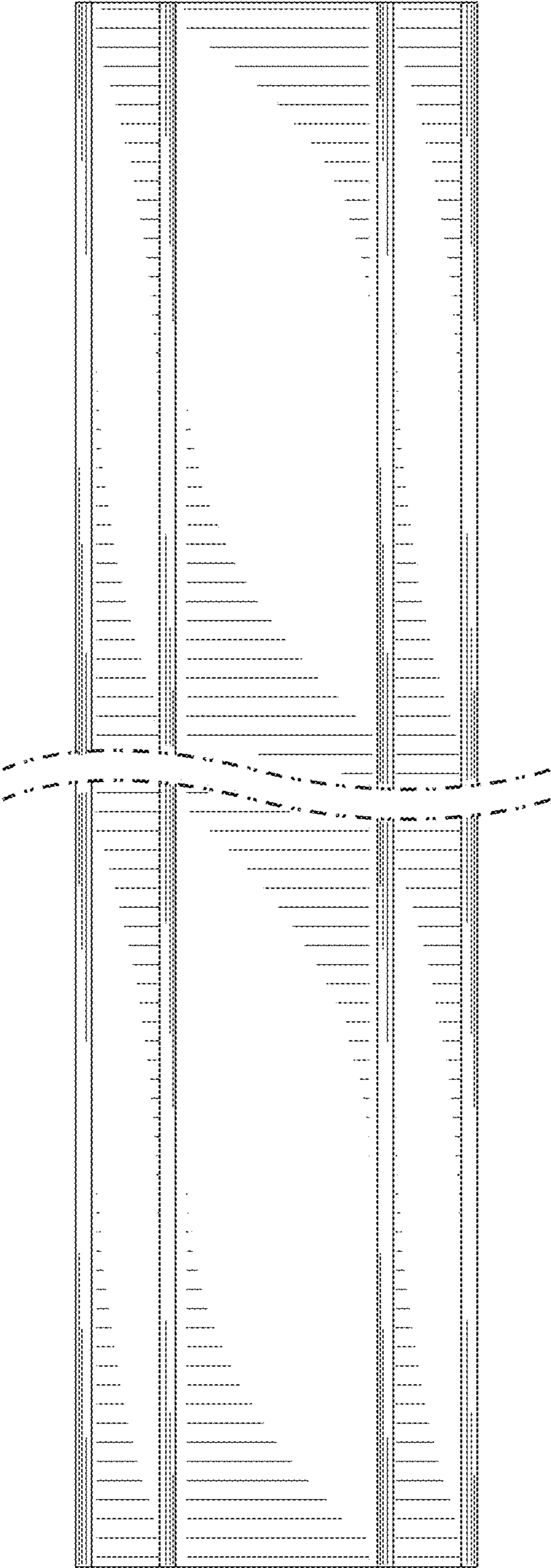


FIG. 6

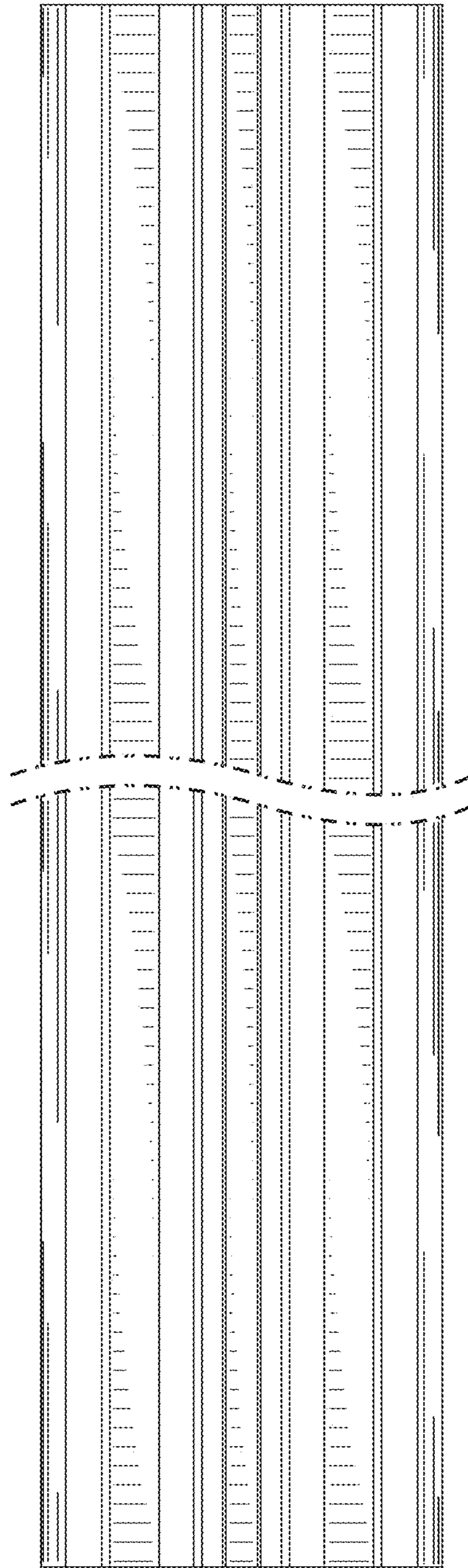


FIG. 7

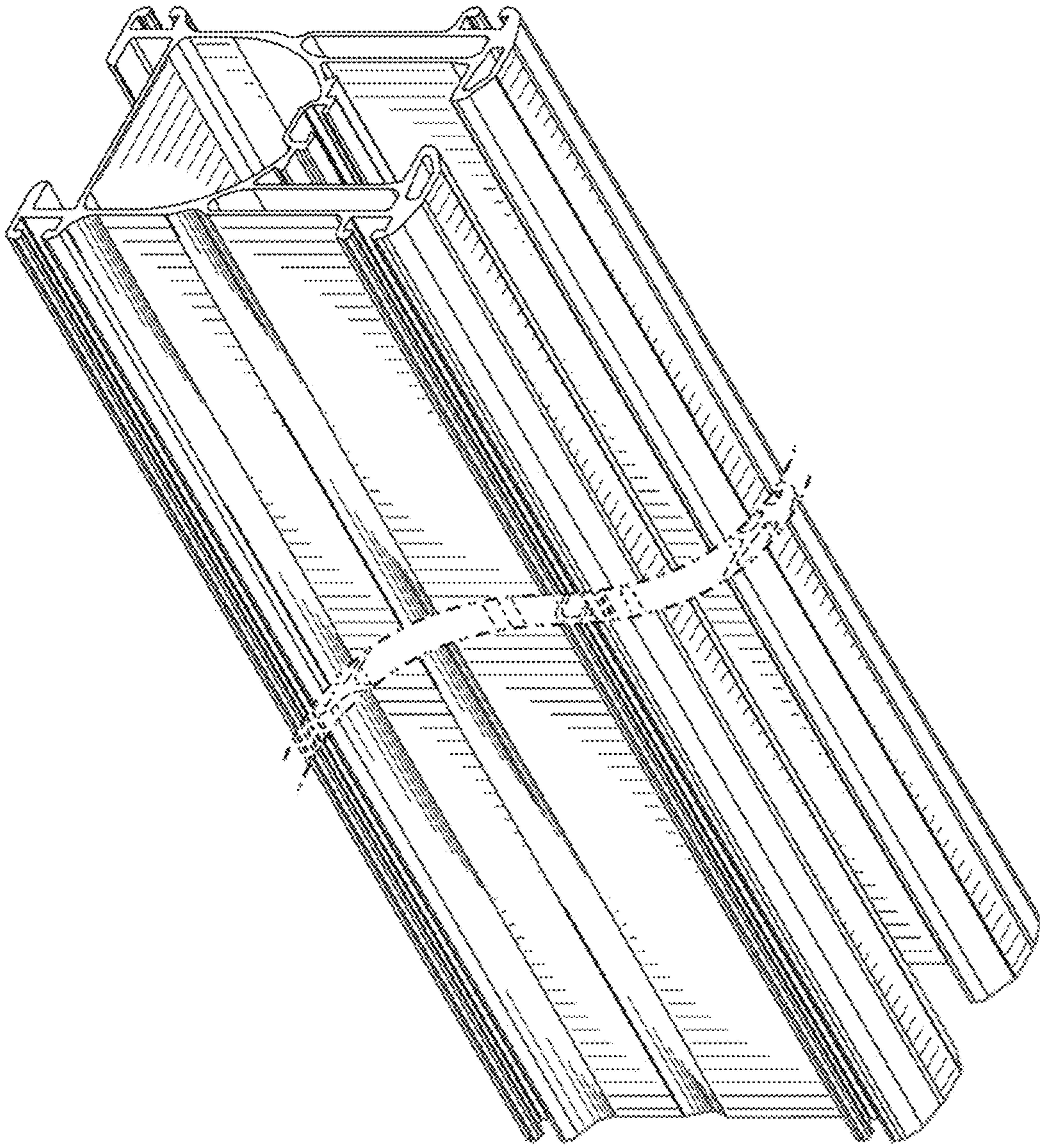


FIG. 8