



US00D959963S

(12) **United States Design Patent** (10) **Patent No.:** **US D959,963 S**  
**Liu** (45) **Date of Patent:** **\*\* Aug. 9, 2022**

(54) **CURTAIN HOLDBACK TIE**  
(71) Applicant: **Hangzhou jiyuan fangzhi co., Ltd.**,  
Hangzhou (CN)  
(72) Inventor: **Lunpo Liu**, Hangzhou (CN)  
(\*\*) Term: **15 Years**  
(21) Appl. No.: **29/796,376**  
(22) Filed: **Jun. 24, 2021**  
(51) **LOC (13) Cl.** ..... **08-11**  
(52) **U.S. Cl.**  
USPC ..... **D8/368**  
(58) **Field of Classification Search**  
USPC ..... D8/367, 356, 354, 349, 18, 105, 368;  
248/341; 224/217; 24/1, 702  
CPC ..... A45F 5/021; A44B 13/0029; F16B 45/00;  
F16M 13/02  
See application file for complete search history.

(56) **References Cited**  
U.S. PATENT DOCUMENTS  
1,377,066 A \* 5/1921 Garrabrant ..... A47H 19/00  
24/1  
D475,278 S \* 6/2003 Williams ..... D8/367  
D519,310 S \* 4/2006 Schorling ..... D6/580  
D597,825 S \* 8/2009 Ho ..... D8/367  
D618,536 S \* 6/2010 Eason ..... D8/367  
7,771,221 B1 \* 8/2010 Blackwell ..... H01R 13/52  
439/282  
D642,450 S \* 8/2011 Freese ..... D8/367  
8,534,626 B1 \* 9/2013 Freese ..... A47G 29/083  
24/376

D721,570 S \* 1/2015 Caughron ..... D8/367  
9,084,502 B2 \* 7/2015 Lapadula ..... A47H 19/00  
D813,654 S \* 3/2018 Erickson ..... D8/367  
D848,246 S \* 5/2019 Jones ..... D8/368  
D866,304 S 11/2019 Qi  
D891,233 S \* 7/2020 Yu ..... D8/367  
D910,424 S 2/2021 Yu  
D911,154 S 2/2021 Jiao  
D918,022 S \* 5/2021 Yu ..... D8/368  
D924,671 S \* 7/2021 Yan ..... D8/368  
D924,672 S \* 7/2021 Zhang ..... D8/368

\* cited by examiner

*Primary Examiner* — Cynthia R Underwood

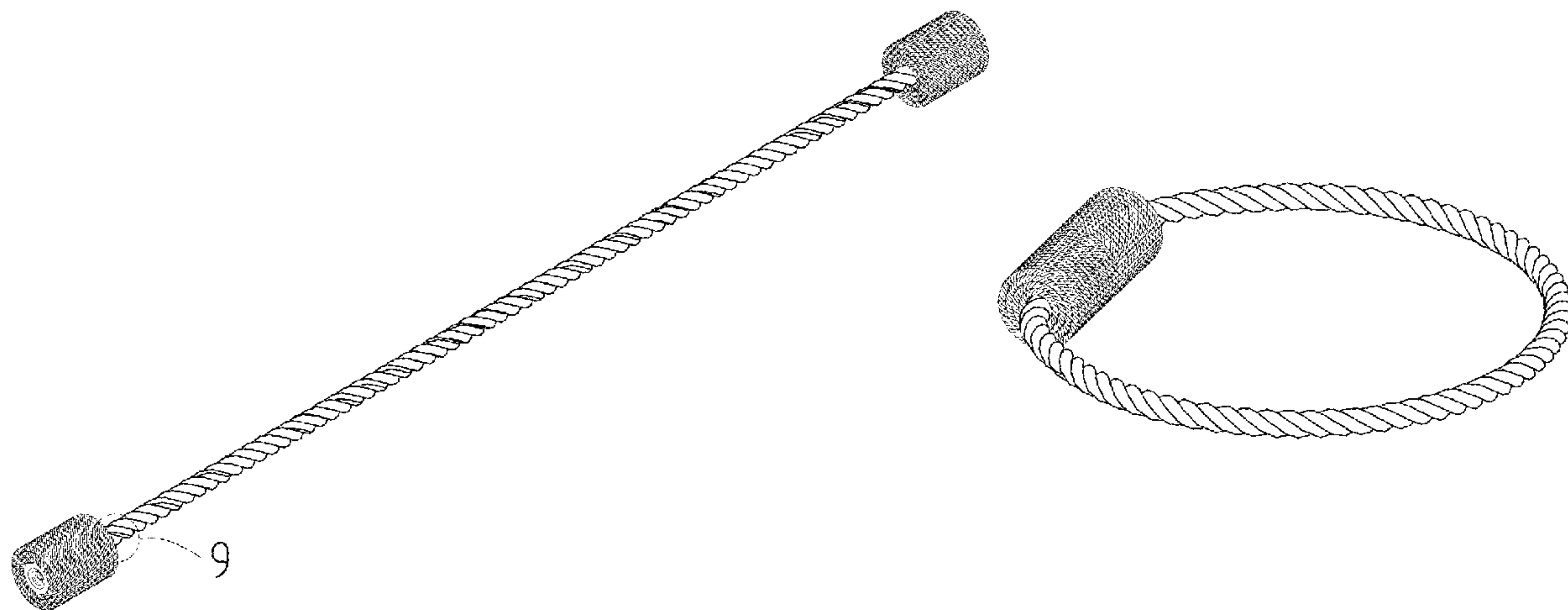
(57) **CLAIM**

The ornamental design for a curtain holdback tie, as shown and described.

**DESCRIPTION**

FIG. 1 is a perspective view of a curtain holdback tie showing my new design;  
FIG. 2 is a front view thereof;  
FIG. 3 is a back view thereof;  
FIG. 4 is a left side view thereof;  
FIG. 5 is a right side view thereof;  
FIG. 6 is a top view thereof;  
FIG. 7 is a bottom view thereof;  
FIG. 8 is a perspective view of another state of the curtain holdback tie thereof; and,  
FIG. 9 is an enlarged view of the selected portion in FIG. 1. The broken lines shown in the drawings depict portions of the curtain holdback tie in which the design is embodied that form no part of the claimed design.

**1 Claim, 9 Drawing Sheets**



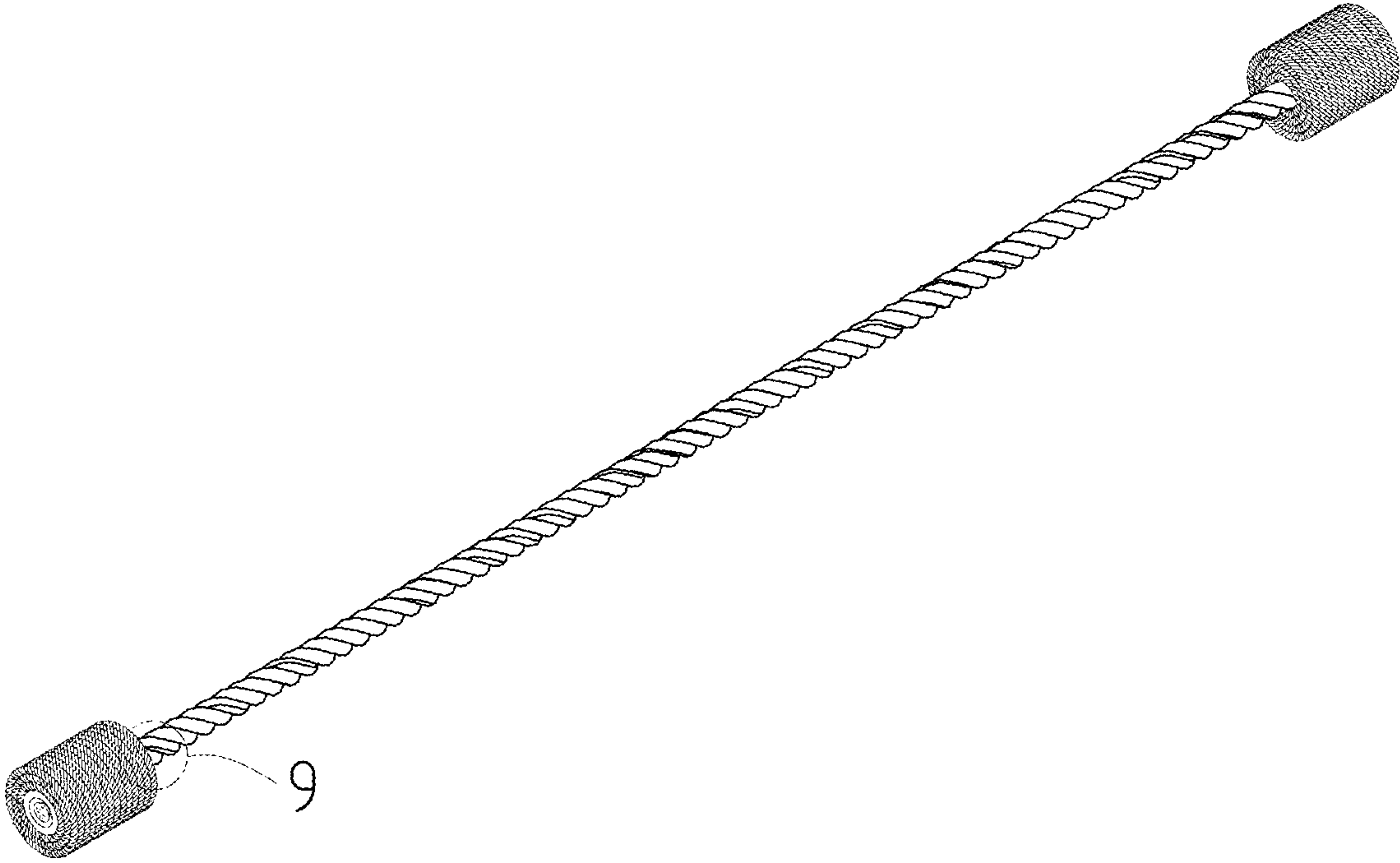


FIG. 1

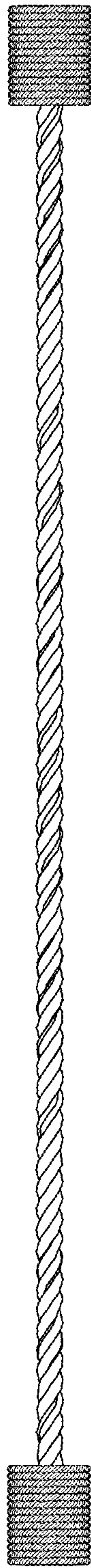


FIG. 2

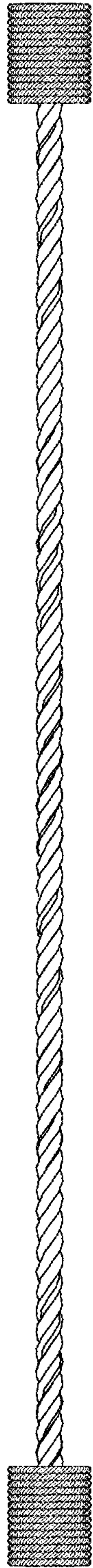


FIG. 3

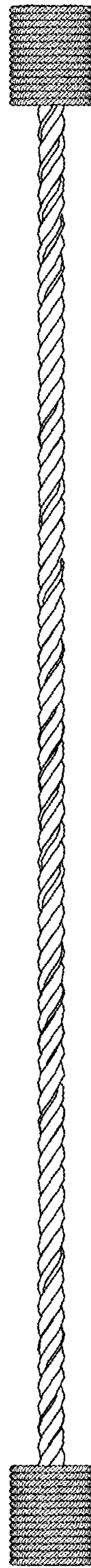


FIG. 4

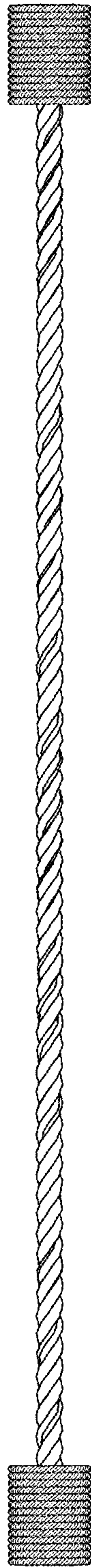


FIG. 5



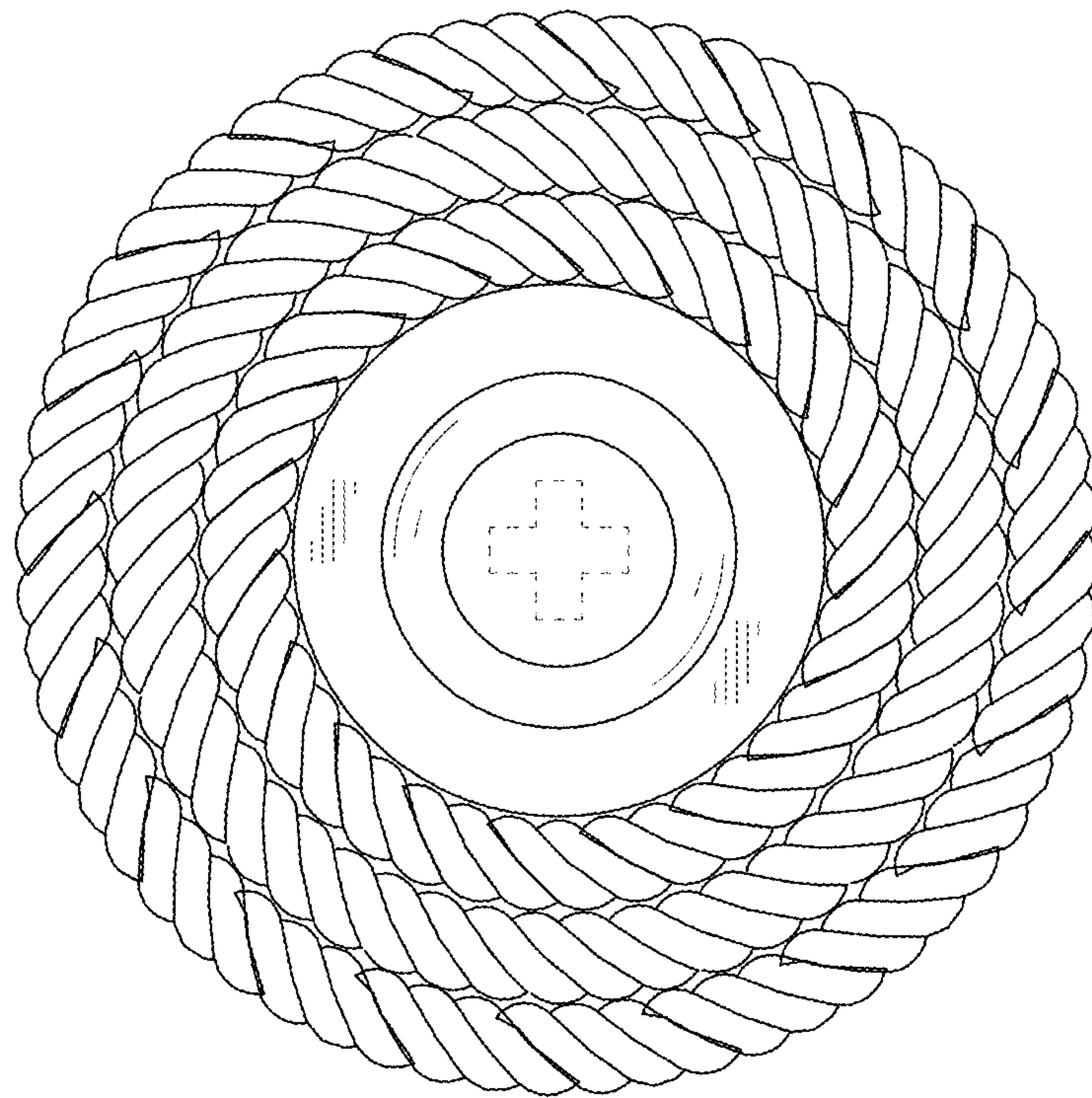


FIG. 6

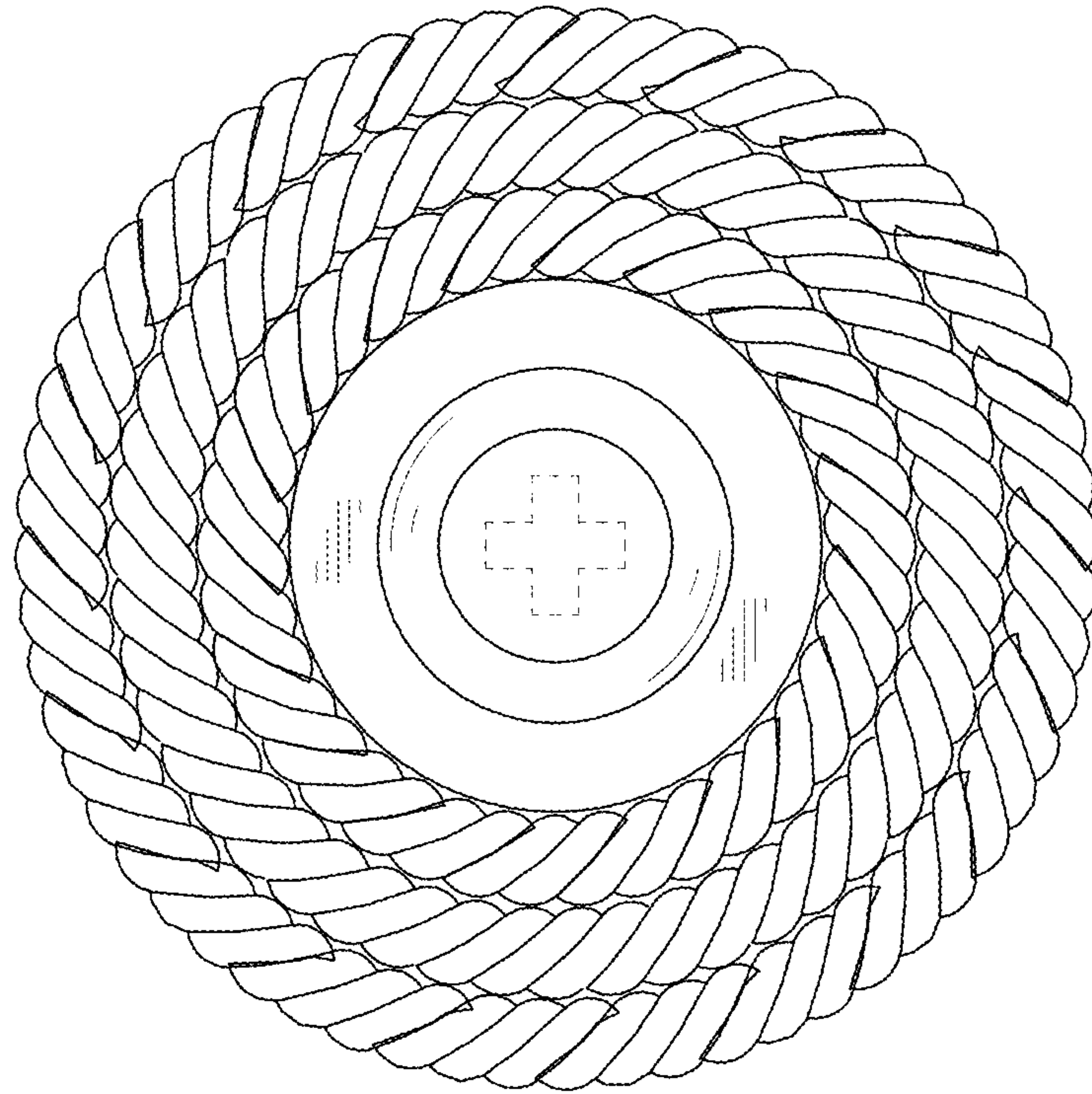


FIG. 7



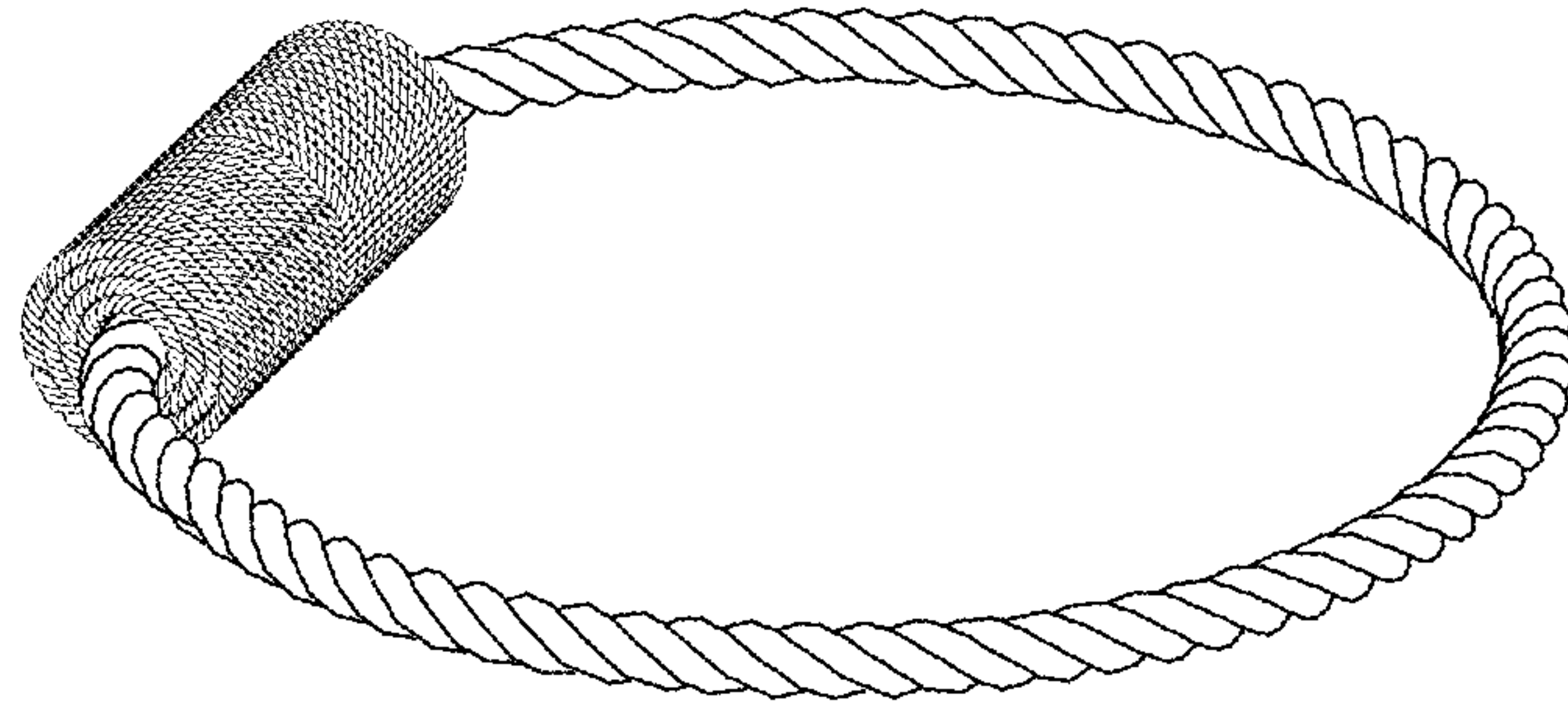


FIG. 8

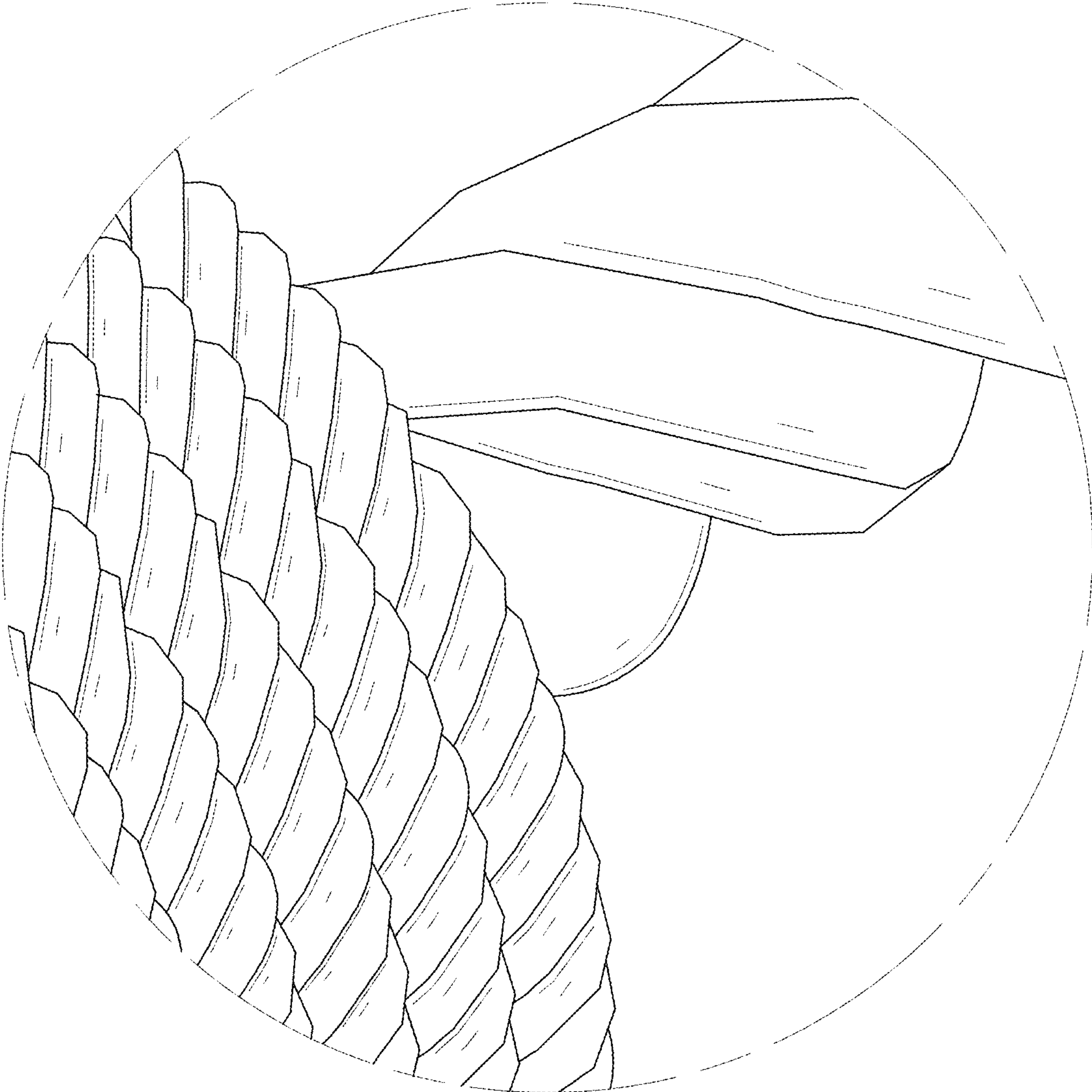


FIG. 9