



US00D959962S

(12) **United States Design Patent** (10) **Patent No.:** **US D959,962 S**
Acton (45) **Date of Patent:** **** Aug. 9, 2022**

(54) **HAND TOOL**

D700,830 S * 3/2014 Brockman D8/367
D801,159 S * 10/2017 Turbenson D8/367
D931,716 S * 9/2021 Kacines D8/370

(71) Applicant: **Joseph Walter Acton**, Cannon Beach,
OR (US)

(Continued)

(72) Inventor: **Joseph Walter Acton**, Cannon Beach,
OR (US)

FOREIGN PATENT DOCUMENTS

GB 4019371 * 4/2011
JP D1325939 * 3/2008

(**) Term: **15 Years**

OTHER PUBLICATIONS

(21) Appl. No.: **29/652,416**

Heavy Duty Solid Stainless Steel S Hook S Shape, Google.com,
[online], [site visited Feb. 15, 2022], Available from internet URL:
<https://www.amazon.com/Stainless-Durable-Hanging-Bicycle-Hoses/dp/B06XWFJMM9> (Year: NA).*

(22) Filed: **Aug. 11, 2020**

(51) **LOC (13) Cl.** **08-11**

(52) **U.S. Cl.**

USPC **D08/367**; D08/1; D08/354; D08/370

(58) **Field of Classification Search**

USPC D8/29.1, 80, 54, 56, 57, 58, 24, 21, 25,
D8/394, 14, 105, 27, 2, 367; D10/49, 99;
D13/123; D15/13, 140; D23/213
CPC A47G 29/083; A47G 29/087; Y10T
24/44923; Y10T 24/44778; Y10T
24/44855

See application file for complete search history.

(Continued)

Primary Examiner — Susan Bennett Hattan
Assistant Examiner — Rozita Mozaffarian
(74) *Attorney, Agent, or Firm* — Dunlap Bennett &
Ludwig, PLLC

(57) **CLAIM**

The ornamental design for a hand tool, as shown and
described.

DESCRIPTION

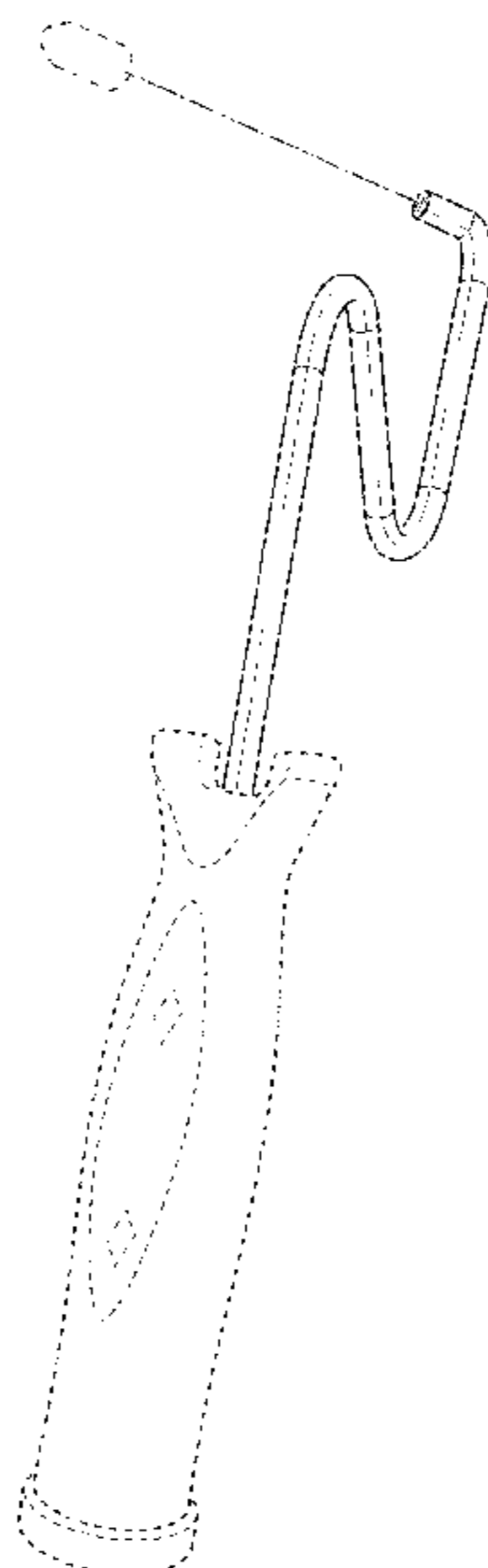
(56) **References Cited**

U.S. PATENT DOCUMENTS

D343,113 S * 1/1994 Brooks D8/367
D345,096 S * 3/1994 Shapiro D8/373
D357,402 S * 4/1995 Roethler D8/367
6,378,827 B1 * 4/2002 Kacines A47G 29/087
24/546
D498,411 S * 11/2004 Randall D8/370
D615,382 S * 5/2010 Hyp D8/107
D629,291 S * 12/2010 Veilleux D8/370
D655,380 S * 3/2012 Taylor D24/111
D661,574 S * 6/2012 Platt D8/367
D677,901 S * 3/2013 Boukair D4/122
D677,903 S * 3/2013 Boukair D4/122
D687,291 S * 8/2013 Hendricks D8/394
D699,556 S * 2/2014 Hendricks D8/394

FIG. 1 is a front perspective view of the hand tool, showing
my new design;
FIG. 2 is a right side elevation view thereof;
FIG. 3 is a left side elevation view thereof;
FIG. 4 is a rear side view thereof;
FIG. 5 is a front side view thereof;
FIG. 6 is a top plan view thereof;
FIG. 7 is a bottom plan view thereof; and,
FIG. 8 is another perspective view thereof, showing the hand
tool fully assembled.
The broken lines shown in the drawings depict an end cap
and a handle of the hand tool that forms no part of the
claimed design.

1 Claim, 6 Drawing Sheets



(56)

References Cited

U.S. PATENT DOCUMENTS

D943,365 S * 2/2022 Whitten D7/688
D943,403 S * 2/2022 Fildan D8/370
D945,253 S * 3/2022 Stubben D8/356

OTHER PUBLICATIONS

Pinkiou Electric Nail Drill Machine Nail File Drill Kit, Google.com, [online], [site visited Feb. 15, 2022], Available from internet URL: <https://www.walmart.com/ip/Pinkiou-Electric-Nail-Drill-Machine-Nail-File-Drill-Kit-Manicure-Pedicure-Set-Drilling-Pen-with-6pcs-Nail-Bitter/908875983> (Year: NA).*

Access Tools 127 Small Hook In-The-Door Tool #127C Google.com, [online], [site visited Feb. 15, 2022], Available from internet URL: https://jmcautomotiveequipment.com/access-tools-127-small-hook-in-the-door-tool-127c/?dfw_tracker=17151-173132&utm_term=&utm_campaign=G%E2%80%A6 (Year: NA).*

* cited by examiner

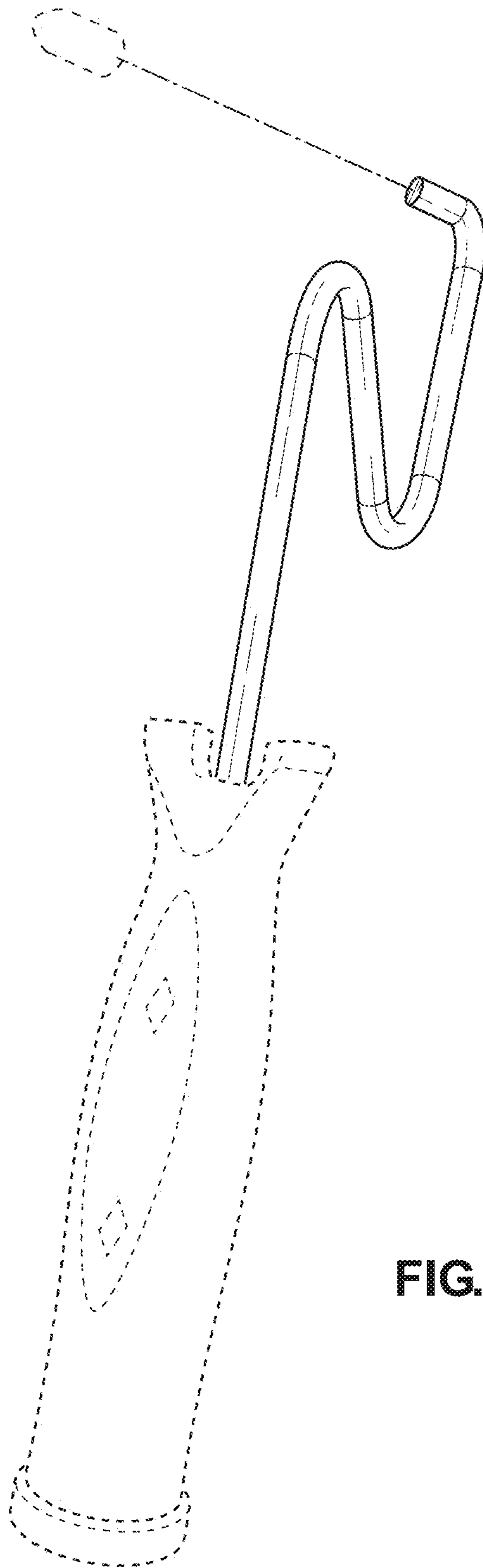


FIG. 1

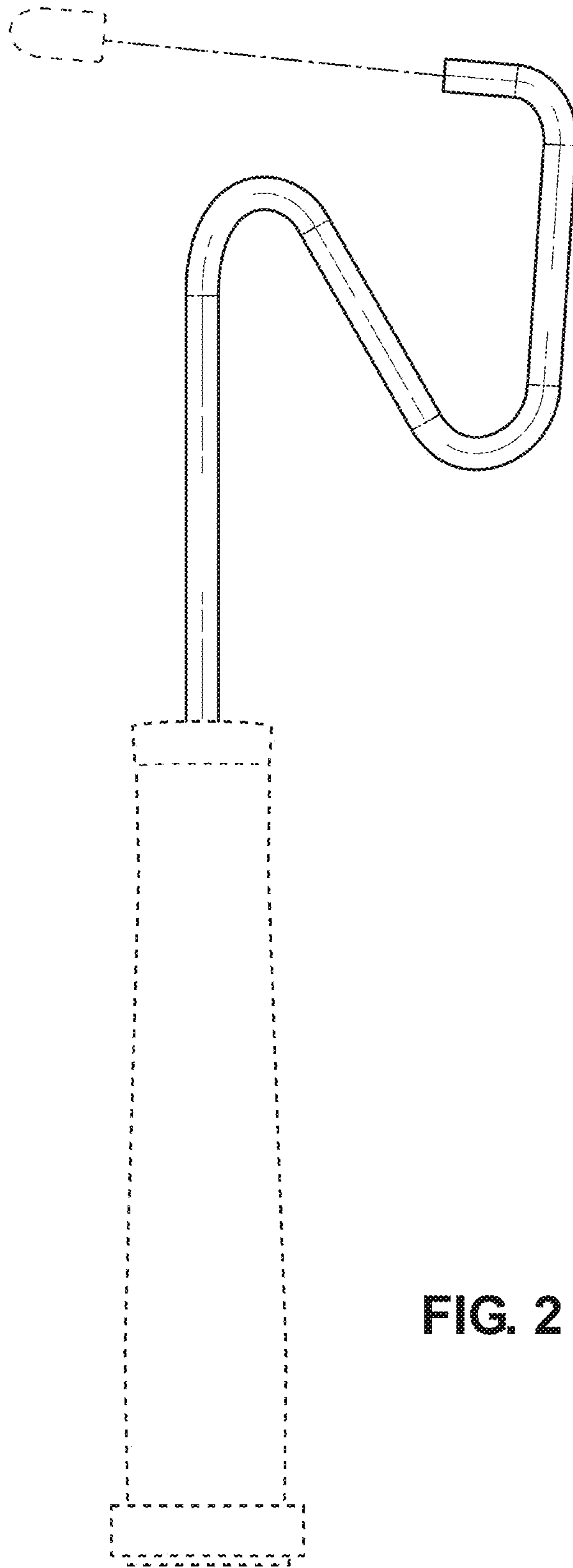


FIG. 2

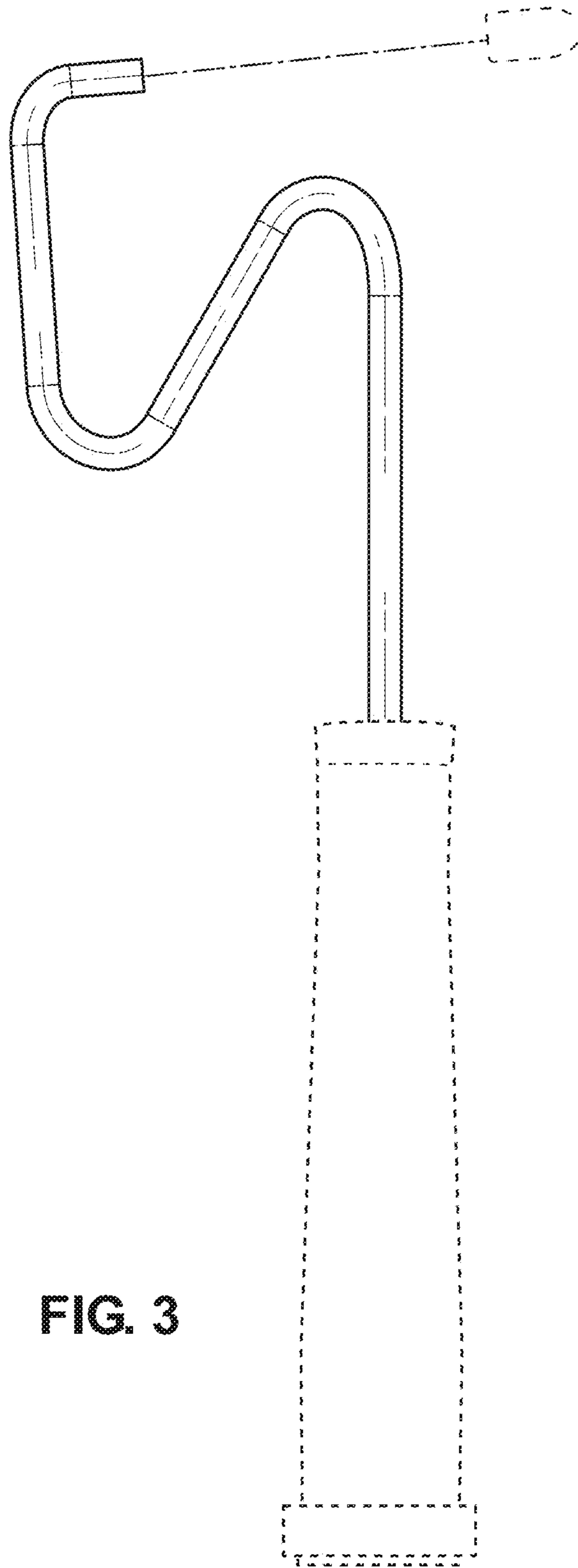


FIG. 3

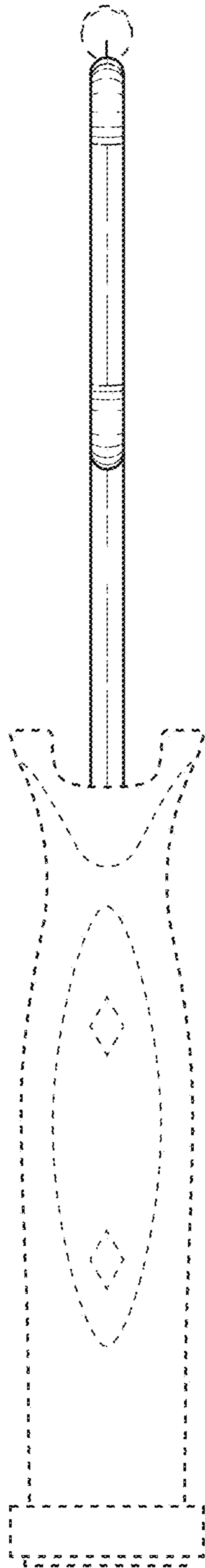


FIG. 4

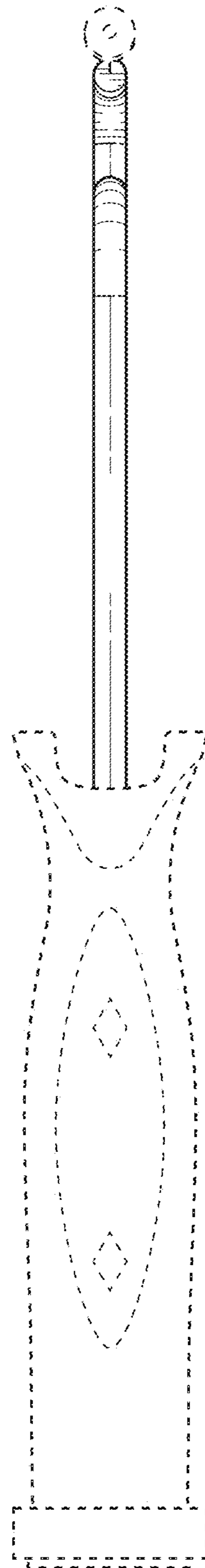


FIG. 5

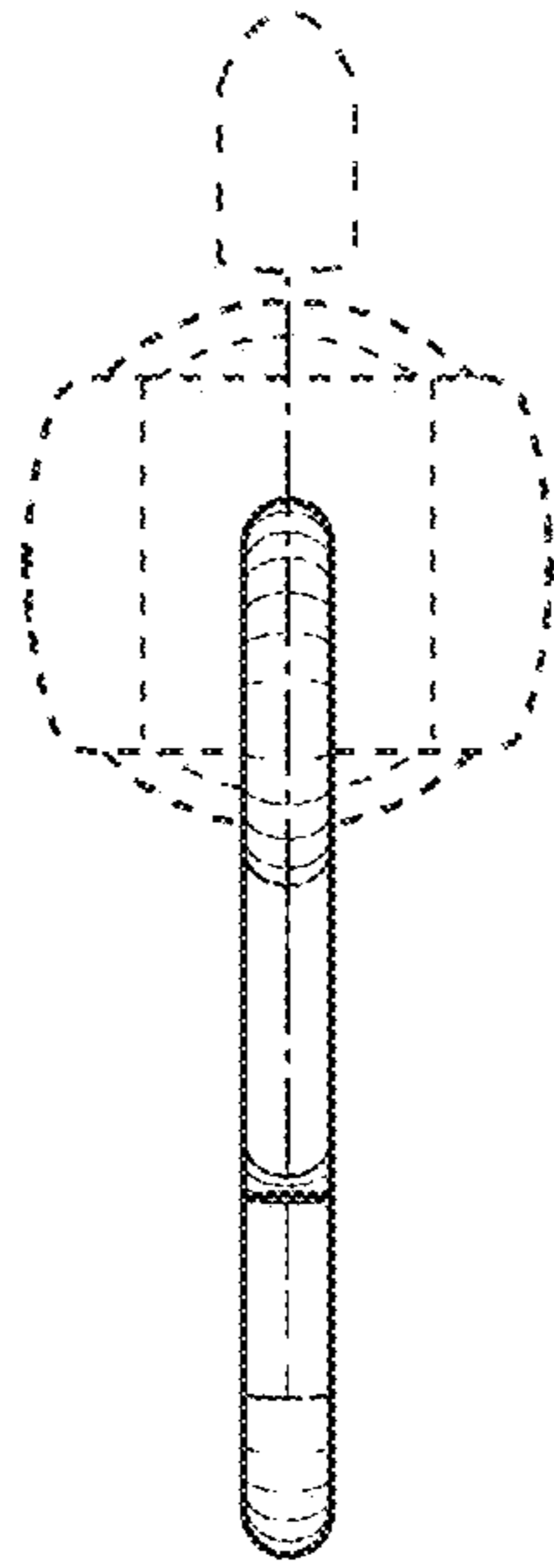


FIG. 6

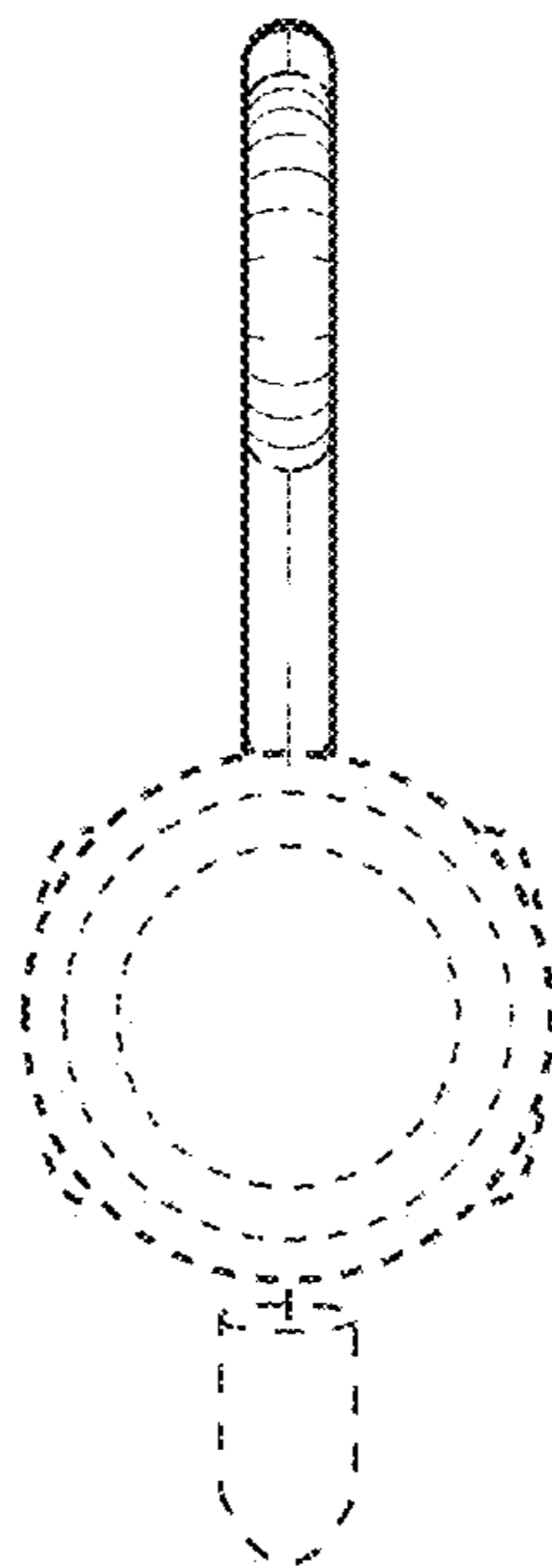


FIG. 7

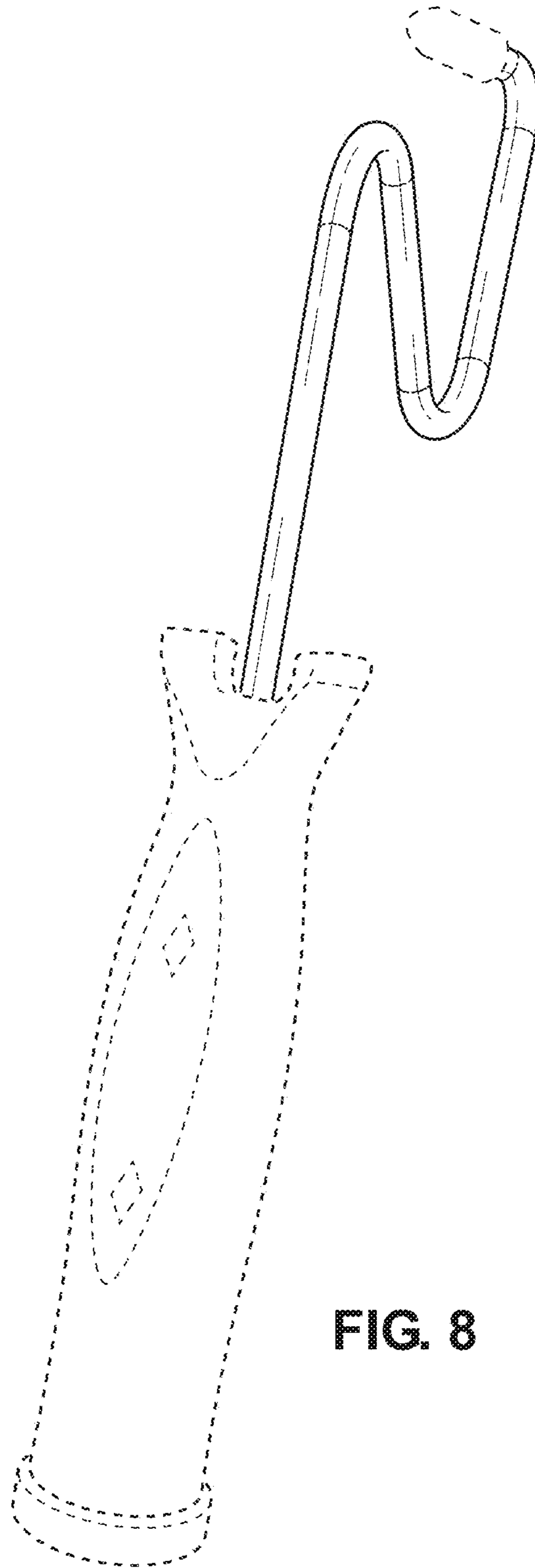


FIG. 8