



US00D959961S

(12) **United States Design Patent** (10) **Patent No.:** **US D959,961 S**
Yu (45) **Date of Patent:** **** Aug. 9, 2022**

(54) **WATERWHEEL**

(71) Applicant: **Jian Yu**, Linyi (CN)

(72) Inventor: **Jian Yu**, Linyi (CN)

(**) Term: **15 Years**

(21) Appl. No.: **29/738,943**

(22) Filed: **Jun. 22, 2020**

(51) **LOC (13) Cl.** **08-05**

(52) **U.S. Cl.**
USPC **D8/358**

(58) **Field of Classification Search**
USPC D8/374, 382, 354, 377, 358, 356, 359;
D10/72, 61, 62; D12/19, 501, 204;
D24/138; D3/318, 279, 271.12, 24;
D15/67; D14/484; D34/27, 14, 19, 24,
D34/25; D21/424, 425, 533, 534, 535,
D21/536; D25/48.4; D22/140, 137;
D13/107
CPC B65H 2701/33; B65H 75/4471; B65H
75/4478; B65H 75/40; B65H 75/38;
B65H 75/4402; B65H 2402/412; B65H
75/4494; B65H 54/585; B65H 75/265;
Y10T 137/6954; Y10T 137/6929; Y10T
403/32975; B08B 2203/0276; A62C
33/02

See application file for complete search history.

(56) **References Cited**

U.S. PATENT DOCUMENTS

D863,941 S * 10/2019 Ge D8/358
D871,197 S * 12/2019 Huneau D8/359
D885,872 S * 6/2020 Miyawaki D8/359
D907,989 S * 1/2021 Wang D8/358
D939,943 S * 1/2022 Uccellani D8/358
2004/0163710 A1 * 8/2004 Kovacik B65H 75/38
137/355.23
2005/0040274 A1 * 2/2005 Chen B65H 75/4434
242/385

2005/0178440 A1 * 8/2005 Huang B65H 75/4478
137/355.16
2018/0319621 A1 * 11/2018 Sevigny B65H 75/446
2020/0071120 A1 * 3/2020 De Shong B65H 75/4486
2021/0122605 A1 * 4/2021 Tost B65H 75/4478
2021/0329860 A1 * 10/2021 Tang G05B 19/0423

OTHER PUBLICATIONS

Yongkist Garden Retractable Hose Reel, Portable, Aug. 25, 2020, amazon.com, Jan. 6, 2022, URL: <https://www.amazon.ca/Yongkist-Retractable-Portable-6-Function-Watering/dp/B08CVY1MY7> (Year: 2020).*

GARDENA Retractable Hose Reel, May 27, 2013, amazon.com, Jan. 6, 2022, URL: <https://www.amazon.ca/GARDENA-Retractable-115-Feet-Convenient-Guide/dp/B00ASF698E/> (Year: 2013).*

Giraffe Tools Retractable Garden Hose Reel, Nov. 23, 2019, amazon.com, Jan. 6, 2022, URL: <https://www.amazon.com/Giraffe-Retractable-Mounted-180%C2%B0Swivel-Bracket/dp/B081W9LGL2/> (Year: 2019).*

* cited by examiner

Primary Examiner — Keith J Wilson

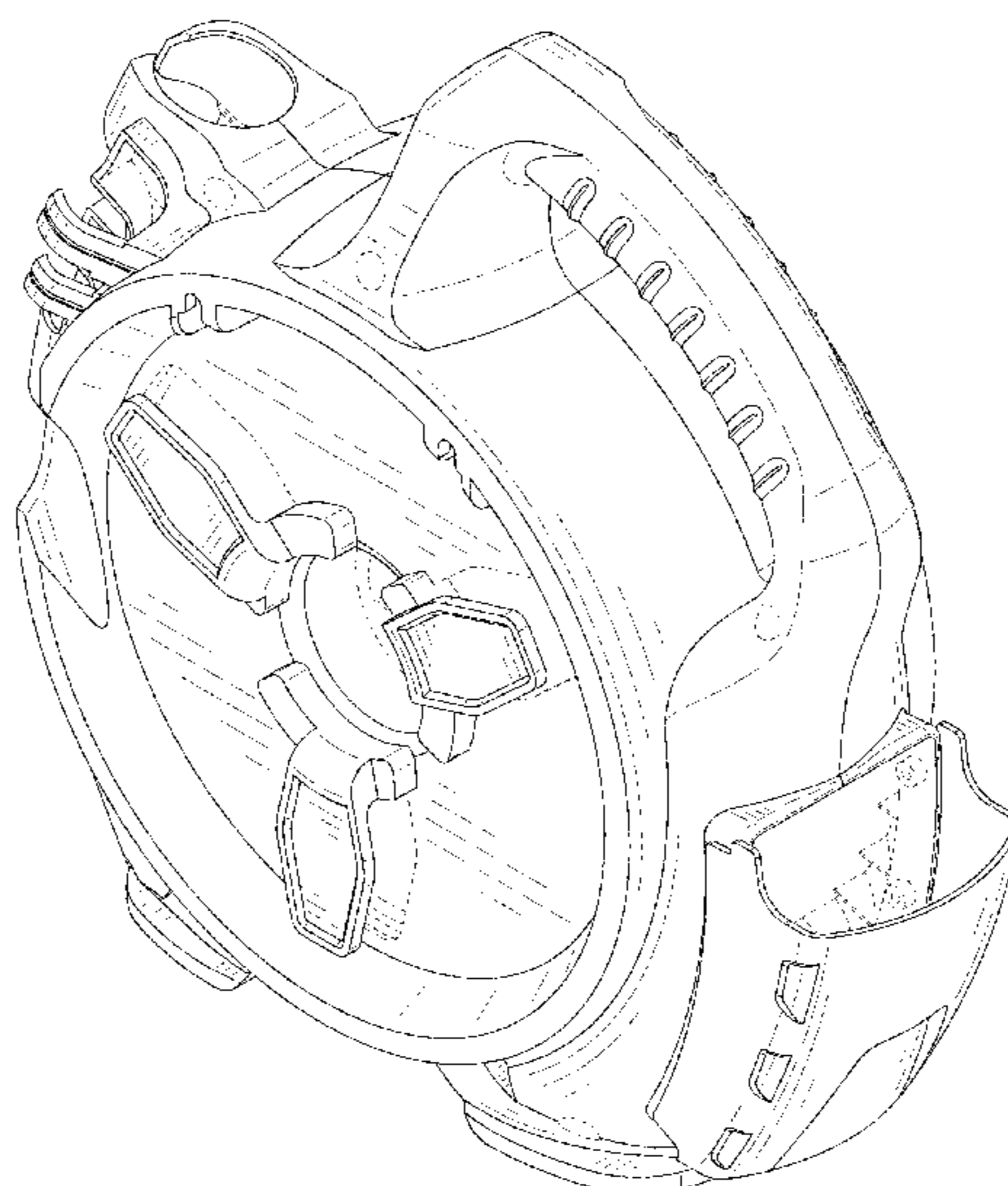
(57) **CLAIM**

The ornamental design for a waterwheel, as shown and described.

DESCRIPTION

FIG. 1 is a first perspective view of a waterwheel showing my new design;
FIG. 2 is a second perspective view thereof;
FIG. 3 is a front view thereof;
FIG. 4 is a back view thereof;
FIG. 5 is a left side view thereof;
FIG. 6 is a right side view thereof;
FIG. 7 is a top view thereof; and,
FIG. 8 is a bottom view thereof.
The broken lines shown in the drawings depict portions of the waterwheel in which the design is embodied that form no part of the claimed design.

1 Claim, 8 Drawing Sheets



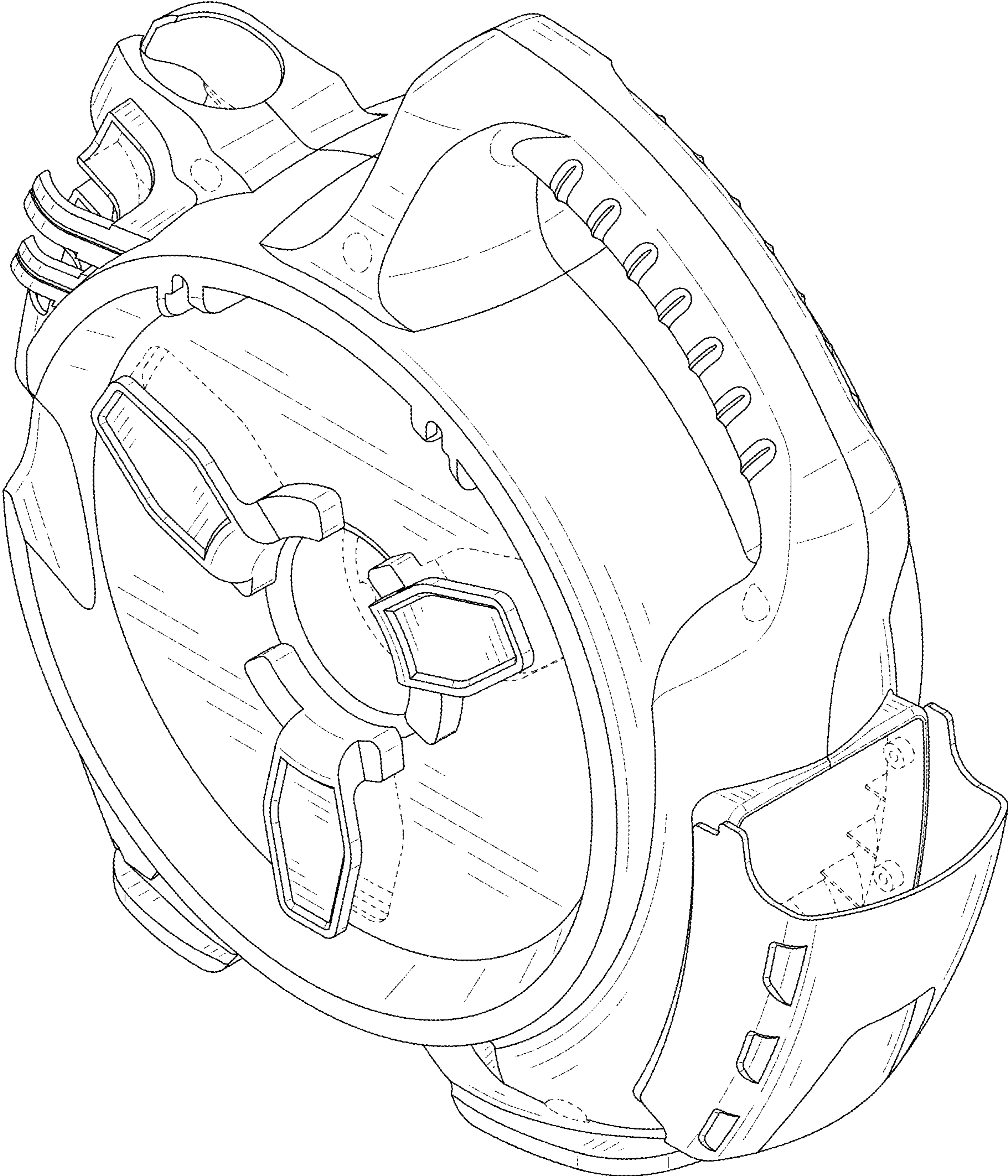


FIG. 1

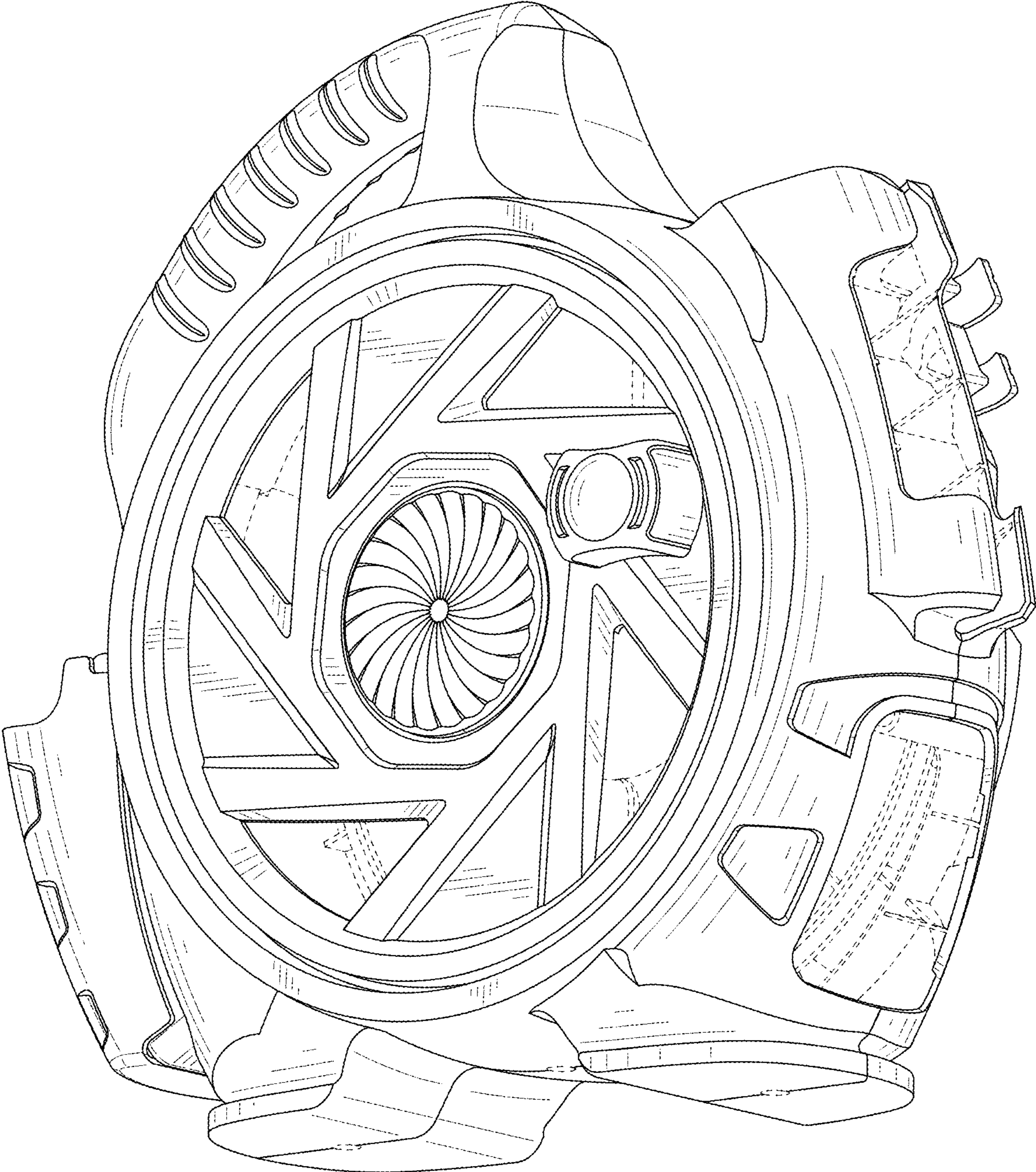


FIG. 2

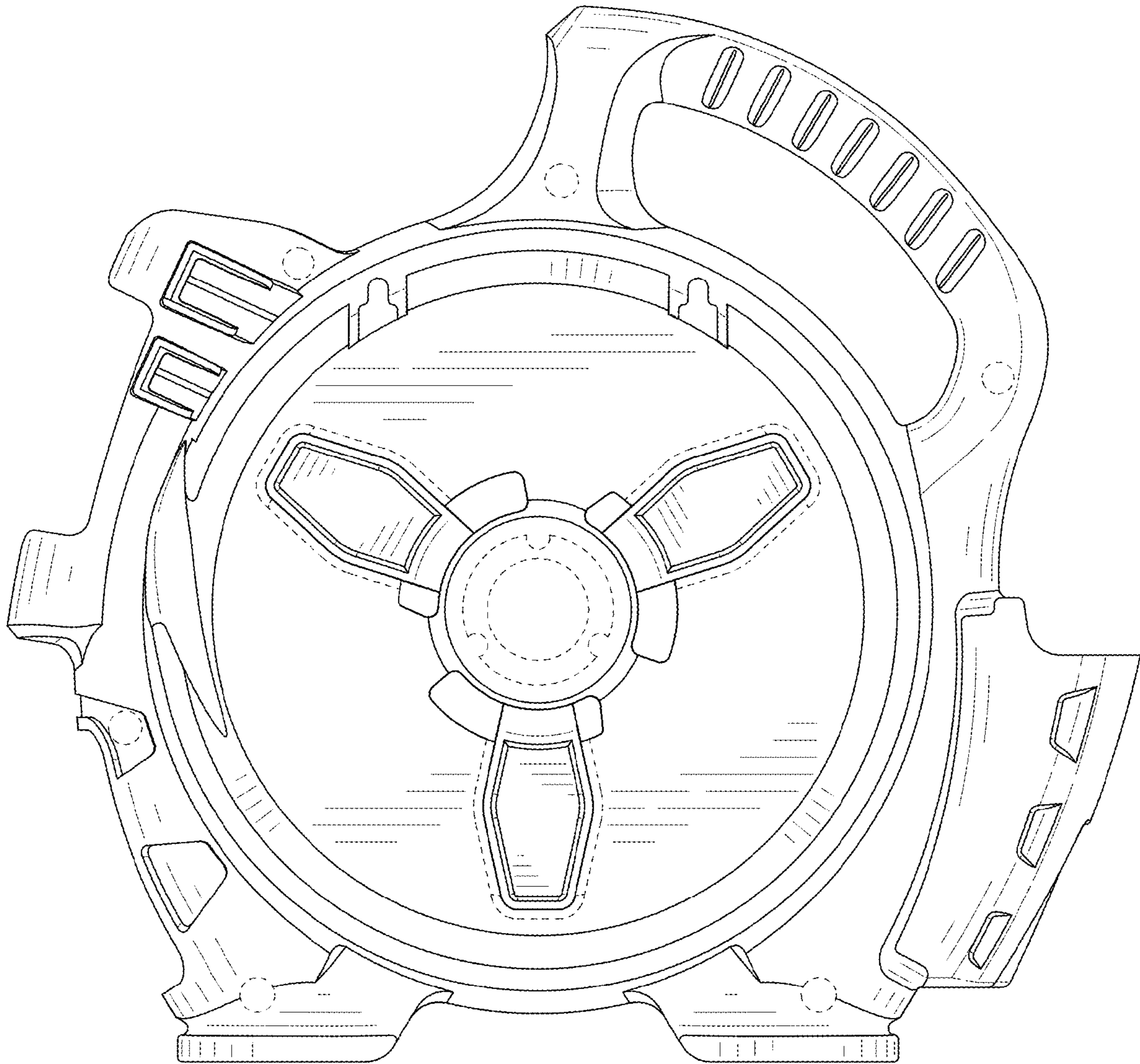


FIG. 3

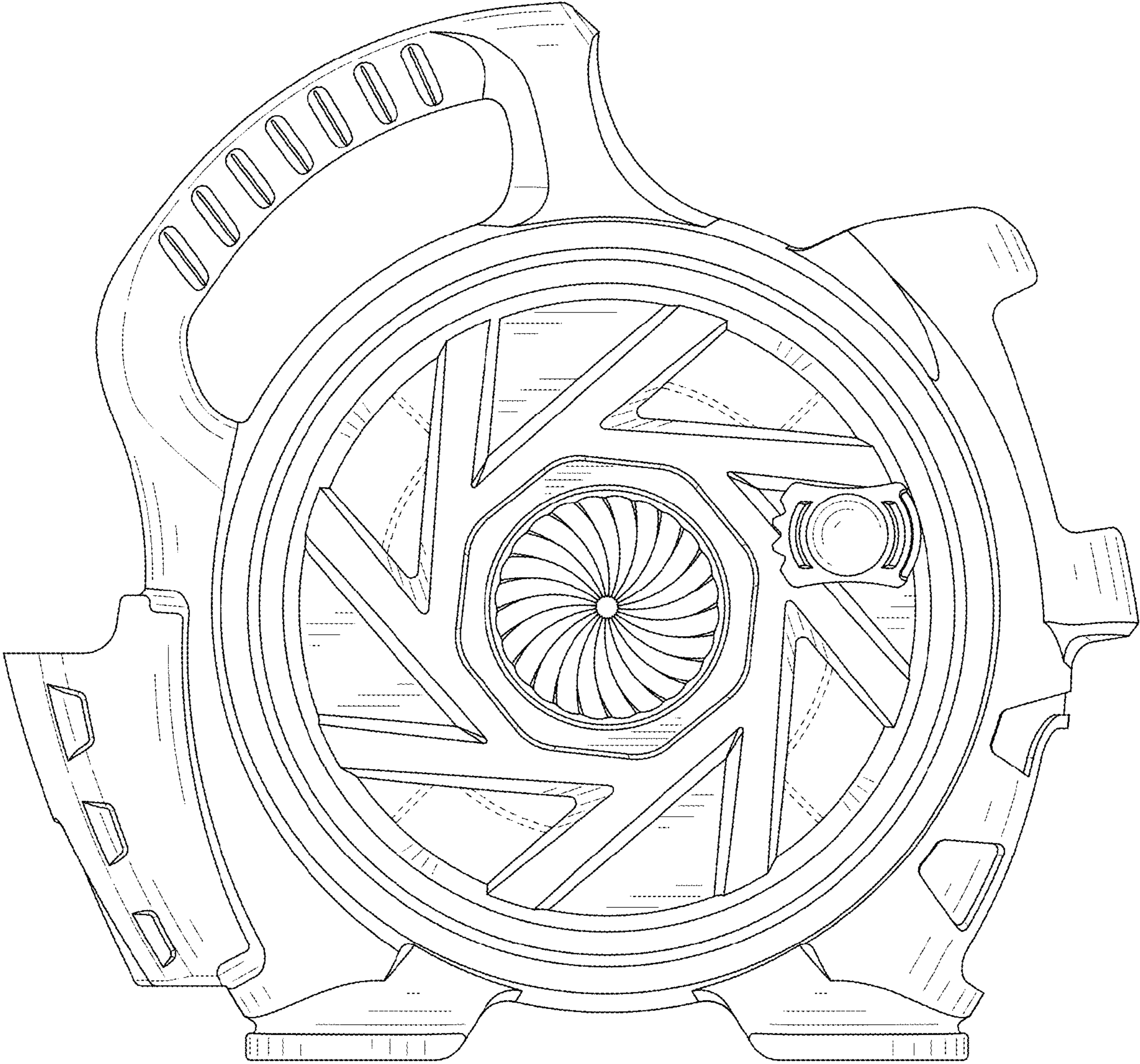


FIG. 4

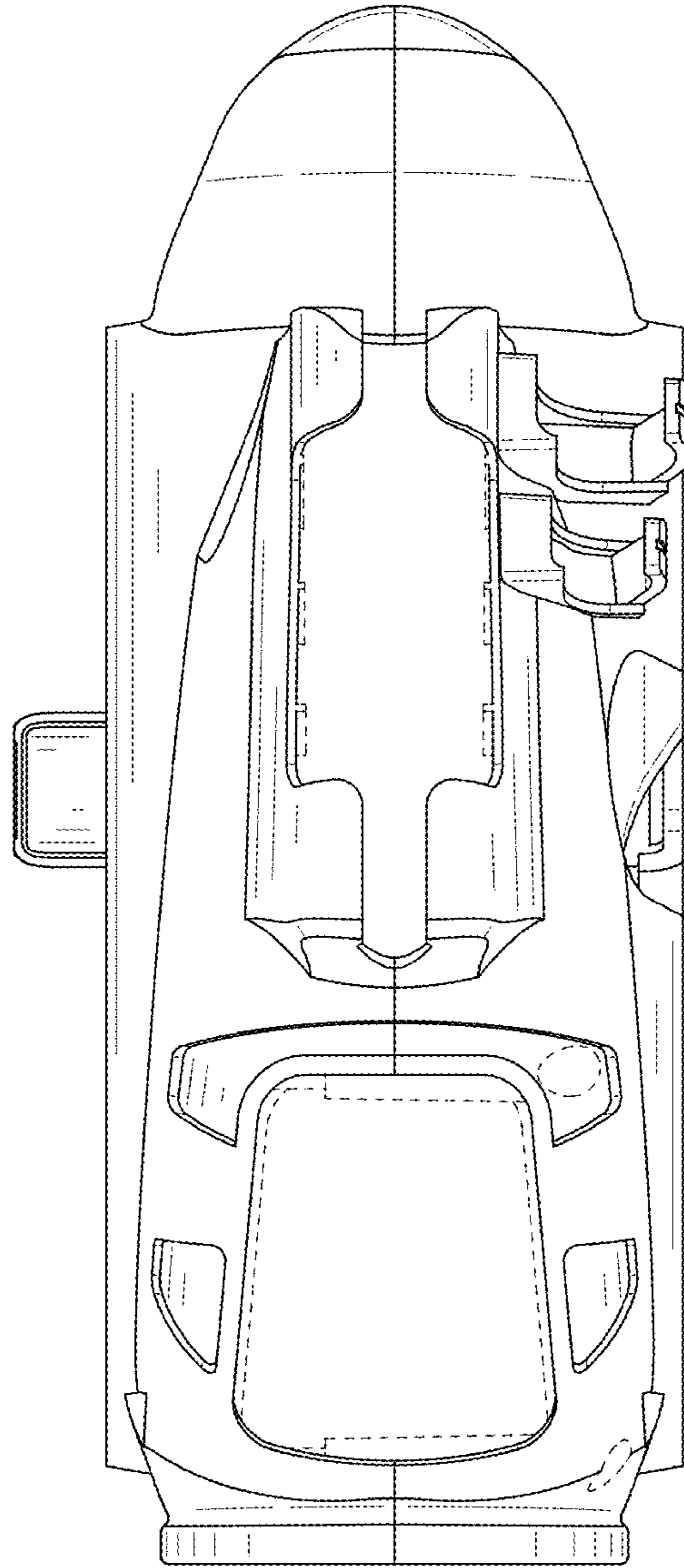


FIG. 5

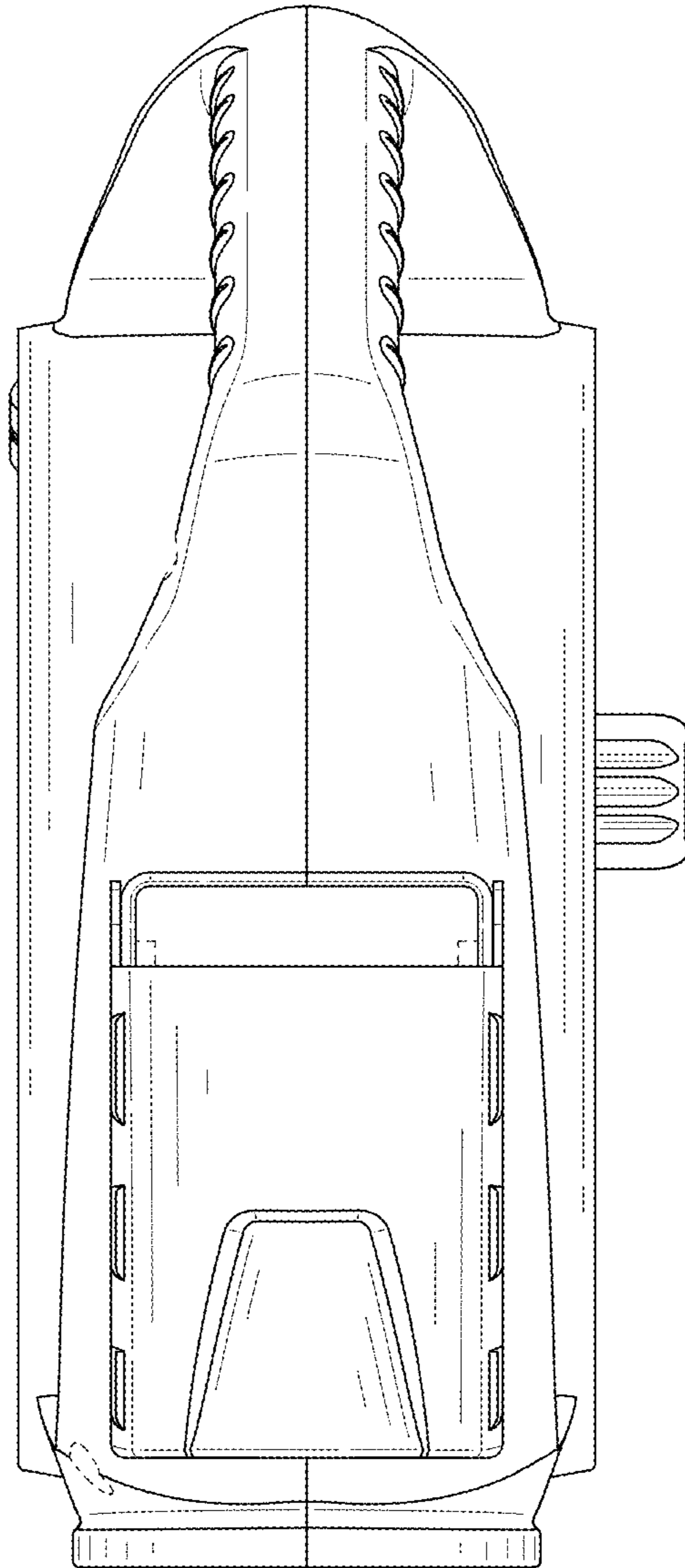


FIG. 6

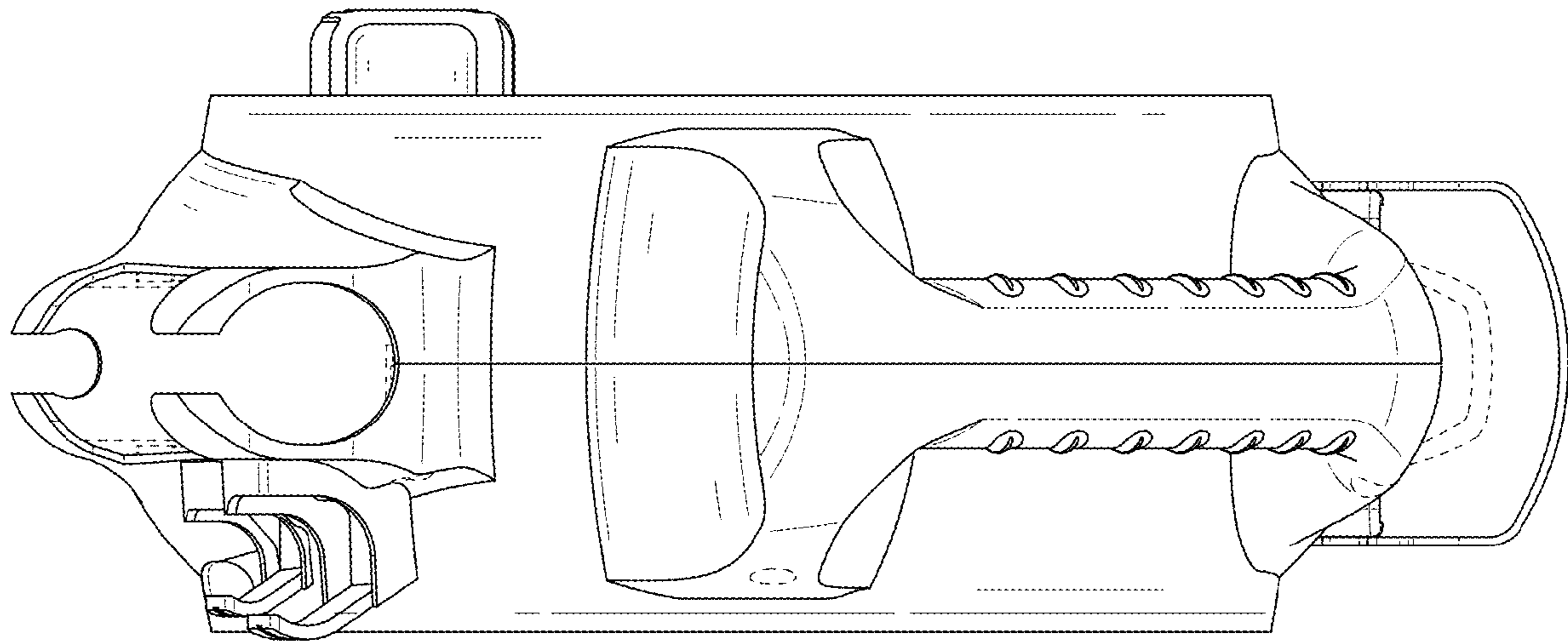


FIG. 7

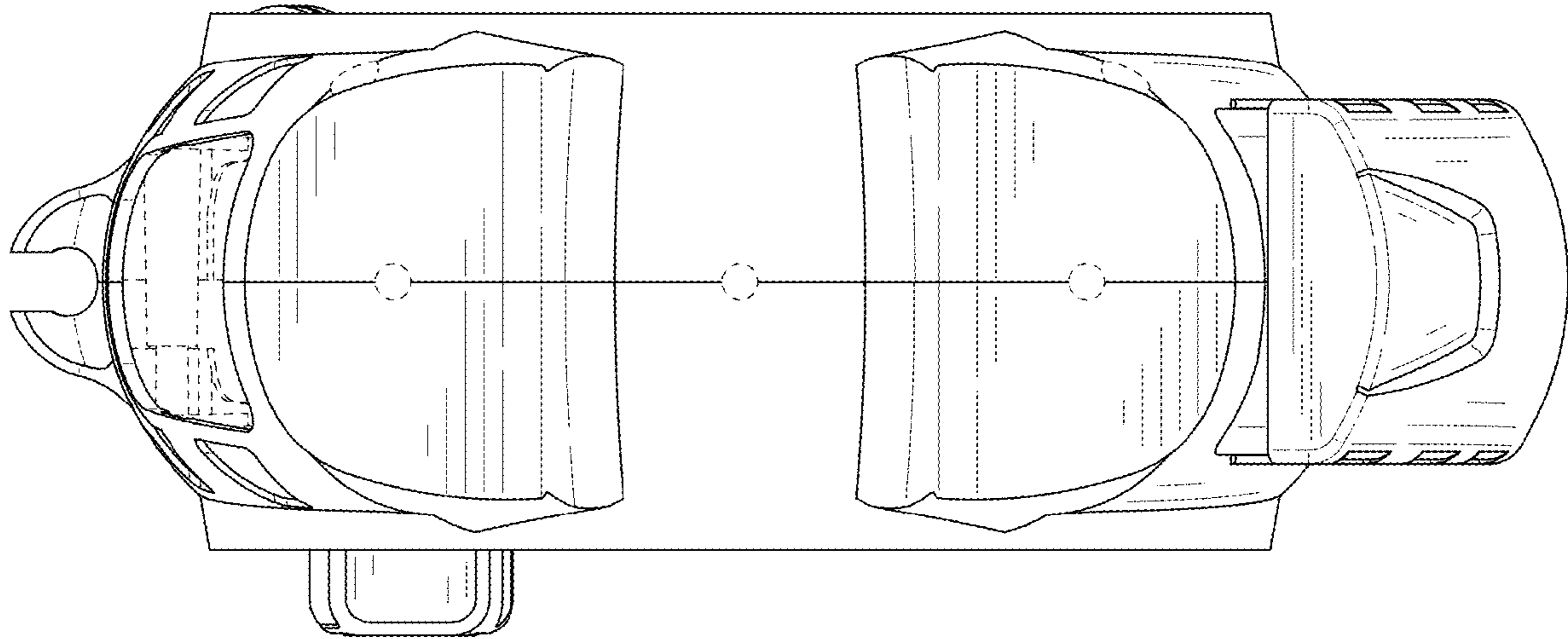


FIG. 8