



US00D959959S

(12) **United States Design Patent**  
**Houston et al.**

(10) **Patent No.:** **US D959,959 S**

(45) **Date of Patent:** **\*\* Aug. 9, 2022**

- (54) **MOUNTING BRACKET**
- (71) Applicant: **Rinnai America Corporation**,  
Peachtree City, GA (US)
- (72) Inventors: **Ansley Houston**, Peachtree City, GA  
(US); **Matthew Ryan Dettmering**,  
Newnan, GA (US); **Taylor Lamb**,  
Peachtree City, GA (US)
- (73) Assignee: **Rinnai America Corporation**,  
Peachtree City, GA (US)
- (\*\*) Term: **15 Years**
- (21) Appl. No.: **29/812,072**
- (22) Filed: **Oct. 19, 2021**

D416,188 S *	11/1999	Rosen	.....	D8/381
6,669,154 B1 *	12/2003	Remmers	.....	A47F 5/08 248/220.21
D526,887 S *	8/2006	Remmers	.....	D8/380
D543,094 S *	5/2007	Remmers	.....	D8/377
D545,182 S *	6/2007	Heitel	.....	D8/377
D587,562 S *	3/2009	Fernandez	.....	D8/381
D645,632 S *	9/2011	Henry	.....	D34/29
D649,027 S *	11/2011	Pensi	.....	D8/381
D663,961 S *	7/2012	Burns	.....	D6/328
D682,661 S *	5/2013	Fitzpatrick	.....	B65F 1/1415 D8/373
D705,043 S *	5/2014	Michaud	.....	D8/366
D730,719 S *	6/2015	Sundberg	.....	D8/371
D732,863 S *	6/2015	Troyner	.....	D6/705.5
D767,381 S *	9/2016	Libreiro	.....	D8/382
D834,928 S *	12/2018	Lu	.....	D8/381

(Continued)

*Primary Examiner* — Keli L Hill  
*Assistant Examiner* — Harold E Blackwell, II  
 (74) *Attorney, Agent, or Firm* — Meunier Carlin & Curfman LLC

**Related U.S. Application Data**

- (63) Continuation of application No. 16/779,296, filed on  
Jan. 31, 2020.
- (51) **LOC (13) Cl.** ..... **08-05**
- (52) **U.S. Cl.**  
USPC ..... **D8/354**
- (58) **Field of Classification Search**  
USPC ..... D8/394, 381, 380, 373, 371, 366, 354,  
D8/349; D25/132, 131, 126, 123;  
D6/574, 511, 479, 478, 474, 466, 463,  
D6/436, 399  
CPC ..... A47B 57/40; A47B 57/408; A47B 96/067;  
A47F 5/08  
See application file for complete search history.

(57) **CLAIM**

We claim the ornamental design for a mounting bracket, as shown and described.

**DESCRIPTION**

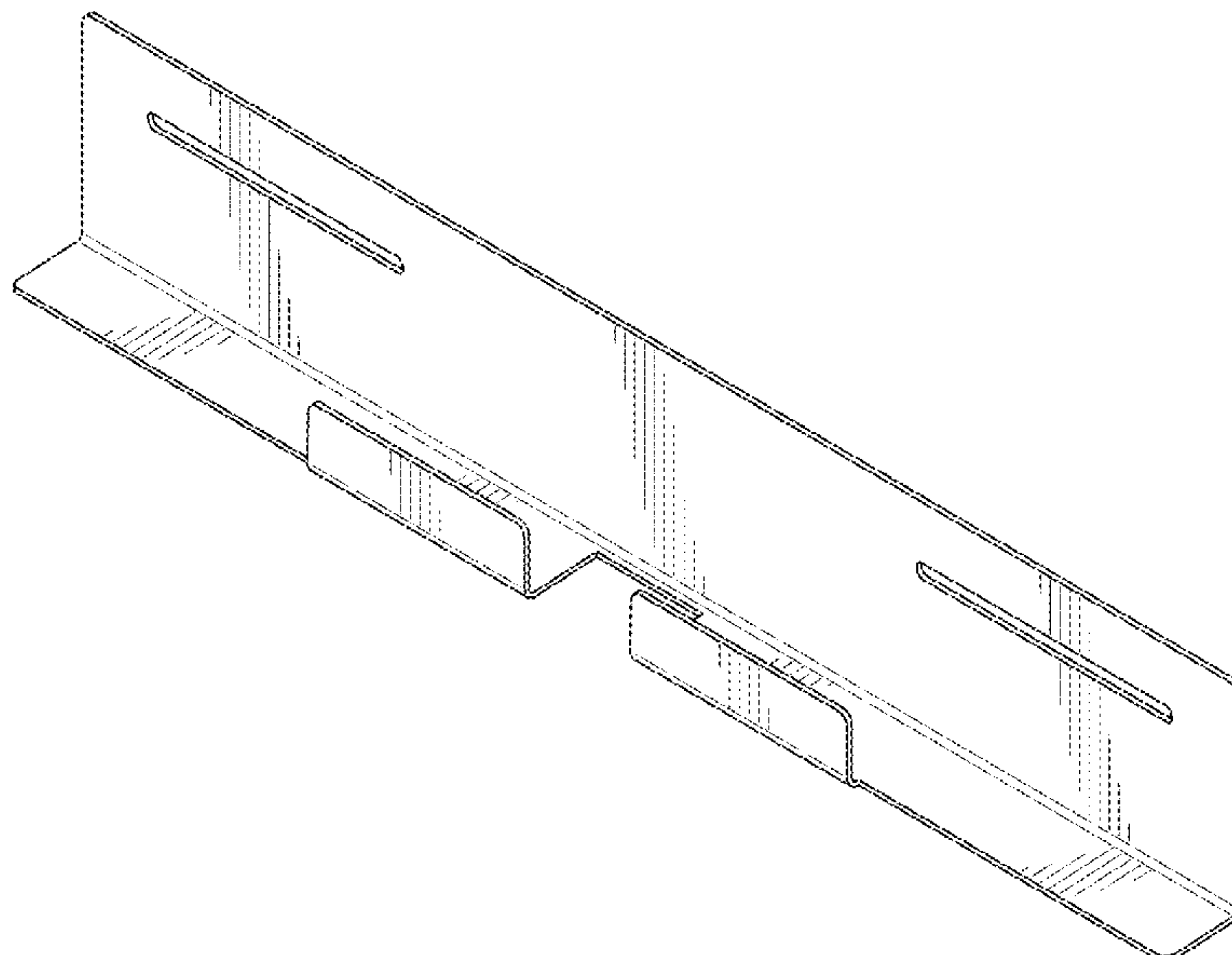
FIG. 1 is a perspective view of the mounting bracket, according to the present design;  
 FIG. 2 is a front view of the mounting bracket, according to the present design;  
 FIG. 3 is a left side view of the mounting bracket, according to the present design;  
 FIG. 4 is a right side view of the mounting bracket, according to the present design;  
 FIG. 5 is a top view of the mounting bracket, according to the present design; and,  
 FIG. 6 is a bottom view of the mounting bracket, according to the present design.

**1 Claim, 3 Drawing Sheets**

(56) **References Cited**

**U.S. PATENT DOCUMENTS**

1,908,200 A *	5/1933	Webster	.....	A47G 1/20 248/495
D300,972 S *	5/1989	Streno	.....	D8/380



(56)

**References Cited**

U.S. PATENT DOCUMENTS

D849,519 S \* 5/2019 Dettmering ..... D8/373  
D863,040 S \* 10/2019 DeDios-Shirley ..... D8/354

\* cited by examiner

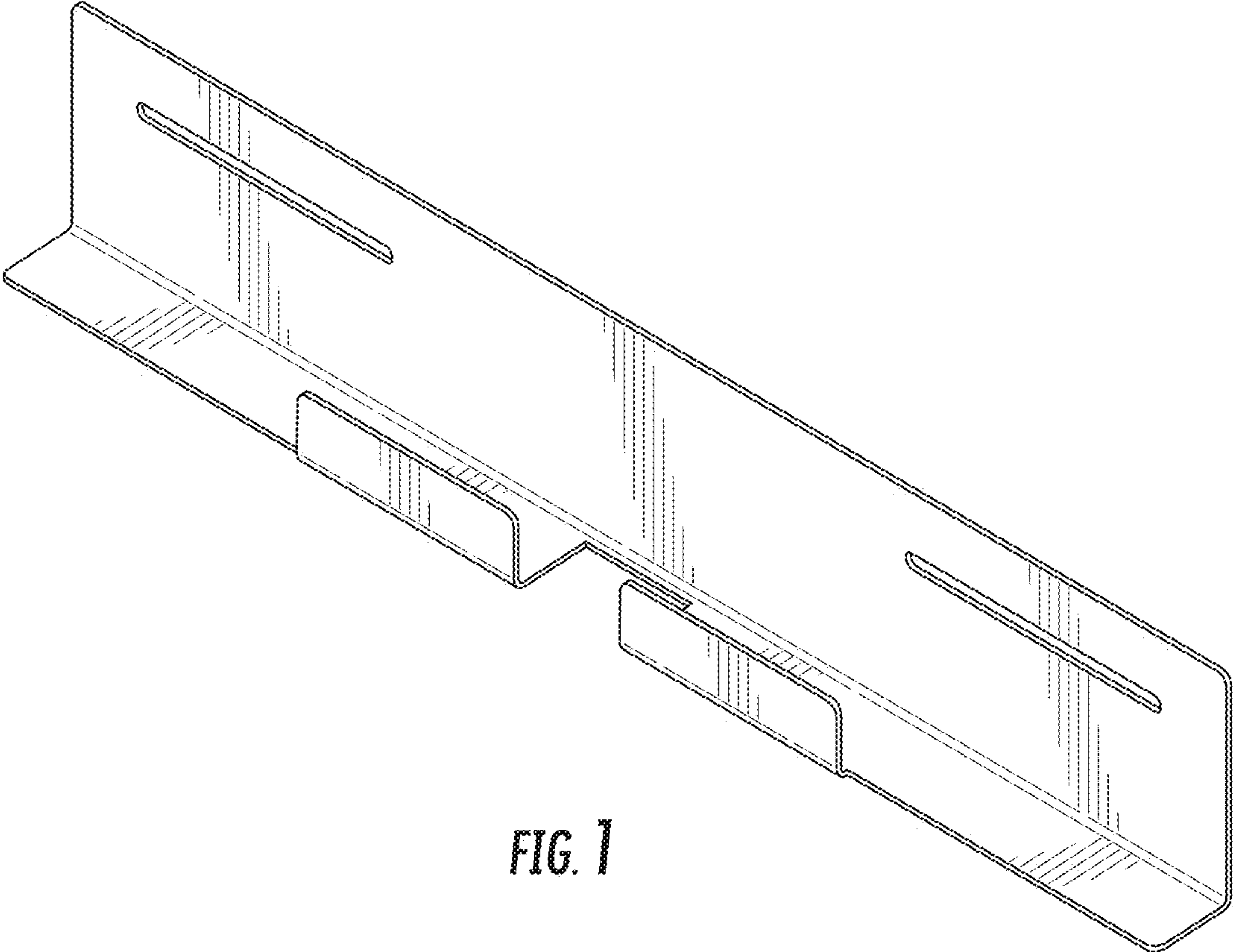


FIG. 1

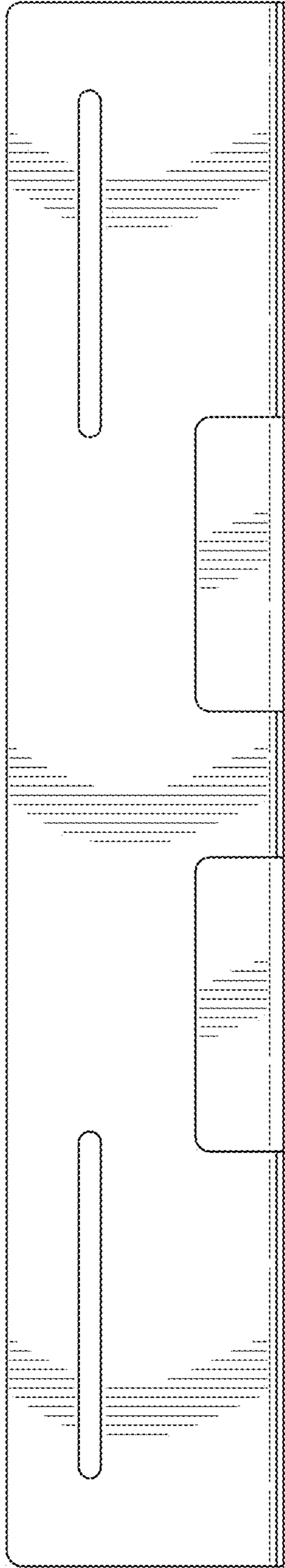


FIG. 2



FIG. 3

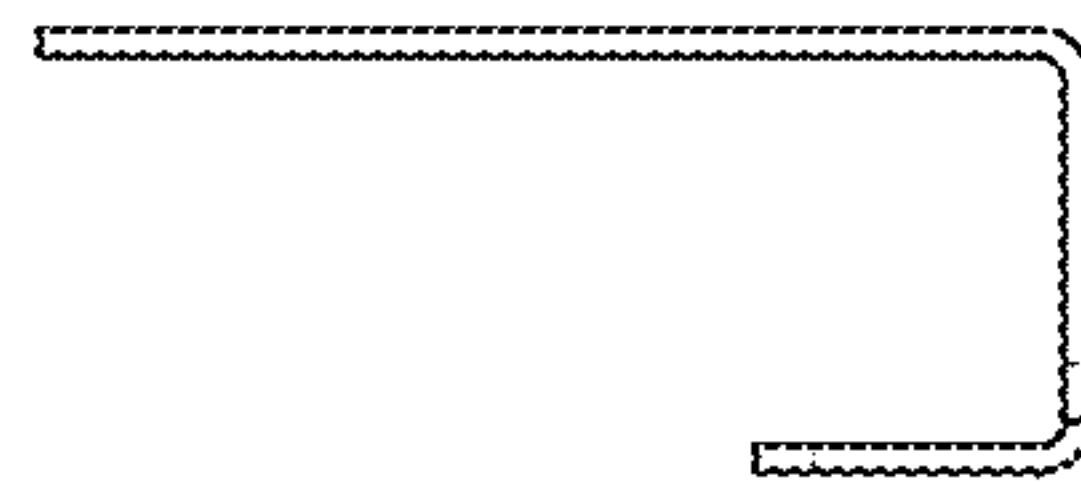


FIG. 4

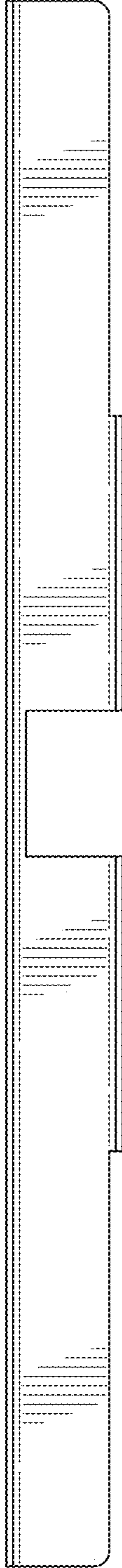


FIG. 5

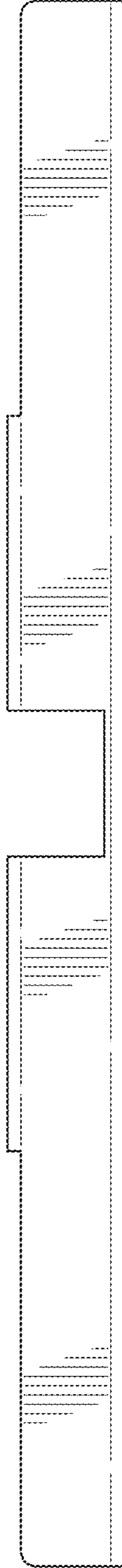


FIG. 6