



US00D959957S

(12) **United States Design Patent**
Kim

(10) **Patent No.:** **US D959,957 S**

(45) **Date of Patent:** **** Aug. 9, 2022**

(54) **CROSS BAR MOUNT**

(71) Applicant: **LKimmy Inc.**, Ontario, CA (US)

(72) Inventor: **Hyunjune Kim**, Las Vegas, NV (US)

(73) Assignee: **LKimmy Inc.**, Ontario, CA (US)

(**) Term: **15 Years**

(21) Appl. No.: **29/767,466**

(22) Filed: **Jan. 22, 2021**

(51) **LOC (13) Cl.** **08-08**

(52) **U.S. Cl.**
USPC **D8/349**

(58) **Field of Classification Search**
USPC D15/17, 28, 27; D12/203, 162, 223;
D8/349, 354, 363, 366, 371, 373, 380,
D8/381, 382, 384; D25/137, 133
CPC E04H 17/14; E04H 17/24; E04H 17/00;
E04H 17/10; E04H 17/02; E04C 3/02;
E04C 3/42; E04C 2003/026; E04B
2001/2696; E04B 2001/2644; E04B
2001/405; E04B 1/2612; E04B 1/26;
E04B 1/2608; E04B 1/003; E04B 1/2604;
A01D 75/30; A01D 67/005; A01D
34/661; A01D 34/80; A01B 69/003;
B60D 1/60; B60D 1/065; B60D 1/00;
B60D 1/06; B60D 1/36
See application file for complete search history.

(56) **References Cited**

U.S. PATENT DOCUMENTS

D401,211 S * 11/1998 Simpson D8/349
D595,116 S * 6/2009 Sipe D8/354
D632,159 S * 2/2011 Charette D8/354

D684,034 S * 6/2013 Vaughan D8/349
D695,592 S * 12/2013 White D8/354
D732,373 S * 6/2015 Wagner D8/349
D741,688 S * 10/2015 James D8/349
D752,417 S * 3/2016 Witting D8/354
D782,289 S * 3/2017 Darby D8/380
D784,794 S * 4/2017 Bently D8/356
D790,324 S * 6/2017 Ajello D8/354
D878,184 S * 3/2020 Holloway D8/394
D884,461 S * 5/2020 Allen D8/349
D943,393 S * 2/2022 McVey D8/354

* cited by examiner

Primary Examiner — Mark A Goodwin

(74) *Attorney, Agent, or Firm* — Heedong Chae; Lucem, PC

(57) **CLAIM**

The ornamental design for a cross bar mount, as shown and described.

DESCRIPTION

FIG. 1 is a top front perspective view of the cross bar mount showing my new design;
FIG. 2 is a bottom rear perspective view thereof;
FIG. 3 is a front elevational view thereof;
FIG. 4 is a rear elevational view thereof;
FIG. 5 is a left side view thereof;
FIG. 6 is a right side view thereof;
FIG. 7 is a top plan view thereof;
FIG. 8 is a bottom plan view thereof; and,
FIG. 9 is a top front perspective view showing a pair thereof in use supporting a backdrop stand.
The broken lines in FIG. 9 showing the backdrop stand are included for the purposes of illustrating an environment and form no part of the claimed design.

1 Claim, 6 Drawing Sheets

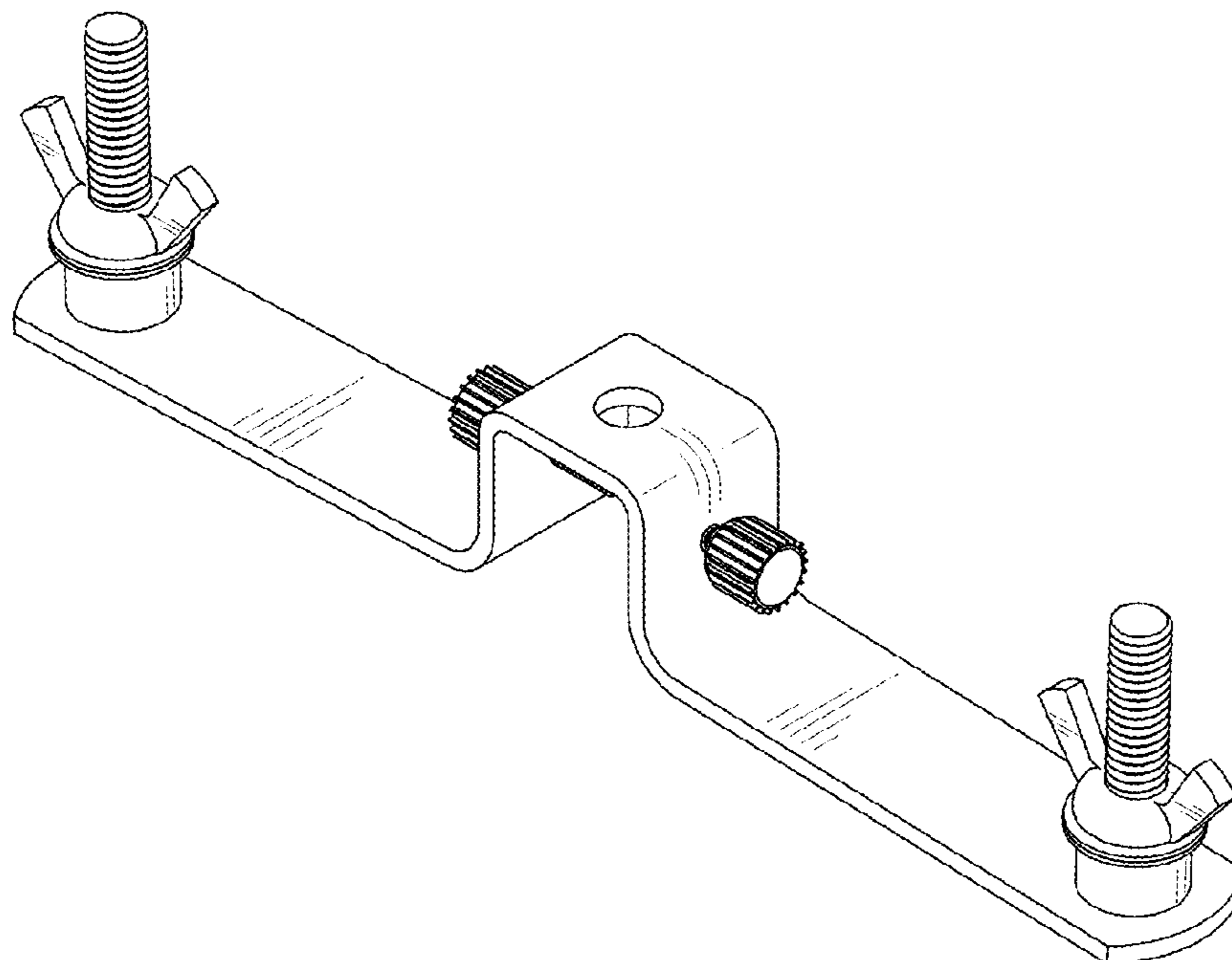


FIG. 1

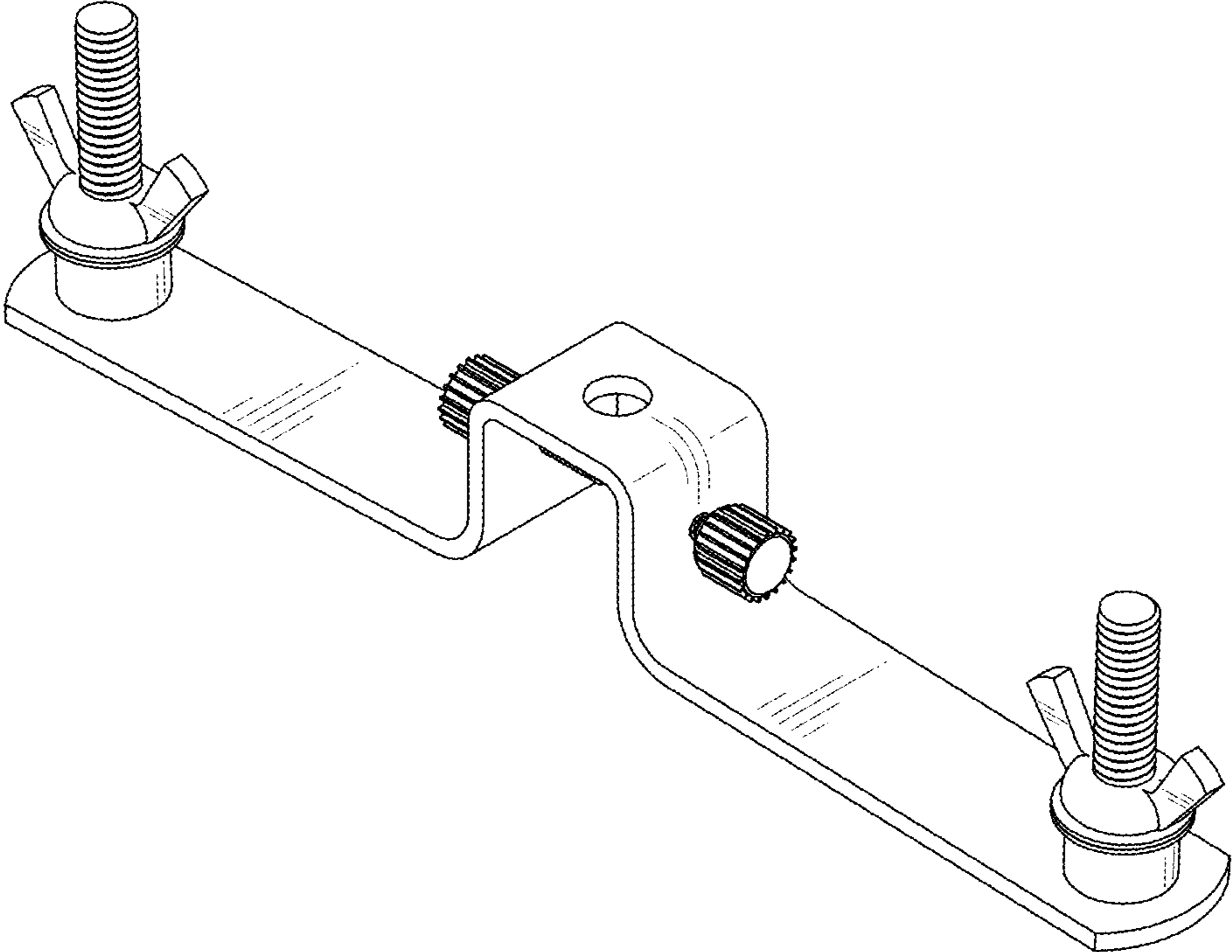


FIG. 2

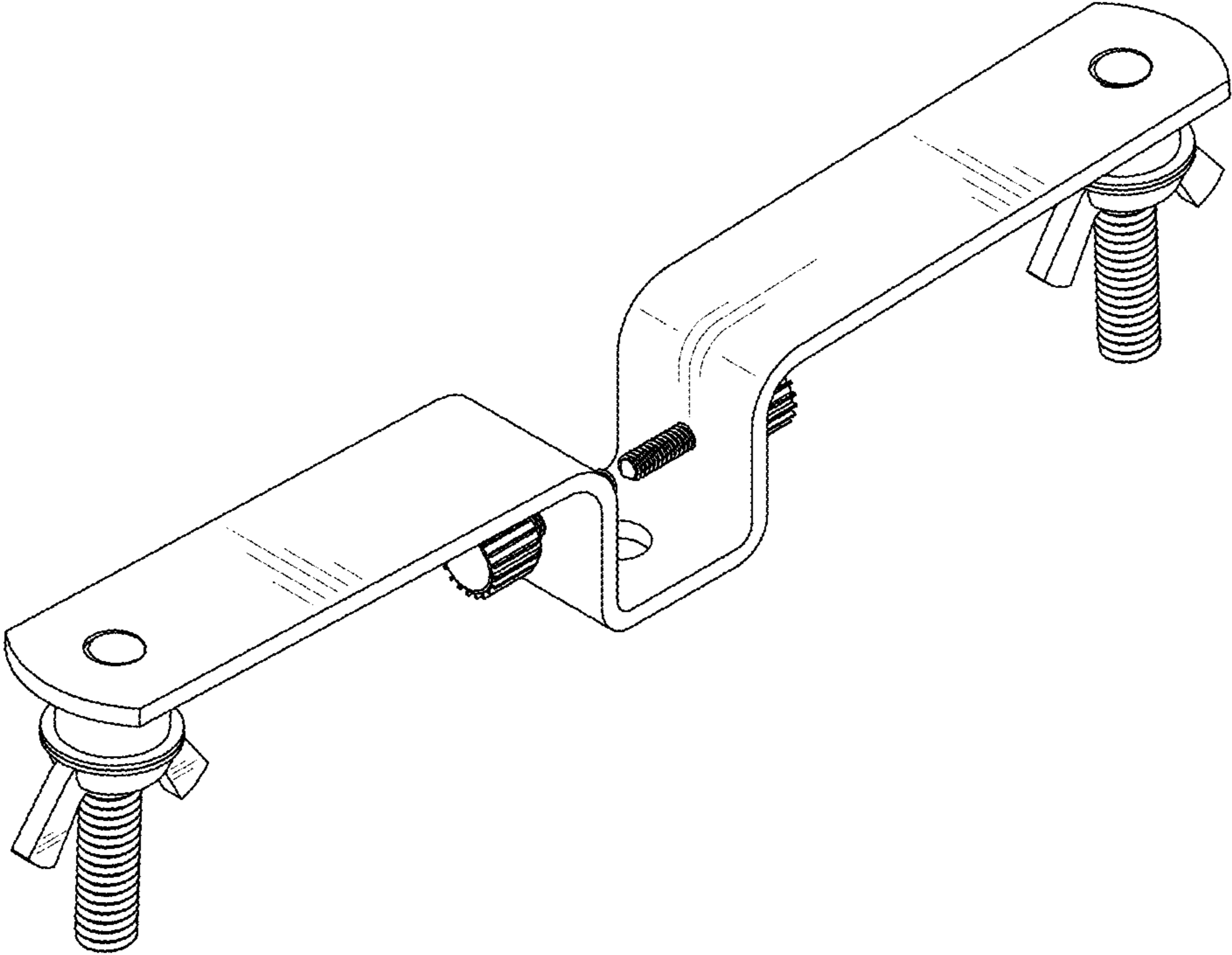


FIG. 3

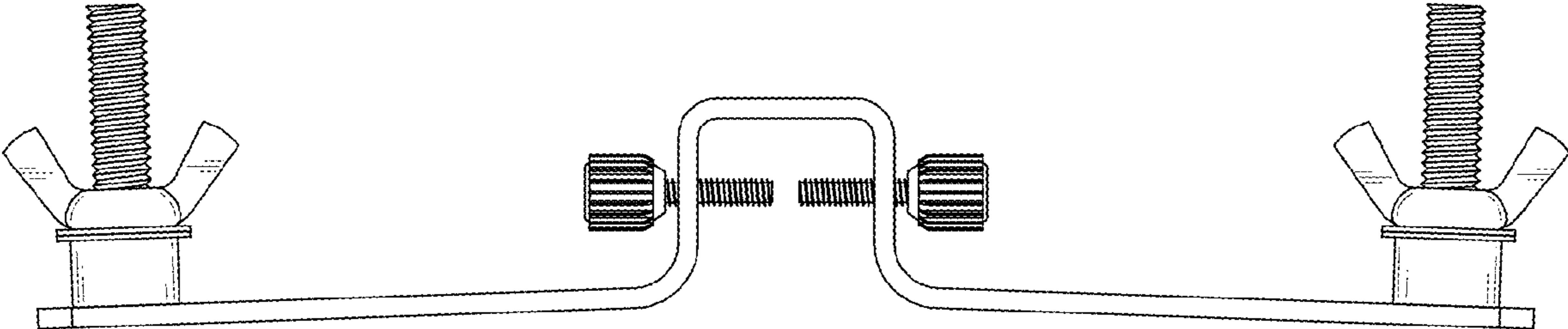


FIG. 4

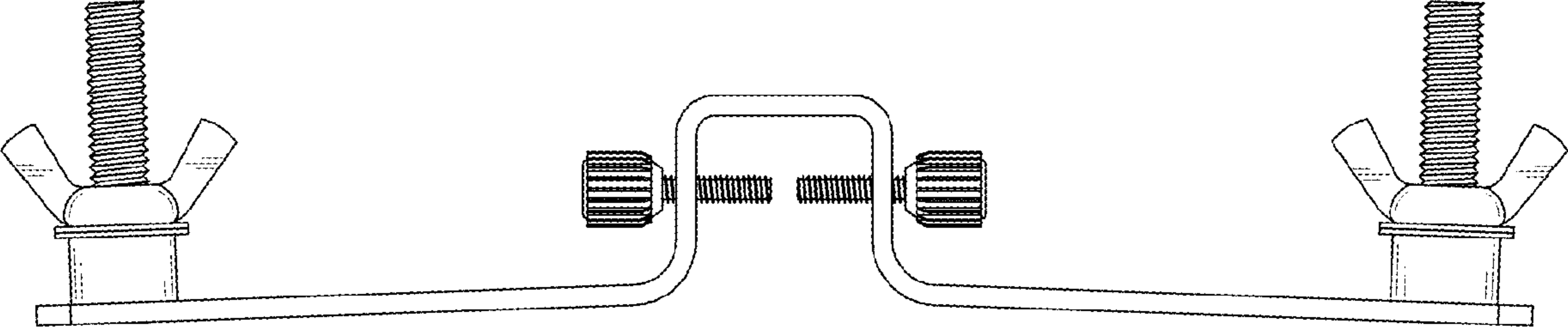


FIG. 5

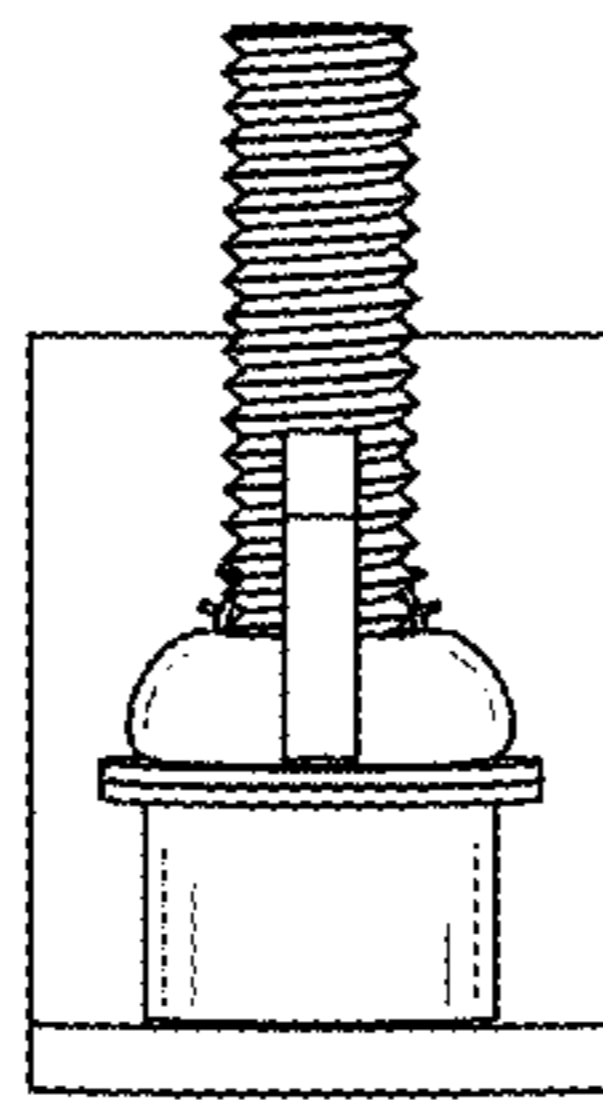


FIG. 6

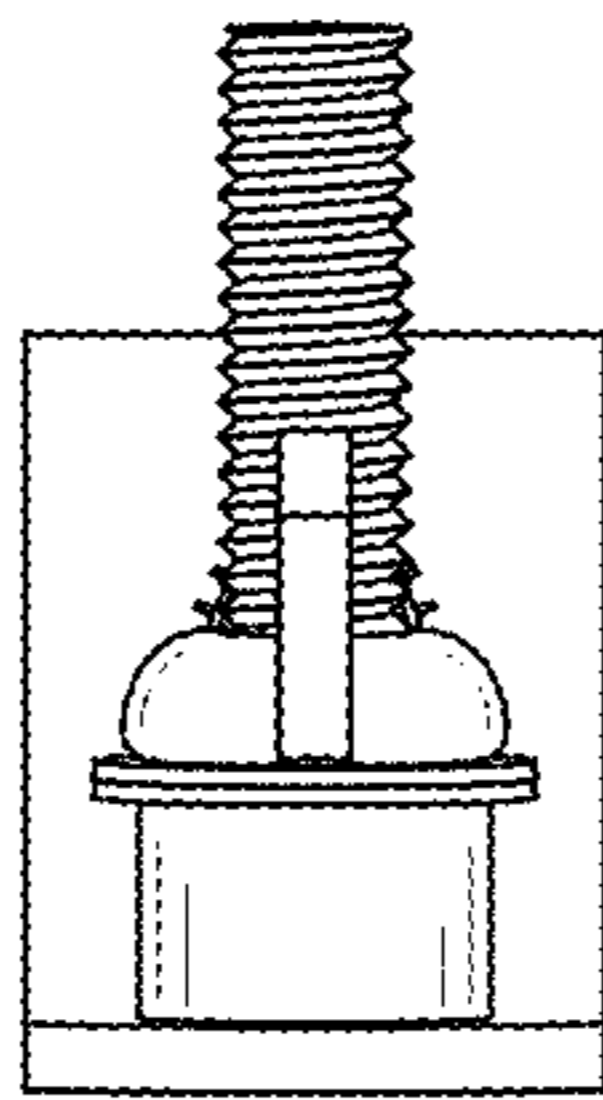


FIG. 7

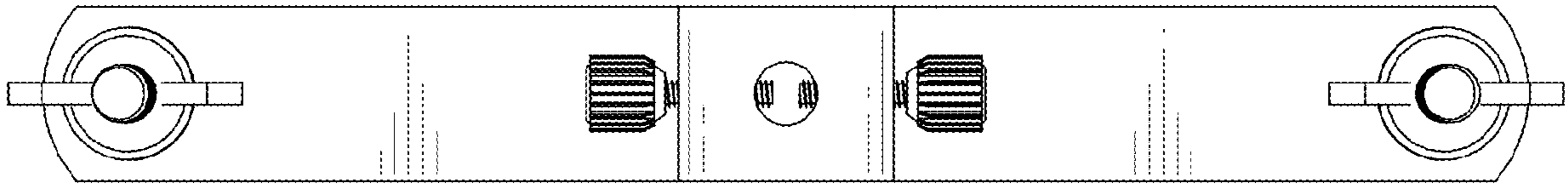


FIG. 8

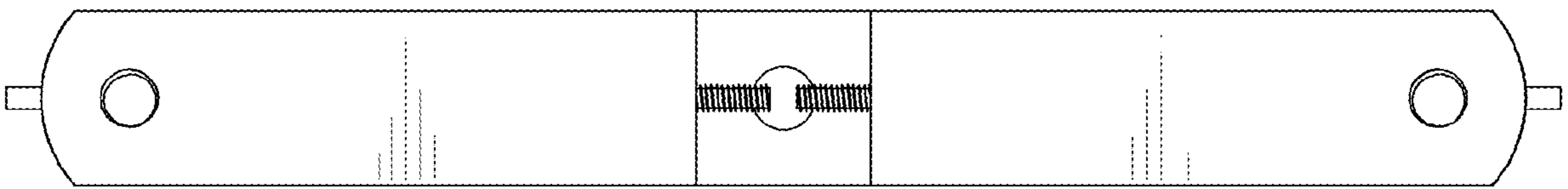


FIG. 9

