



US00D959953S

(12) **United States Design Patent** (10) **Patent No.:** **US D959,953 S**
Para (45) **Date of Patent:** **** Aug. 9, 2022**

(54) **KNOB**
(71) Applicant: **DELTA FAUCET COMPANY,**
Indianapolis, IN (US)
(72) Inventor: **Lauren Para,** Lisle, IL (US)
(73) Assignee: **DELTA FAUCET COMPANY,**
Indianapolis, IN (US)

4,790,208 A * 12/1988 Johnson G05G 1/12
411/189
D602,331 S * 10/2009 Owens D8/307
D602,333 S * 10/2009 Hanes D8/307
D680,405 S * 4/2013 Ramsland D8/305
D680,408 S * 4/2013 Han D8/307
D707,098 S * 6/2014 Han A47B 95/02
D8/305
D722,483 S * 2/2015 Han D8/305
D729,033 S * 5/2015 Zimmer D8/307

(**) Term: **15 Years**

* cited by examiner

(21) Appl. No.: **29/766,341**

Primary Examiner — Lauren R Calve

(22) Filed: **Jan. 14, 2021**

(74) *Attorney, Agent, or Firm* — Nirav D. Parikh; Edgar
A. Zarins

(51) **LOC (13) Cl.** **08-06**

(52) **U.S. Cl.**
USPC **D8/307**

(58) **Field of Classification Search**
USPC D8/300, 307, 310; D7/393; D23/250,
D23/252, 254
CPC ... Y10T 292/57; Y10T 16/469; Y10T 292/82;
Y10T 74/2084; Y10T 292/85; Y10T
16/458; Y10T 16/506; Y10T 70/5155;
Y10T 16/46; Y10T 16/4559; Y10T
74/20828; Y10T 70/8541; Y10T
74/20612; Y10T 16/459; Y10T 16/487;
Y10T 70/5389; Y10T 16/462; Y10T
16/4636; E05B 1/0007; E05B 3/00; Y10S
16/30; Y10S 292/53; Y10S 292/27
See application file for complete search history.

(57) **CLAIM**

The ornamental design for a knob, as shown and described.

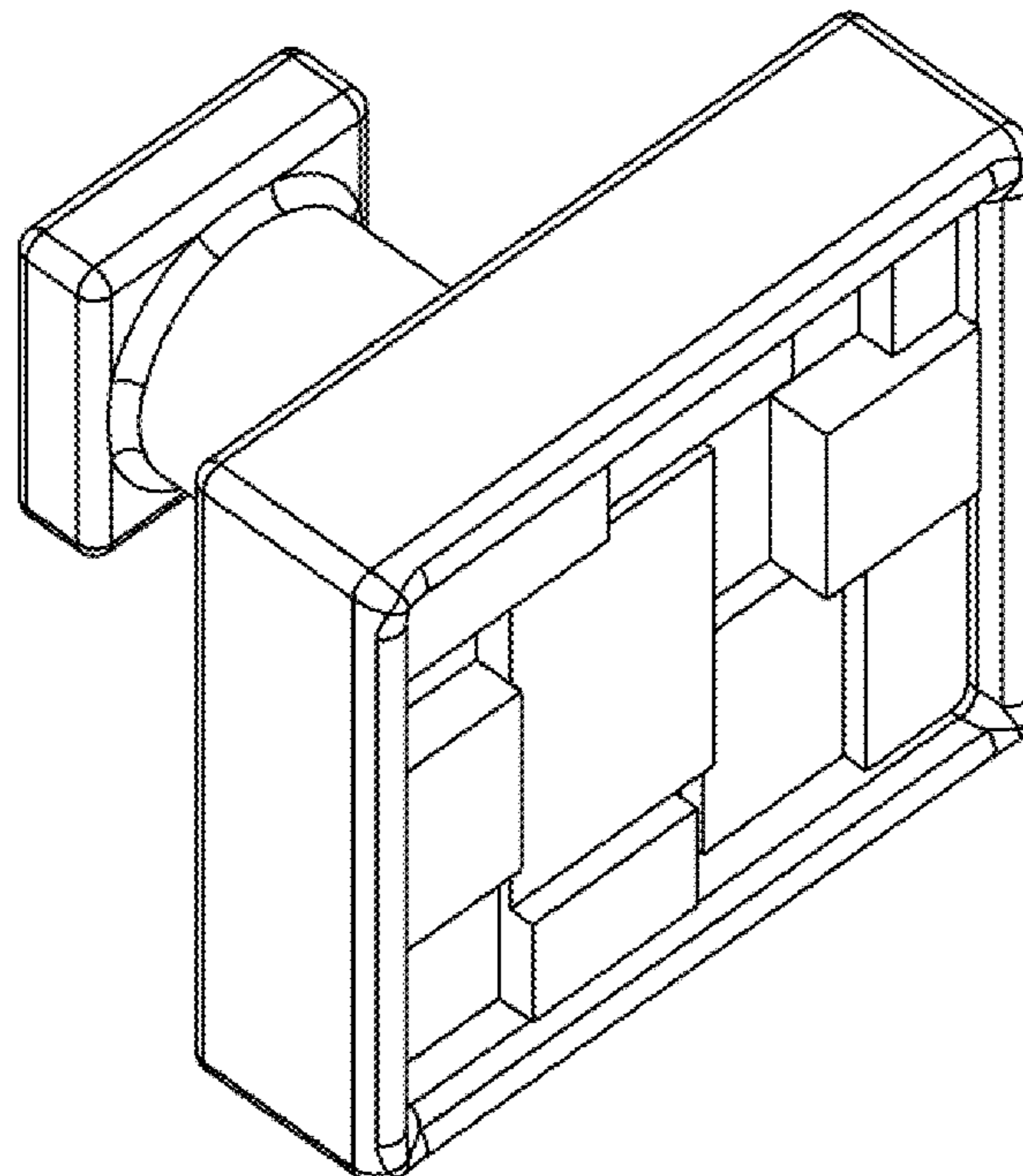
DESCRIPTION

FIG. 1 is a front perspective view of a knob showing my new design;
FIG. 2 is a rear perspective view thereof;
FIG. 3 is a front elevational view thereof;
FIG. 4 is a left side view thereof;
FIG. 5 is a rear view thereof;
FIG. 6 is a right side view thereof;
FIG. 7 is a top plan view thereof; and,
FIG. 8 is a bottom view thereof.

(56) **References Cited**
U.S. PATENT DOCUMENTS

2,679,913 A * 6/1954 Scott E05B 1/0015
219/229

1 Claim, 4 Drawing Sheets



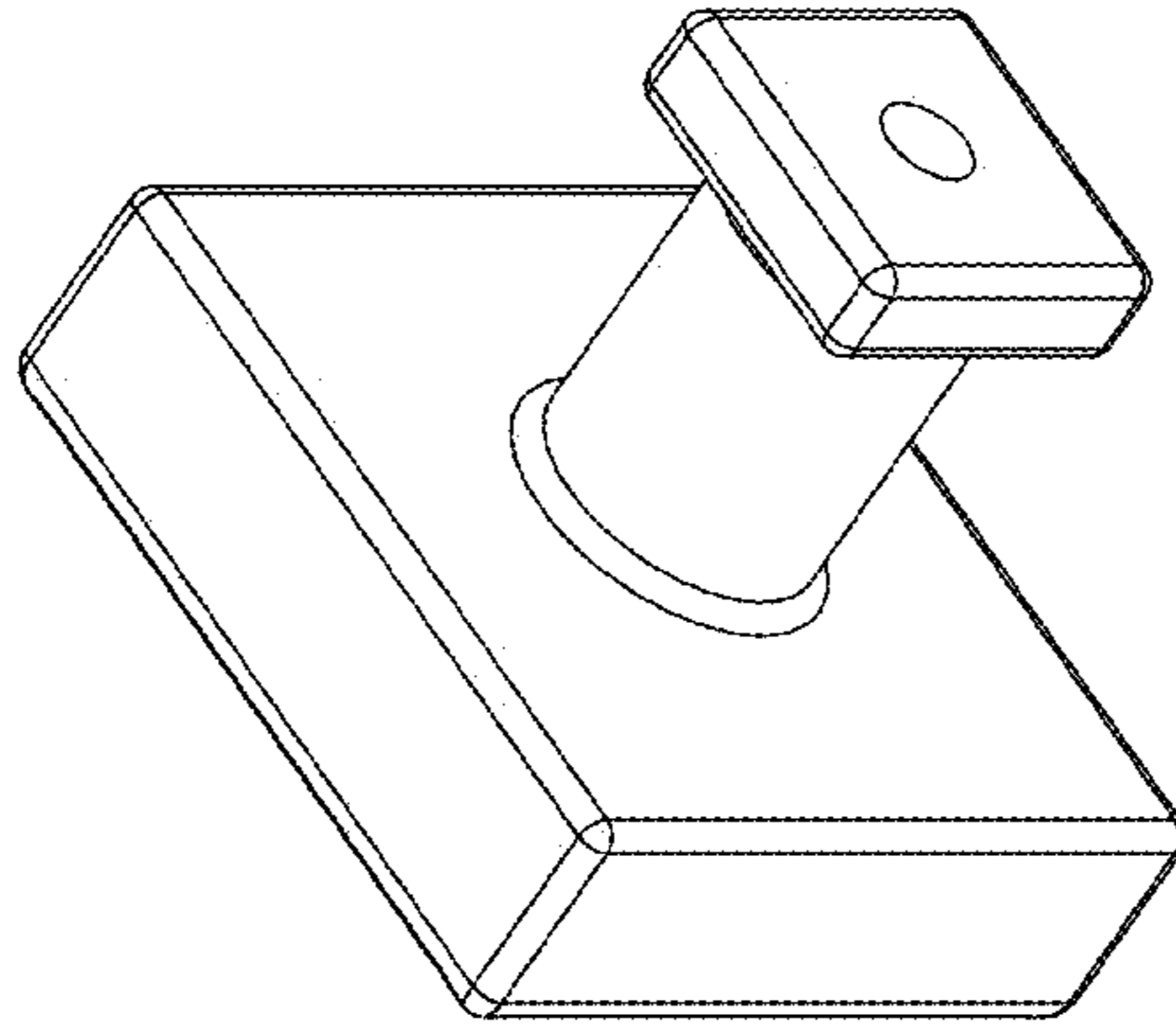


FIG - 2

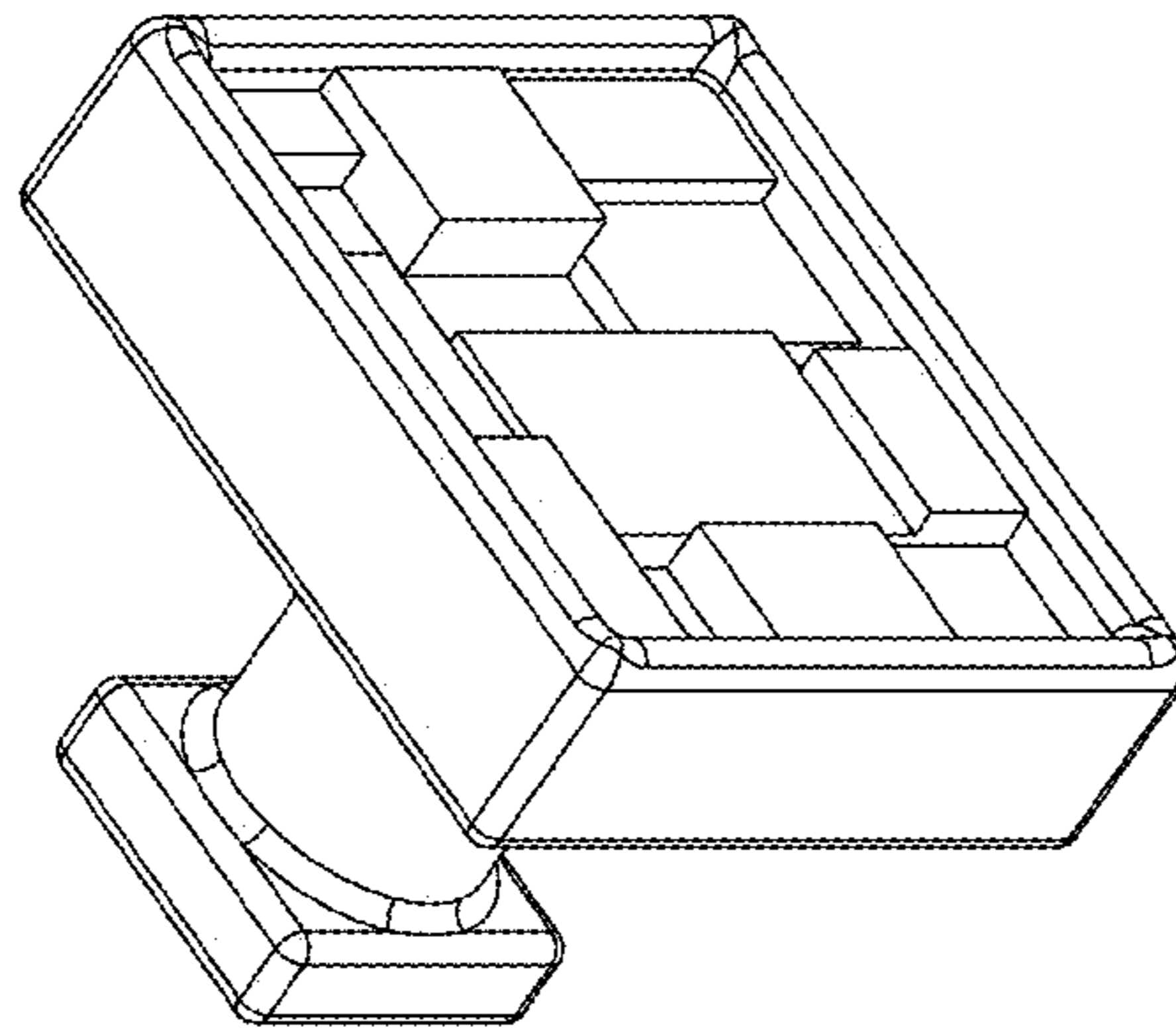


FIG - 1

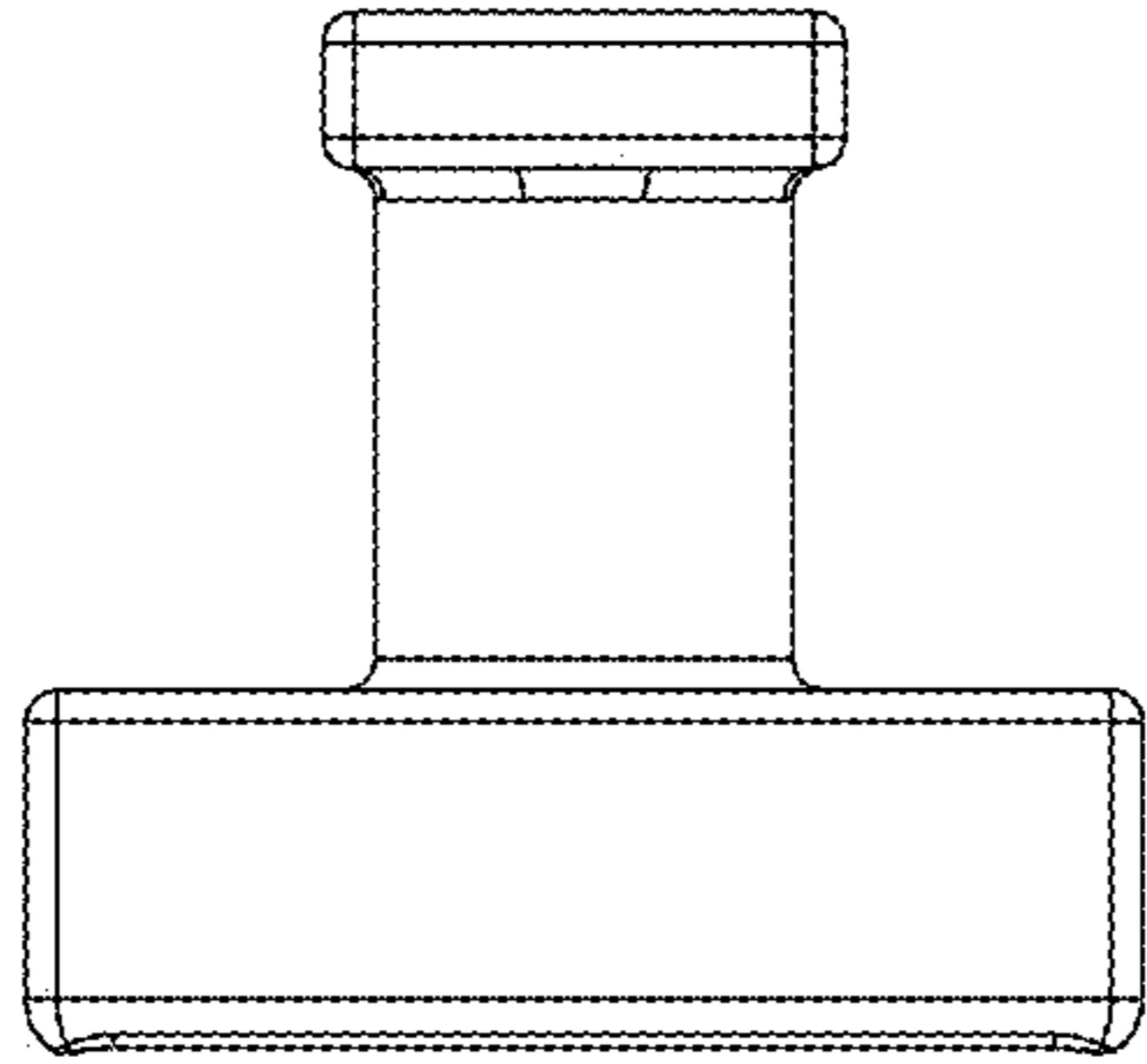


FIG - 4

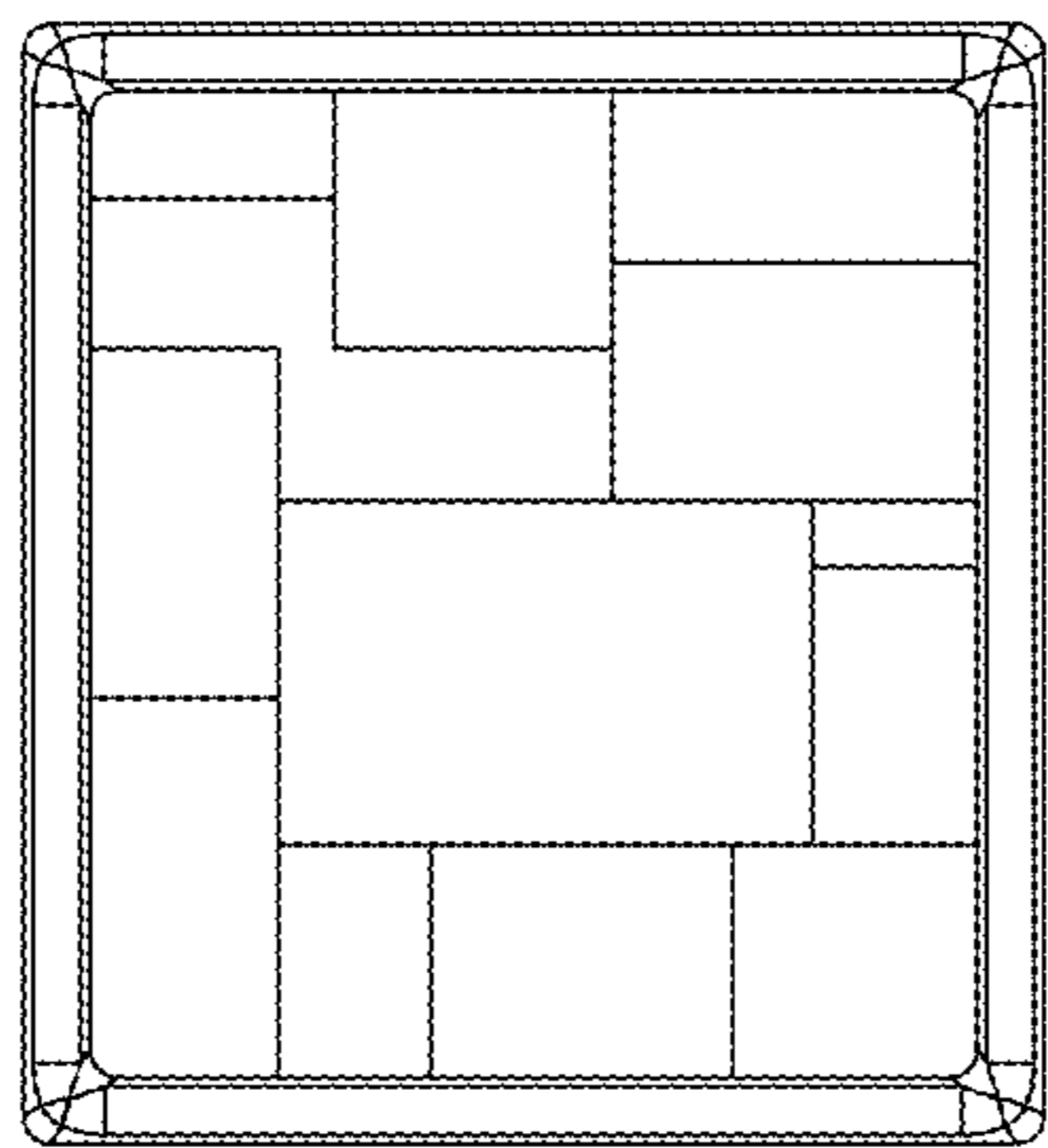


FIG - 3

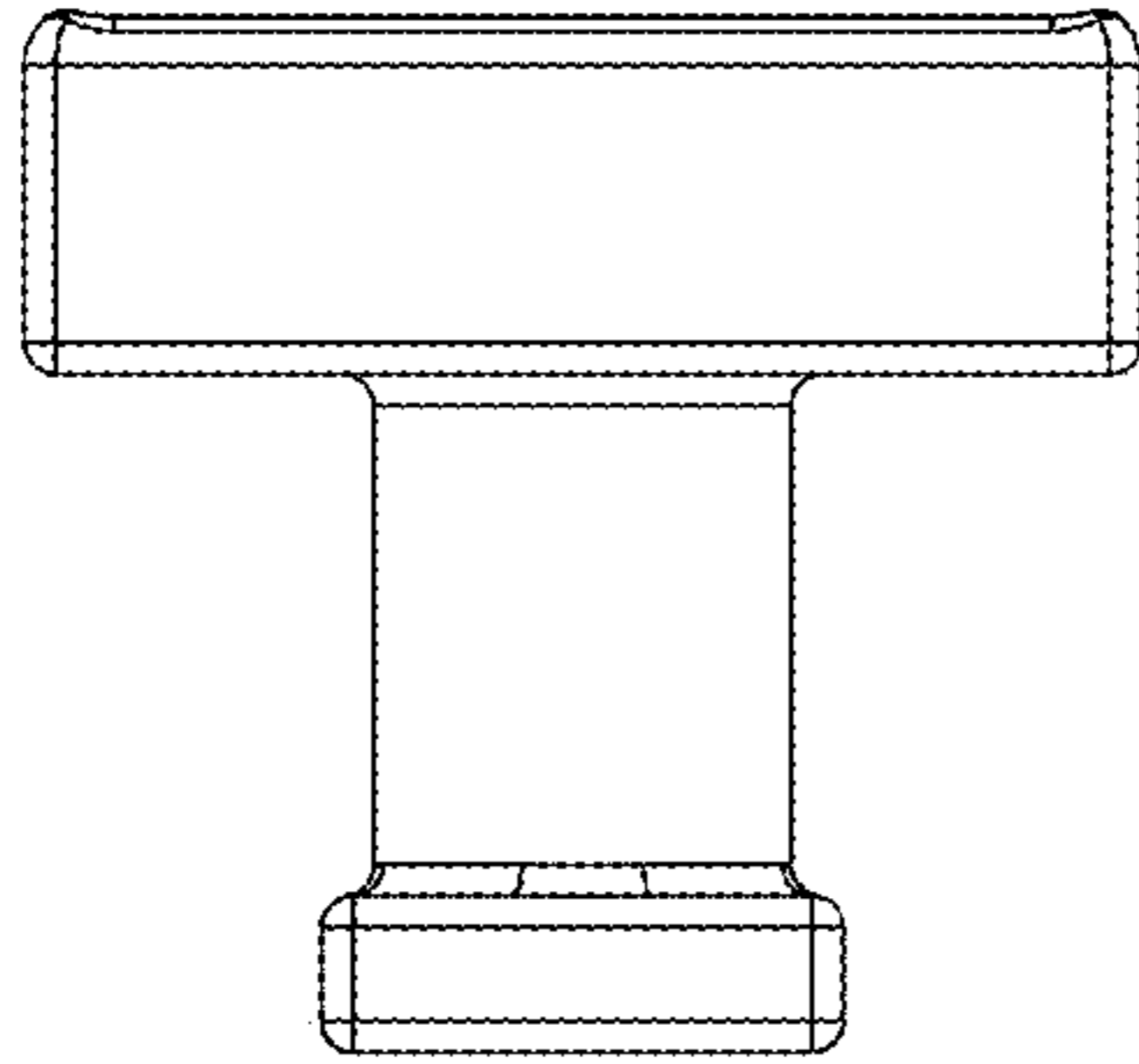


FIG - 6

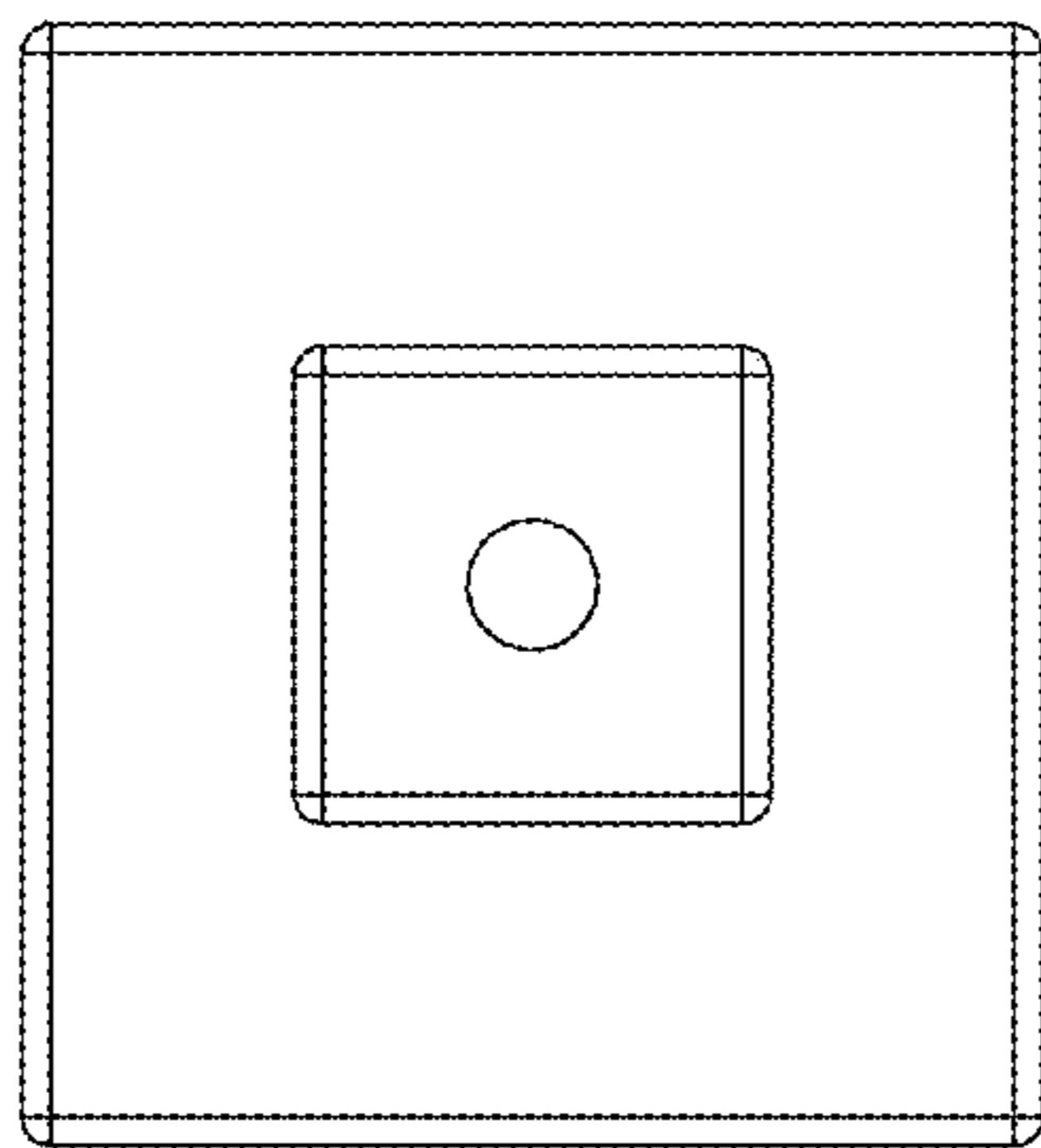


FIG - 5

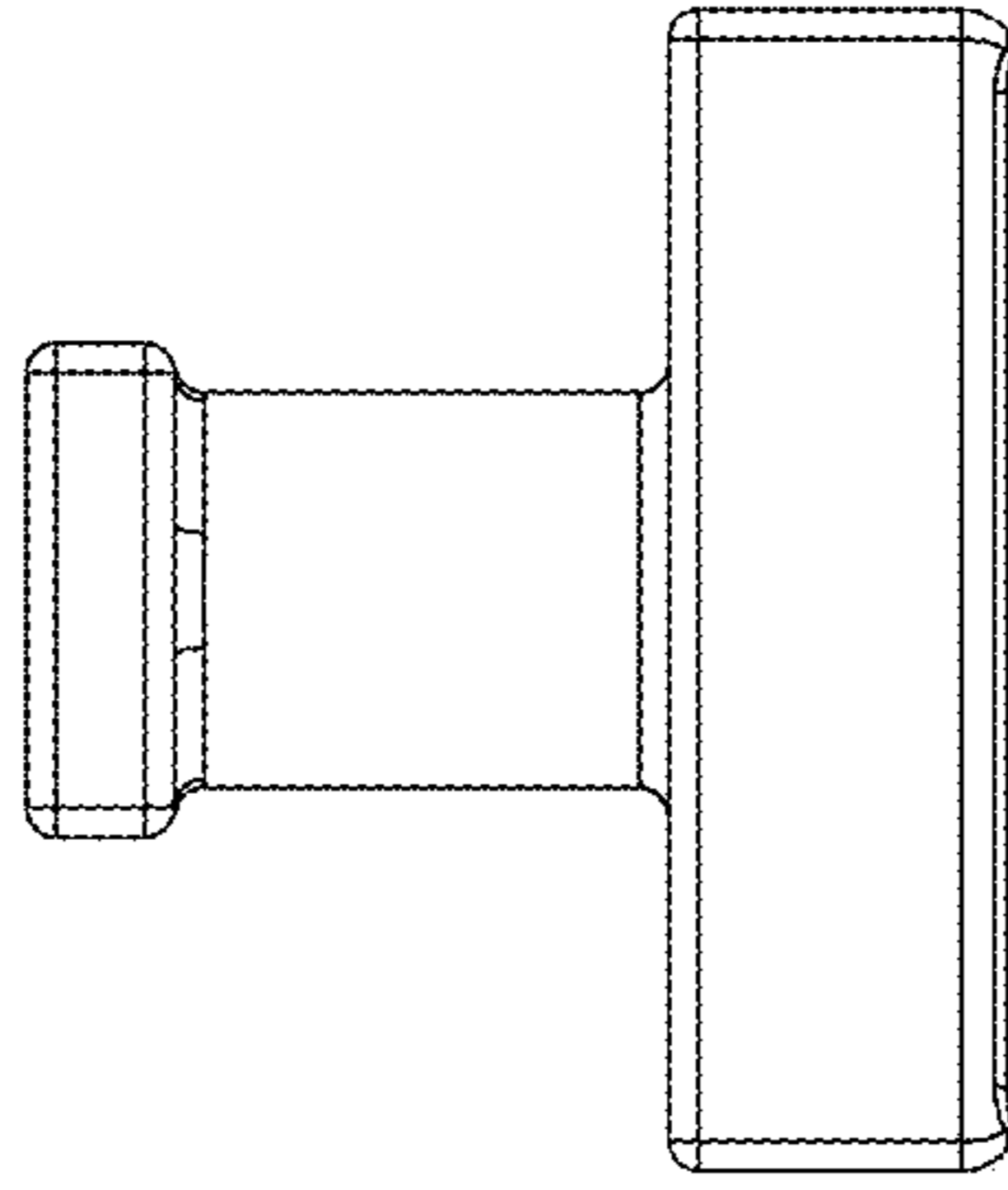


FIG - 8

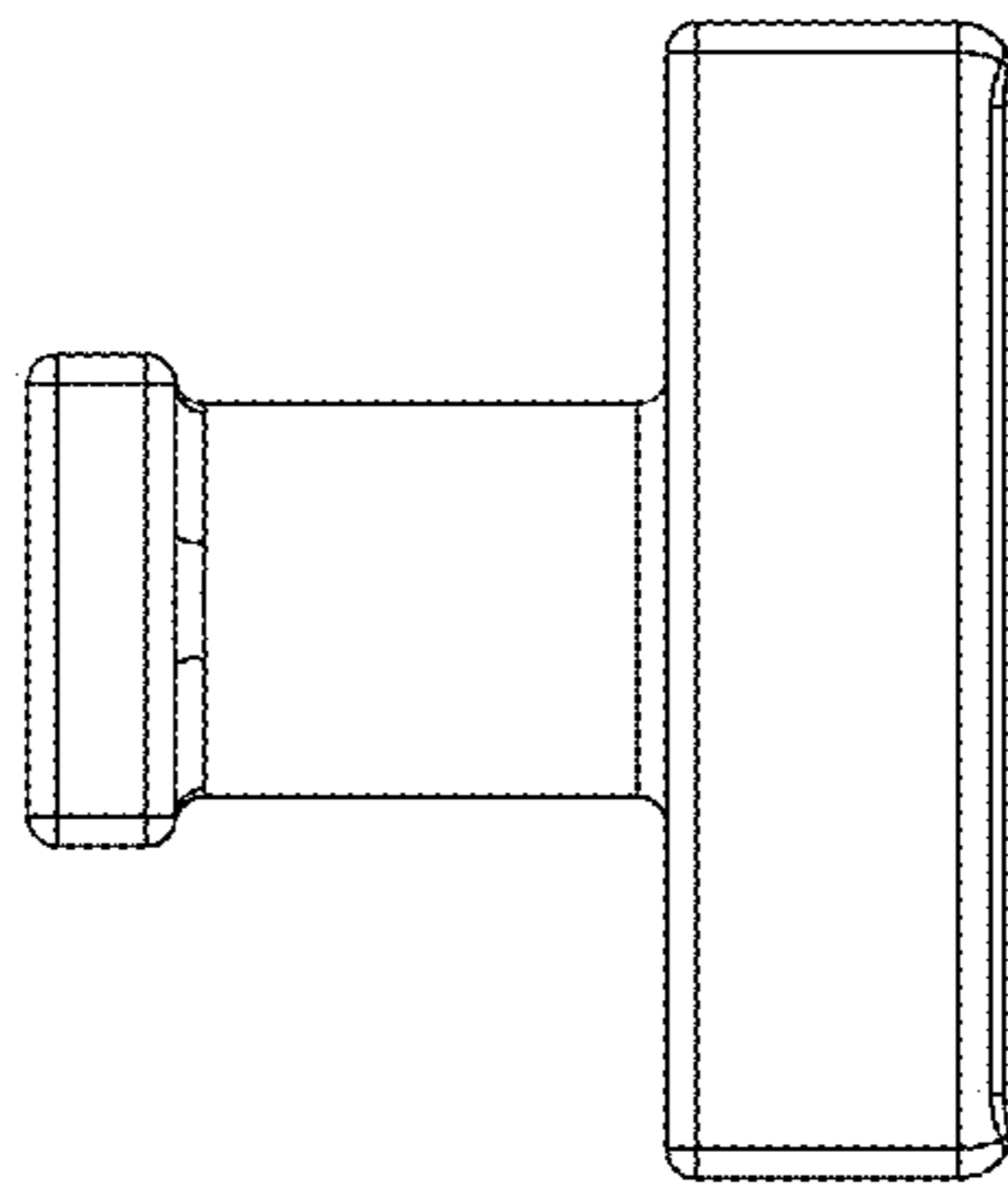


FIG - 7