



US00D959952S

(12) **United States Design Patent** (10) **Patent No.:** **US D959,952 S**
Zemel et al. (45) **Date of Patent:** **** Aug. 9, 2022**

(54) **FOOT OPERATED DOOR PULL**
(71) Applicant: **Mr. Bar-B-Q Products LLC**, Melville, NY (US)
(72) Inventors: **Marc Zemel**, Melville, NY (US); **Joanne Rudis**, Melville, NY (US)
(73) Assignee: **Mr. Bar-B-Q Products LLC**, Hauppauge, NY (US)

5,983,454 A 11/1999 Hartselle, III
D417,833 S * 12/1999 Heithe D8/301
6,289,557 B1 9/2001 Manson et al.
6,360,488 B1 3/2002 Darling
7,043,799 B2 5/2006 Moody
D595,560 S * 7/2009 Miska D8/314
D601,880 S * 10/2009 Veilleux D8/367
D646,549 S * 10/2011 Mussi D8/302
9,115,530 B2 8/2015 Michael et al.
9,822,572 B2 11/2017 Brown
D859,956 S 9/2019 McNaughton
D939,935 S * 1/2022 Tang D8/354

(**) Term: **15 Years**

(21) Appl. No.: **29/746,865**

(22) Filed: **Aug. 18, 2020**

(51) **LOC (13) Cl.** **08-06**

(52) **U.S. Cl.**
USPC **D8/307**

(58) **Field of Classification Search**
USPC D8/300-302, 307, 308, 331, 343, 367, D8/371, 394, 395, 396, 398
CPC Y10T 74/20612; Y10T 74/2014; Y10T 74/20696; Y10T 74/20396; Y10T 74/206; Y10T 74/20618; Y10T 74/19251; Y10T 74/2011; Y10T 29/49826; Y10T 74/20213; Y10T 74/20822; Y10T 16/459; Y10S 292/27; Y10S 292/53; E05Y 2201/244; E05Y 2400/86; E05F 11/54; E05F 15/616; E05B 1/0053; E05B 1/0015; E05B 1/0069
See application file for complete search history.

(56) **References Cited**

U.S. PATENT DOCUMENTS

842,081 A 1/1907 Clark
2,737,408 A * 3/1956 Sperry E05C 17/54 49/470
3,009,214 A * 11/1961 Thompson E06B 3/44 16/443
3,121,907 A 2/1964 Stebbins
D237,797 S * 11/1975 Hermann D23/311

OTHER PUBLICATIONS

Nemco 69811 Clean Getaway Stainless Steel Hands-Free Forearm Door Opener, retrieved from www.webrestaurantstore.com on Dec. 1, 2020 (6 pages).

(Continued)

Primary Examiner — Lauren R Calve
(74) *Attorney, Agent, or Firm* — Carter, DeLuca & Farrell LLP

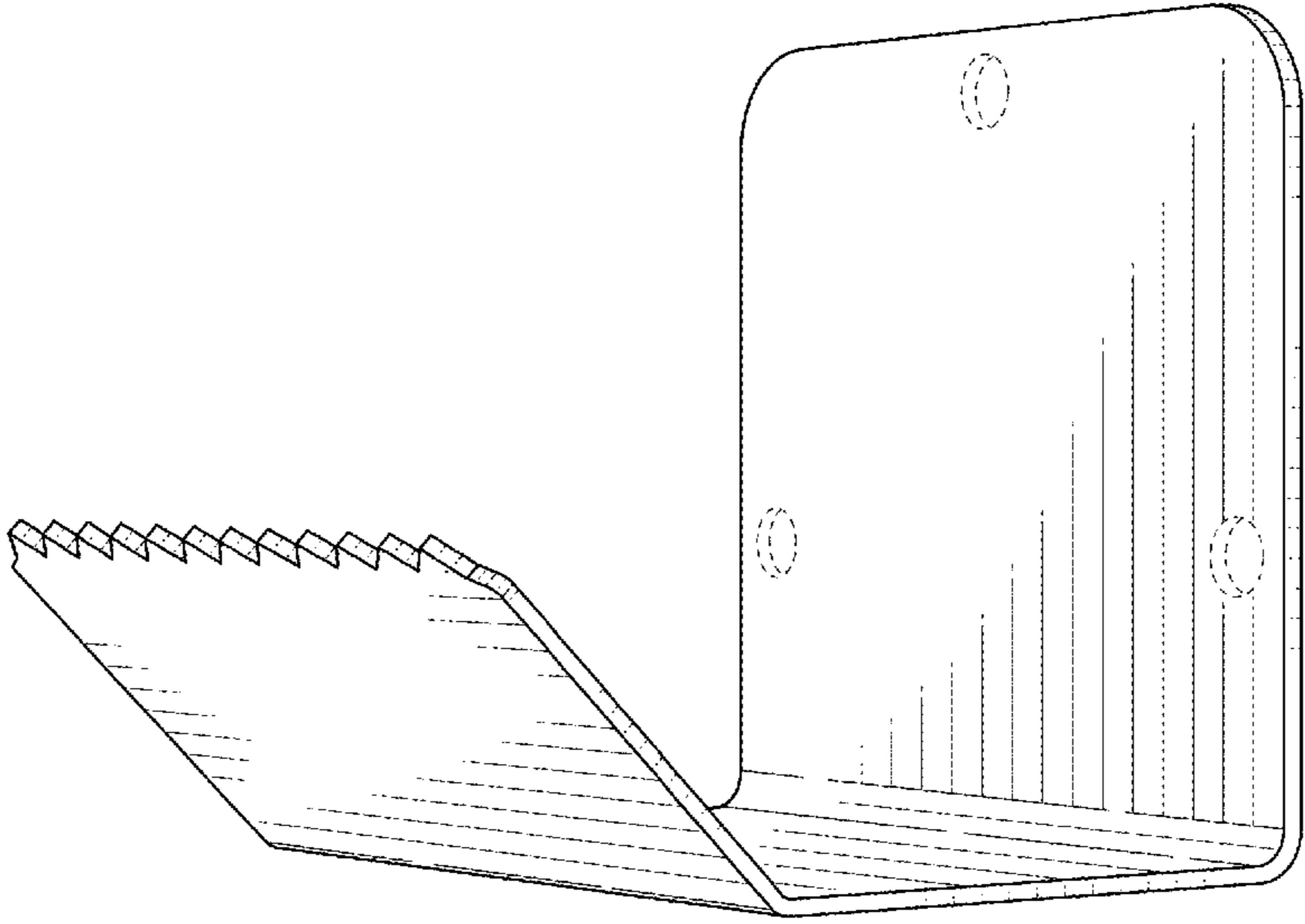
(57) **CLAIM**

The ornamental design for a foot operated door pull, as shown and described.

DESCRIPTION

FIG. 1 is a top perspective view of a foot operated door pull in accordance with the present design;
FIG. 2 is a right side elevational view thereof;
FIG. 3 is a left side elevational view thereof;
FIG. 4 is a front elevational view thereof;
FIG. 5 is a rear elevational view thereof;
FIG. 6 is a top plan view thereof; and,
FIG. 7 is a bottom plan view thereof.
The broken lines shown in the drawings illustrate portions of the foot operated door pull that form no part of the claimed design.

1 Claim, 4 Drawing Sheets



(56)

References Cited

U.S. PATENT DOCUMENTS

D940,528 S * 1/2022 Zutler D8/307
D945,245 S * 3/2022 Bennett D8/307
2009/0145037 A1* 6/2009 Michael E05C 17/50
49/359
2013/0118085 A1* 5/2013 Hedemark F16H 21/44
49/504
2014/0197648 A1* 7/2014 Brown E05F 11/54
292/336.3
2016/0076295 A1 3/2016 Boyd
2016/0340929 A1* 11/2016 Gagnon E05B 1/0015
2019/0128022 A1* 5/2019 Markway E05B 17/22
2020/0071962 A1* 3/2020 Markway E05B 1/0046

OTHER PUBLICATIONS

Restroom Direct Arm Pull, retrieved from www.restroomdirect.com on Dec. 1, 2020 (5 pages).

Speedway Motors Hands-Free Sanitary Arm Pull and Foot Door Openers, retrieved from www.speedwaymotors.com on Dec. 1, 2020 (5 pages).

Nemco 69813 Clean Getaway Stainless Steel Hands-Free Foot Door Opener, retrieved from www.webstaurantstore.com on Dec. 1, 2020 (6 pages).

* cited by examiner

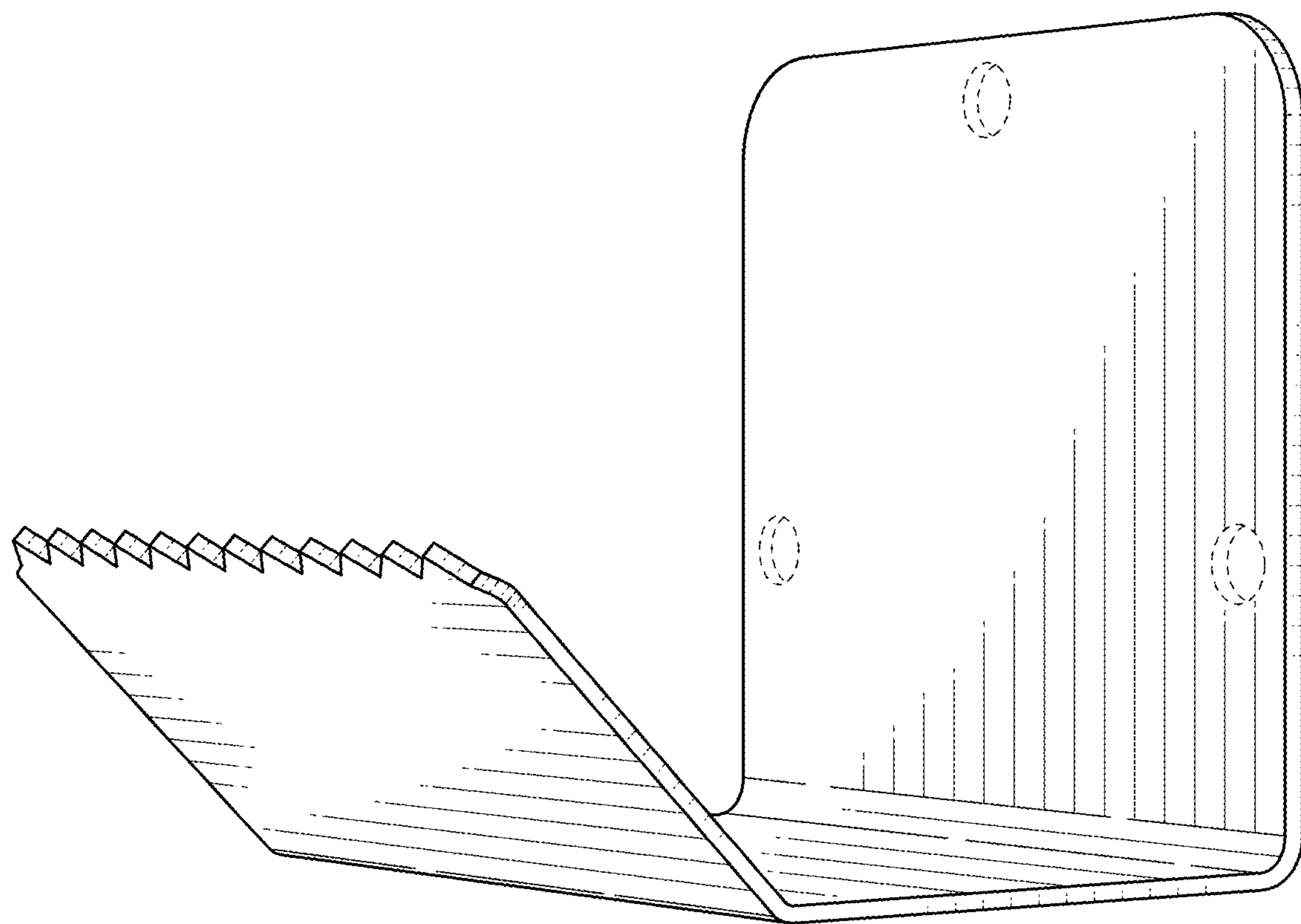


FIG. 1

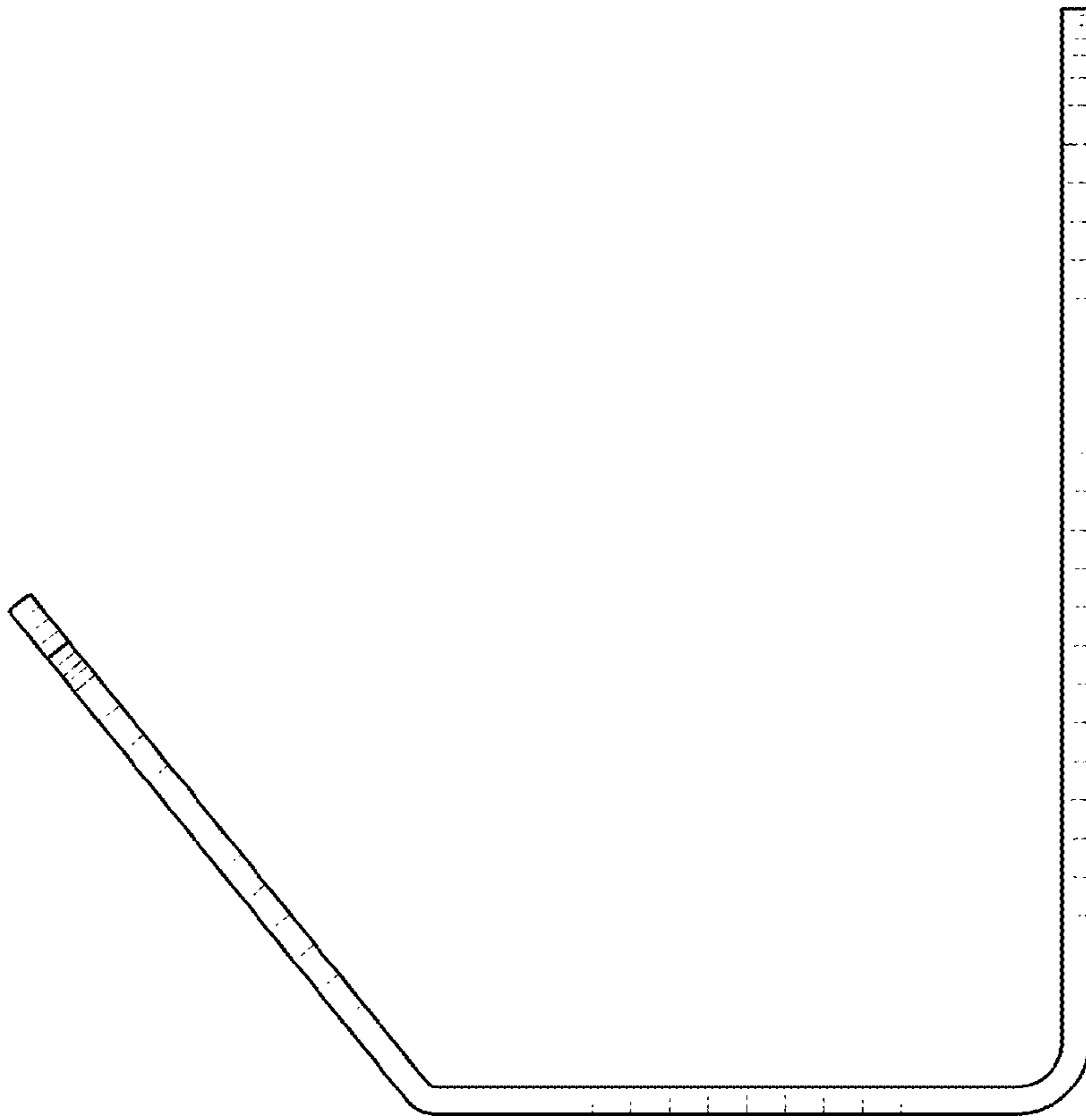


FIG. 2

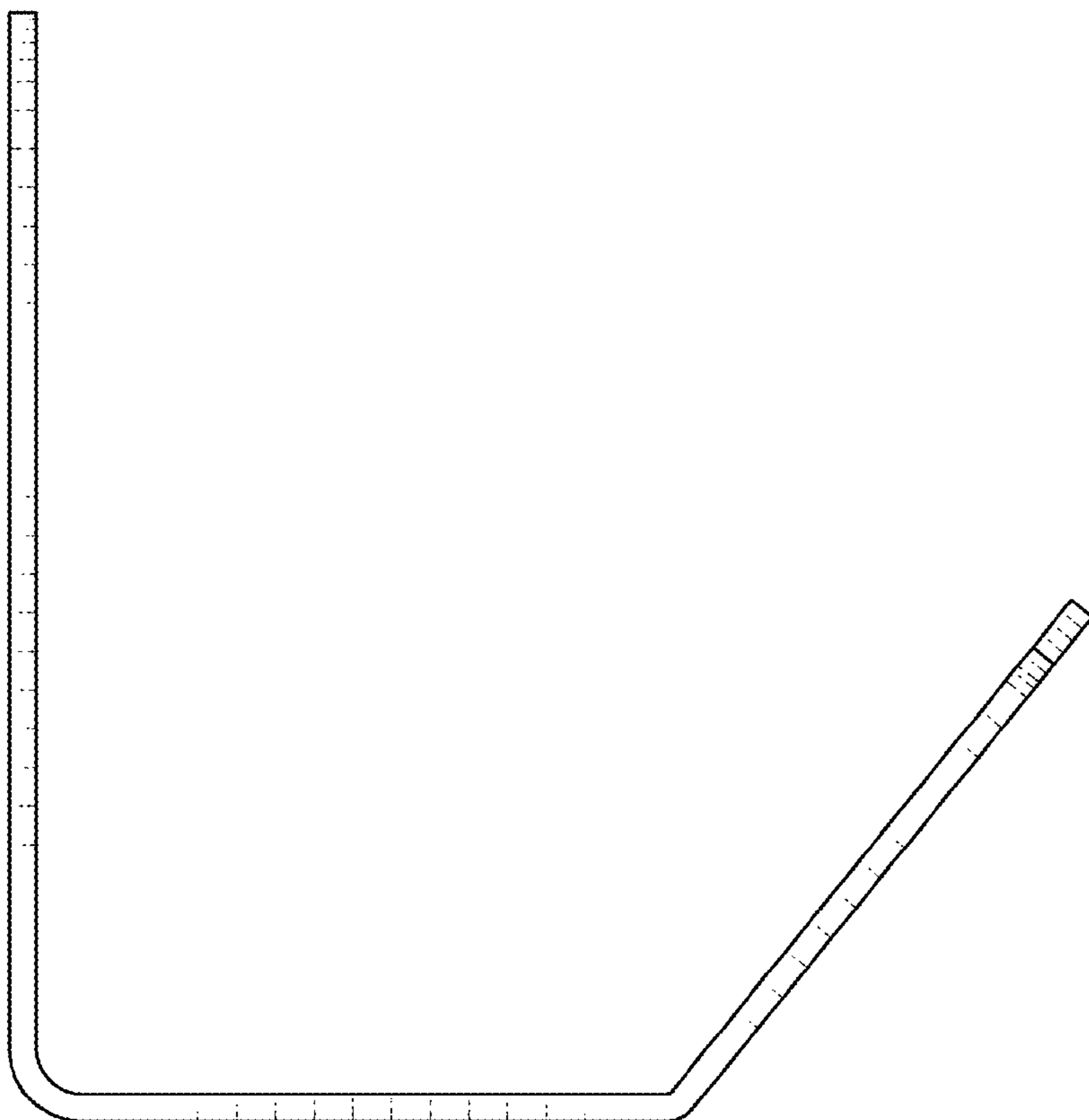


FIG. 3

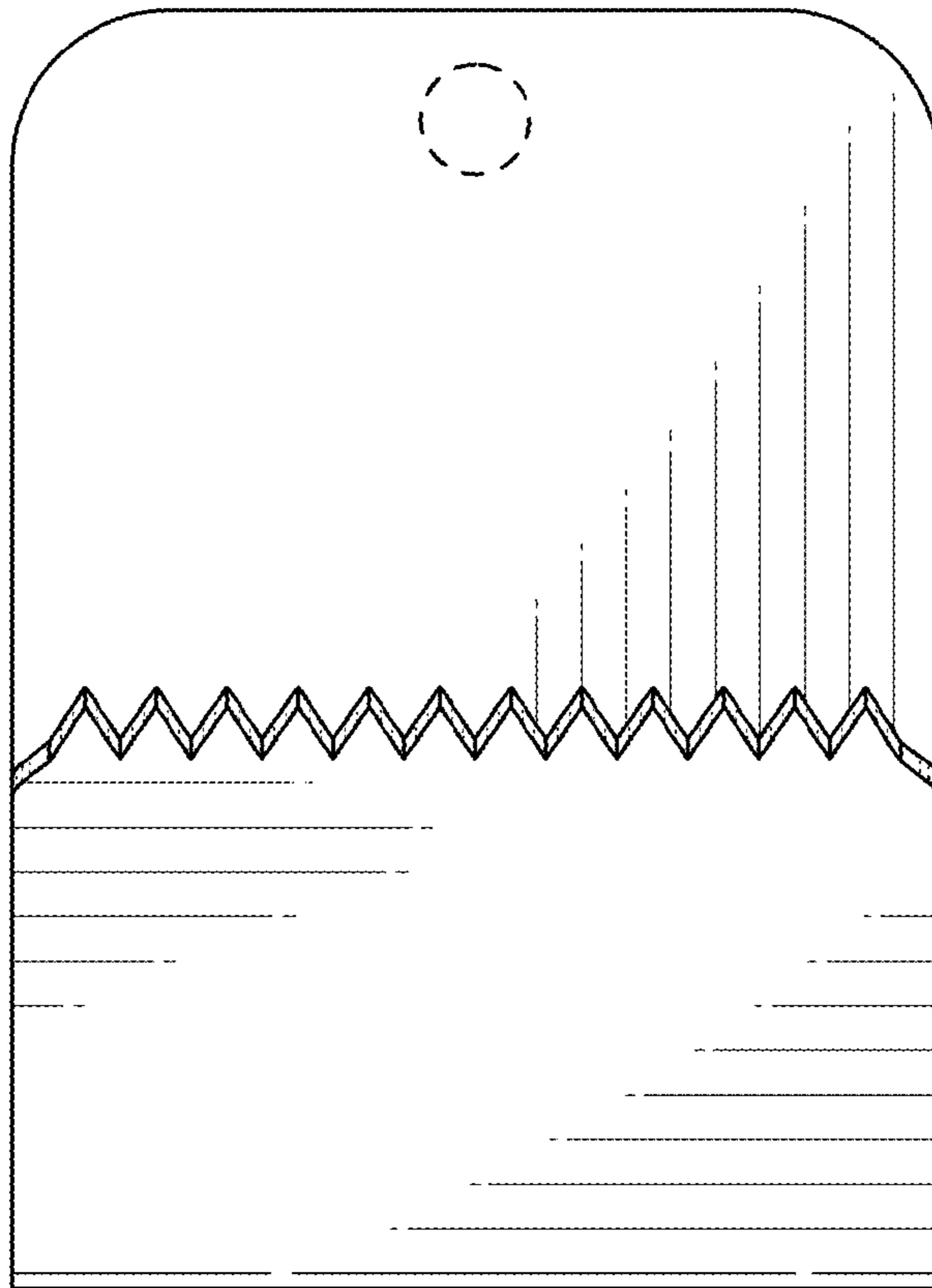


FIG. 4

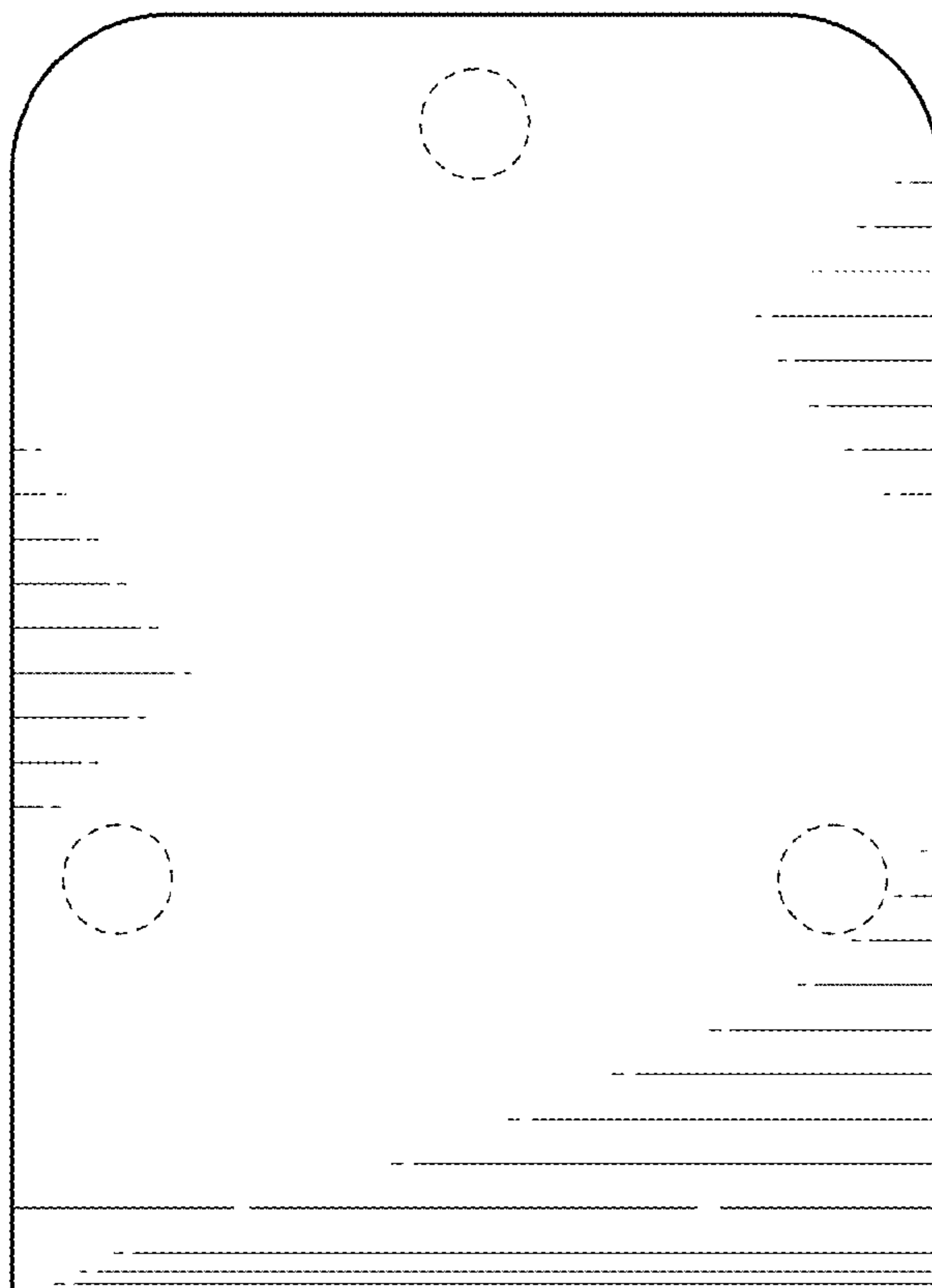


FIG. 5

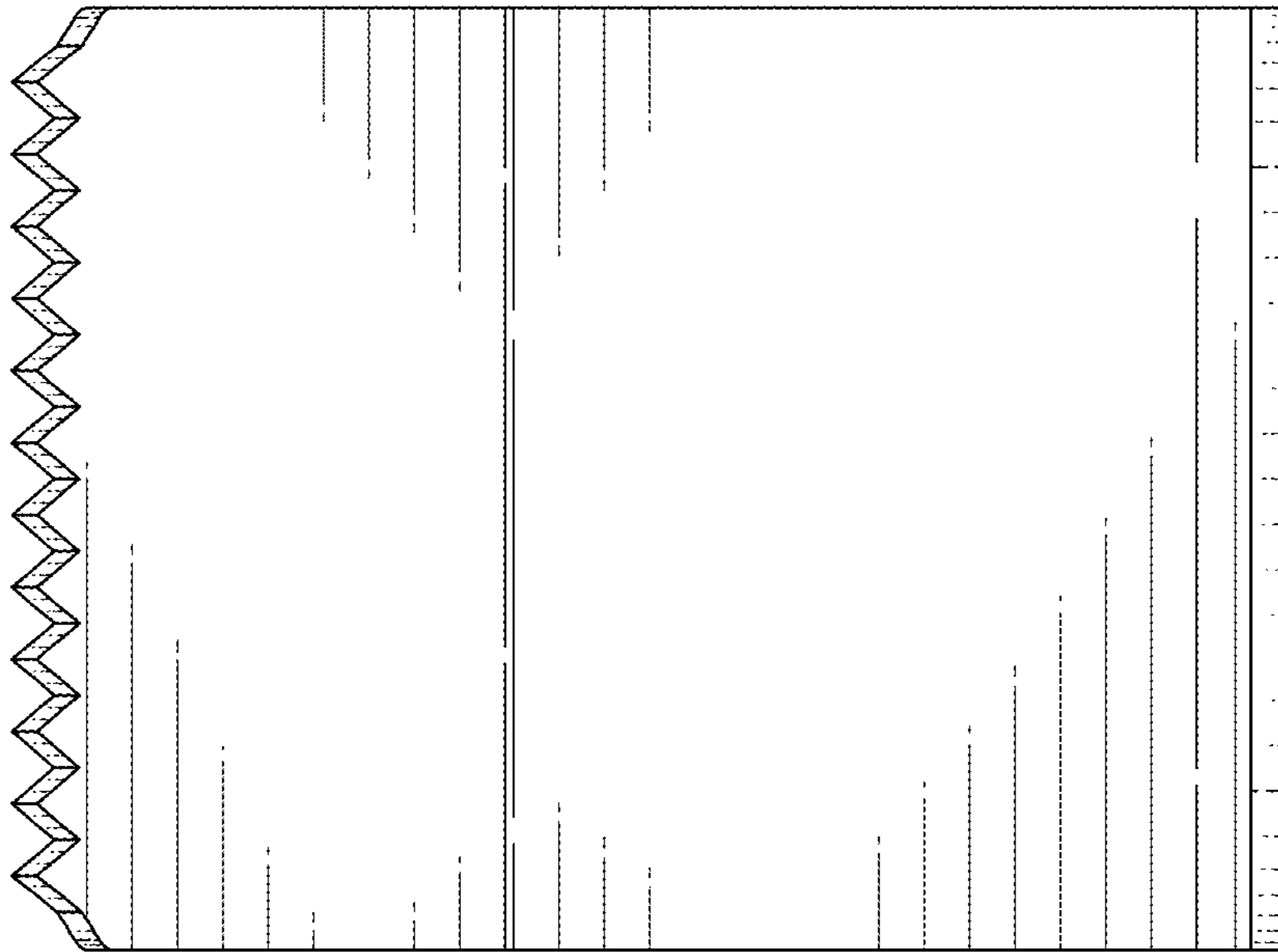


FIG. 6

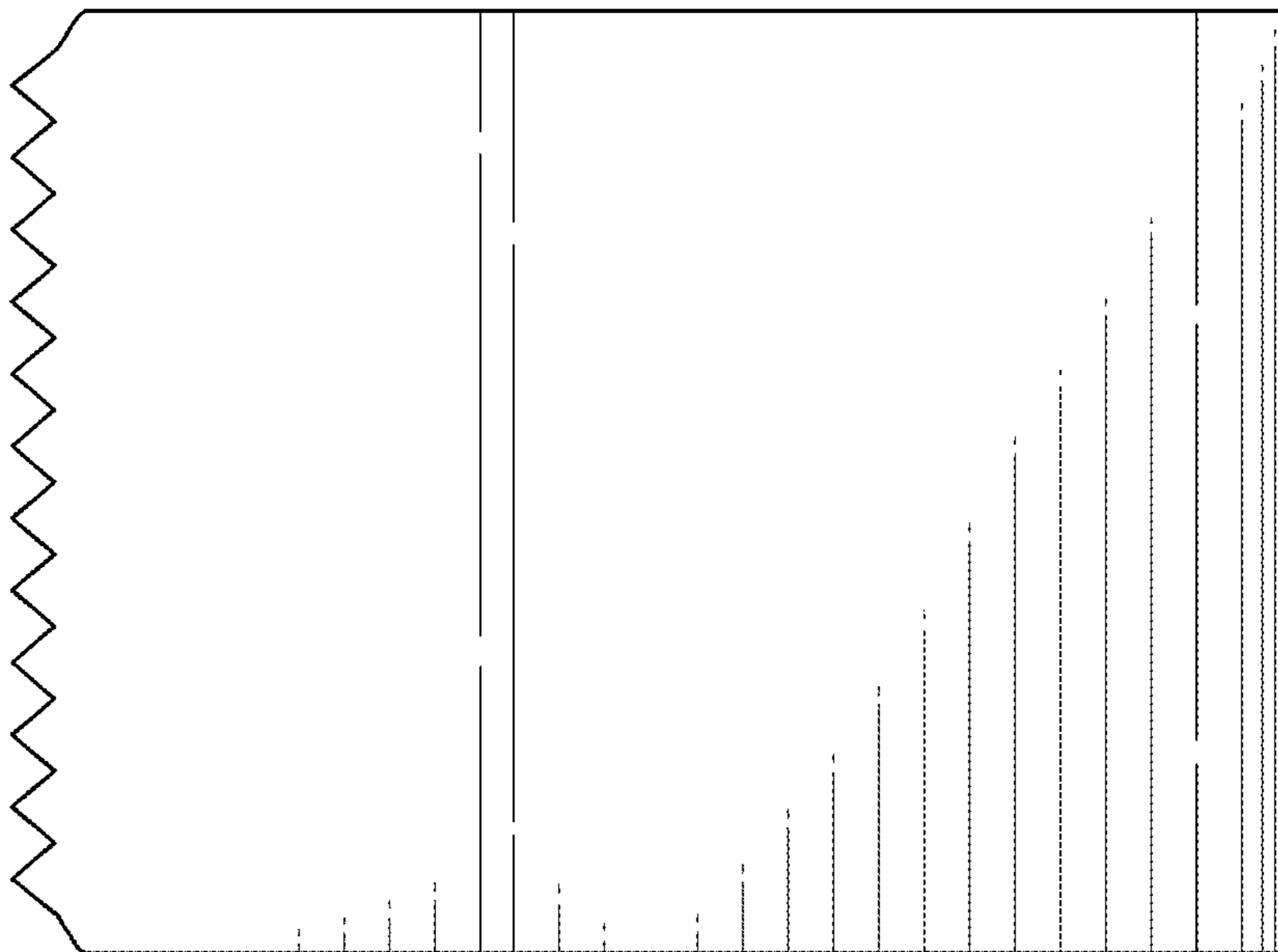


FIG. 7