



US00D959951S

(12) **United States Design Patent** (10) **Patent No.:** **US D959,951 S**  
**Yu** (45) **Date of Patent:** **\*\* Aug. 9, 2022**

- (54) **HAND PUMP**
- (71) Applicant: **Wan-Sheng Yu**, Taipei (TW)
- (72) Inventor: **Wan-Sheng Yu**, Taipei (TW)
- (\*\*) Term: **15 Years**
- (21) Appl. No.: **29/693,123**
- (22) Filed: **May 31, 2019**

D779,908	S	*	2/2017	Le	.....	D8/306
9,964,378	B1	*	5/2018	Williams	.....	F41A 29/02
D939,586	S	*	12/2021	Hsiao	.....	D15/9
D939,587	S	*	12/2021	Hsiao	.....	D15/9
11,199,185	B2	*	12/2021	Kennedy Lageson	..	F04B 39/12
2011/0079113	A1	*	4/2011	Johnson	.....	B25G 3/38
						81/60
2011/0100166	A1	*	5/2011	Darbinyan	.....	B25B 13/38
						81/90.1
2012/0097275	A1	*	4/2012	Yang	.....	F04B 9/14
						137/565.25

(Continued)

**Related U.S. Application Data**

- (63) Continuation-in-part of application No. 15/226,942, filed on Aug. 3, 2016, now abandoned.
- (51) **LOC (13) Cl.** ..... **08-06**
- (52) **U.S. Cl.**  
USPC ..... **D8/306**
- (58) **Field of Classification Search**  
USPC ..... D15/7-9; D23/225, 231-232; D8/306  
CPC ..... F02M 37/04; F02M 37/14; F04B 33/005;  
F04B 39/0005; F04B 35/01; F04B 5/02;  
F04B 25/005; F04F 1/00; F04F 1/06;  
F04F 1/16; A47J 27/21183; B67D 1/08;  
B67D 7/60; E03C 1/308; B05B 9/0426  
See application file for complete search history.

**References Cited**

**U.S. PATENT DOCUMENTS**

4,334,839	A	6/1982	Flagg		
D285,241	S	* 8/1986	Reece	.....	D23/231
D287,531	S	* 12/1986	Evans	.....	D23/231
5,433,136	A	* 7/1995	Lung-Po	.....	F04B 33/005
					417/234
5,551,848	A	* 9/1996	Chuang	.....	F04B 33/005
					417/437
5,775,200	A	7/1998	Tsai		
5,964,577	A	10/1999	Chuang		
6,119,581	A	9/2000	Po		
6,485,264	B1	11/2002	Wu		
D555,445	S	* 11/2007	Strahorn	.....	D8/21
7,331,768	B2	2/2008	Wu		
D657,225	S	4/2012	Chen		

**OTHER PUBLICATIONS**

Underhill A-G12S-C Gulp Pro Syringe Water Removal Pump, Hand, Sep. 22, 2017, amazon.com, Nov. 30, 2021, URL: <https://www.amazon.com/Underhill-Syringe-Water-Removal-Siphon/dp/B003TLN7XY> (Year: 2017).\*

(Continued)

*Primary Examiner* — Keith J Wilson

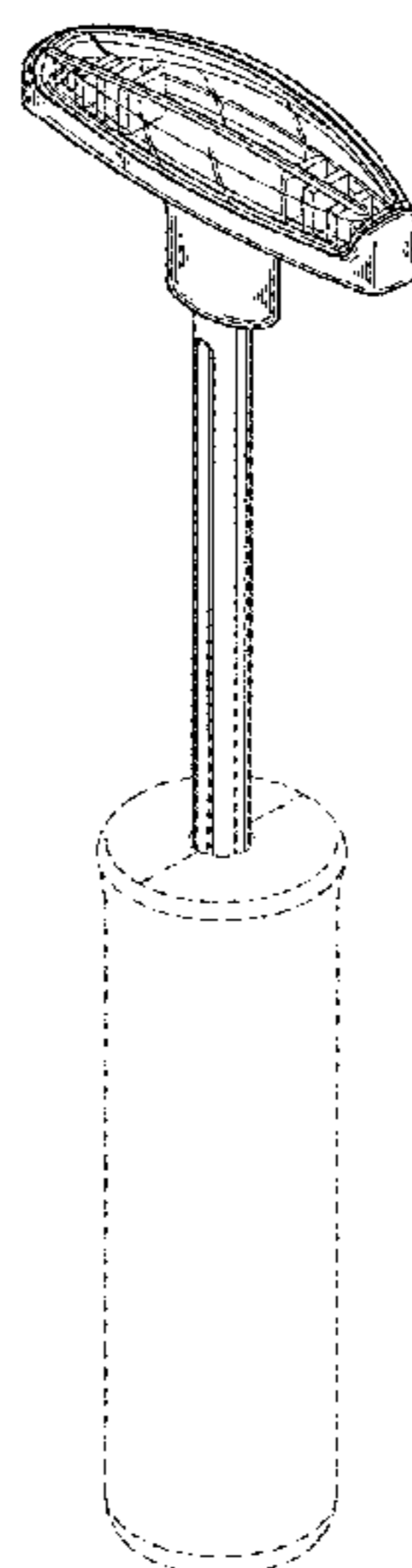
(57) **CLAIM**

The ornamental design for a hand pump, as shown and described.

**DESCRIPTION**

FIG. 1 is a perspective view of a hand pump according to my new design;  
 FIG. 2 is a front elevation view thereof;  
 FIG. 3 is a rear elevation view thereof;  
 FIG. 4 is a left side elevation view thereof;  
 FIG. 5 is a right side elevation view thereof;  
 FIG. 6 is a top plan view thereof;  
 FIG. 7 is a bottom plan view thereof;  
 FIG. 8 is a perspective view of the hand pump according to my new design which take off the upper cover; and,  
 FIG. 9 is a cross-sectional view from 9-9 line of FIG. 6.  
 The broken lines are included for the purpose of illustrating portions of the hand pump that form no part of the claimed design.

**1 Claim, 9 Drawing Sheets**



(56)

**References Cited**

U.S. PATENT DOCUMENTS

2013/0104442	A1 *	5/2013	Hancharick .....	F41C 9/085 42/90
2014/0090553	A1 *	4/2014	Wang .....	F04B 9/14 92/58.1
2015/0330377	A1 *	11/2015	Wang .....	F04B 33/00 417/374
2016/0090972	A1 *	3/2016	Tong .....	F04B 33/005 417/374
2017/0261007	A1 *	9/2017	Wang .....	F04B 33/005
2018/0038360	A1 *	2/2018	Yu .....	F04B 39/121
2018/0340524	A1 *	11/2018	Wang .....	F04B 51/00
2018/0340528	A1 *	11/2018	Wang .....	F04B 39/14

OTHER PUBLICATIONS

Hand-Operated Water and Chemical Siphon/Drum Pump, 32 Strokes/  
Gallon, Oct. 20, 2010, amazon.com, Nov. 30, 2021, URL: [https://](https://www.amazon.com/Hand-Operated-Chemical-Siphon-32-Strokes-Gallon/dp/B003LYY4FY)

[www.amazon.com/Hand-Operated-Chemical-Siphon-32-Strokes-Gallon/dp/B003LYY4FY](https://www.amazon.com/Hand-Operated-Chemical-Siphon-32-Strokes-Gallon/dp/B003LYY4FY) (Year: 2010).\*

Lumax LX-1387 Gold/Silver Fluid Extractor/Dispenser, Jul. 2, 2011, amazon.com, Nov. 30, 2021, URL: <https://www.amazon.com/Lumax-LX-1387-Extractor-Dispenser-Capacity/dp/B0059HK5D6> (Year: 2011).\*

Slime 24011 Reamer/Plunger Kit T Handle, Jan. 24, 2015, amazon.ca, Jan. 20, 2022, URL: <https://www.amazon.ca/Slime-24011-Tire-Plug-T-Handle/dp/B00C5TJ1MM> (Year: 2015).\*

Camco Black 39508 RV Waste Valve Replacement Plastic Handle, Sep. 8, 2018, amazon.ca, Jan. 20, 2022, URL: <https://www.amazon.ca/Camco-39508-Replacement-Handle-Plastic/dp/B07FD4T2DP> (Year: 2018).\*

Schwinn Air Center Plus Floor Pump with Gauge, Jun. 8, 2017, amazon.ca, Jan. 20, 2022, URL: <https://www.amazon.ca/Schwinn-Center-Floor-Gauge-Orange/dp/B072J8D6GR/> (Year: 2017).\*

\* cited by examiner

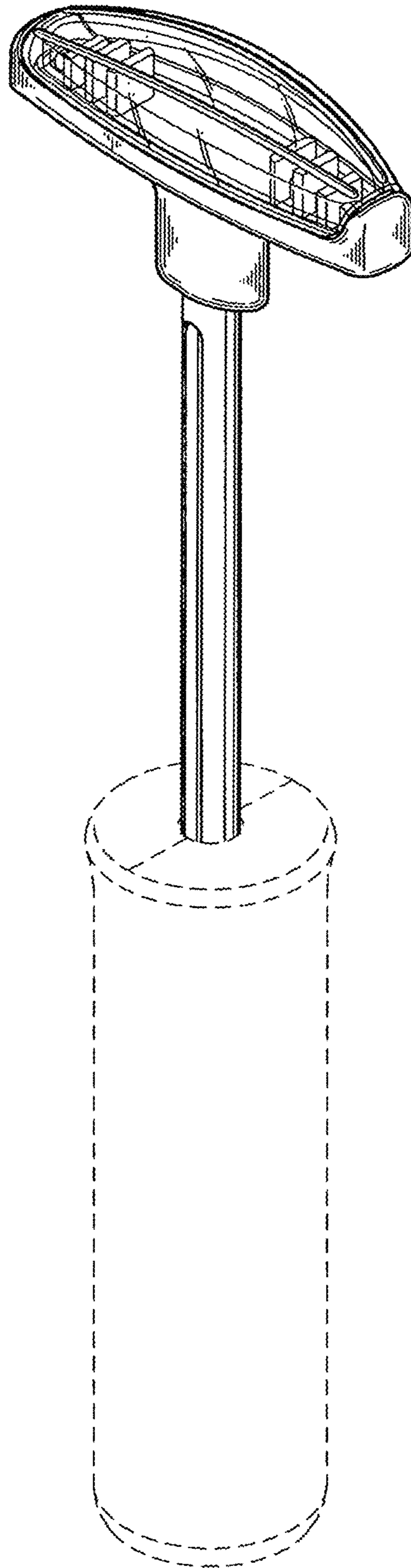


FIG. 1

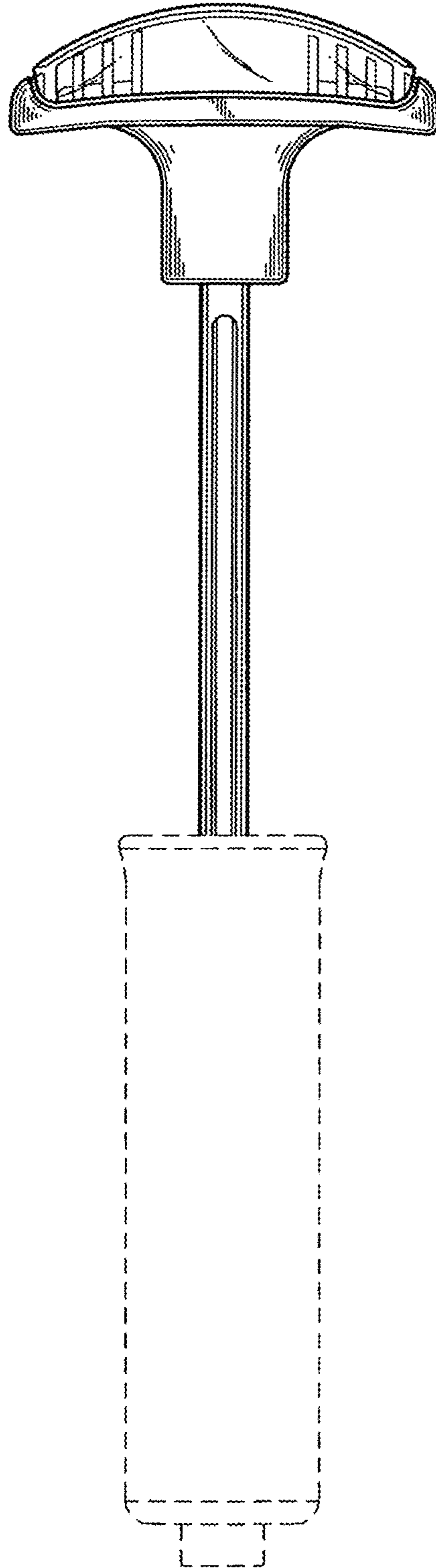


FIG.2

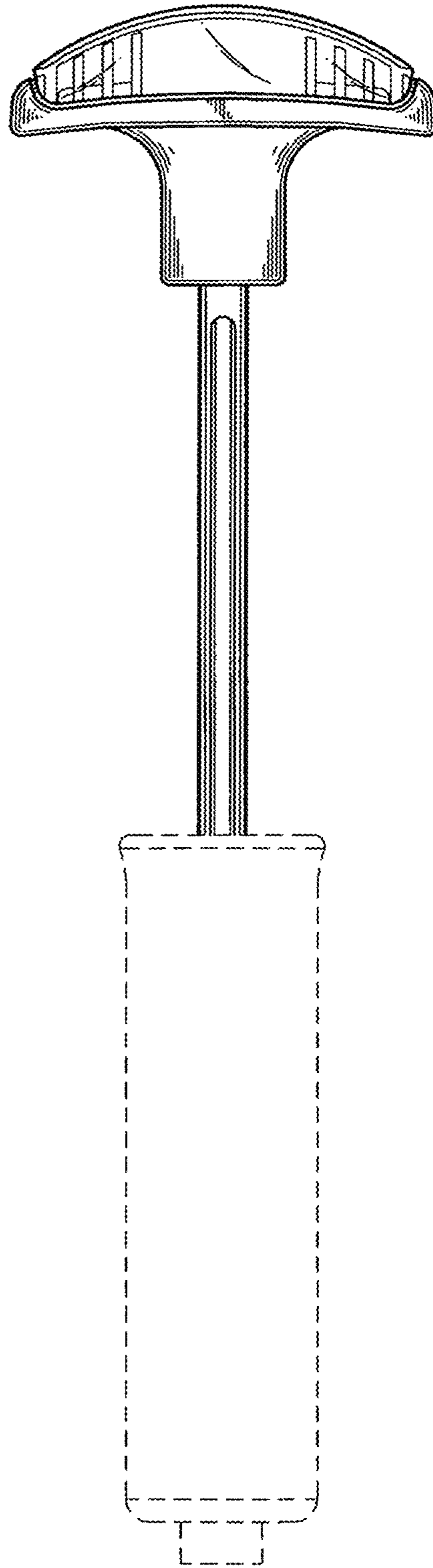


FIG.3

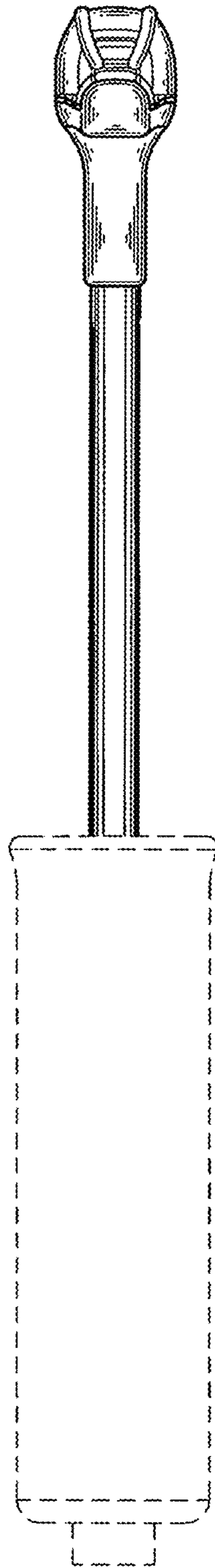


FIG.4

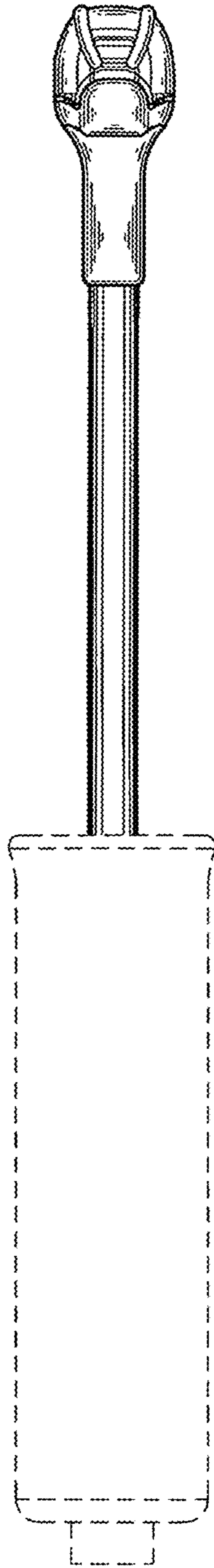


FIG.5

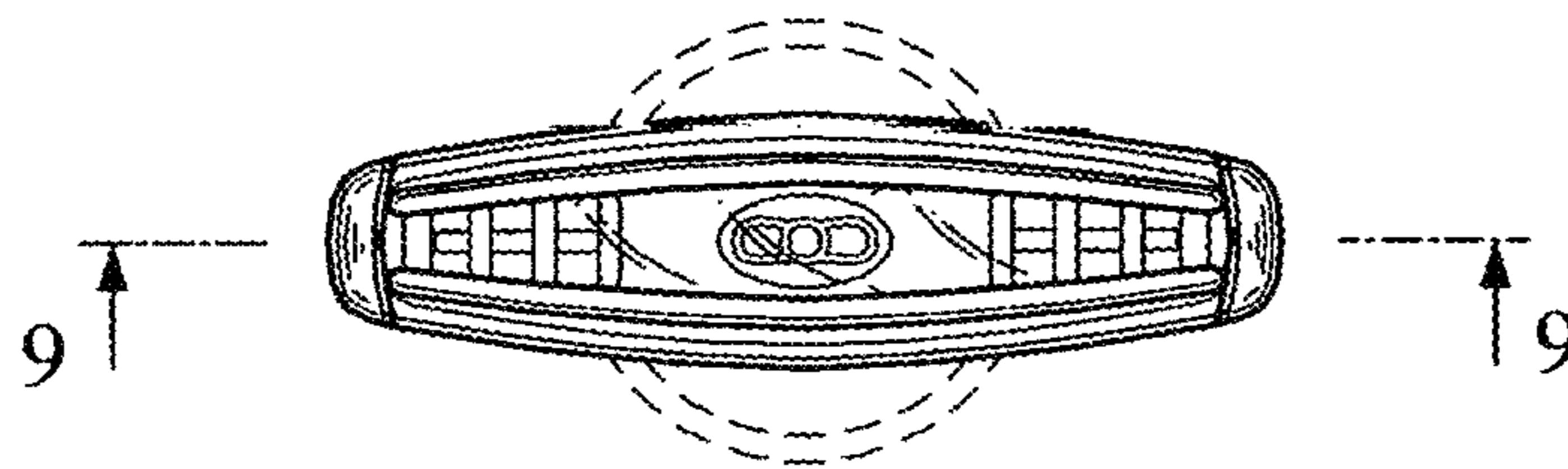


FIG.6



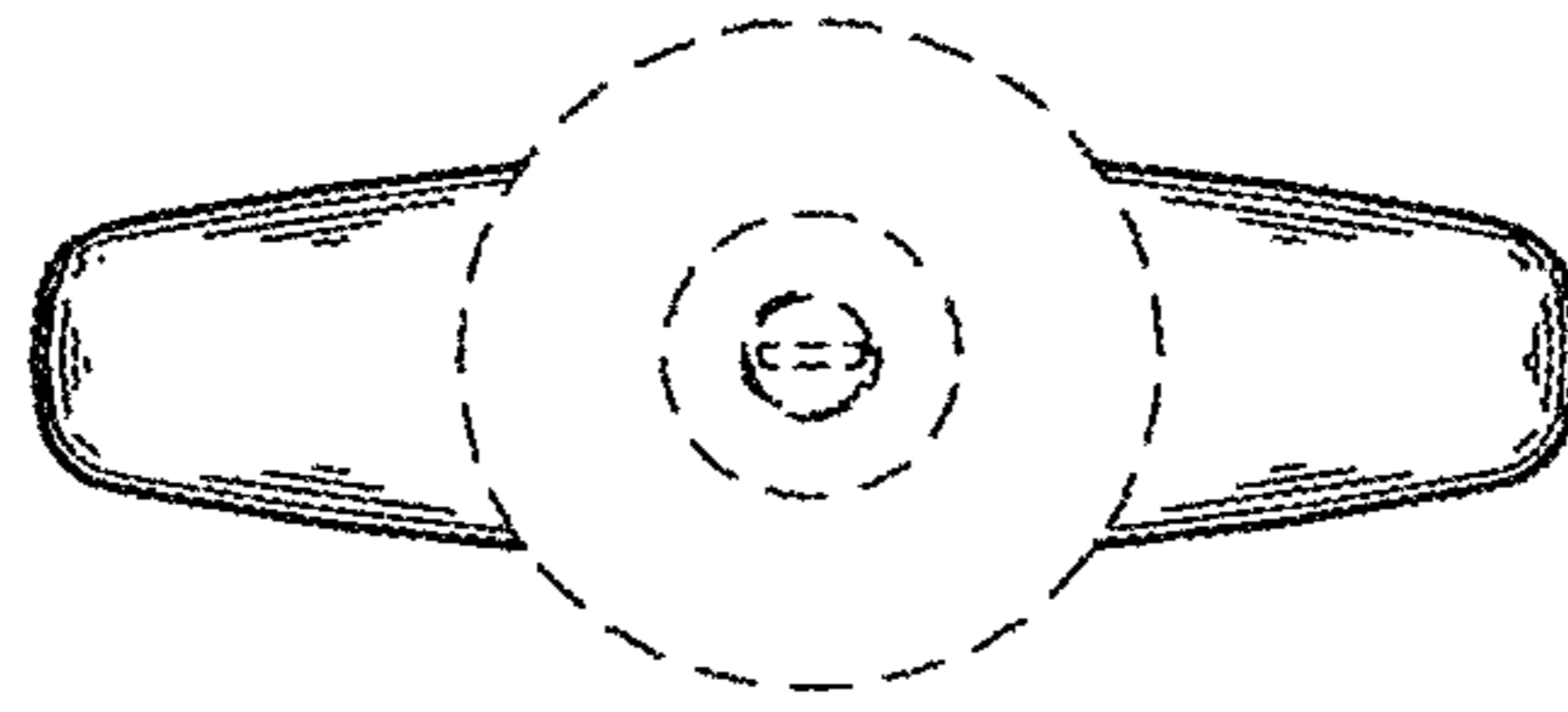


FIG. 7

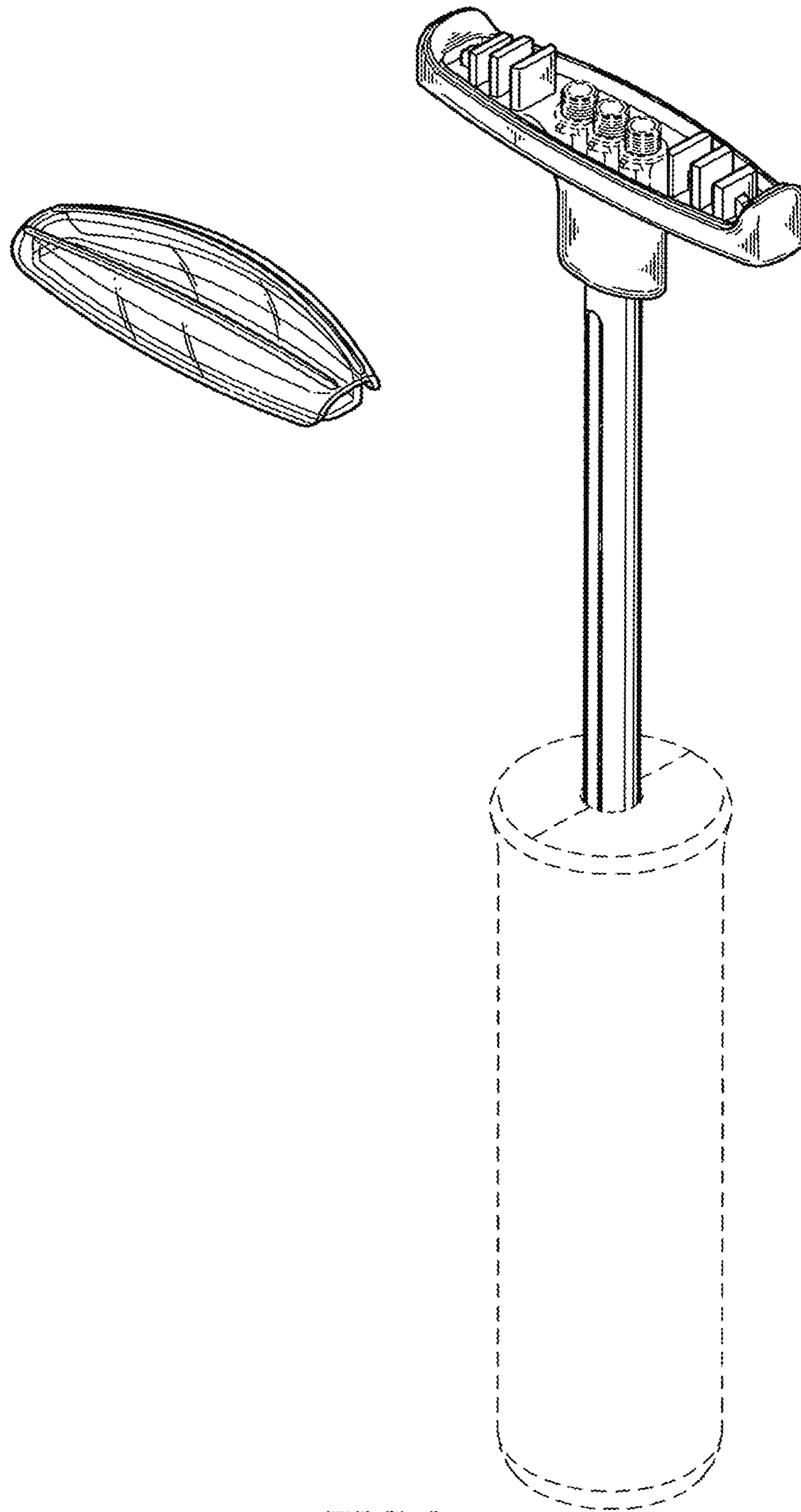


FIG.8

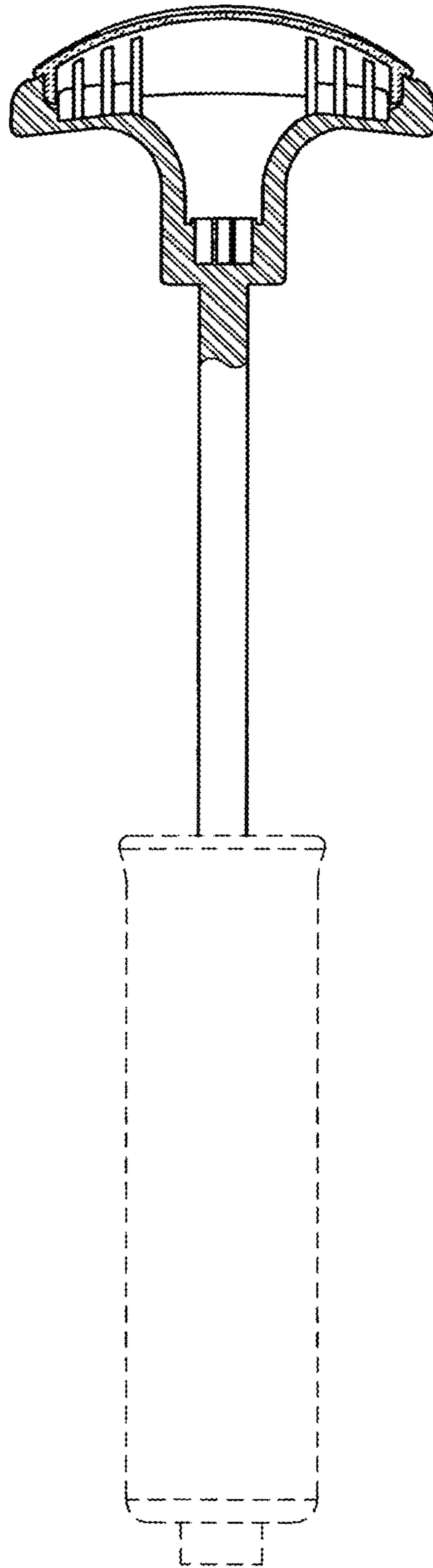


FIG. 9