



US00D959949S

(12) **United States Design Patent** (10) **Patent No.:** **US D959,949 S**
Song (45) **Date of Patent:** **** Aug. 9, 2022**

(54) **CHAMFER PLANE**

OTHER PUBLICATIONS

- (71) Applicant: **JIANGSU OUBO INFORMATION TECHNOLOGY CO., LTD.**, Suzhou (CN)
- (72) Inventor: **Guanyu Song**, Suzhou (CN)
- (73) Assignee: **JIANGSU OUBO INFORMATION TECHNOLOGY CO., LTD.**, Suzhou (CN)
- (*) Notice: Patent file contains an affidavit/declaration under 37 CFR 1.130(b).
- (**) Term: **15 Years**
- (21) Appl. No.: **29/799,484**
- (22) Filed: **Jul. 14, 2021**
- (51) **LOC (13) Cl.** **08-03**
- (52) **U.S. Cl.**
USPC **D8/101**
- (58) **Field of Classification Search**
USPC D8/55, 81, 105
CPC .. B25F 1/006; B25F 1/02; B25F 1/003; B25F 1/04; B27C 1/00
See application file for complete search history.

“Wood Planer Chisel Set Woodworking Hand Tools and Accessories Machinist tools Chamfer Plane Corner Cutter Wood Working Tools Router Equipment Edge Painting Tool for Carpenter Beginners (Black).” Amazon., Jun. 12, 2021 [online], [retrieved on Apr. 13, 2022]. Retrieved from the Internet <URL: https://www.amazon.com/dp/B0974GFW69/ref=sspa_dk_detail_2?spLa=ZW5jcnlwdGVkUXVhbGlmaWVyPUEyQkMwWUYzRIJVVQUUxJmVuY3J5cHRIZEikPUEwMTIzMDU3MzA5RFoyVjlpVUNPTiZlbnNyeXB0ZWRBZEikPUEwNTg2ODc0VUwQVIKSFZVTTY3JndpZGdldE5hbWU9c3BZGV0YWIsMiZhY3Rpb249Y2xpY2tSZWRpcmVjdCZkb05vdExvZ0NsaWNrPXRydWU&th=1>.*

“Onkel.J Chamfer Plane with Backer Woodworking Hand Planer for Quick Edge Planing and radian Corner Plane Trimming.” Amazon., Apr. 27, 2021 [online], [retrieved on Apr. 13, 2022]. Retrieved from the Internet <URL: https://www.amazon.com/dp/B093K6XR9Q/ref=sspa_dk_detail_3?pd_rd_i=B093K6XR9Q&pd_rd_w=jZuOY&pf_rd_p=0c758152-61cd-452f-97a6-17f070f654b8&pd_rd_wg=aOzFL&pf_rd_r=CSDSAJG724S69WTHHFV5&pd_rd_r=9d2755fa-b798-4cf-a43d-cf40ce4df82d&s=hi&spLa=ZW5jcnlwdGVkUXVhbGlmaWVyPUEyVkJNMTH1VU5GNjdNjMmVuY3J5cHRIZEikPUEwOTc1OTcxM01aOEEdOSEFHrdVtMCZlbnNyeXB0ZWRBZEikPUEwNDkxODY2M0ZJTkVOODY2M0U5QyZ3aWRnZXROYW1IPXNwX2RldGFpbCZlY3Rpb249Y2xpY2tSZWRpcmVjdCZkb05vdExvZ0NsaWNrPXRydWU&th=1>.*

* cited by examiner

Primary Examiner — Darlington Ly

(56) **References Cited**

U.S. PATENT DOCUMENTS

D258,261	S	*	2/1981	Hayes	D8/90
D277,641	S	*	2/1985	Hayes	D8/101
D281,857	S	*	12/1985	Groves	D8/90
5,383,275	A	*	1/1995	Hild	B23Q 11/0042
						30/477
6,249,982	B1	*	6/2001	Zaiser	B27G 13/04
						144/241
D460,440	S	*	7/2002	Sanders	D14/222
D592,025	S		5/2009	Snowball		
D836,688	S	*	12/2018	Chang	D15/141
D870,574	S	*	12/2019	O’Halloran	D10/65
D883,064	S	*	5/2020	Aninion	D8/98
D943,383	S	*	2/2022	Xu	D8/101
2008/0314477	A1	*	12/2008	Nicolson	B27G 21/00
						144/117.4

(57) **CLAIM**

The ornamental design for a chamfer plane, as shown and described.

DESCRIPTION

FIG. 1 is a perspective view of a chamfer plane showing my new design;
 FIG. 2 is another perspective view thereof;
 FIG. 3 is a front elevational view thereof;
 FIG. 4 is a rear elevational view thereof;
 FIG. 5 is a left side elevational view thereof;
 FIG. 6 is a right side elevational view thereof;
 FIG. 7 is a top plan view thereof;

(Continued)

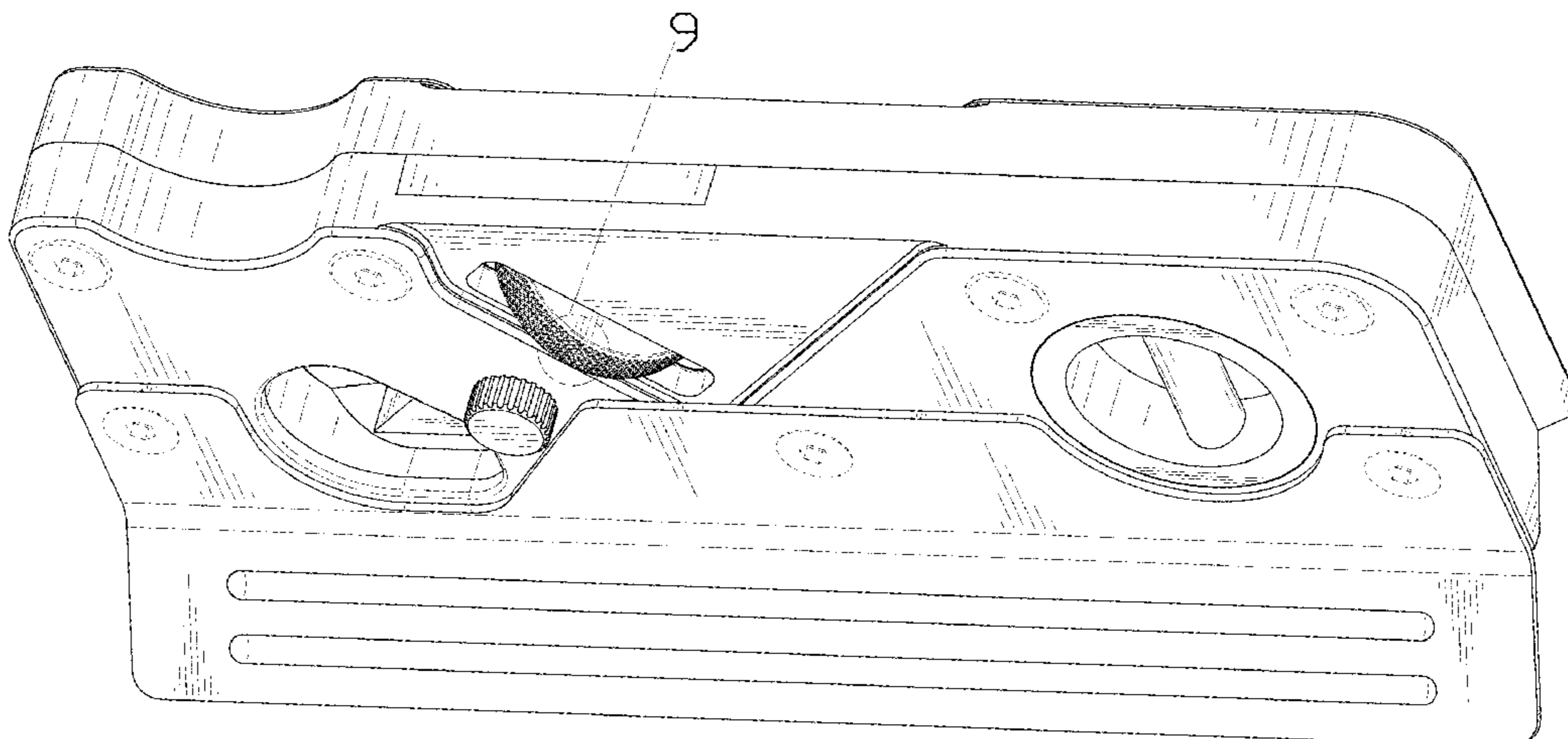


FIG. 8 is a bottom plan view thereof; and,
FIG. 9 is an enlarged view of portion 9 shown in FIG. 1.
The broken lines in the drawings depict portions of the
chamfer plane that form no part of the claimed design.

1 Claim, 9 Drawing Sheets

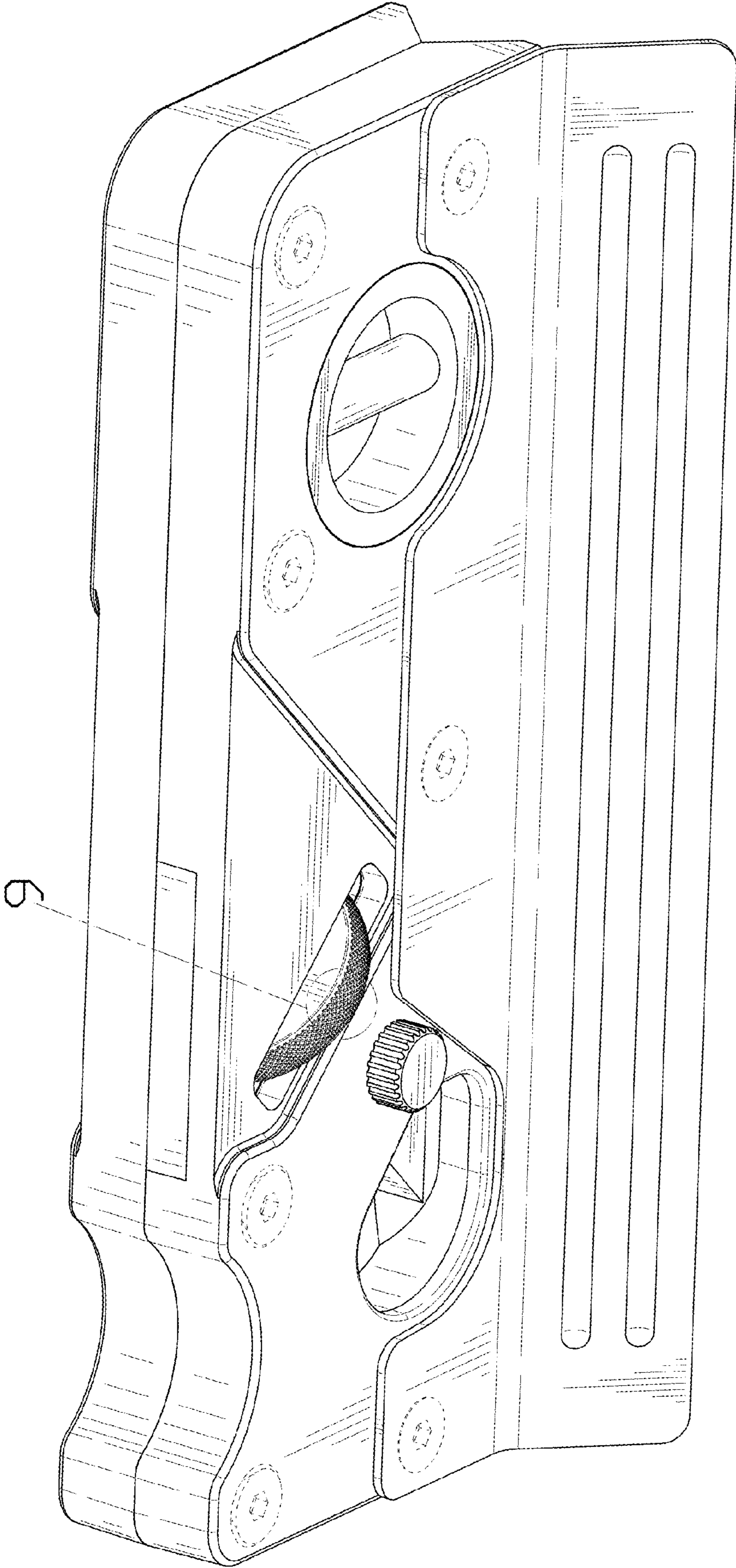


FIG. 1

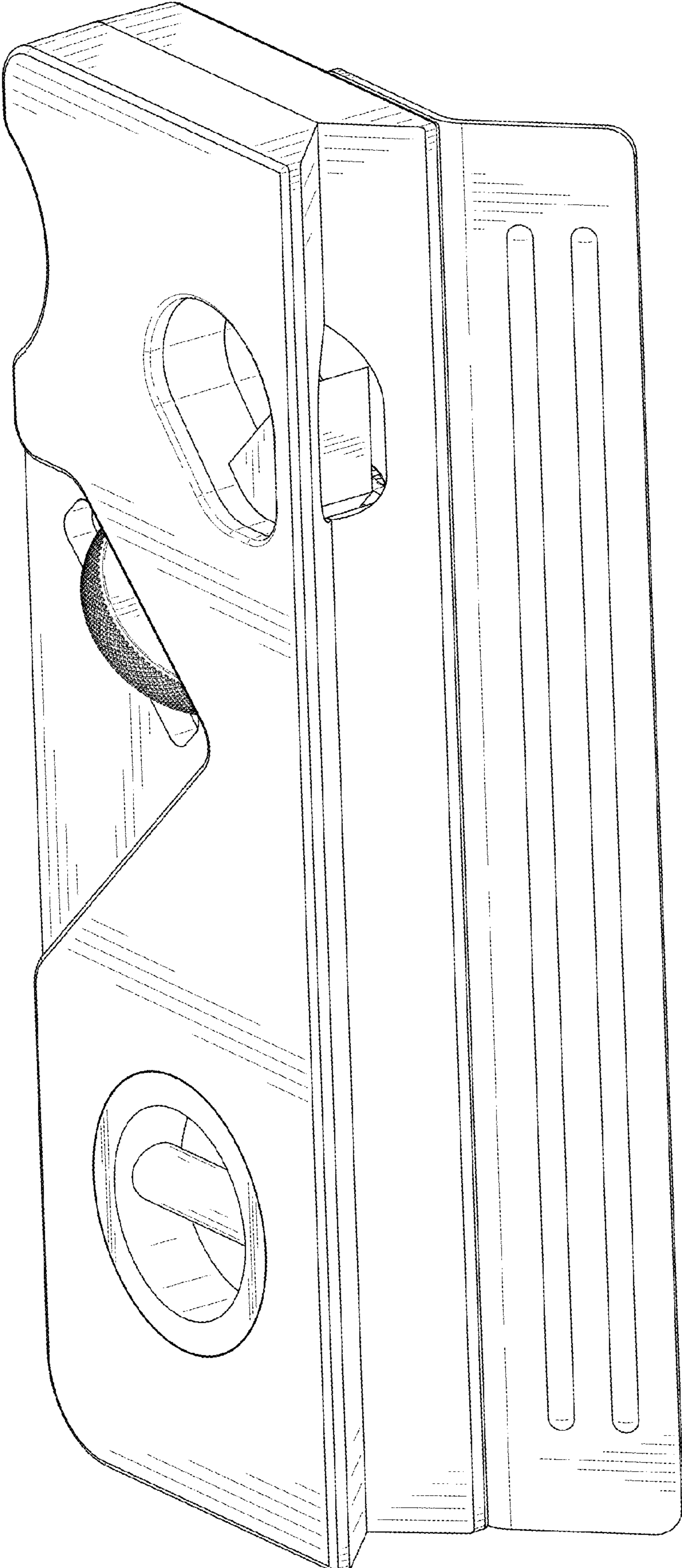


FIG. 2

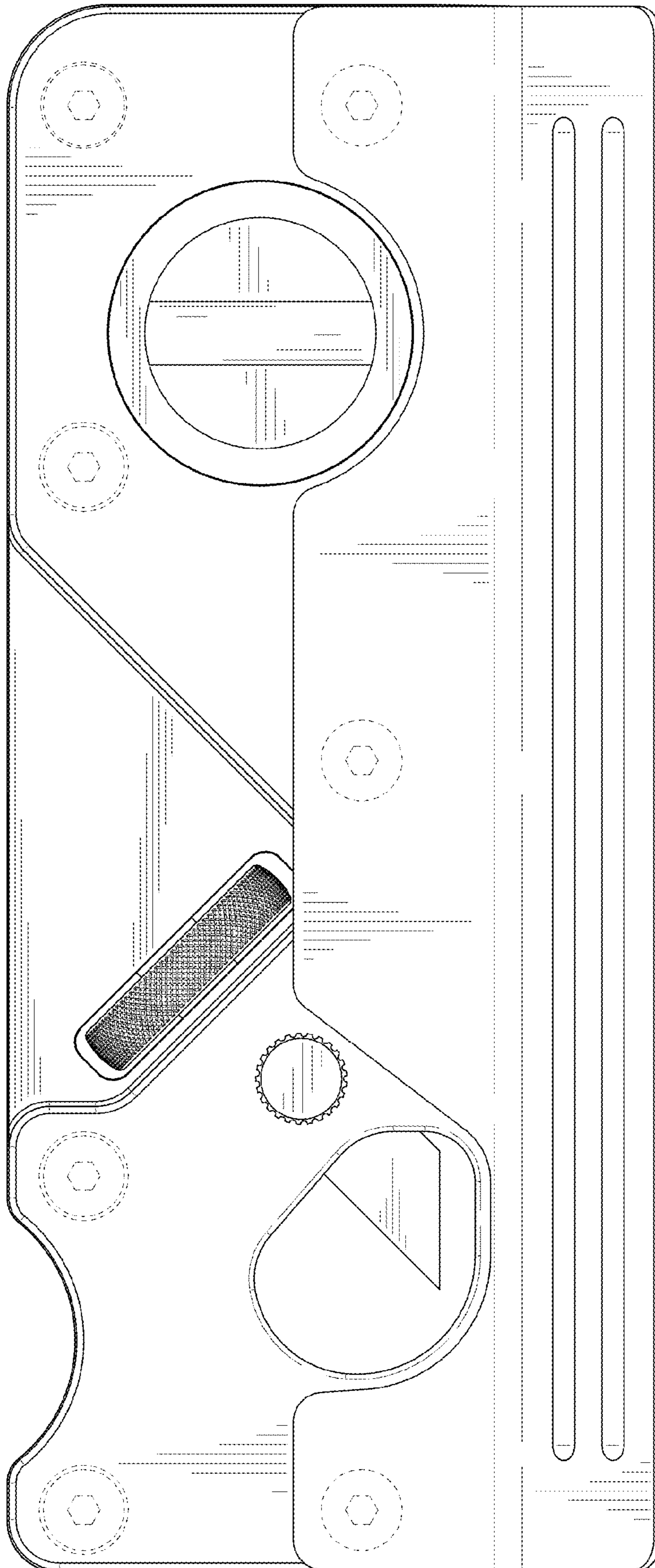


FIG. 3

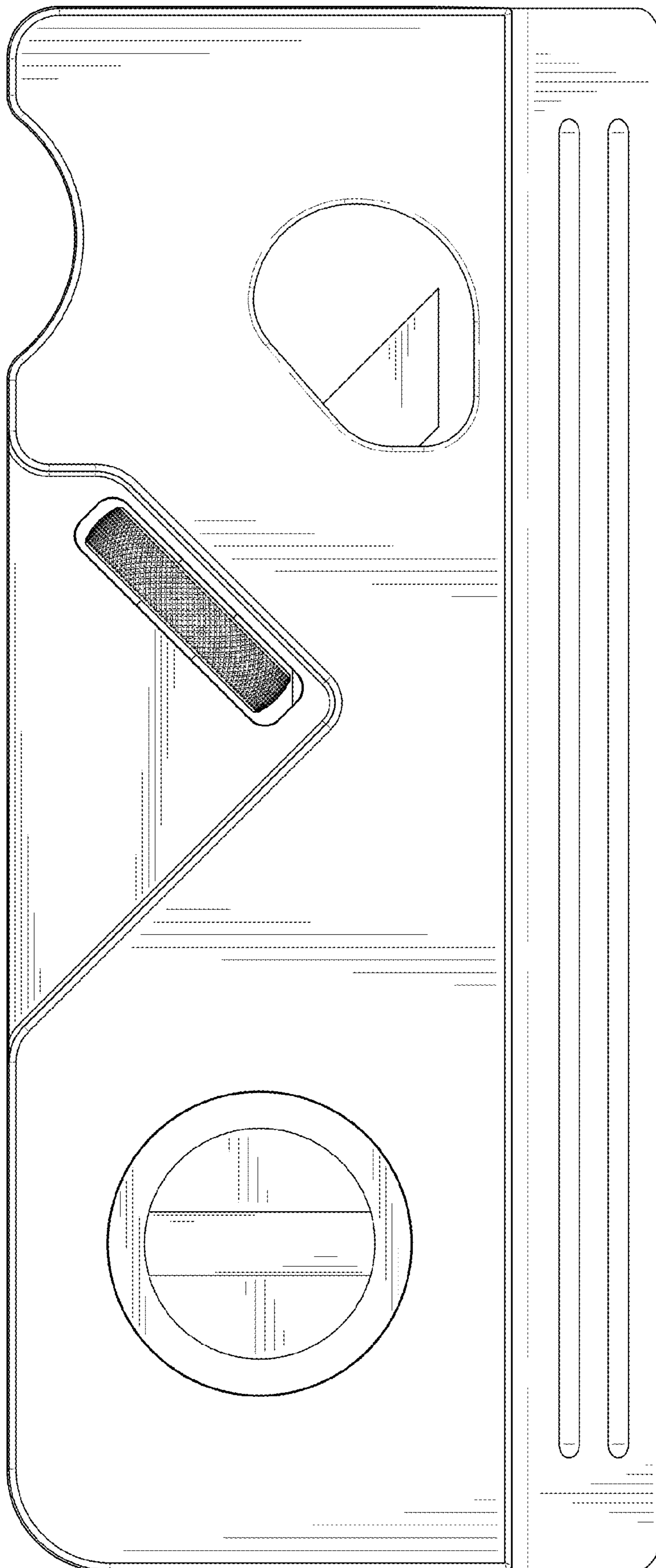


FIG. 4

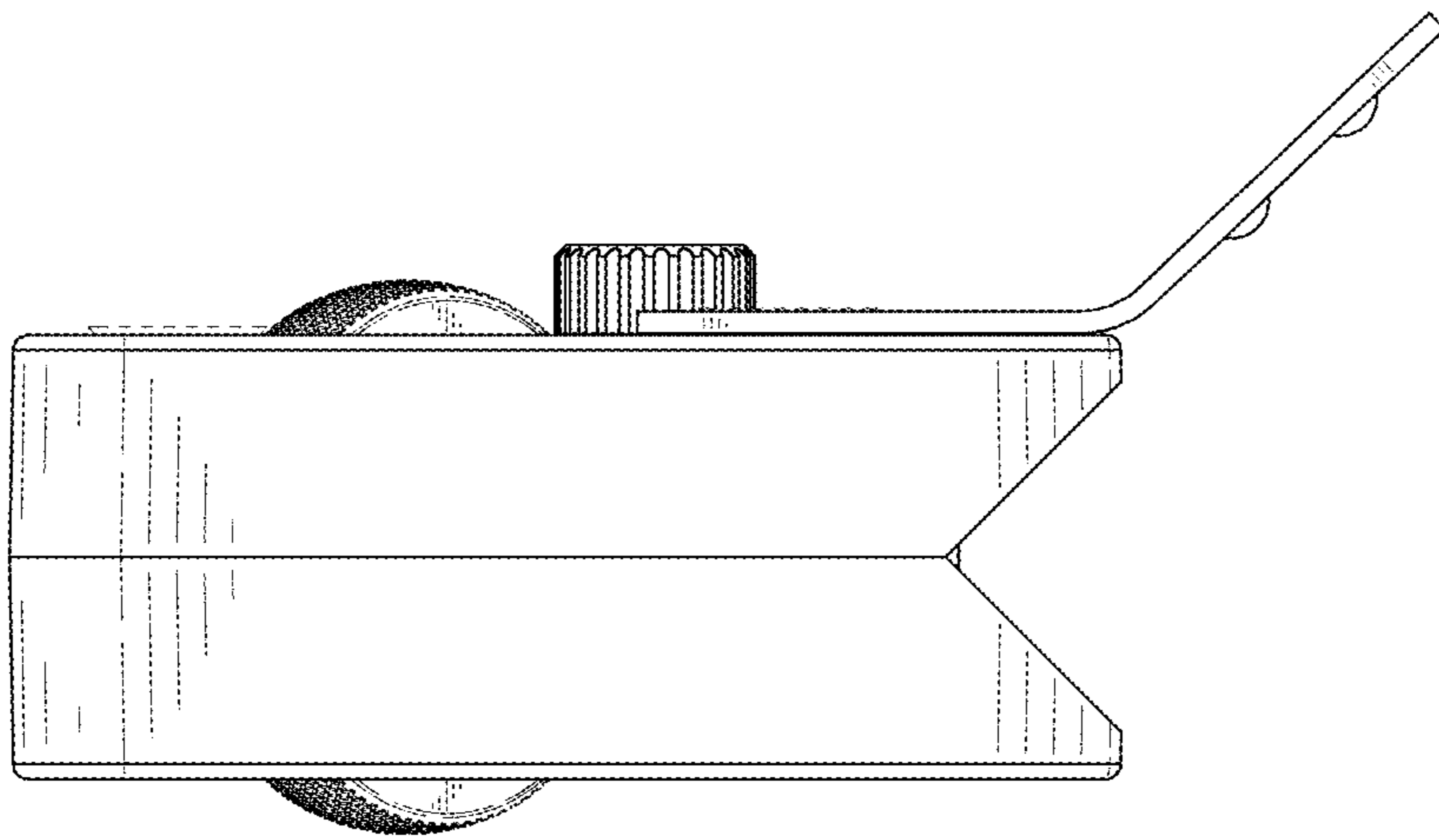


FIG. 5

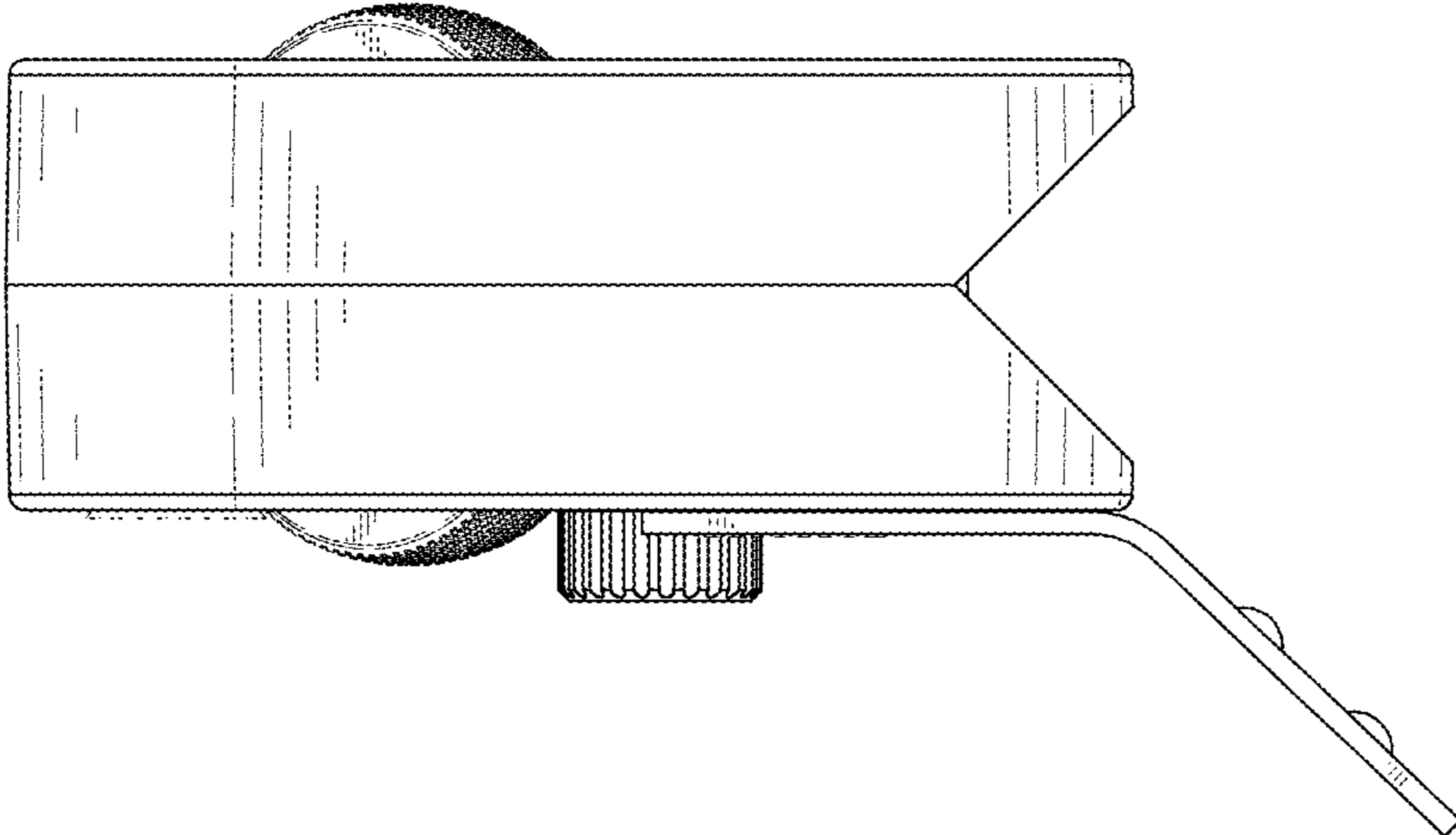


FIG. 6

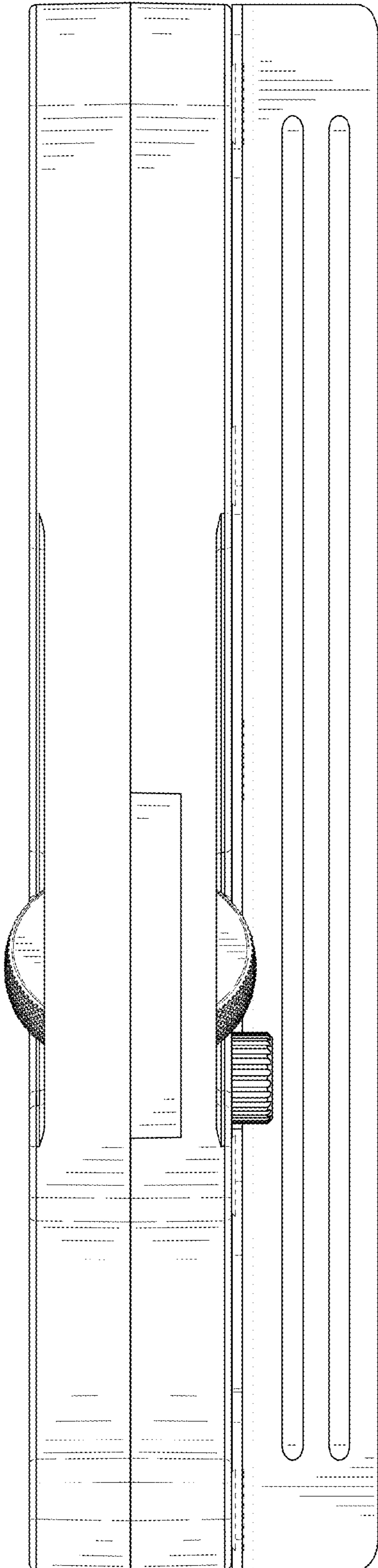


FIG. 7

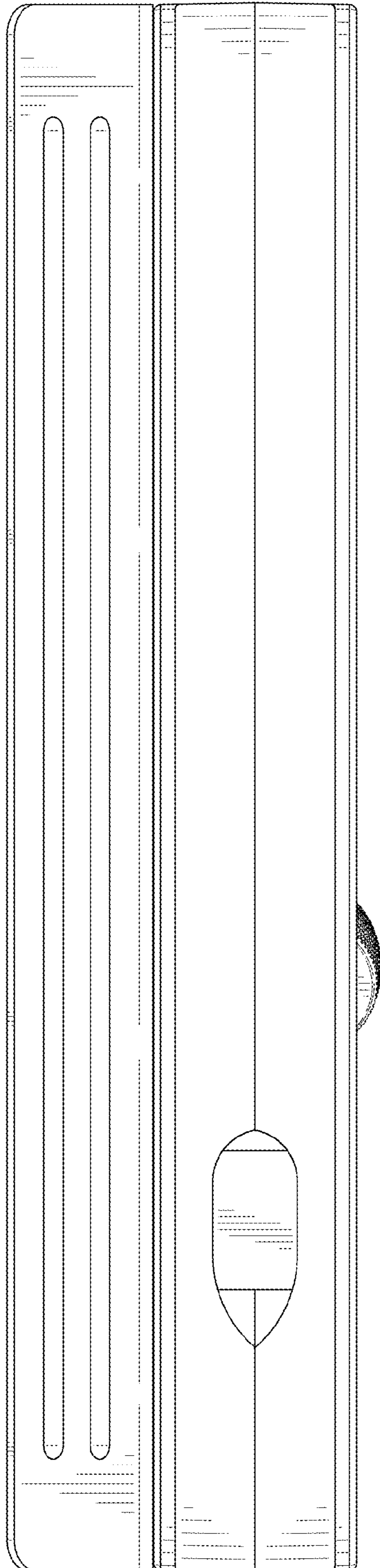


FIG. 8

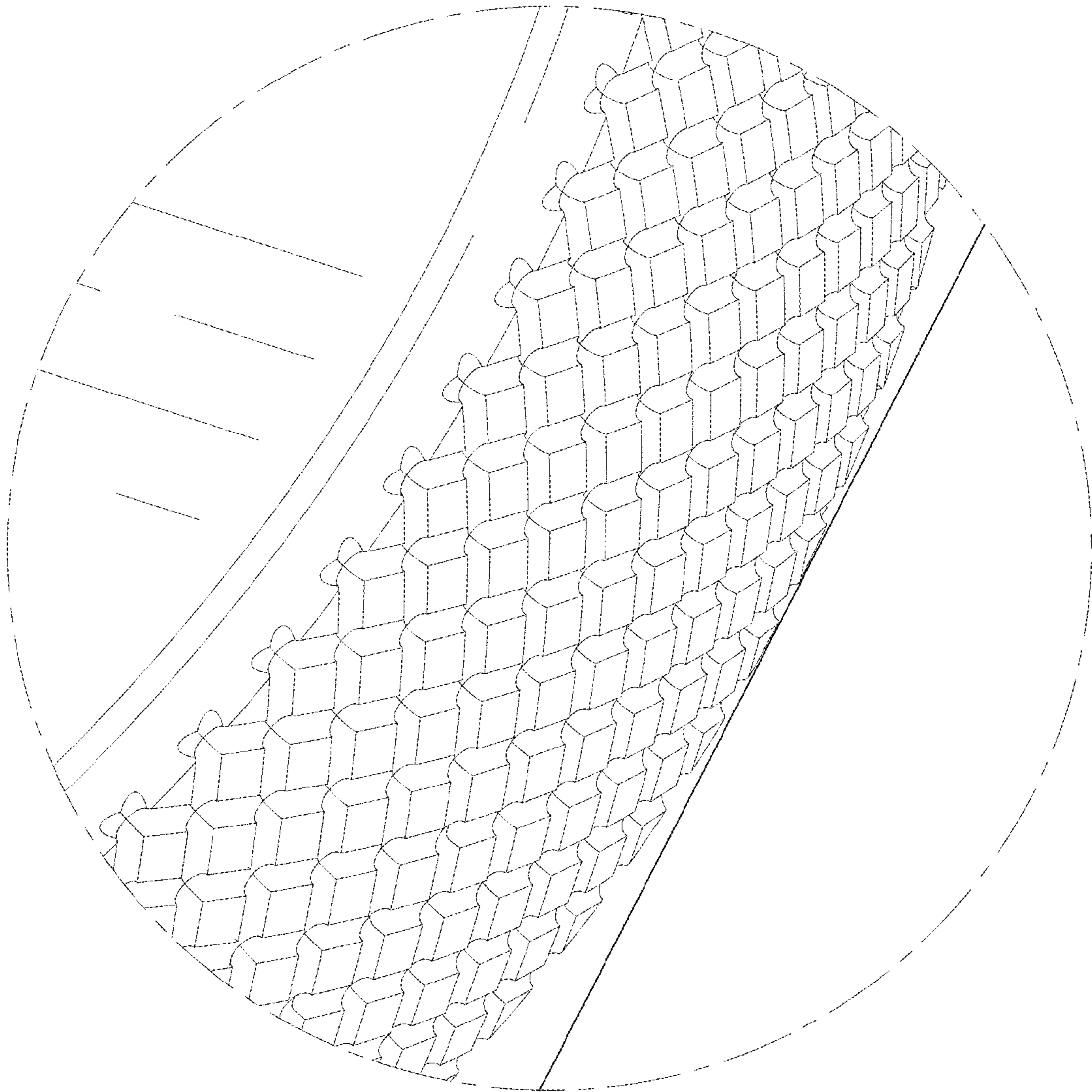


FIG. 9