



US00D959948S

(12) **United States Design Patent** (10) **Patent No.:** **US D959,948 S**
Scimone et al. (45) **Date of Patent:** **** Aug. 9, 2022**

(54) **FOLDING KNIFE**

(71) Applicant: **SLICE, INC.**, San Jose, CA (US)

(72) Inventors: **Thomas Scimone**, San Jose, CA (US);
Scot Herbst, Santa Cruz, CA (US)

(73) Assignee: **Slice, Inc.**, Sunny Isles, FL (US)

(**) Term: **15 Years**

(21) Appl. No.: **29/756,658**

(22) Filed: **Oct. 29, 2020**

(51) **LOC (13) Cl.** **08-03**

(52) **U.S. Cl.**
USPC **D8/99**

(58) **Field of Classification Search**

USPC D8/98, 99, 107, 14, 20; D22/118

CPC B26B 5/001; B26B 5/003; B26B 11/00;

B26B 1/08; B26B 1/02; B26B 1/10;

B26B 1/04; B26B 1/046; B26B 1/048;

B26B 1/042

See application file for complete search history.

(56) **References Cited**

U.S. PATENT DOCUMENTS

6,354,007 B1 * 3/2002 Scarla B26B 1/02
30/156

D494,437 S * 8/2004 Scarla D8/99

D591,135 S * 4/2009 Wu D8/99

7,552,537 B2 * 6/2009 Ye B26B 1/042
30/155

7,797,825 B2 * 9/2010 Say G01N 27/3272
29/846

(Continued)

Primary Examiner — Philip S Hyder

(74) *Attorney, Agent, or Firm* — Ellenoff Grossman &
Schole LLP; James M. Smedley; Alex Korona

(57) **CLAIM**

We claim the ornamental design for a folding knife, as shown and described.

DESCRIPTION

FIG. 1 is a top, right side perspective view of the folding knife in an unfolded position.

FIG. 2 is a top, left side perspective view of the folding knife in an unfolded position.

FIG. 3 is a right side view of the folding knife in an unfolded position.

FIG. 4 is a left side view of the folding knife in an unfolded position.

FIG. 5 is a top view of the folding knife in an unfolded position.

FIG. 6 is a bottom view of the folding knife in an unfolded position.

FIG. 7 is a front view of the folding knife in an unfolded position.

FIG. 8 is a rear view of the folding knife in an unfolded position.

FIG. 9 is a top, right side perspective view of the folding knife in a folded position.

FIG. 10 is a left side view of the folding knife in a folded position.

FIG. 11 is a right side view of the folding knife in a folded position.

FIG. 12 is a bottom view of the folding knife in a folded position.

FIG. 13 is a top view of the folding knife in a folded position.

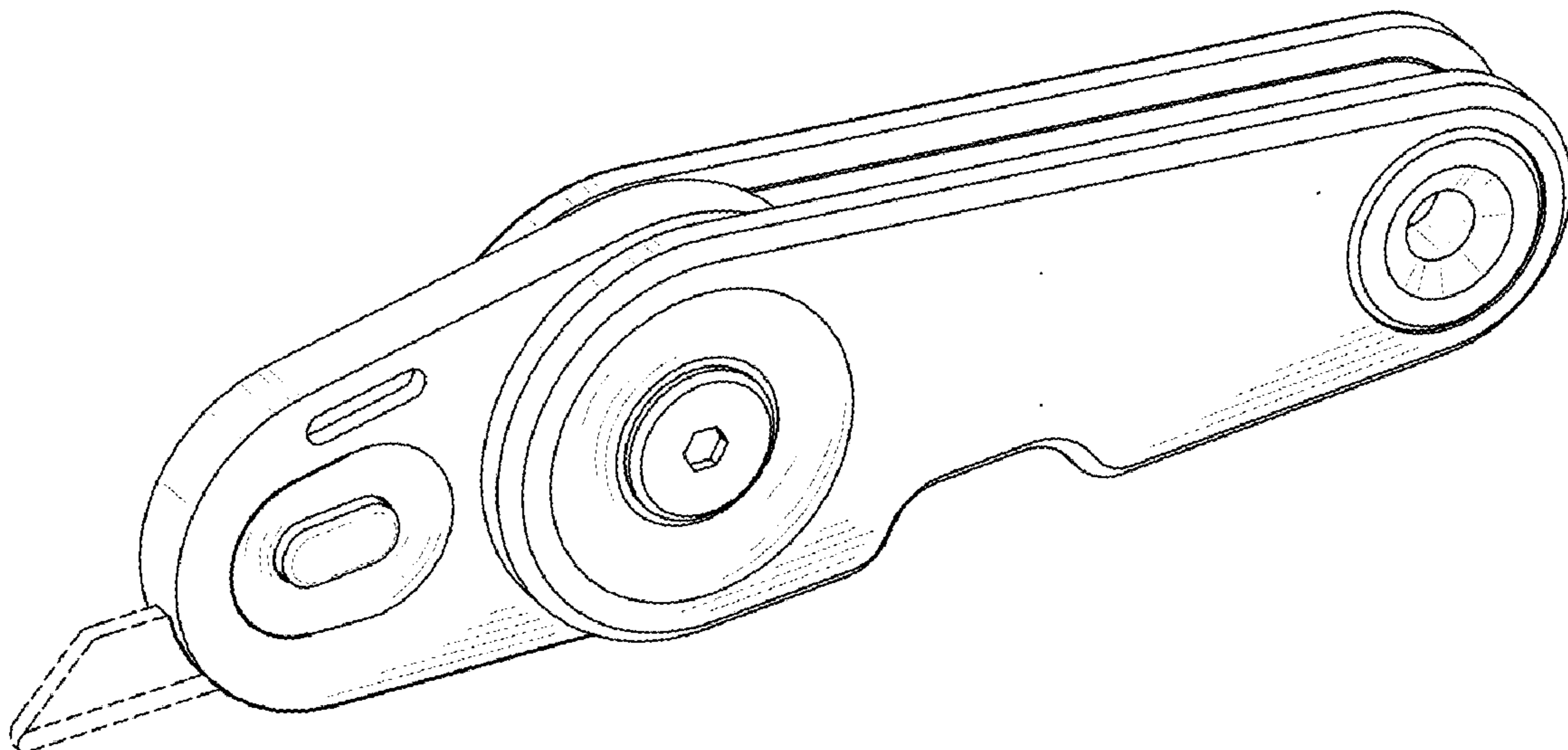
FIG. 14 is a rear view of the folding knife in a folded position; and,

FIG. 15 is a front view of the folding knife in a folded position.

The shading lines shown in the drawings represent the approximate three-dimensional contour of the design, and are not intended to indicate surface decoration.

The broken line showings of the blade are provided for purposes of environment and form no part of the claimed design.

1 Claim, 4 Drawing Sheets



(56)

References Cited

U.S. PATENT DOCUMENTS

8,006,389 B2 * 8/2011 Jennings B26B 5/003
30/162
D699,090 S * 2/2014 Kalajyan D8/99
D920,762 S * 6/2021 Scimone D8/99
D938,252 S * 12/2021 Medhurst D8/99
2006/0272157 A1 * 12/2006 Zeng B26B 1/048
30/161
2018/0290313 A1 * 10/2018 Scimone B26B 1/042
2021/0354318 A1 * 11/2021 Scimone B26B 1/04

* cited by examiner

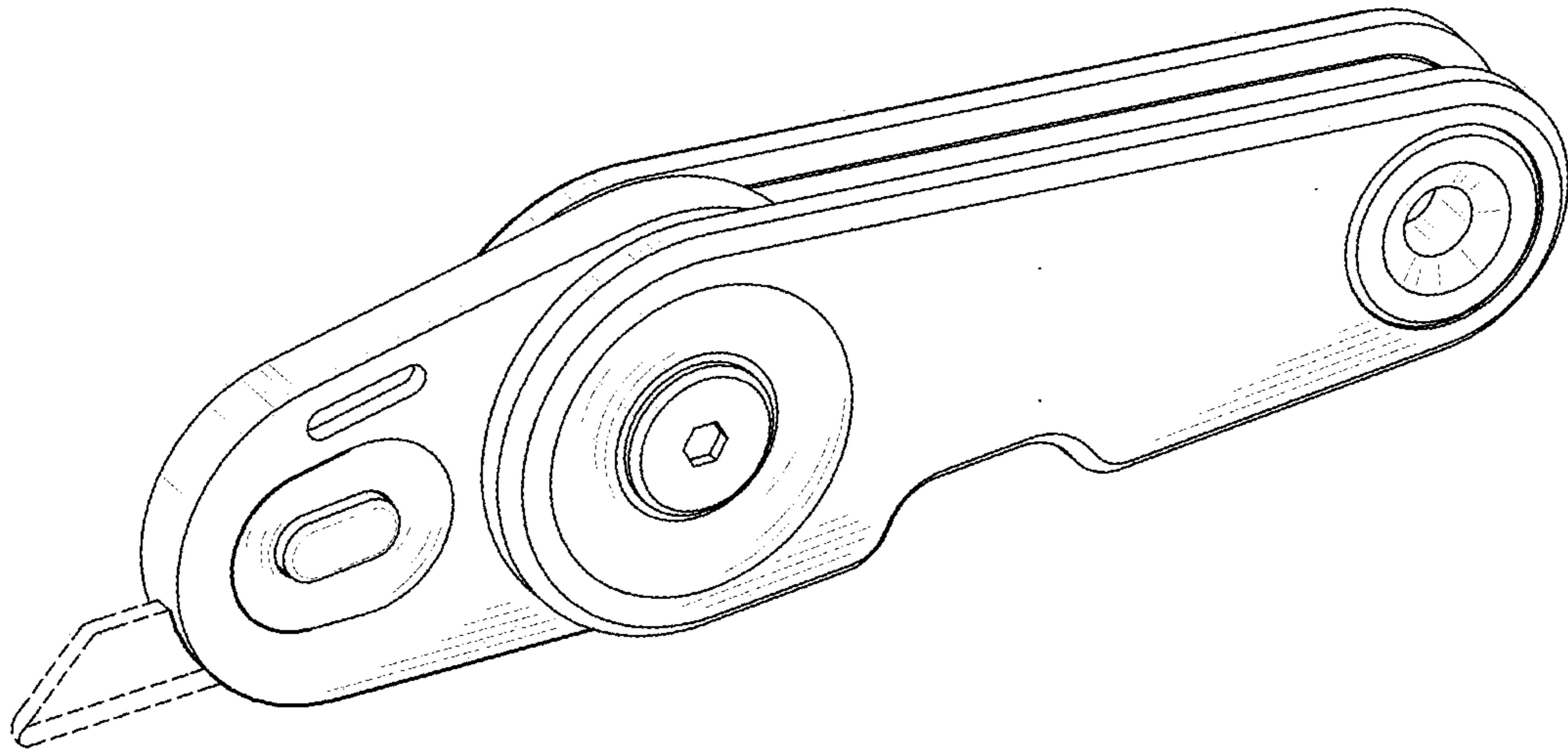


FIG. 1

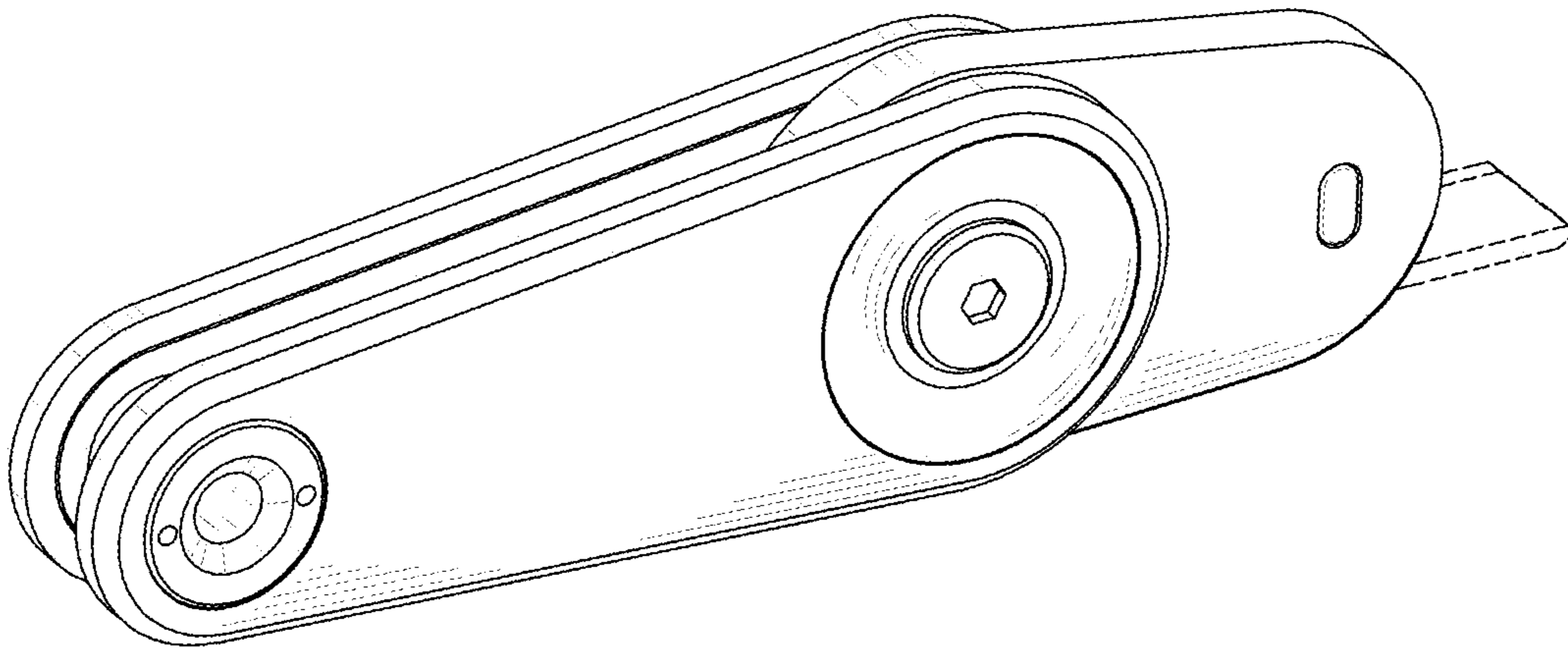


FIG. 2

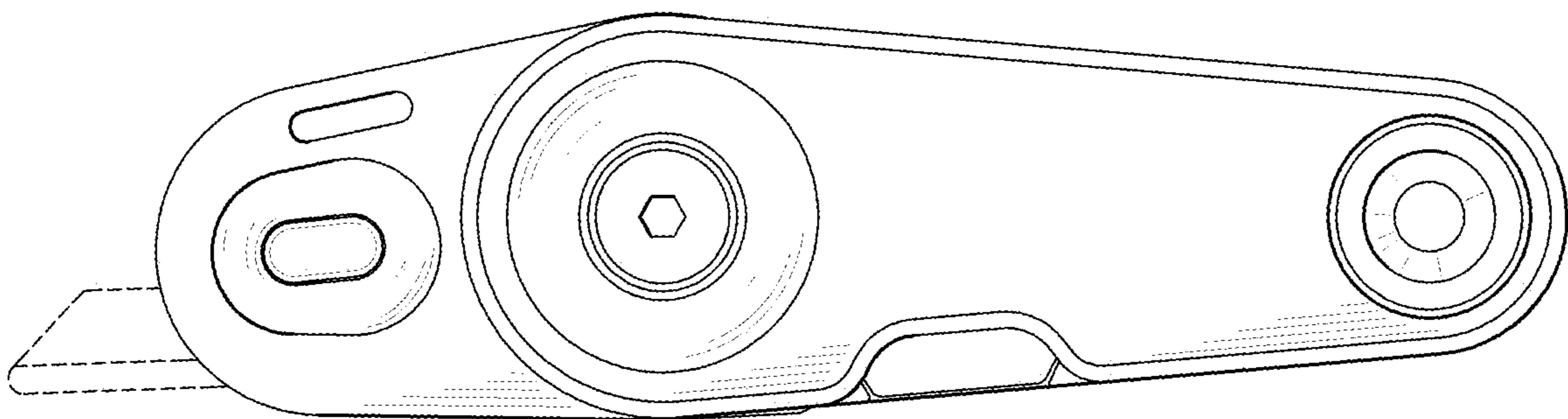


FIG. 3

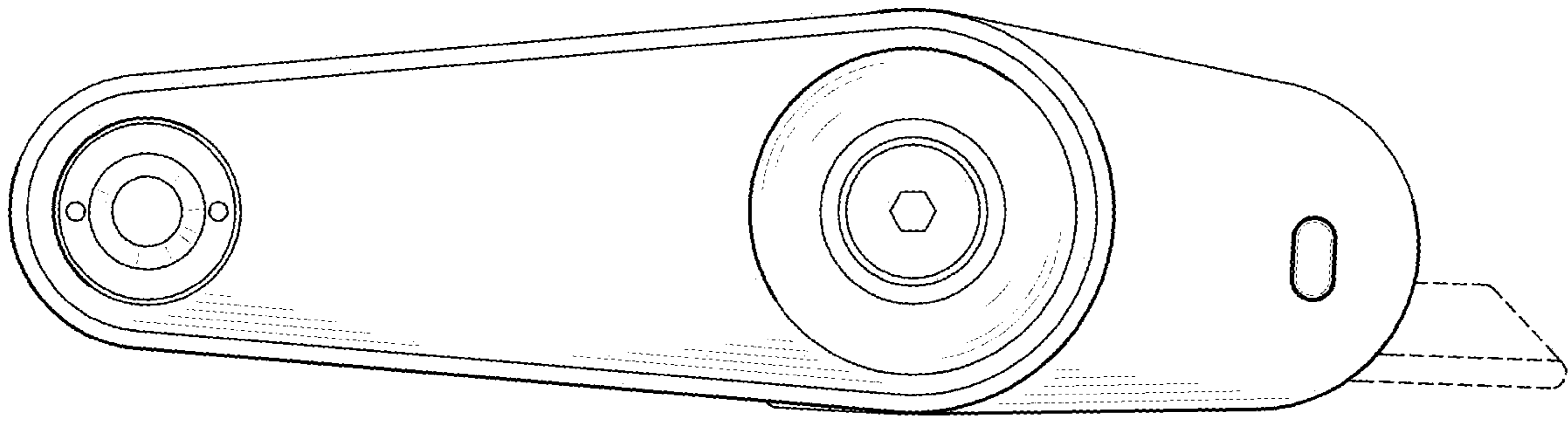


FIG. 4

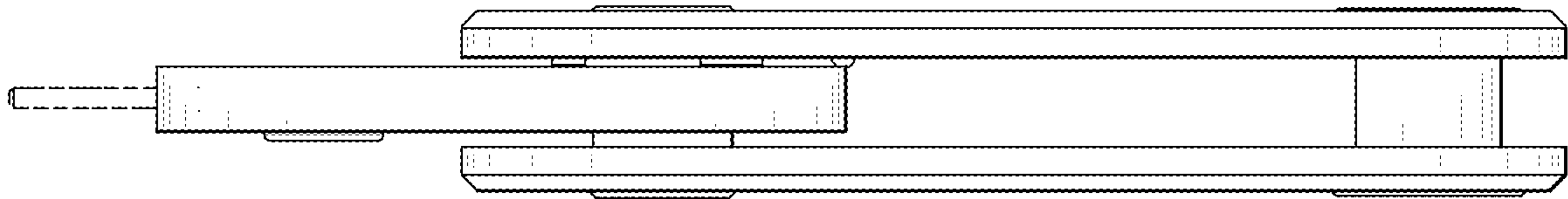


FIG. 5

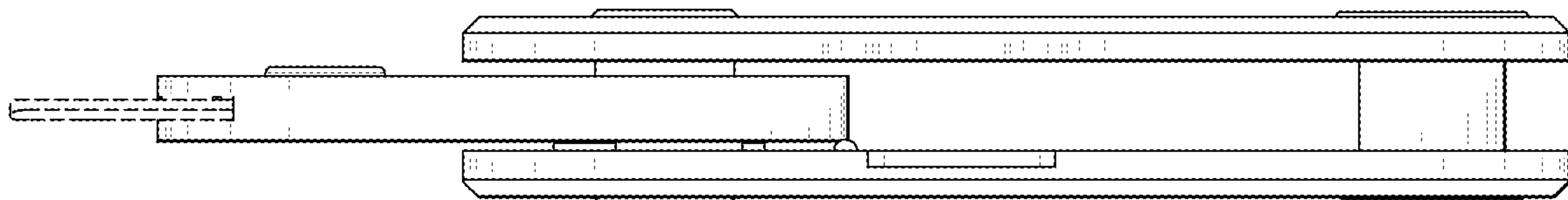


FIG. 6

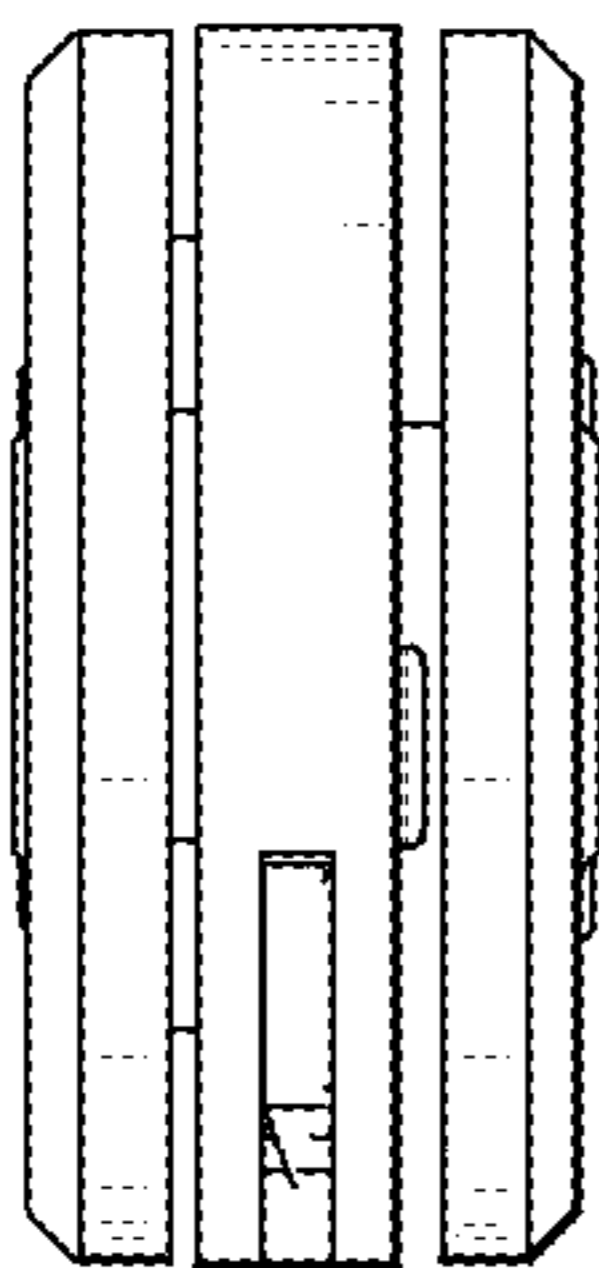


FIG. 7

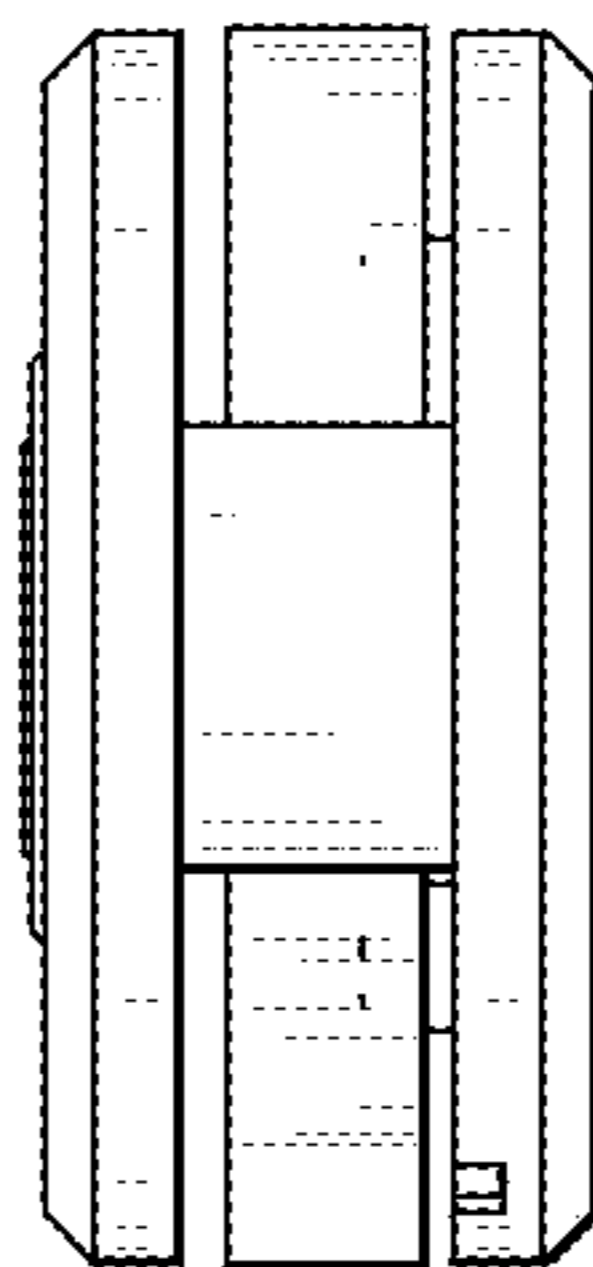


FIG. 8

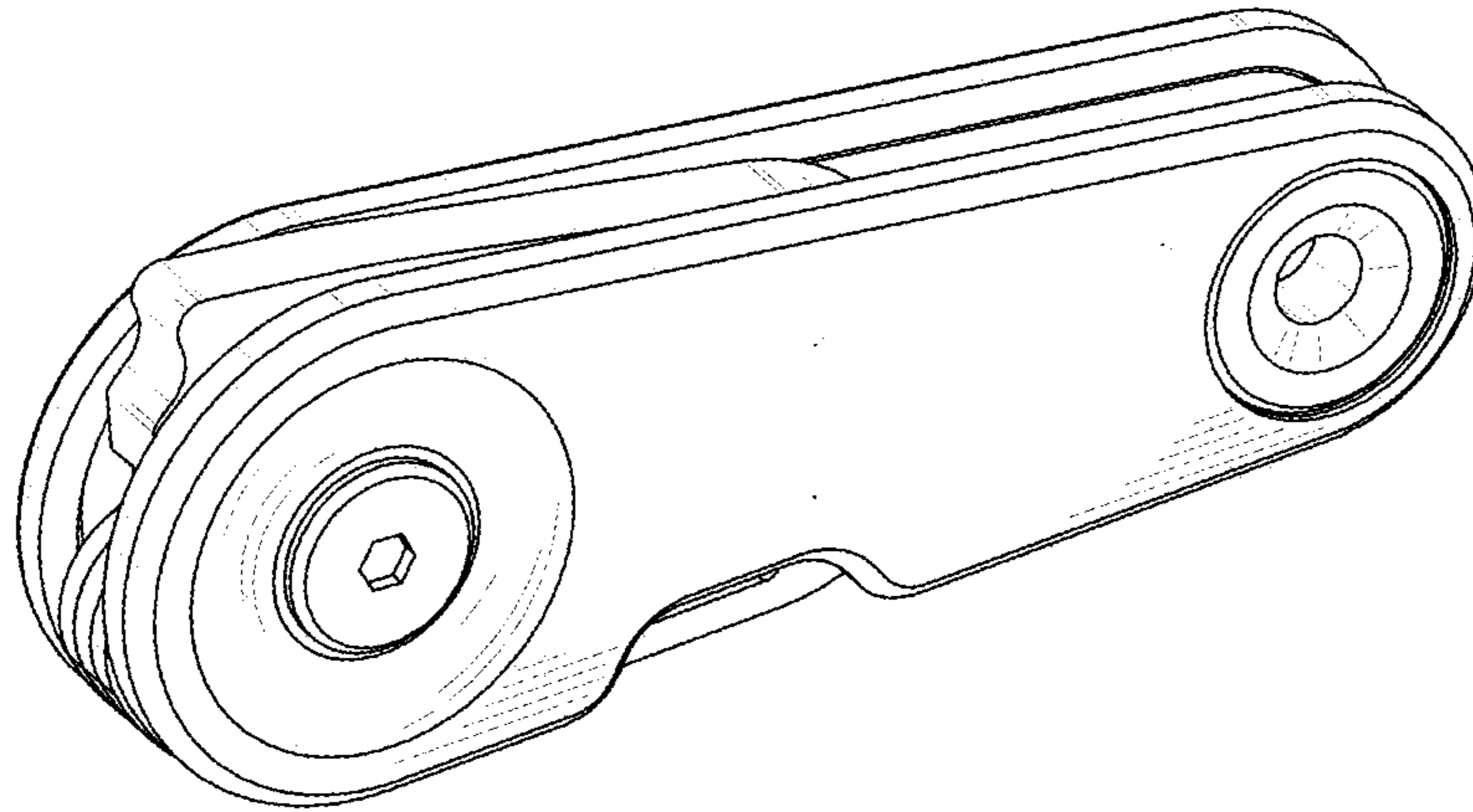


FIG. 9

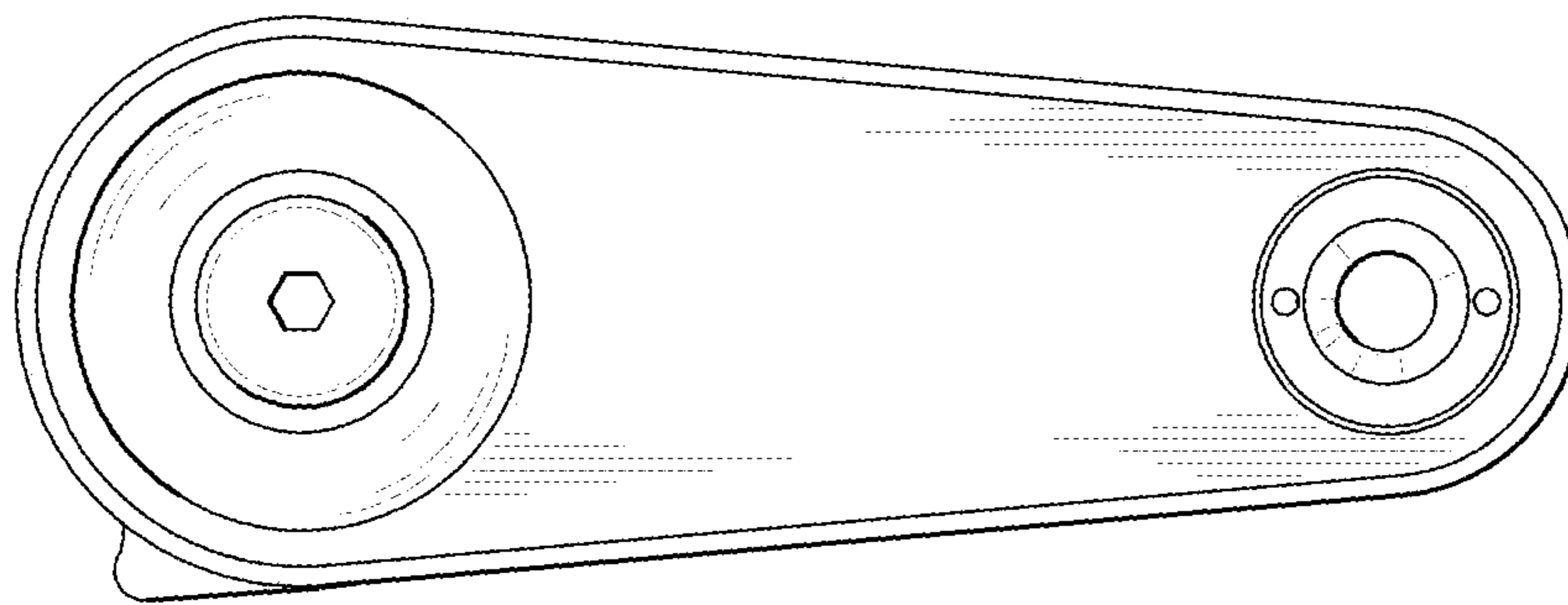


FIG. 10

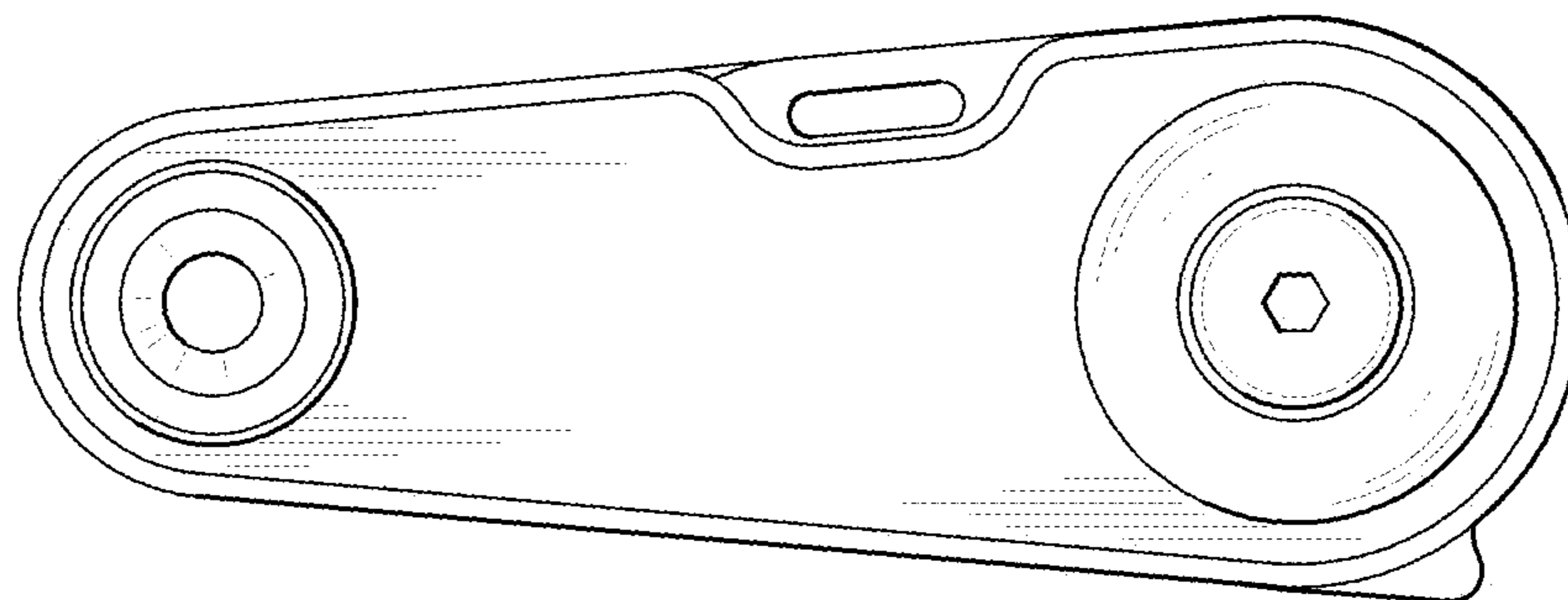


FIG. 11

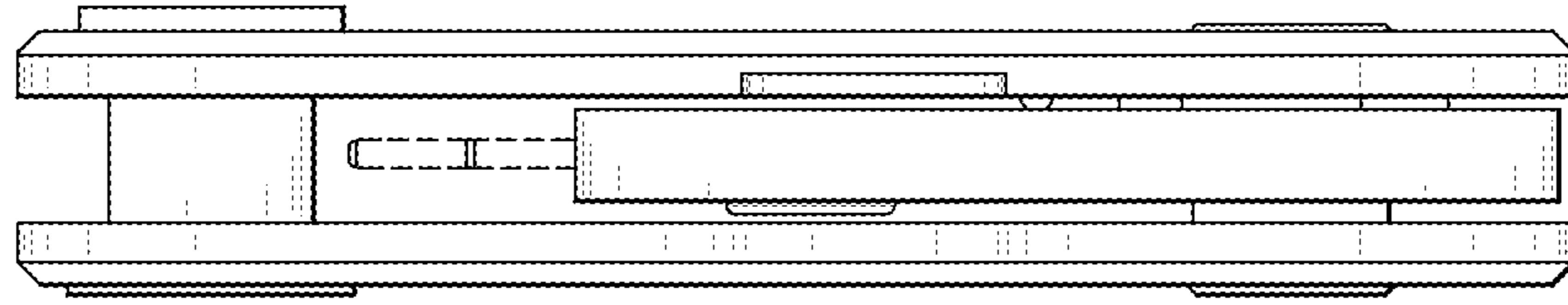


FIG. 12

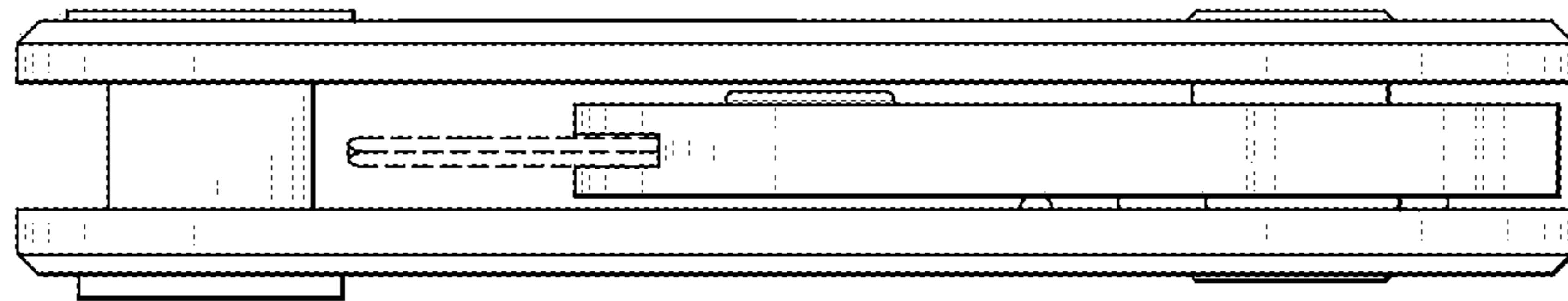


FIG. 13

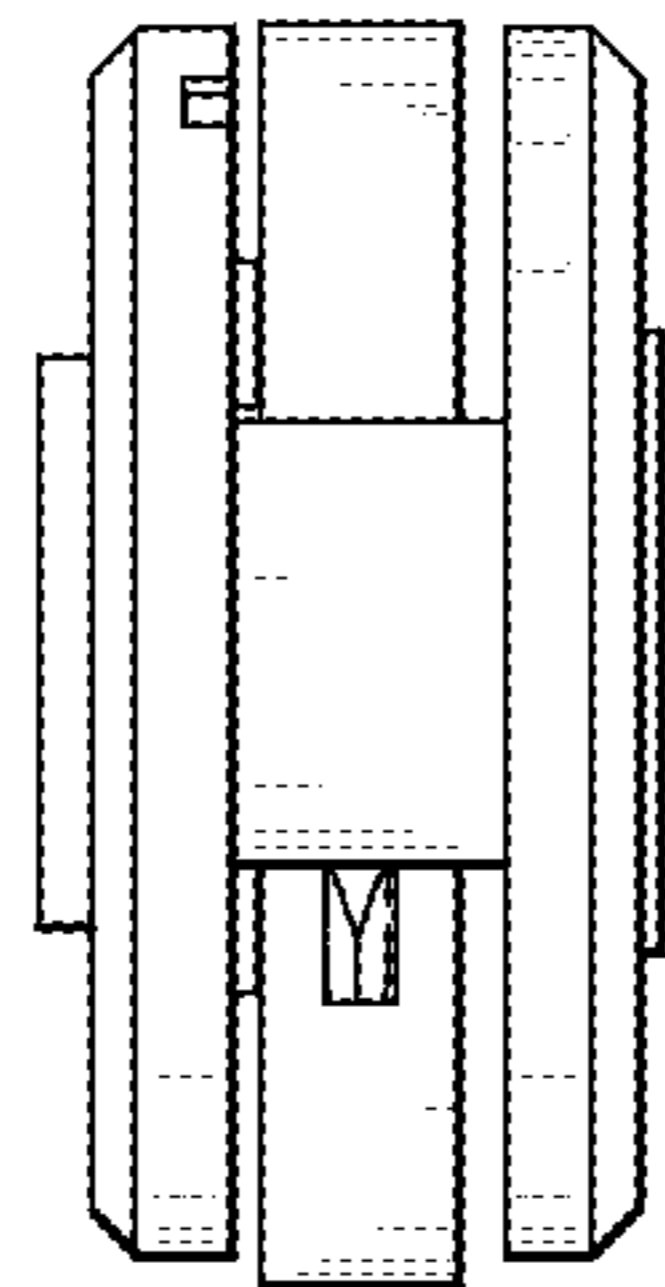


FIG. 14

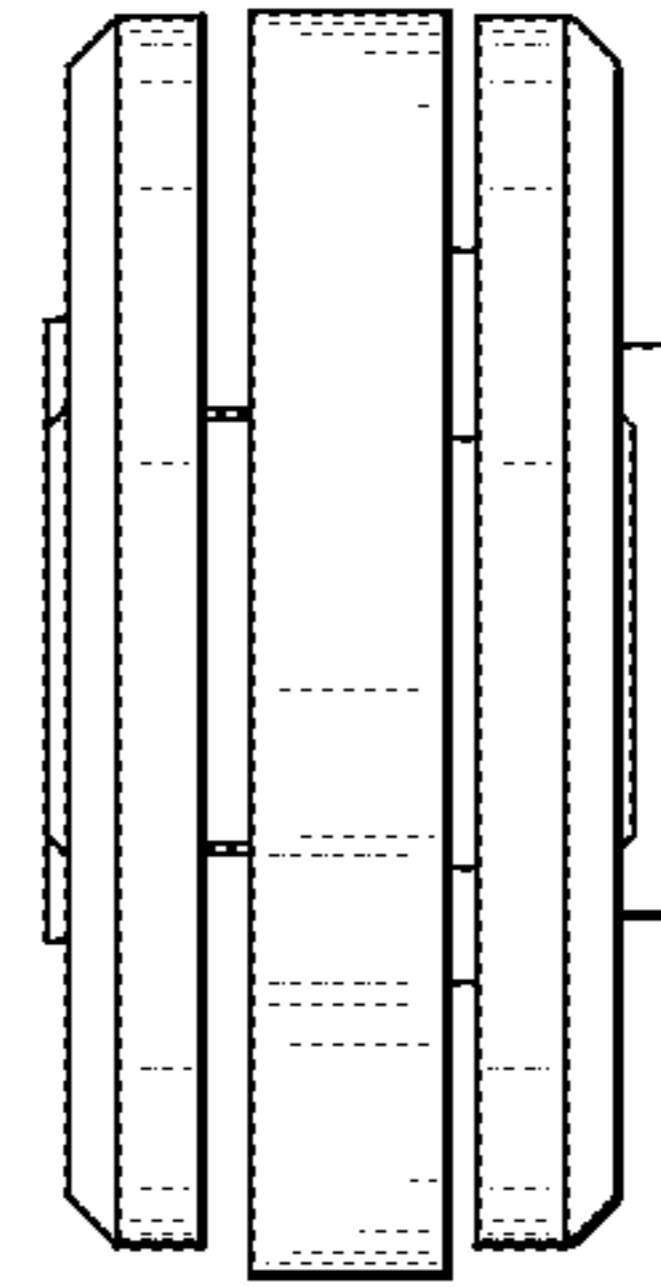


FIG. 15