



US00D959947S

(12) **United States Design Patent**
Chen

(10) **Patent No.:** **US D959,947 S**

(45) **Date of Patent:** **** Aug. 9, 2022**

(54) **MANUALLY-OPERATED GRINDING TOOL**

(71) Applicant: **Mosand Industrial Co., Ltd.,**
Changhua (TW)

(72) Inventor: **Chun-Tien Chen,** Changhua (TW)

(73) Assignee: **Mosand Industrial Co., Ltd.,**
Changhua (TW)

(**) Term: **15 Years**

(21) Appl. No.: **29/746,866**

(22) Filed: **Aug. 18, 2020**

D544,326 S	6/2007	Sterpka et al.
D556,534 S	12/2007	Henke et al.
D564,325 S	3/2008	Henke et al.
D593,826 S	6/2009	Aglassiniger
D596,362 S	7/2009	Crevling, Jr. et al.
D609,071 S	2/2010	Yamamoto et al.
D637,057 S	5/2011	Schomisch
D667,285 S	9/2012	Welsch et al.
D685,241 S	7/2013	Waldron
D718,998 S	12/2014	Tirone et al.
D720,592 S	1/2015	Arvinte
D732,363 S	6/2015	Finnas
D739,199 S	9/2015	Finnaes
D746,118 S	12/2015	Xu
9,358,665 B2	6/2016	Talbot et al.
D787,291 S	5/2017	Lehovetzki et al.
D787,292 S	5/2017	Lehovetzki et al.
2009/0124177 A1	5/2009	Berryhill

Related U.S. Application Data

(63) Continuation-in-part of application No. 29/664,525,
filed on Sep. 26, 2018, now abandoned.

(51) **LOC (13) Cl.** **08-05**

(52) **U.S. Cl.**
USPC **D8/90**

(58) **Field of Classification Search**
USPC D8/61, 62, 90, 107
CPC B24B 55/10; B24B 15/04; B24B 7/184;
B24B 15/023
See application file for complete search history.

References Cited

U.S. PATENT DOCUMENTS

5,245,797 A	9/1993	Milkie
D354,666 S	1/1995	Kriebel
6,616,518 B2	9/2003	Sun et al.
D509,722 S	9/2005	Wikle et al.
7,033,259 B1	4/2006	Seasholtz et al.
D527,240 S	8/2006	Kirschhoffer et al.
D530,178 S	10/2006	Bortz
D531,472 S	11/2006	Schiller et al.

Primary Examiner — Philip S Hyder

(74) *Attorney, Agent, or Firm* — Alan D. Kamrath; Karin
L. Williams; Mayer & Williams PC

(57) **CLAIM**

The ornamental design for a manually-operated grinding
tool, as shown and described.

DESCRIPTION

FIG. 1 is a perspective view of a manually-operated grinding
tool showing my design.

FIG. 2 is a front elevational view thereof.

FIG. 3 is a rear elevational view thereof.

FIG. 4 is a left side elevational view thereof.

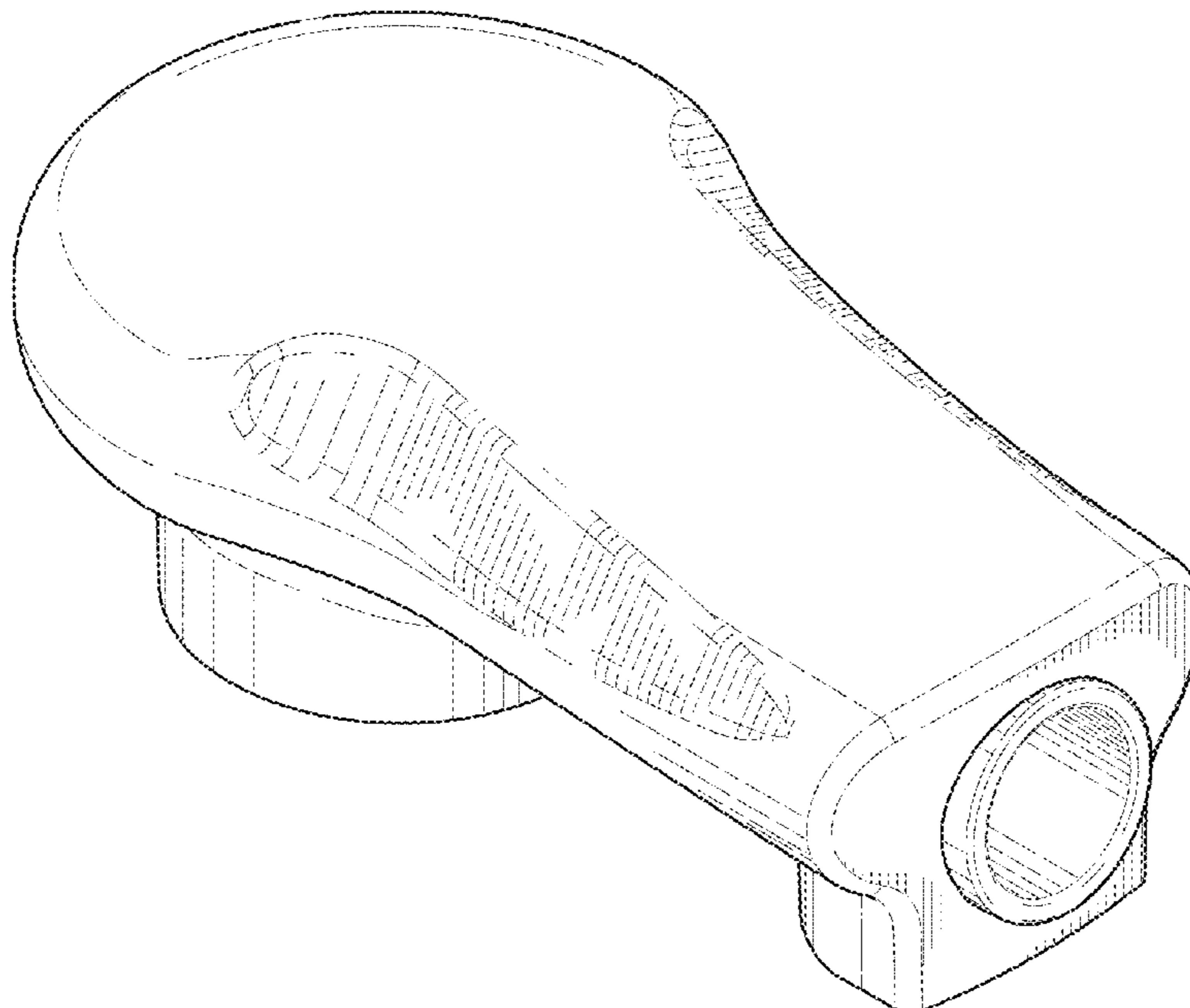
FIG. 5 is a right side elevational view thereof.

FIG. 6 is a top plan view thereof; and,

FIG. 7 is a bottom plan view thereof.

The broken lines in FIG. 7 depict aspects of the manually-
operated grinding tool in which the design is embodied that
are not considered part of the claimed design.

1 Claim, 7 Drawing Sheets



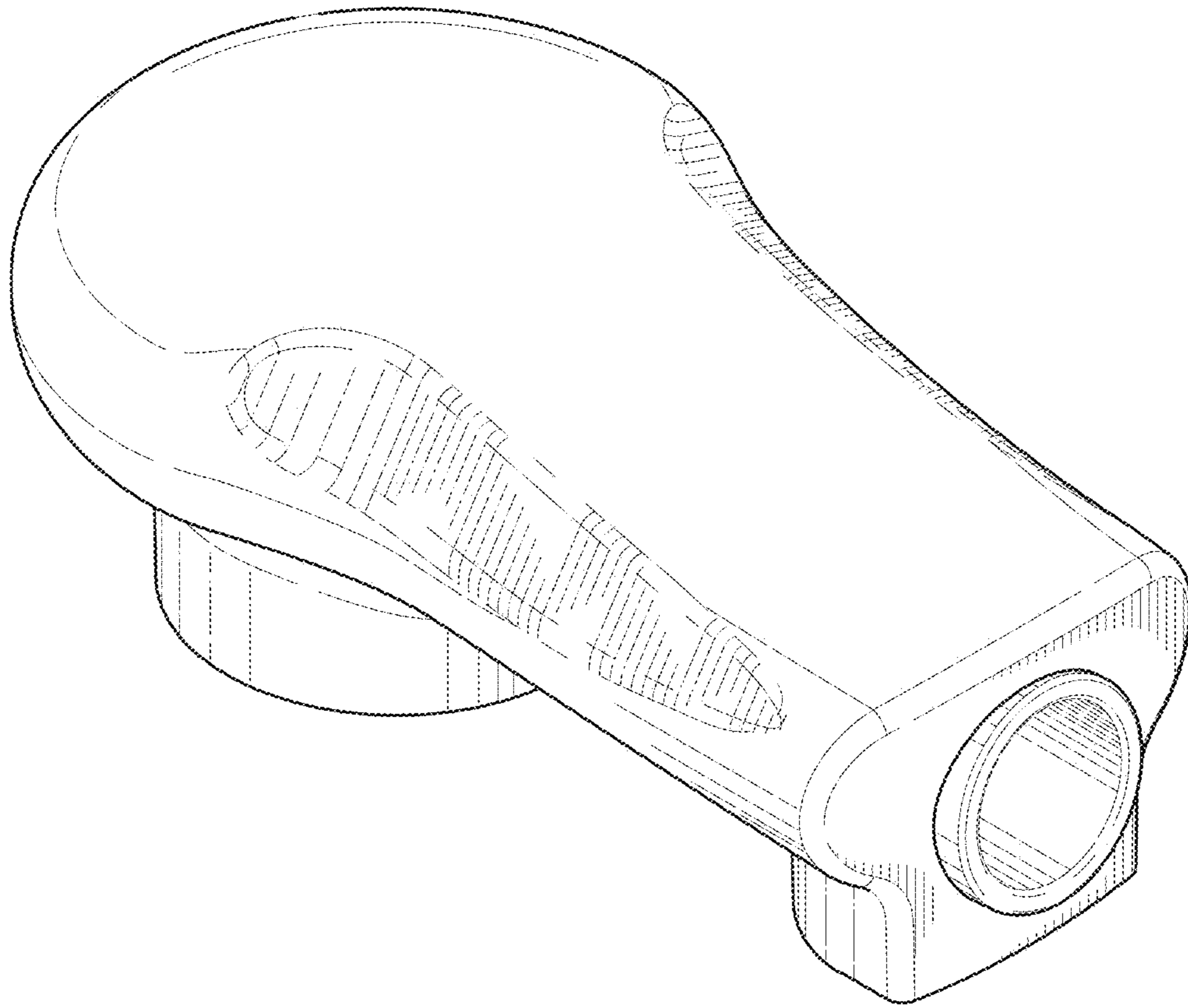


FIG. 1

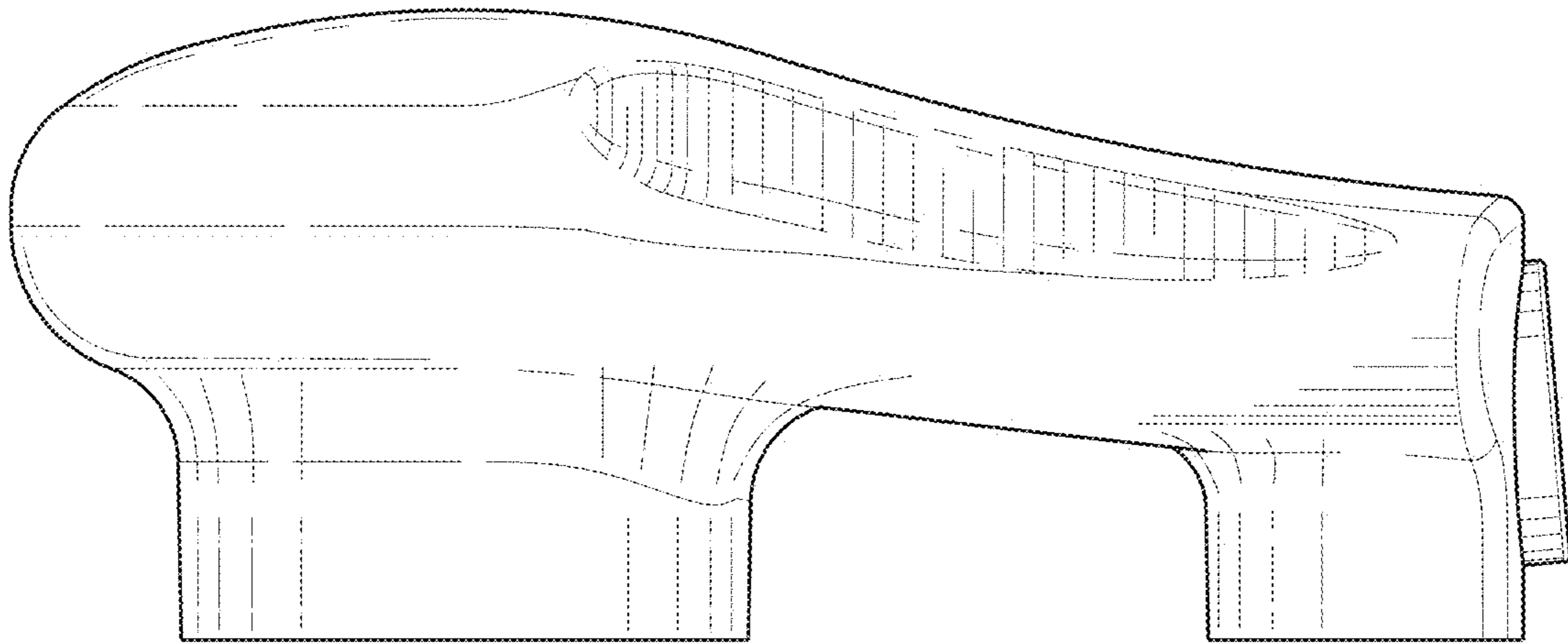


FIG. 2

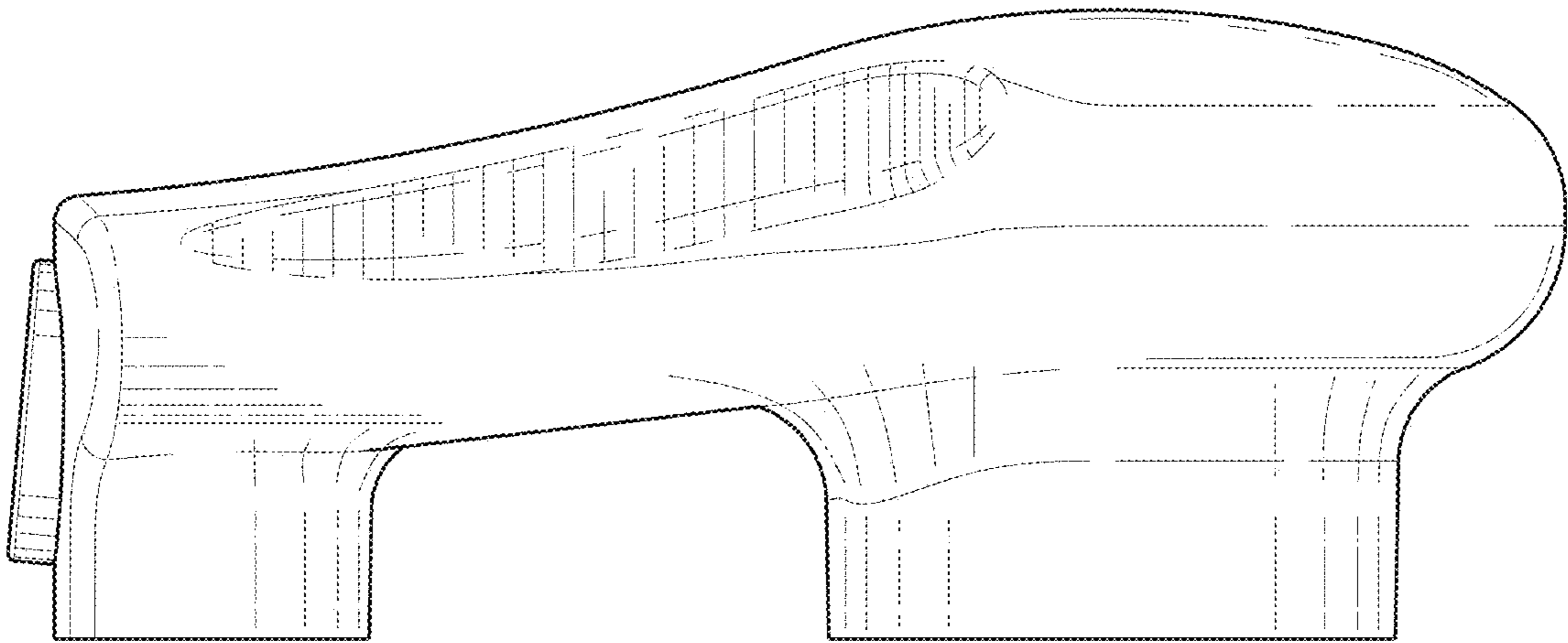


FIG. 3

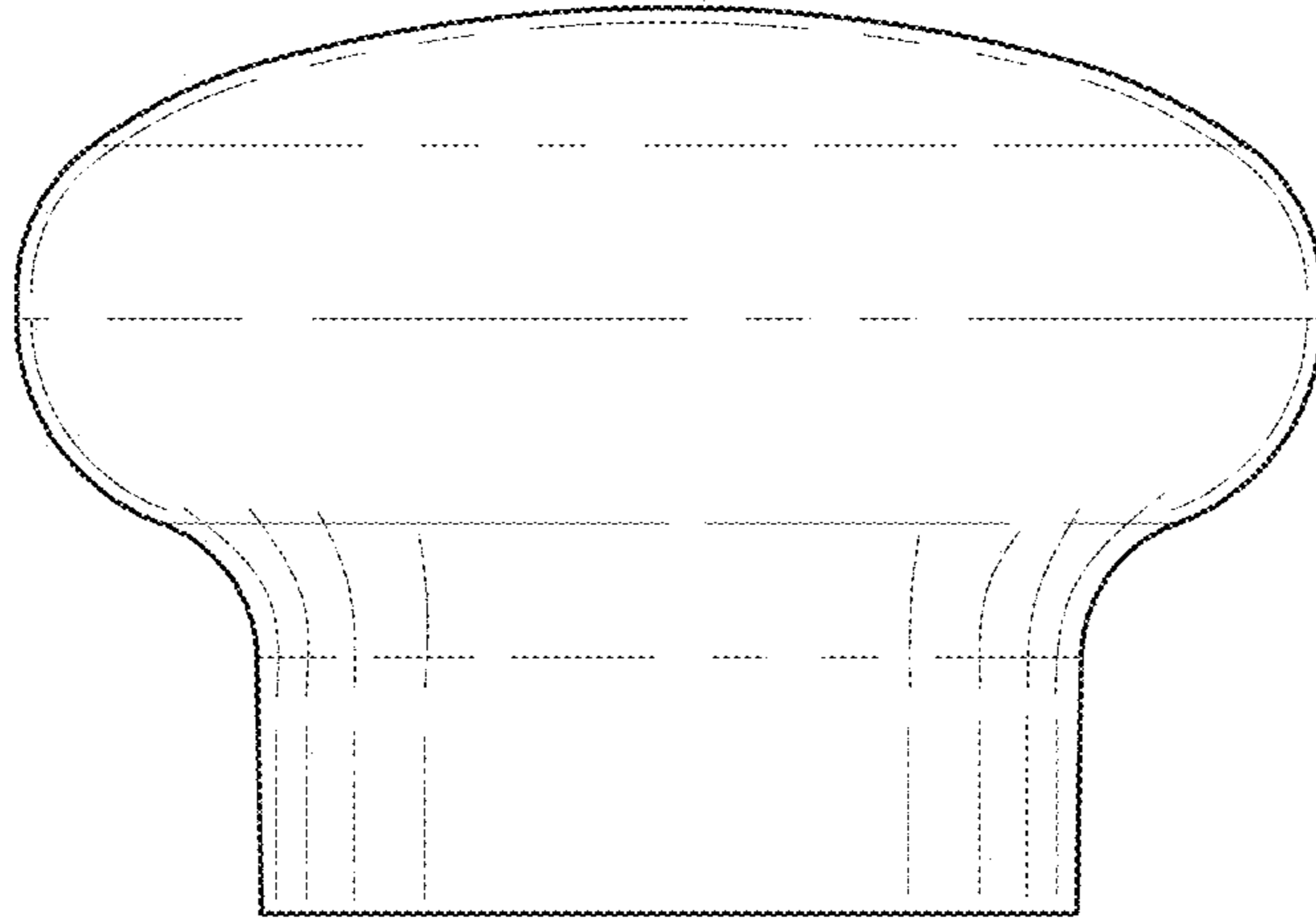


FIG. 4

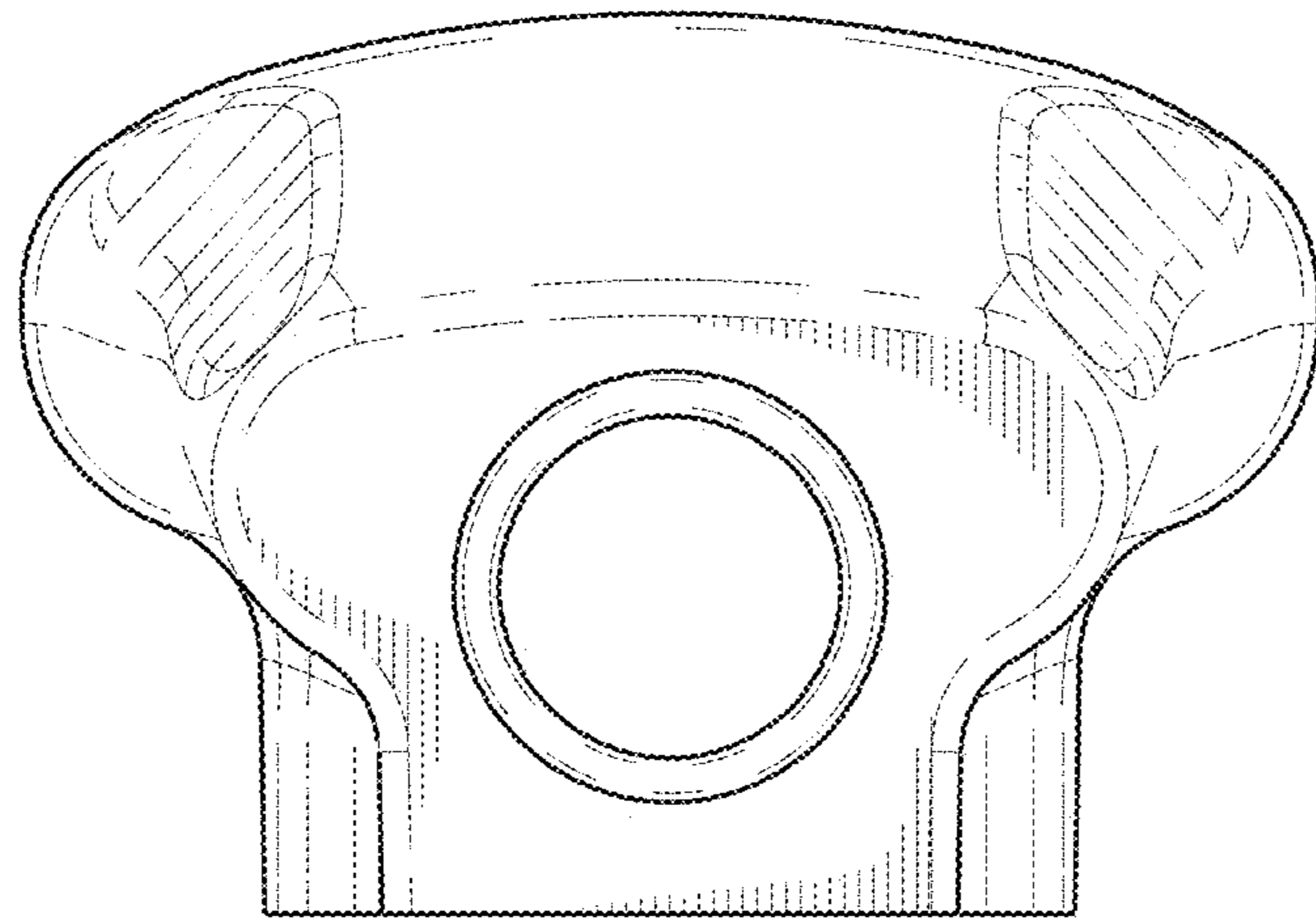


FIG. 5

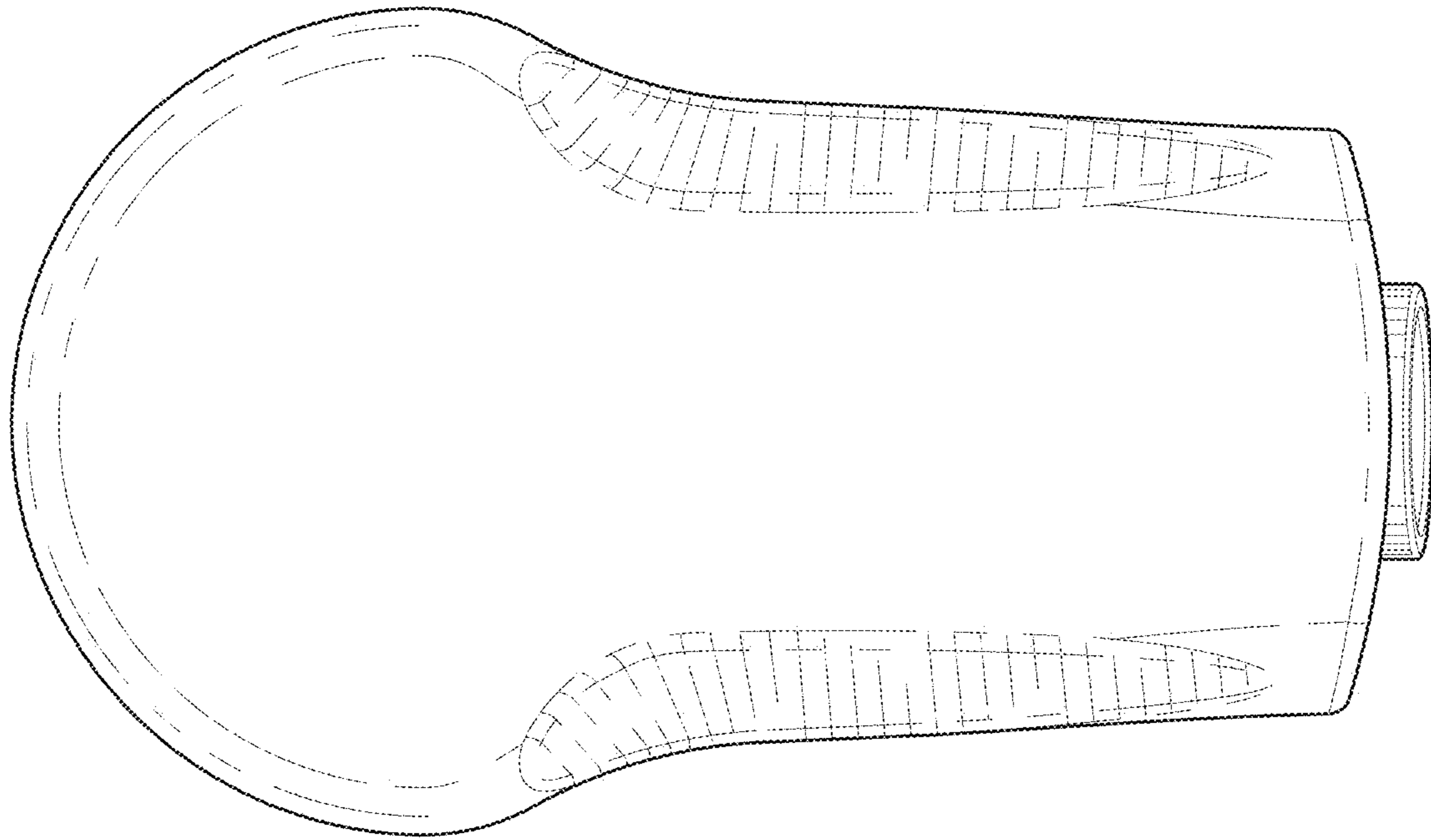


FIG. 6

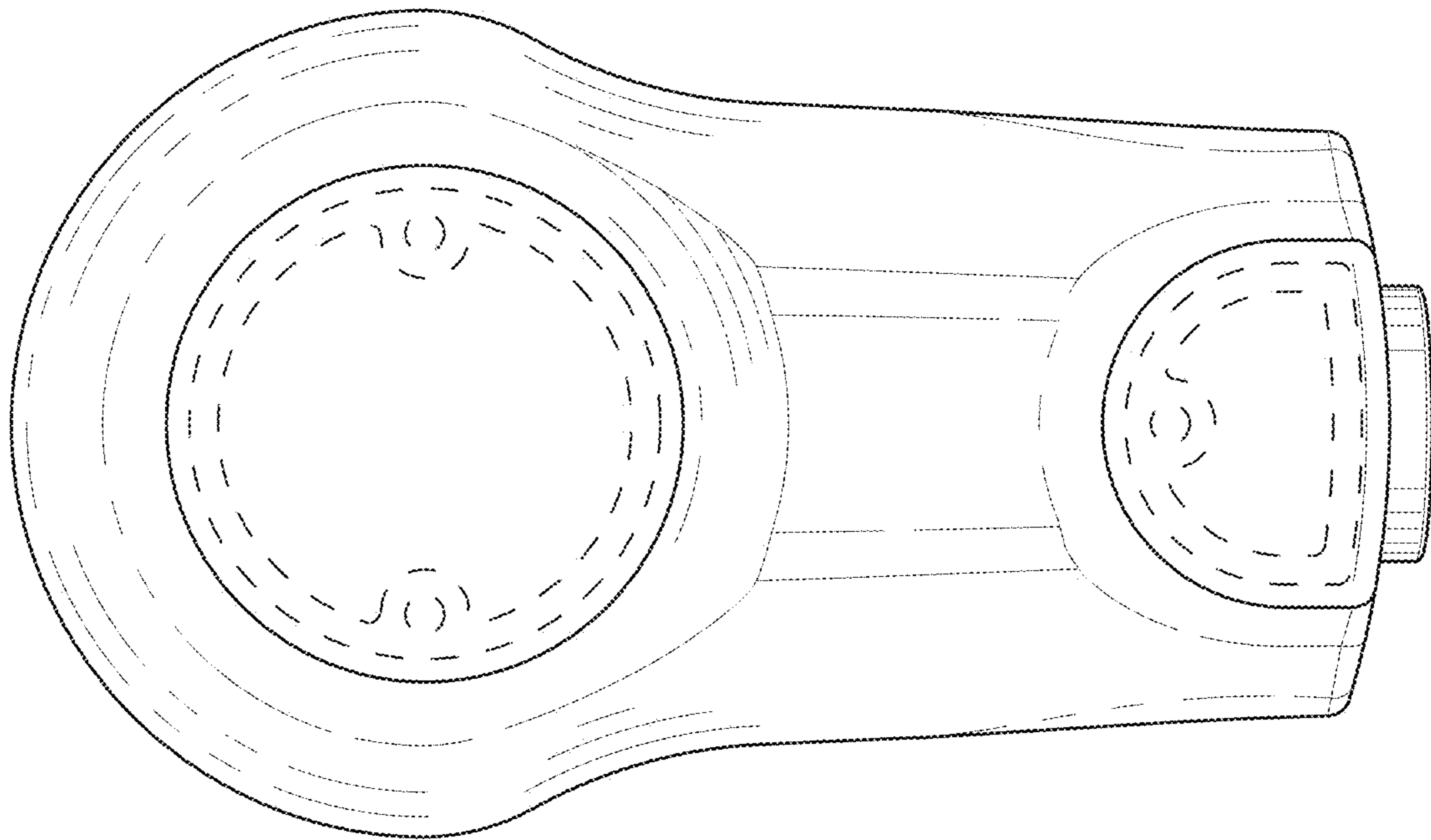


FIG. 7