



US00D959946S

(12) **United States Design Patent** (10) **Patent No.:** **US D959,946 S**
Wang et al. (45) **Date of Patent:** **** Aug. 9, 2022**

(54) **WHEEL CLAMP CARRYING SUPPORT**

(56) **References Cited**

(71) Applicant: **AUTEL INTELLIGENT TECHNOLOGY CORP., LTD.,**
Guangdong (CN)

U.S. PATENT DOCUMENTS

(72) Inventors: **Yongshuai Wang,** Guangdong (CN);
Yuelong Liao, Guangdong (CN)

D576,478 S *	9/2008	Mead	D8/395
D584,603 S *	1/2009	Reed	D8/395
D603,692 S *	11/2009	Boyd	D8/395
D690,571 S *	10/2013	Orwin	D10/62
D783,380 S *	4/2017	Szucs	D8/71
D899,912 S *	10/2020	O'Halloran	D8/382
D901,404 S *	11/2020	Ice	D13/179
D911,159 S *	2/2021	Black	D8/394

(73) Assignee: **AUTEL INTELLIGENT TECHNOLOGY CORP., LTD.,**
Shenzhen (CN)

* cited by examiner

(**) Term: **15 Years**

Primary Examiner — David G Muller

(21) Appl. No.: **29/797,108**

(57) **CLAIM**

We claim the ornamental design for a wheel clamp carrying support, as shown and described.

(22) Filed: **Jun. 29, 2021**

DESCRIPTION

(30) **Foreign Application Priority Data**

Dec. 31, 2020 (CN) 202030826838.2

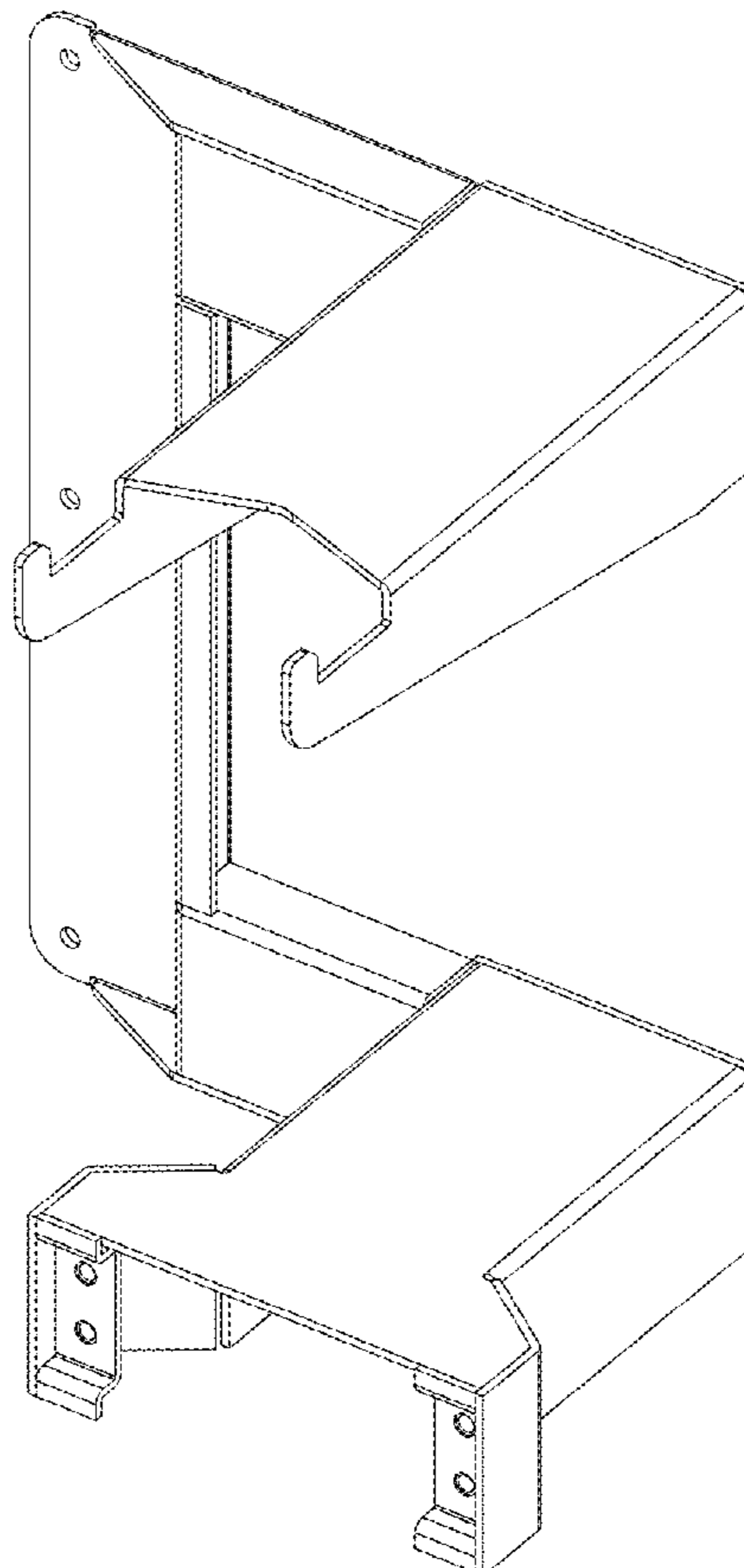
(51) **LOC (13) Cl.** **08-05**

(52) **U.S. Cl.**
USPC **D8/72**

(58) **Field of Classification Search**
USPC D8/71-74, 394-399, 59
CPC B25B 1/00; B25B 5/00
See application file for complete search history.

FIG. 1 is a front elevational view of a wheel clamp carrying support showing our new design;
FIG. 2 is a back elevational view thereof;
FIG. 3 is a left side elevational view thereof;
FIG. 4 is a right side elevational view thereof;
FIG. 5 is a top plan view thereof;
FIG. 6 is a bottom plan view thereof;
FIG. 7 is a first perspective view thereof; and,
FIG. 8 is a second perspective view thereof.

1 Claim, 8 Drawing Sheets



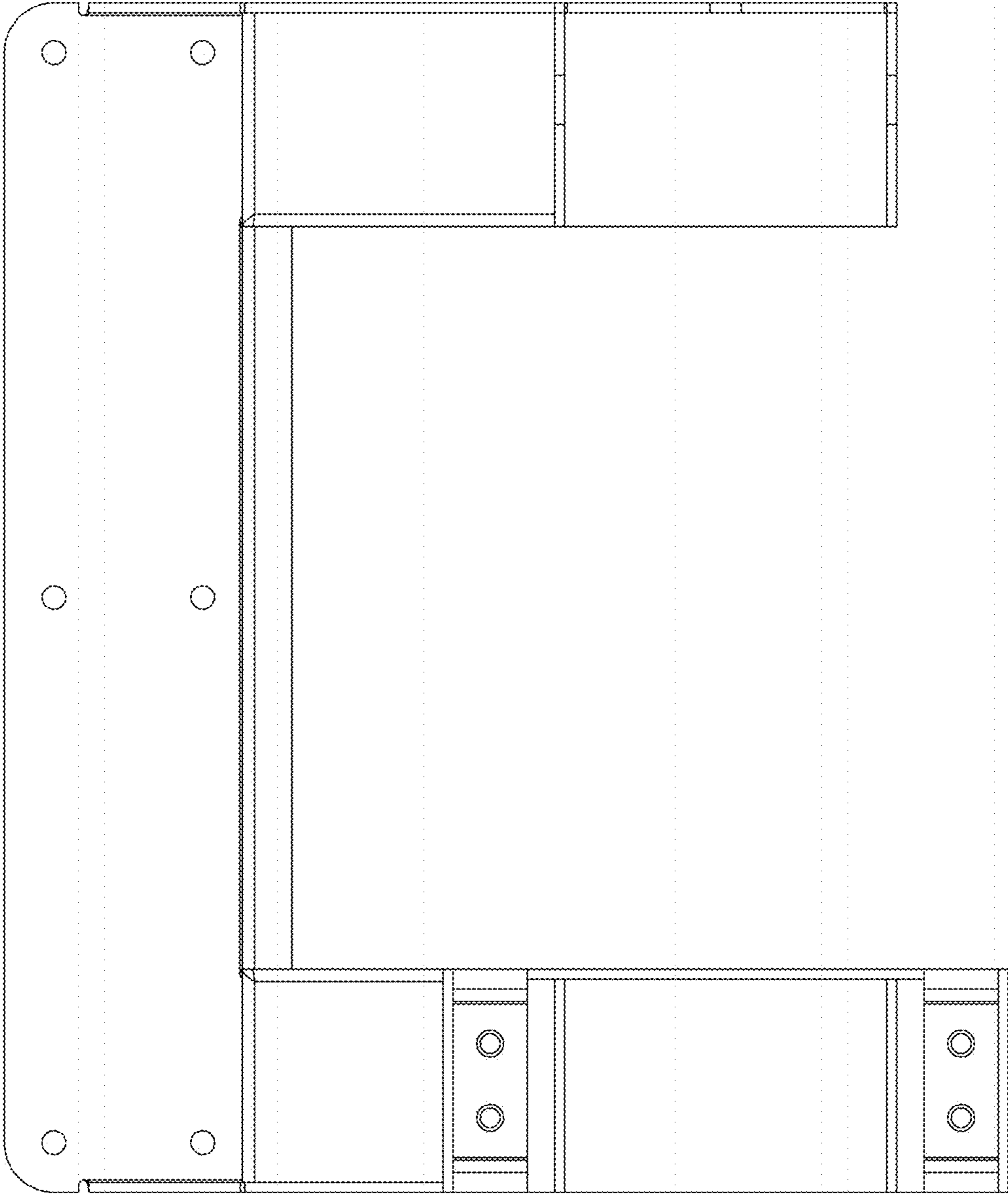


FIG.1

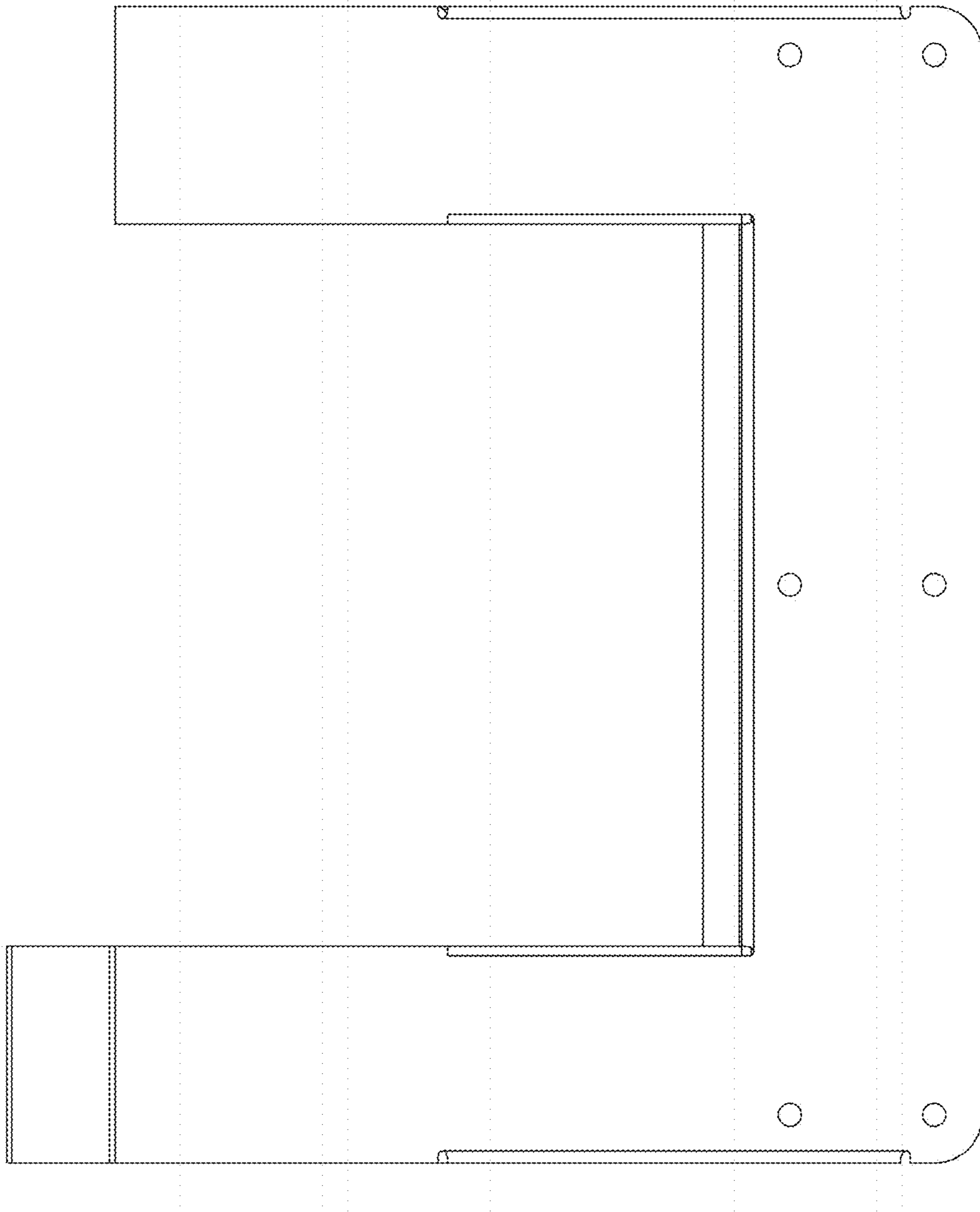


FIG.2

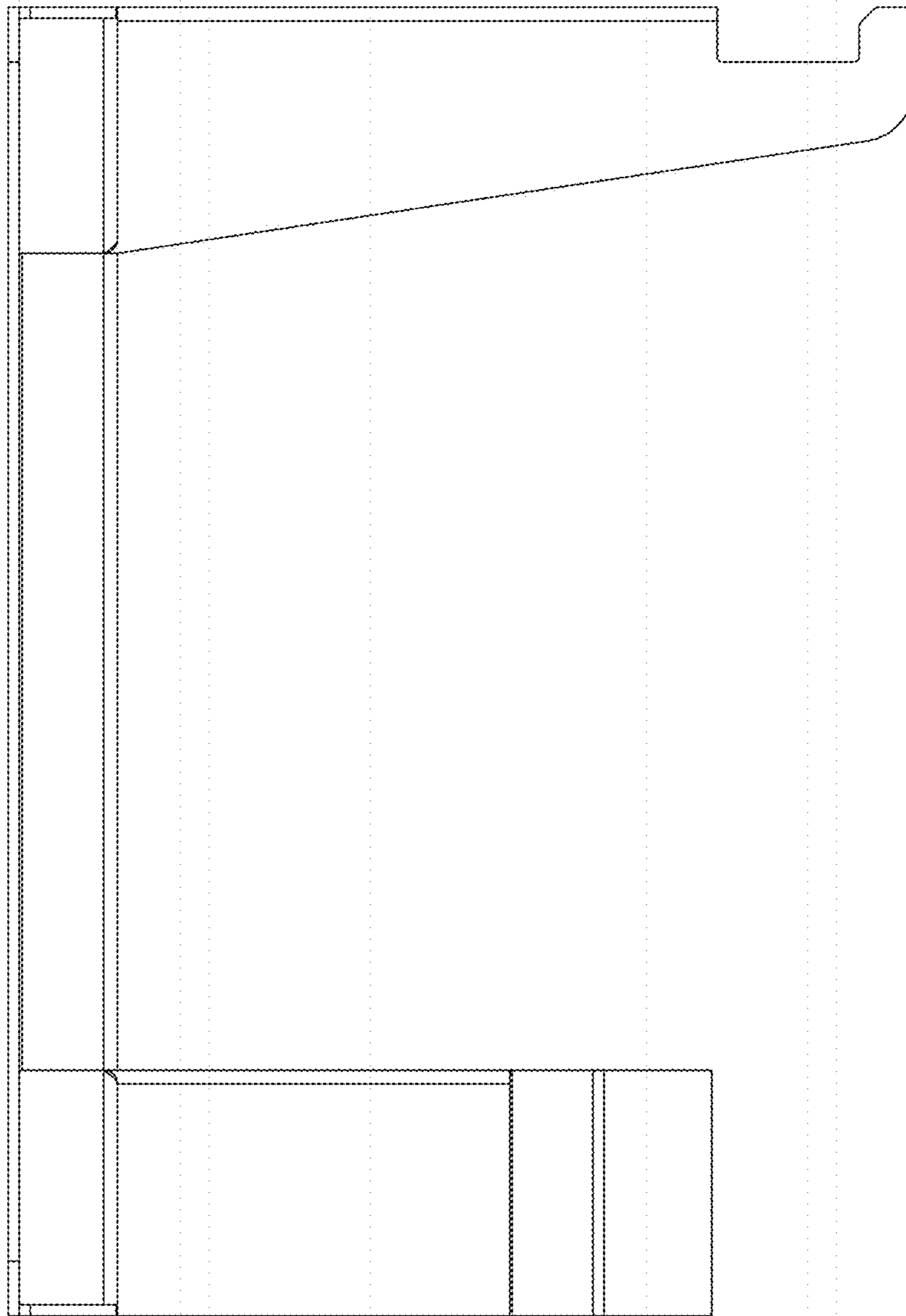


FIG.3

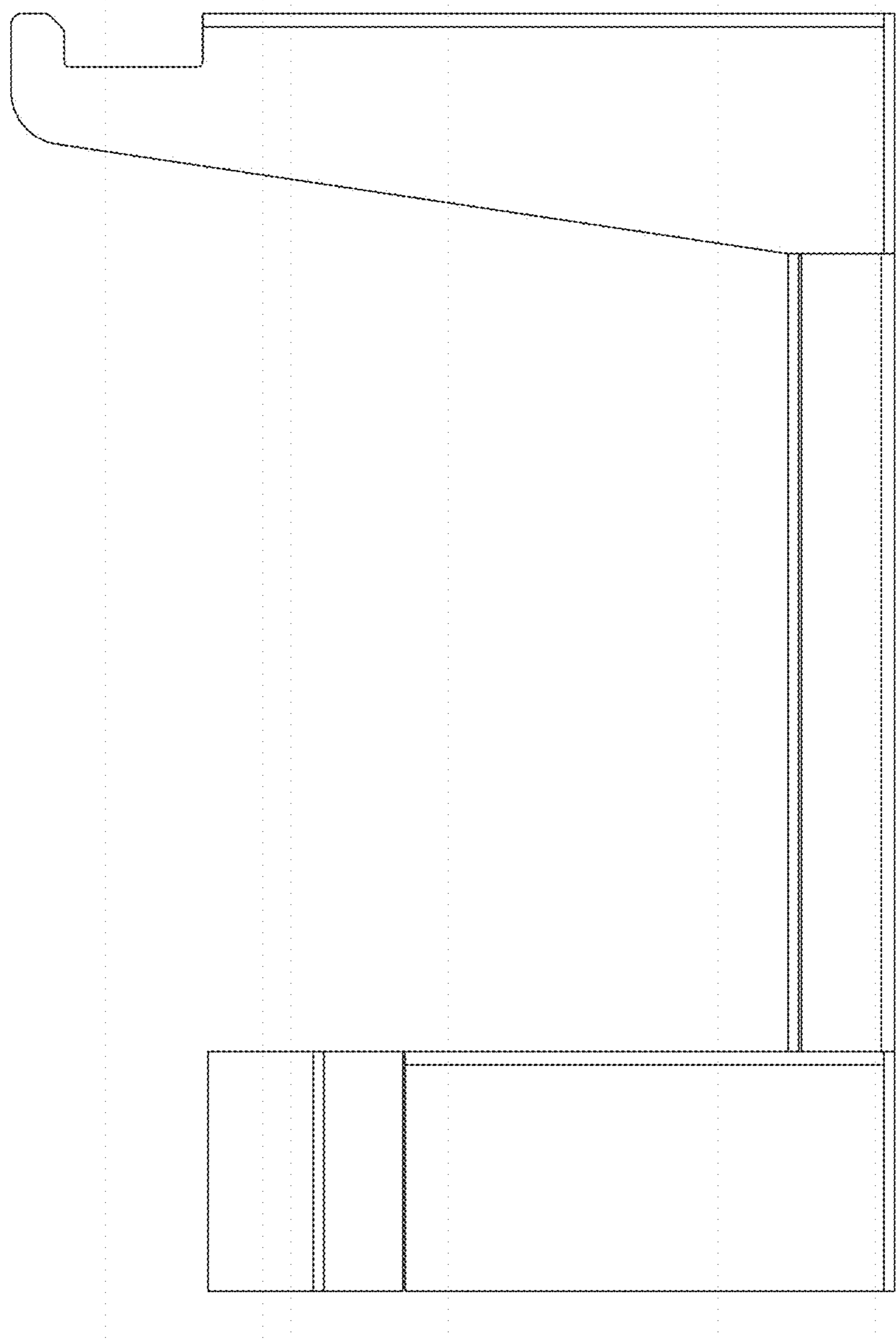


FIG.4

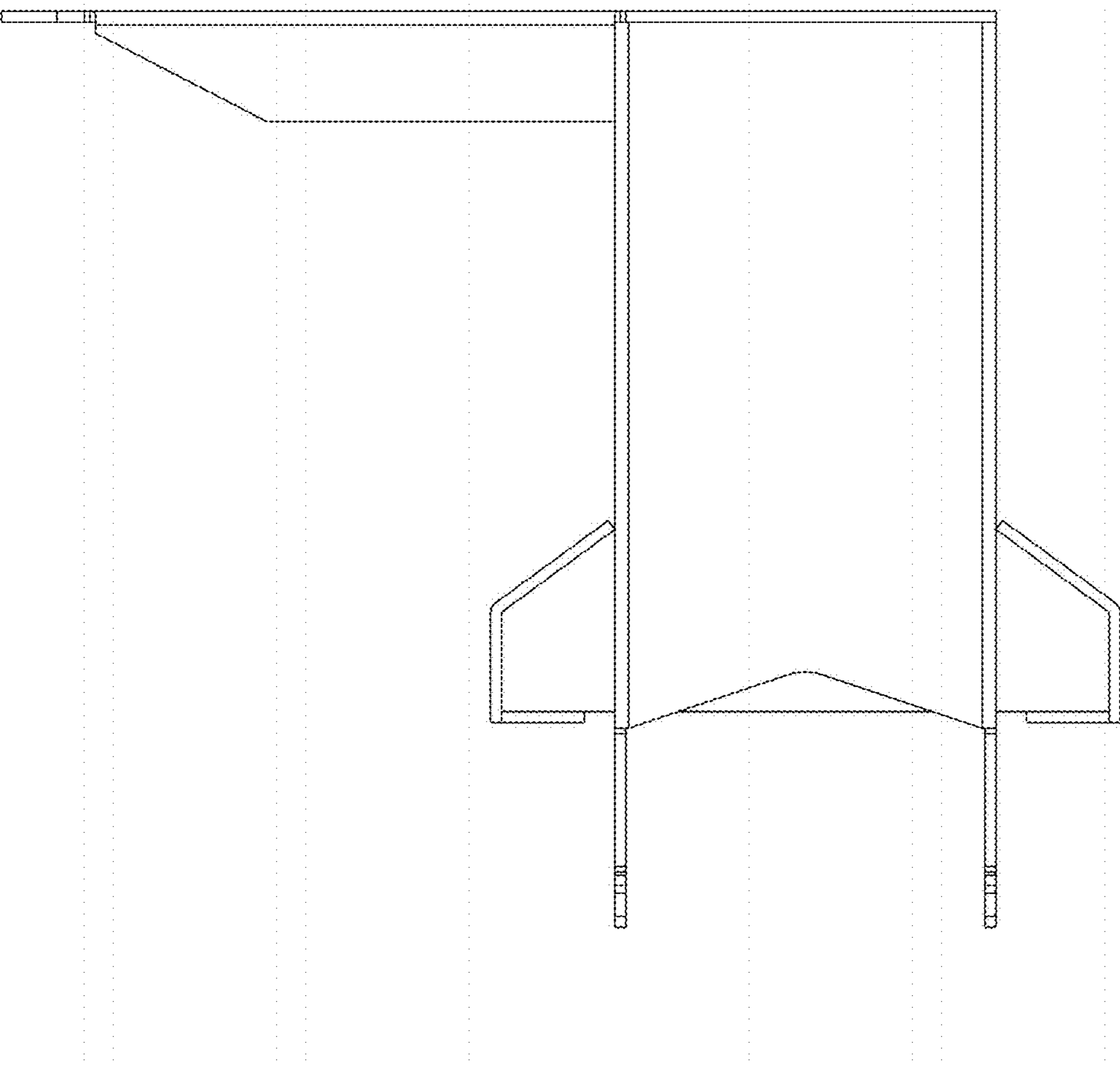


FIG.5

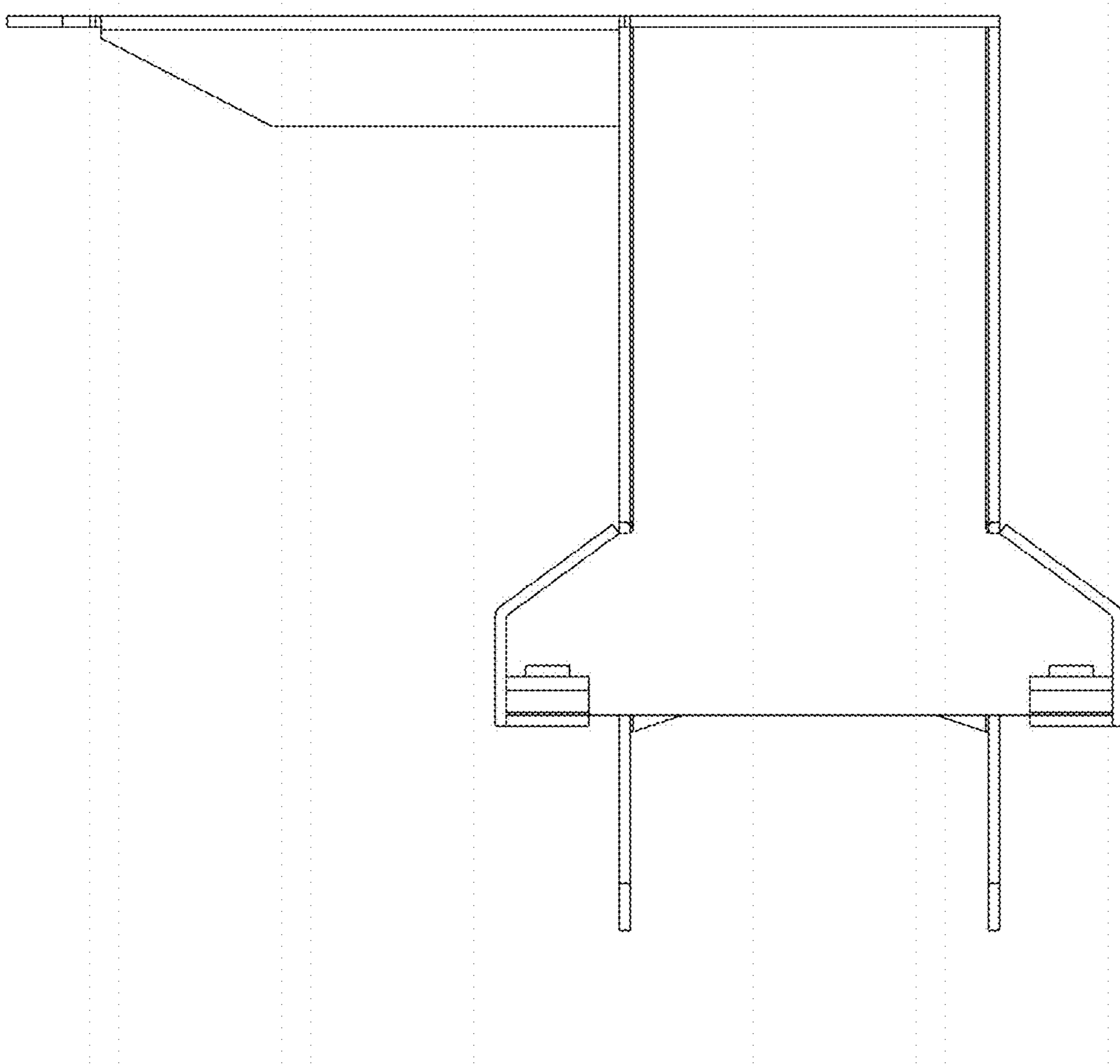


FIG.6

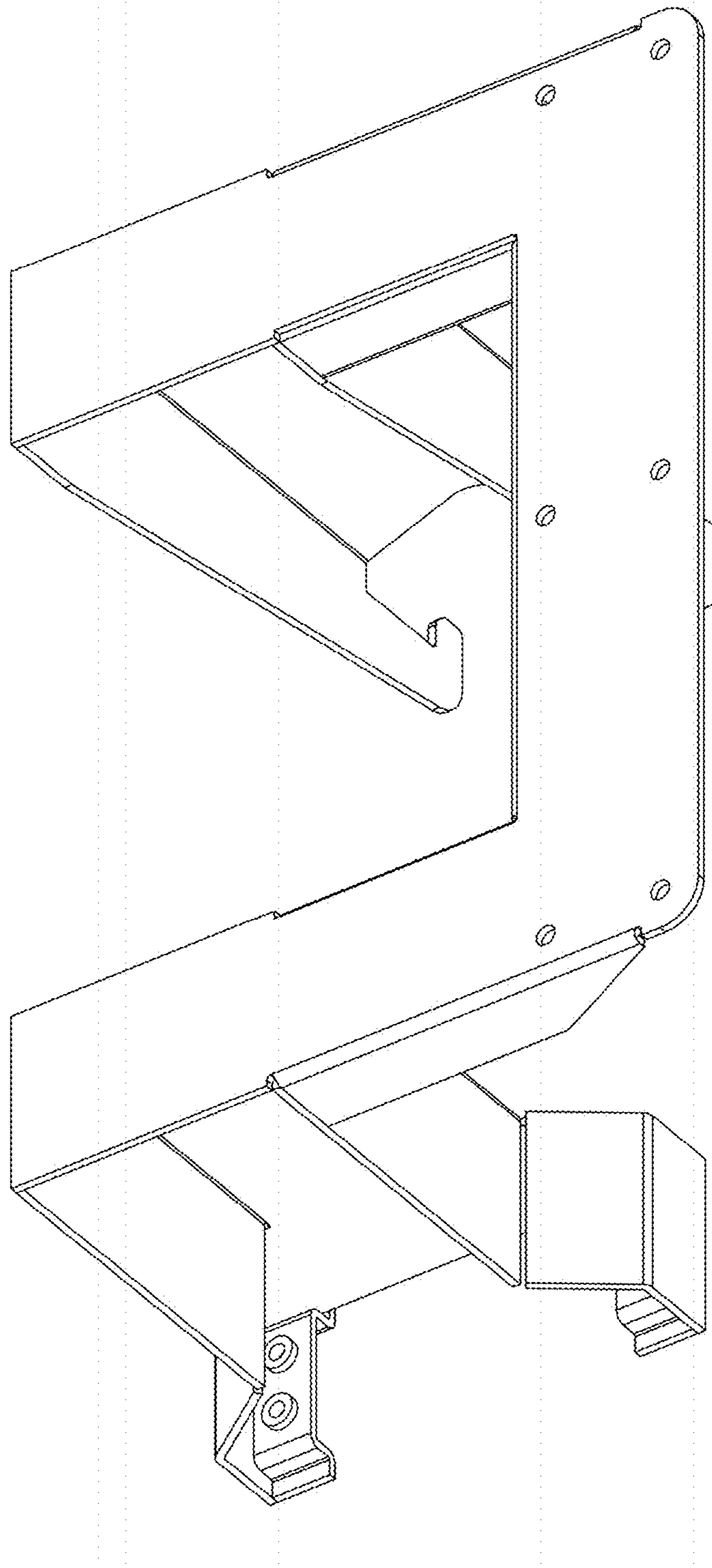


FIG.7

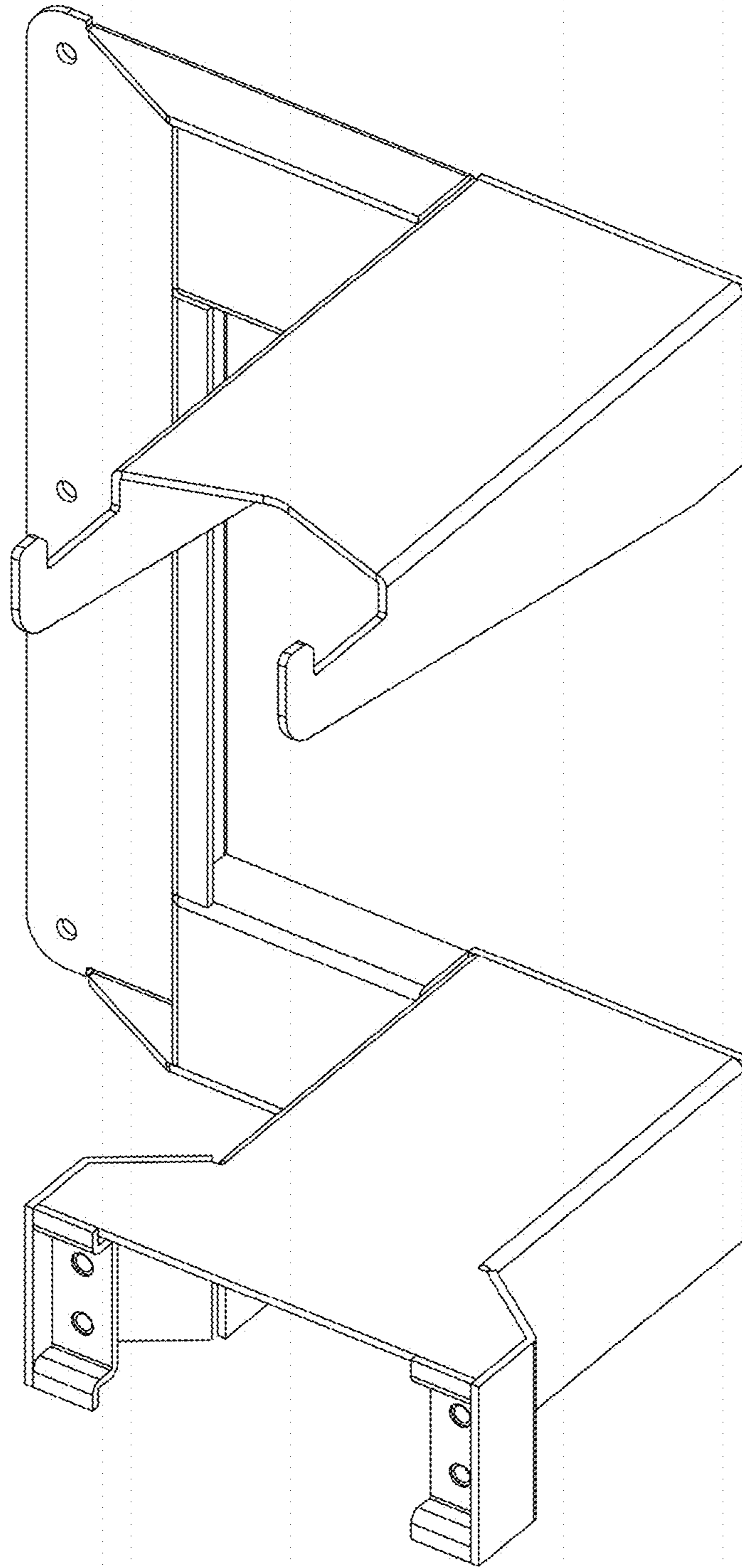


FIG.8