



US00D959942S

(12) **United States Design Patent** (10) **Patent No.:** **US D959,942 S**
Chen (45) **Date of Patent:** **** Aug. 9, 2022**

(54) **WRENCH ADAPTER**

(71) Applicant: **Yi-Fu Chen**, Taichung (TW)

(72) Inventor: **Yi-Fu Chen**, Taichung (TW)

(**) Term: **15 Years**

(21) Appl. No.: **29/735,412**

(22) Filed: **May 21, 2020**

(51) **LOC (13) Cl.** **08-05**

(52) **U.S. Cl.**
USPC **D8/21; D8/25; D8/28**

(58) **Field of Classification Search**
USPC D8/14, 21, 24, 25, 26, 27, 29, 51, 59,
D8/107, 307; D10/70; D24/133, 147;
81/57.13, 57.39
CPC B25B 21/004; B25B 13/46; B25B 13/463
See application file for complete search history.

(56) **References Cited**

U.S. PATENT DOCUMENTS

3,186,265	A *	6/1965	Wenturine	B25B 13/463
					81/177.9
3,779,107	A *	12/1973	Avery	B25G 1/063
					81/177.8
D289,135	S *	4/1987	Doman	D8/25
6,186,030	B1 *	2/2001	Whitley	B25B 13/465
					81/58.3
6,857,341	B1 *	2/2005	Cheng	B25G 1/063
					81/177.8
6,877,404	B2 *	4/2005	Chen	B25G 1/063
					81/177.9
D525,493	S *	7/2006	Hsieh	D8/27
7,367,249	B1 *	5/2008	Chiang	B25B 23/0035
					81/177.85
D630,482	S *	1/2011	Su	D8/27
D632,533	S *	2/2011	Cappuccio	D8/25
7,878,091	B2 *	2/2011	Abel	B25B 23/0021
					81/177.9
D660,666	S *	5/2012	Chang	B25G 1/063
					D8/28

(Continued)

OTHER PUBLICATIONS

“Sockets and Drive Tools”; Alloy Artifacts; May 25, 2007; Accessed May 12, 2022; URL:< <http://alloy-artifacts.org/armstrong-bros-p3.html> > (Year: 2007).*

(Continued)

Primary Examiner — Rachel A. Voorhies

Assistant Examiner — Benjamin D. Wannemacher

(57) **CLAIM**

The ornamental design for a wrench adapter, as shown and described.

DESCRIPTION

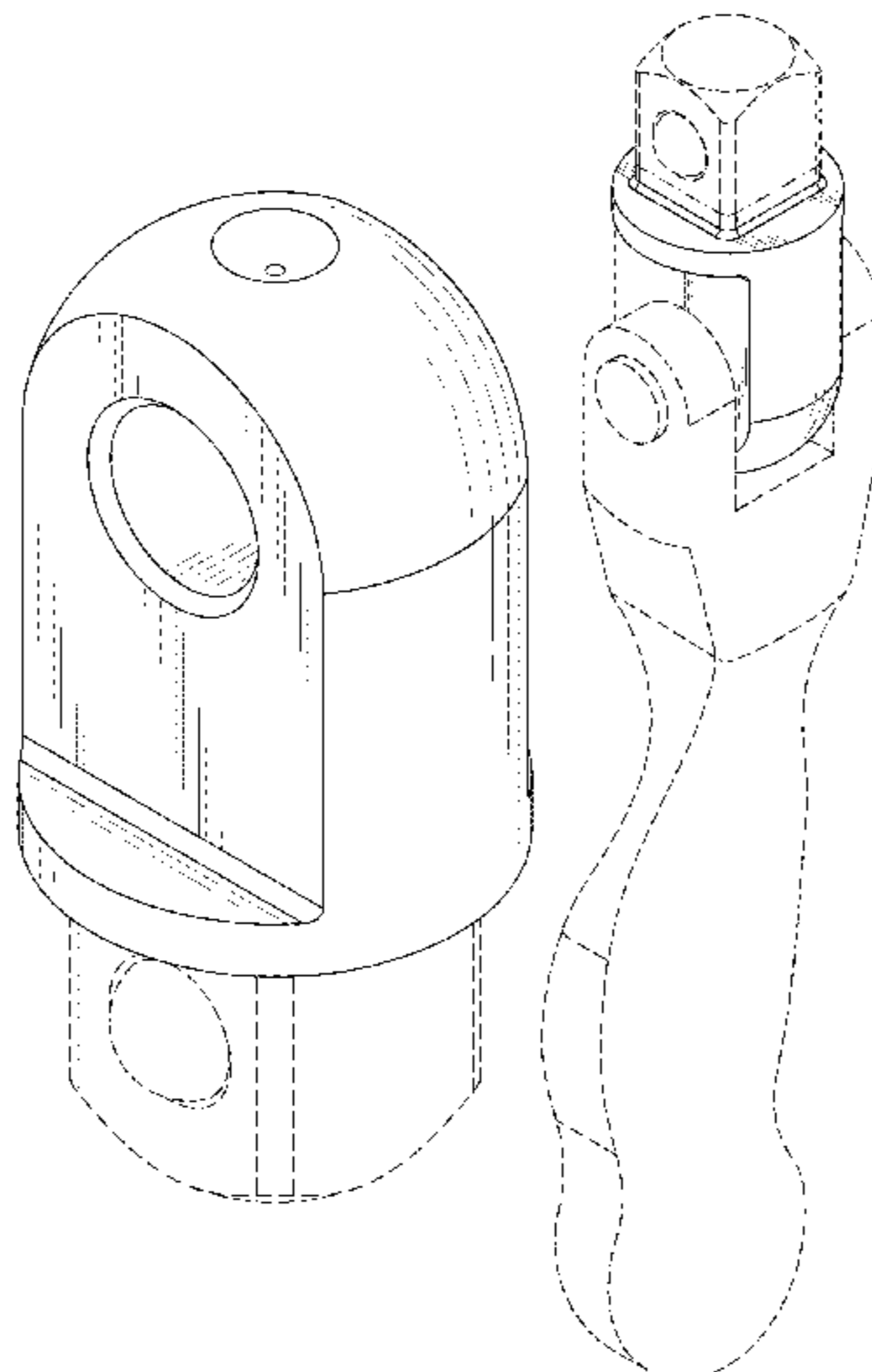
FIG. 1 is a front-right-top perspective view of a wrench adapter showing my new design; FIG. 2 is a front elevational view thereof; FIG. 3 is a rear front elevational view thereof; FIG. 4 is a left side elevational view thereof; FIG. 5 is a right side elevational view thereof; FIG. 6 is a top plan view thereof; FIG. 7 is a bottom plan view thereof, and FIG. 8 is a front-right-bottom perspective view thereof; and, FIG. 9 is a reference view thereof, showing the wrench adapter in use.

The dashed broken lines are included for the purpose of illustrating portions of the wrench adapter and form no part of the claimed design.

The dashed broken lines of FIG. 9 that make up the handle of a wrench are included for the purpose of illustrating an environmental structure and form no part of the claimed design.

The dot-dash broken lines define the bounds of the claimed design and form no part thereof.

1 Claim, 9 Drawing Sheets



(56)

References Cited

U.S. PATENT DOCUMENTS

D668,123 S * 10/2012 Su D8/27
D673,827 S * 1/2013 Cappuccio D8/25
D675,894 S * 2/2013 Chen D8/25
D700,485 S * 3/2014 Liu D8/25
9,452,515 B2 * 9/2016 Lee B25B 13/463
D829,518 S * 10/2018 McLeod D8/24
D935,856 S * 11/2021 Li D8/21
2005/0061117 A1 * 3/2005 Chen B25B 13/461
81/177.7
2011/0072941 A1 * 3/2011 Tsai B25G 1/063
81/177.8

OTHER PUBLICATIONS

“Flex Drive Insert Tools”; Ru-Shine Tools Co.; Dec. 3, 2020;
Accessed May 12, 2022; URL:< <https://web.archive.org/web/20201203202137/https://www.juhsin.com.tw/flex-drive-insert-tools-en> > (Year: 2020).*

* cited by examiner

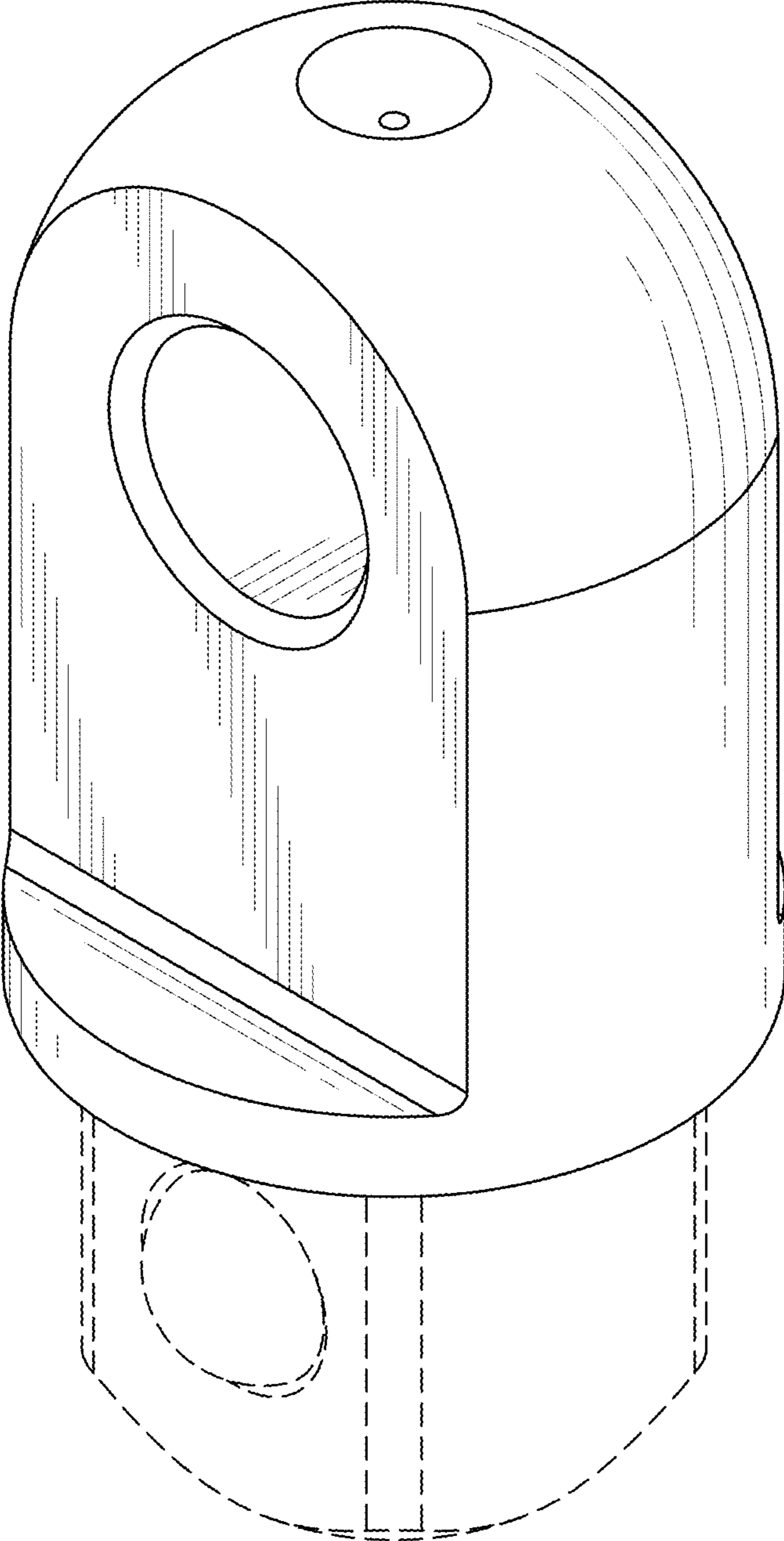


FIG.1

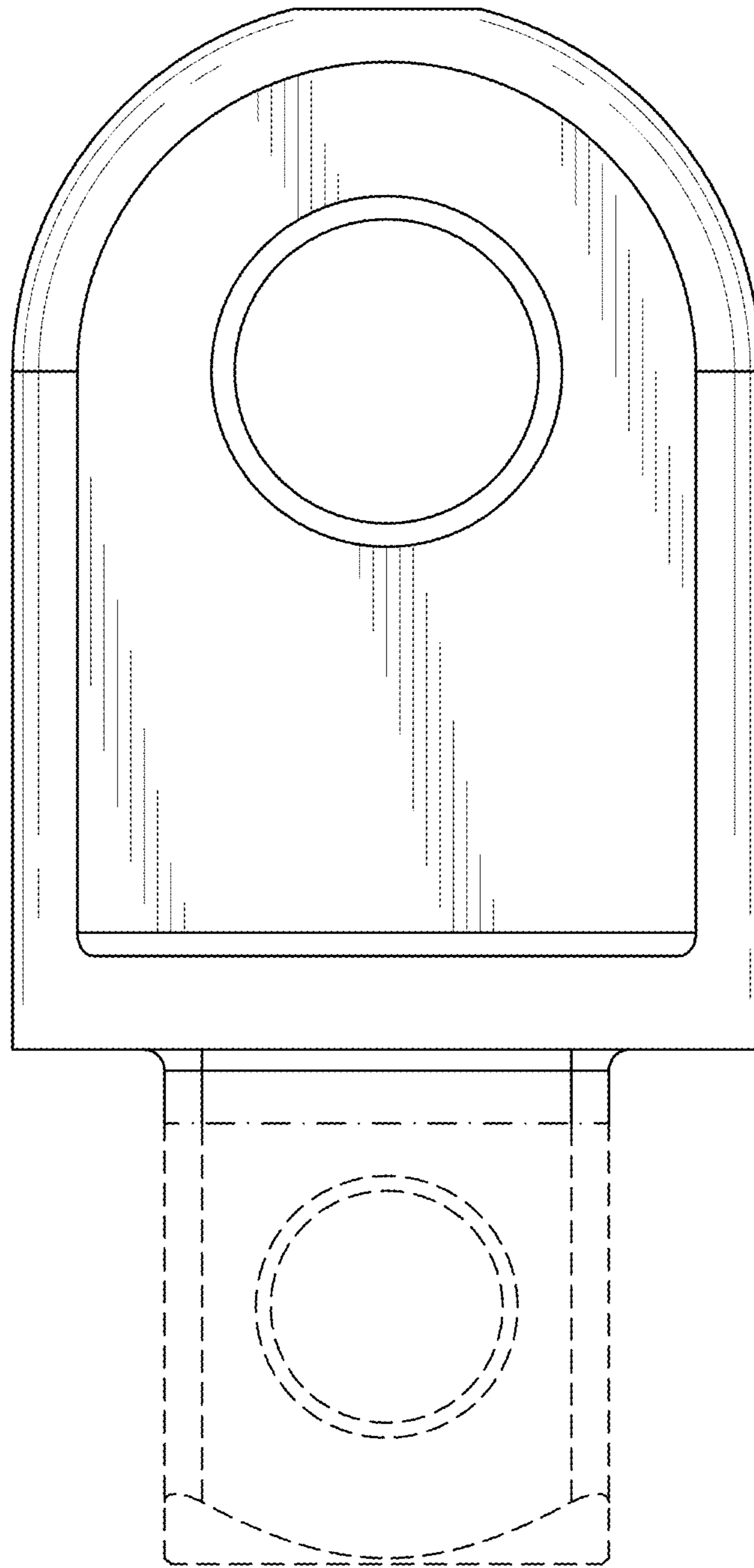


FIG.2

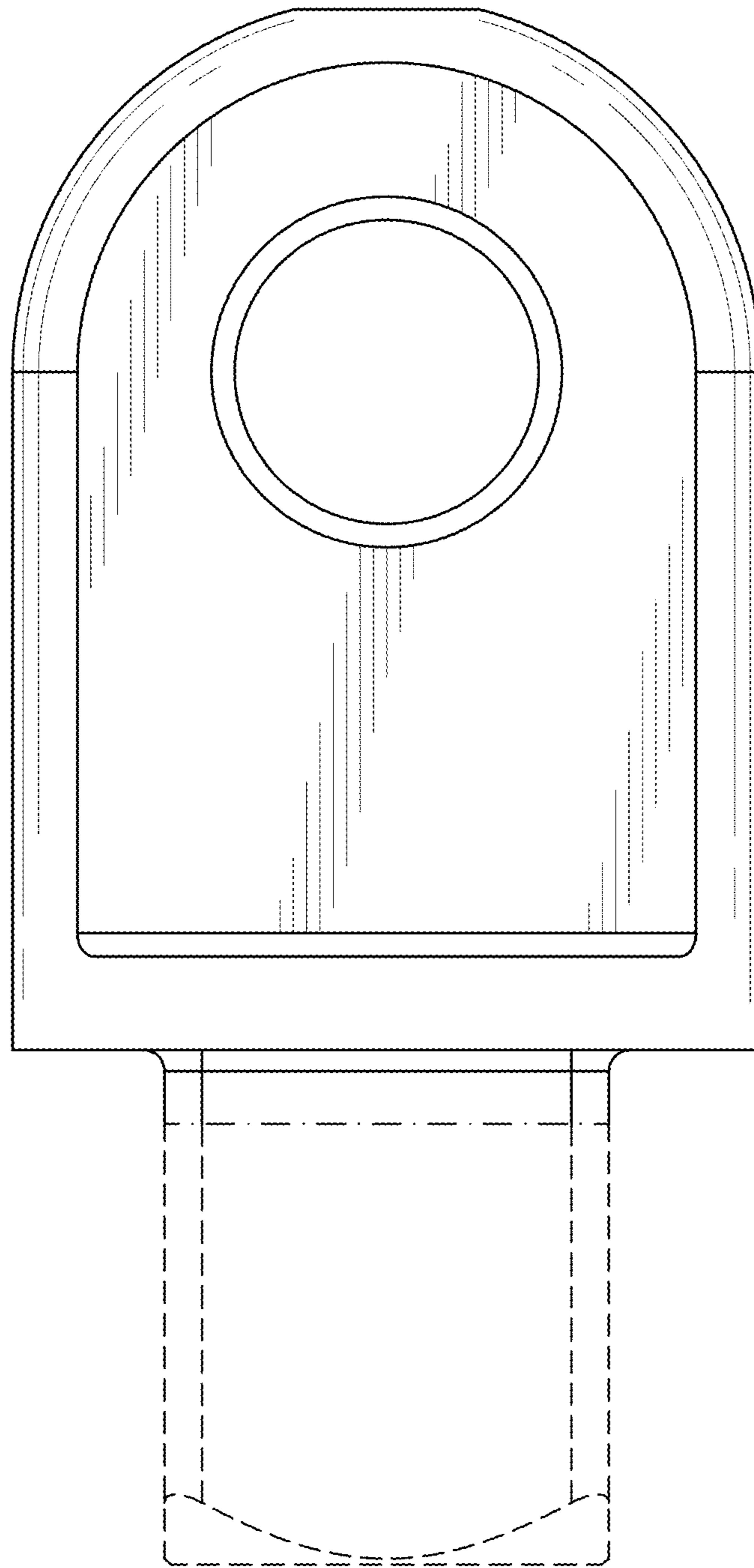


FIG.3

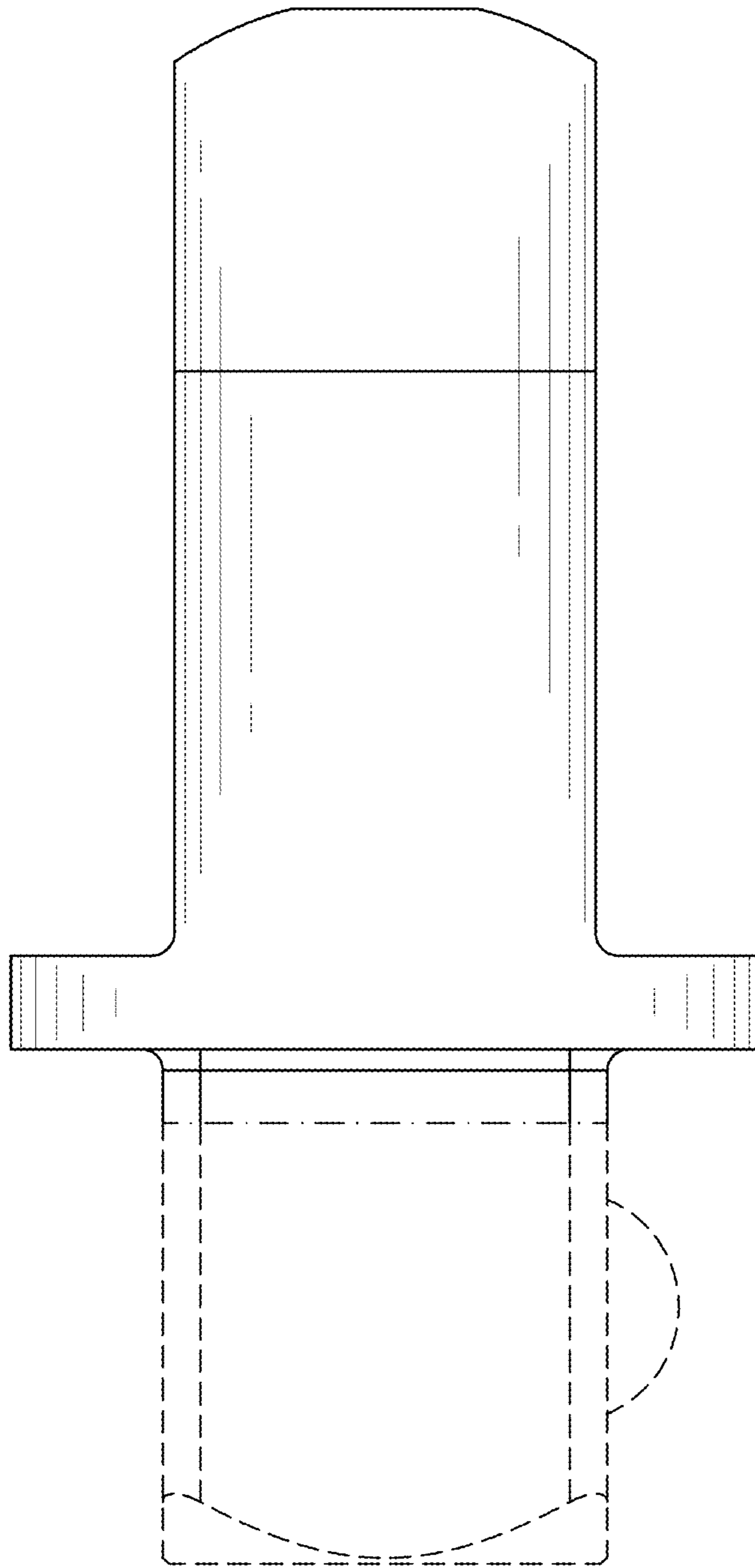


FIG.4

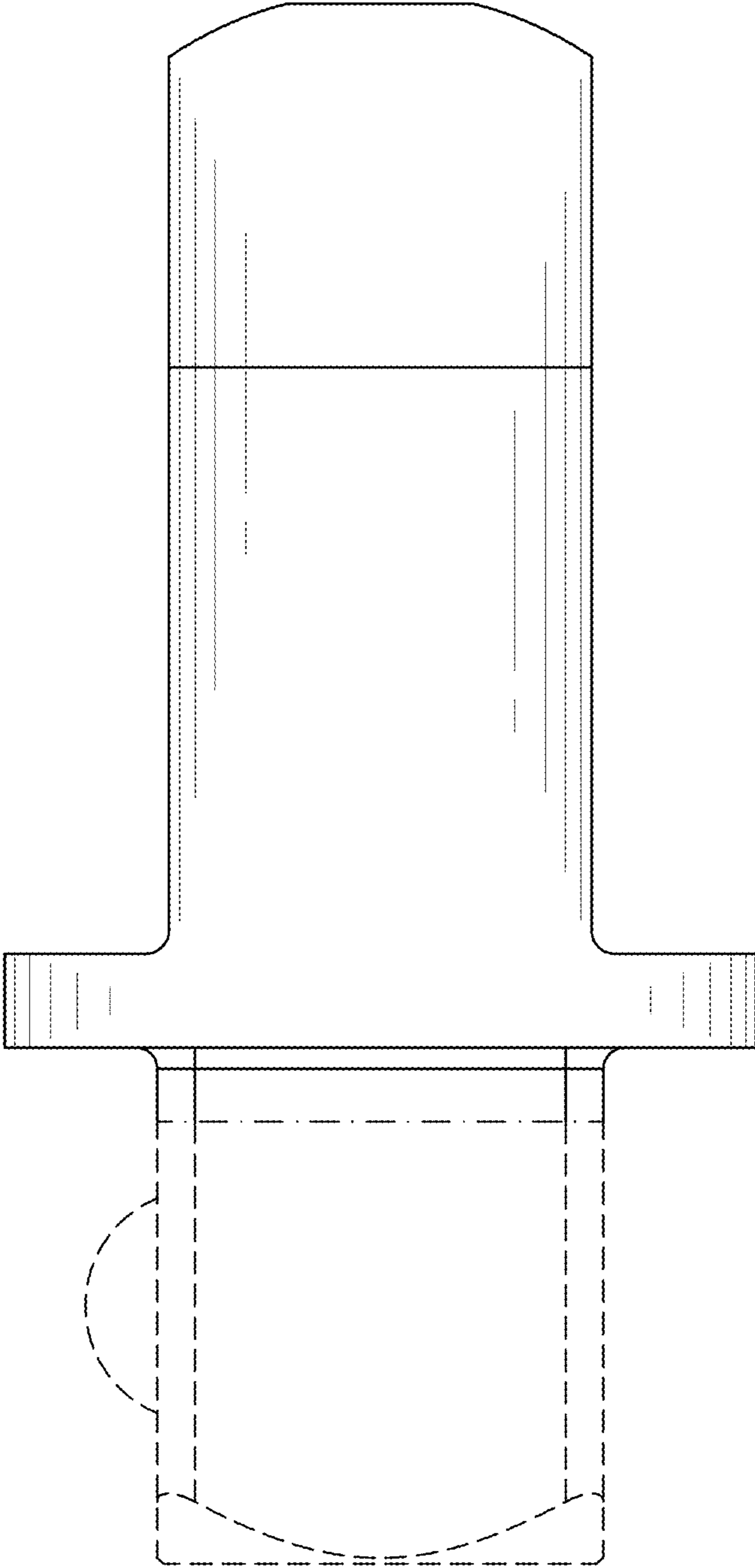


FIG.5

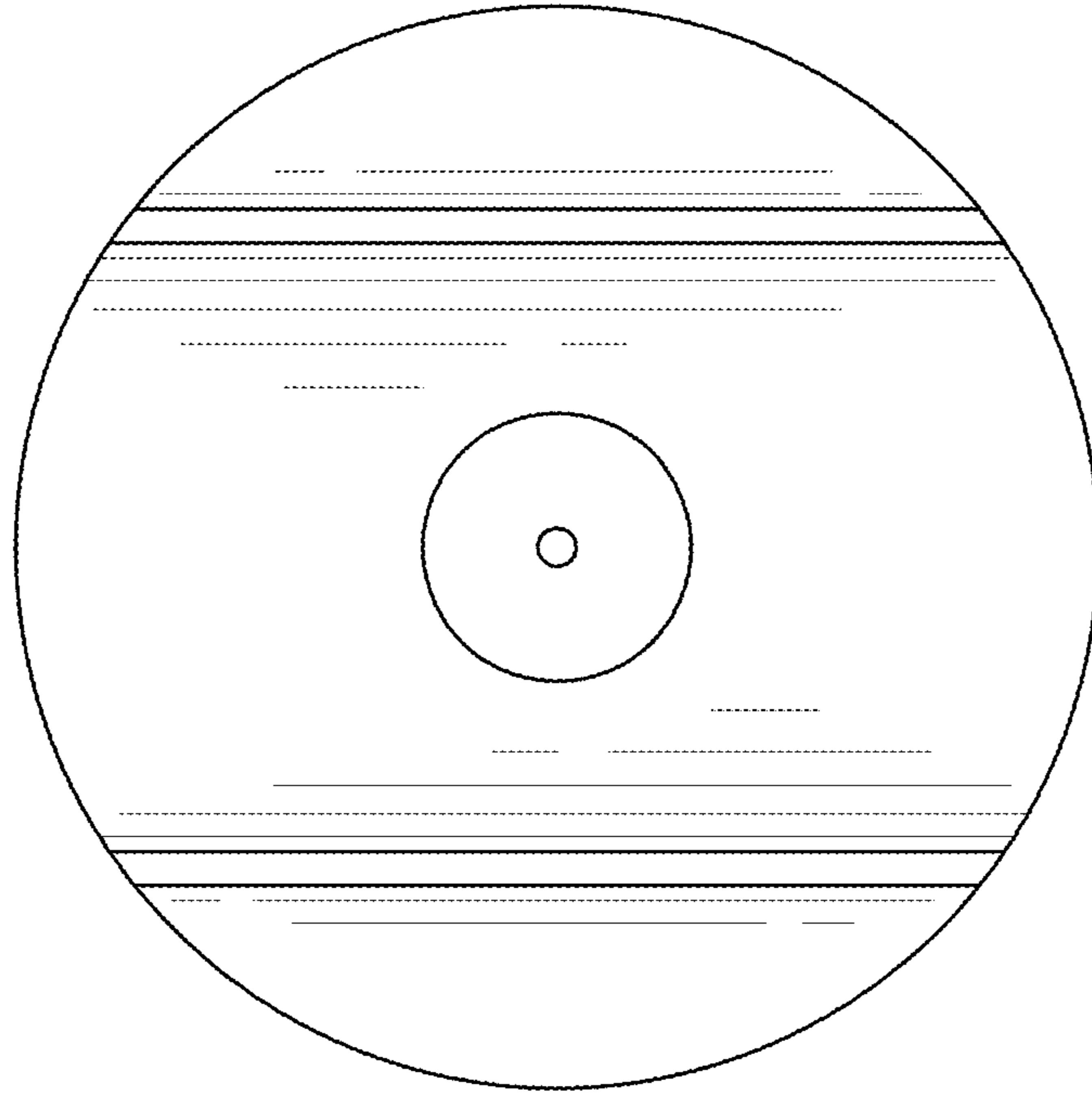


FIG.6

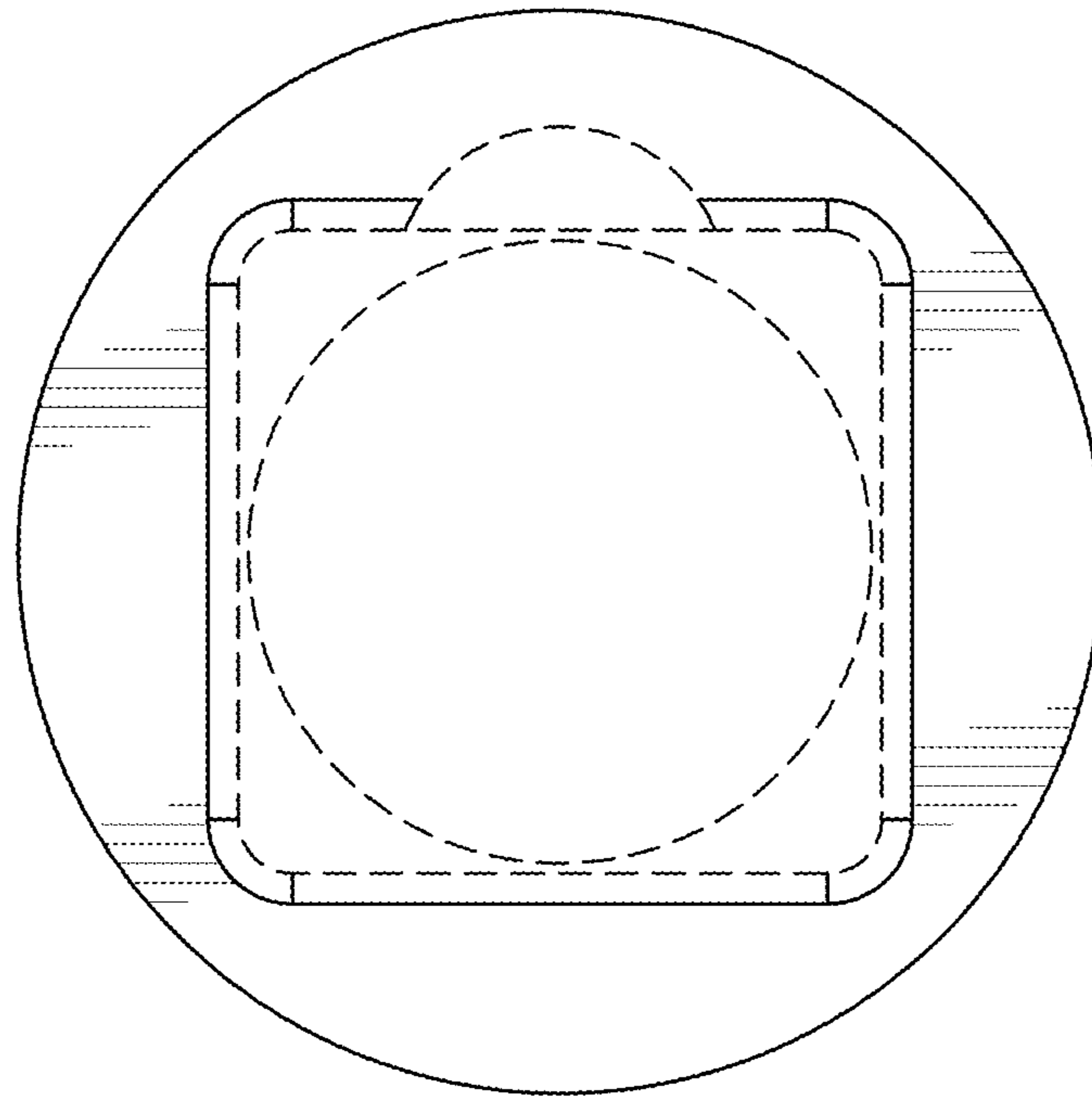


FIG. 7

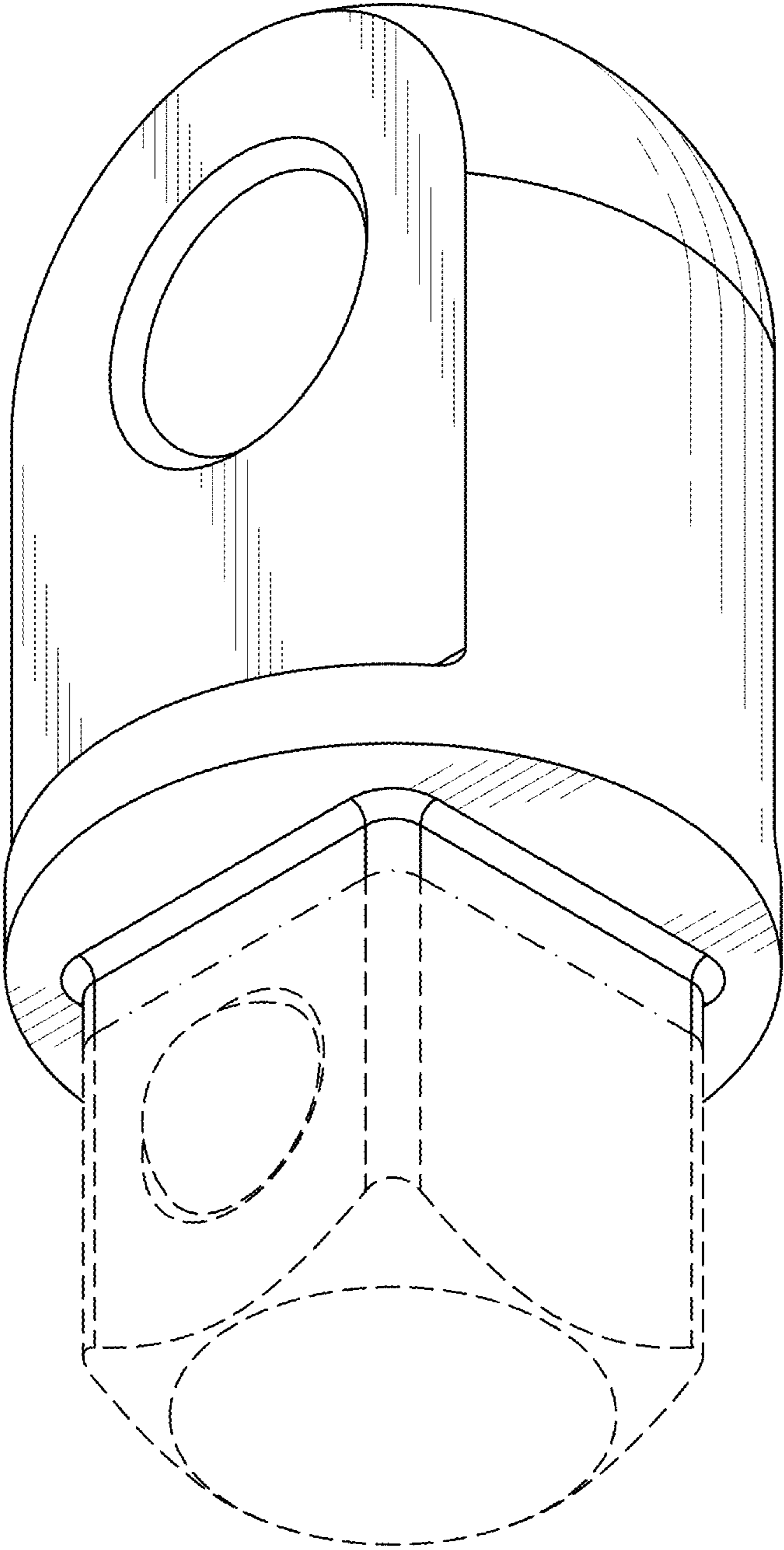


FIG.8

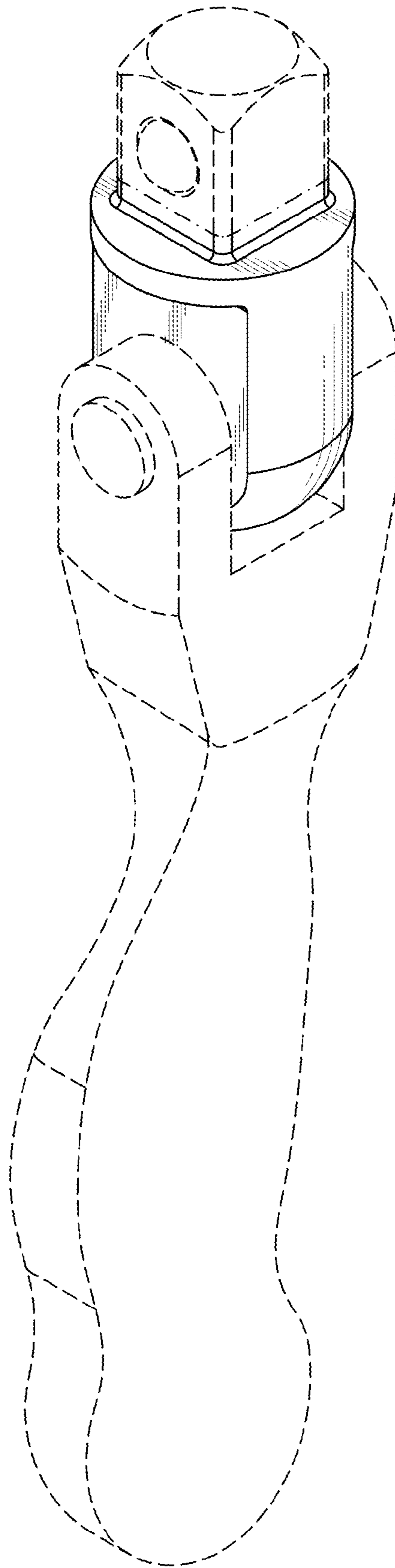


FIG.9