



US00D959941S

(12) **United States Design Patent** (10) **Patent No.:** **US D959,941 S**  
**Fontaine et al.** (45) **Date of Patent:** **\*\* Aug. 9, 2022**

(54) **ICE MELT SHAKER**  
(71) Applicant: **Chapin Manufacturing, Inc.**, Batavia, NY (US)  
(72) Inventors: **James R. Fontaine**, Marilla, NY (US); **James V. Dillon**, Batavia, NY (US)  
(73) Assignee: **Chapin Manufacturing, Inc.**, Batavia, NY (US)  
(\*\*) Term: **15 Years**

D548,086 S 8/2007 Conway et al.  
D570,222 S 6/2008 Flanagan-Kent et al.  
7,384,182 B2 \* 6/2008 Bhavnani ..... A47J 43/085  
366/314  
D604,103 S \* 11/2009 Alviar ..... D7/533  
D606,808 S \* 12/2009 Germann ..... D7/533  
D609,970 S \* 2/2010 Richau ..... D7/533  
D619,419 S \* 7/2010 McClellan ..... D7/509  
D625,562 S \* 10/2010 McClellan ..... D7/509  
D628,439 S \* 12/2010 LeVere ..... D7/901  
D659,474 S \* 5/2012 Wahl ..... D7/510  
D682,608 S \* 5/2013 Audette ..... D7/392  
D701,737 S \* 4/2014 Poitras ..... D8/2  
D732,958 S \* 6/2015 Peneda ..... D9/449

(Continued)

(21) Appl. No.: **29/758,979**  
(22) Filed: **Nov. 19, 2020**  
(51) **LOC (13) Cl.** ..... **08-05**  
(52) **U.S. Cl.**  
USPC ..... **D8/14; D7/510; D8/2**  
(58) **Field of Classification Search**  
USPC ..... D8/2, 14; D7/507, 509, 510, 511;  
D9/447, 449, 450  
CPC ..... A47G 19/22; A47G 19/2288; A47G  
19/2205; A47G 2019/2277; A45F 3/20;  
A47J 41/02  
See application file for complete search history.

**OTHER PUBLICATIONS**

amazon.com Spot Spreader Hand Spreader Shaker for Seed, Slat, De-Icer, Ice melt, Reviewed Dec. 12, 2018.\*

*Primary Examiner* — Philip S Hyder  
(74) *Attorney, Agent, or Firm* — Woods Oviatt Gilman LLP; Katherine H. McGuire, Esq.

(57) **CLAIM**

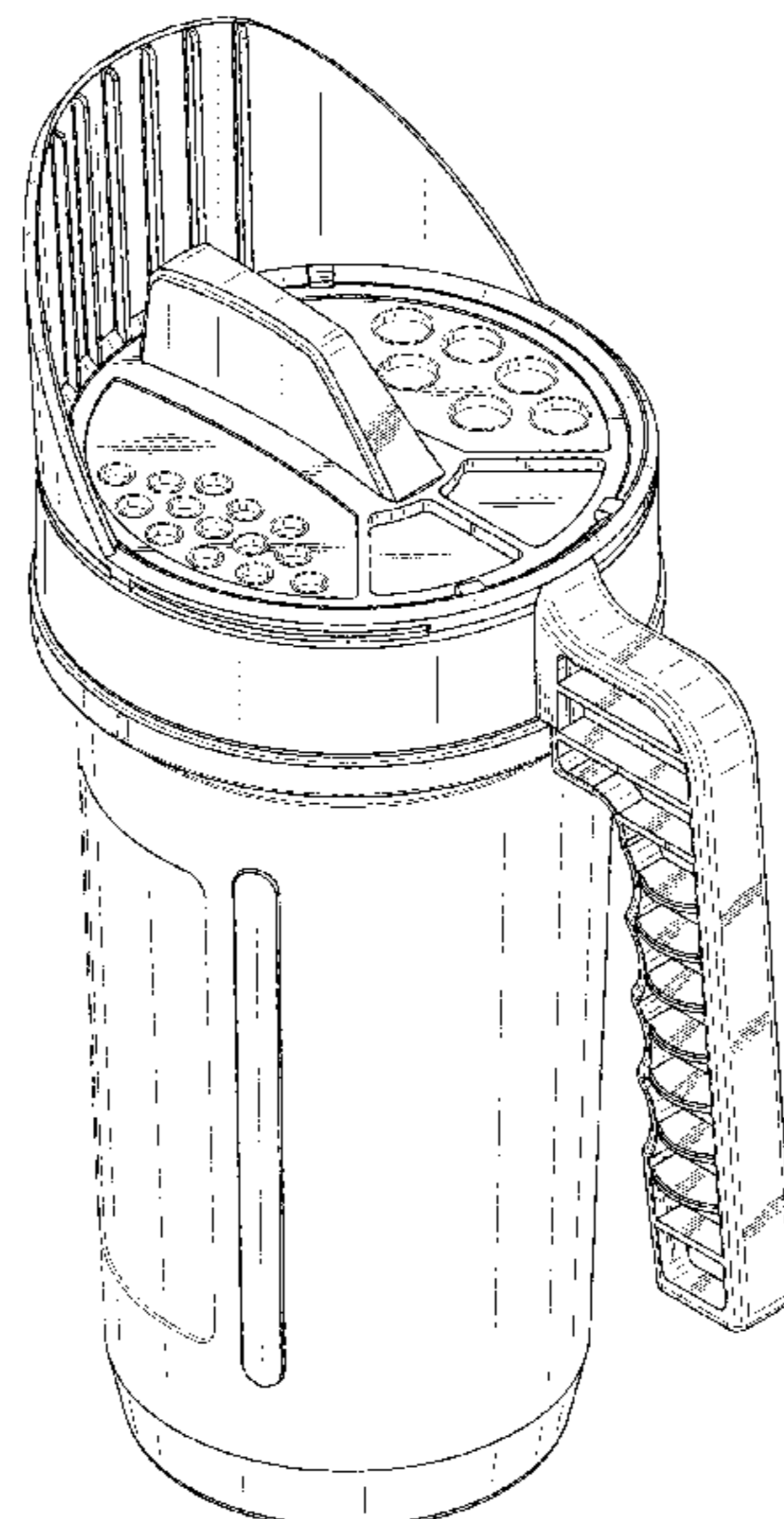
The ornamental design for the ice melt shaker, as shown and described.

**DESCRIPTION**

FIG. 1 is a perspective view of an ice melt shaker, showing our new design.  
FIG. 2 is a side elevational view thereof, the opposite side being a mirror image;  
FIG. 3 is a top plan view thereof;  
FIG. 4 is a bottom plan view thereof;  
FIG. 5 is a front elevational view thereof; and,  
FIG. 6 is a rear elevational view thereof.  
The broken lines depict portions of the ice melt shaker in which the design is embodied that are not considered part of the claimed design.

**1 Claim, 5 Drawing Sheets**

(56) **References Cited**  
**U.S. PATENT DOCUMENTS**  
2,511,560 A 6/1950 Bechmann  
2,645,382 A 7/1953 Plough  
3,303,973 A 2/1967 Dootson  
3,836,051 A \* 9/1974 Schmechel ..... B65D 83/06  
222/565  
4,120,432 A 10/1978 Fuchs  
5,180,080 A 1/1993 Geschwender  
D381,903 S 8/1997 Zimmer et al.  
D428,769 S \* 8/2000 Mensch ..... D7/533  
D451,398 S 12/2001 Manderfield, Jr. et al.  
D493,068 S \* 7/2004 Slater ..... D7/533  
D539,609 S \* 4/2007 Ying ..... D7/533  
D541,105 S \* 4/2007 Jin ..... D7/533



(56)

**References Cited**

U.S. PATENT DOCUMENTS

D869,283 S \* 12/2019 Groglopo Favetto ..... D9/551  
2002/0008120 A1 \* 1/2002 McNally ..... E01C 19/2025  
222/410  
2007/0012730 A1 1/2007 Pailthorp  
2007/0084886 A1 4/2007 Broen et al.

\* cited by examiner

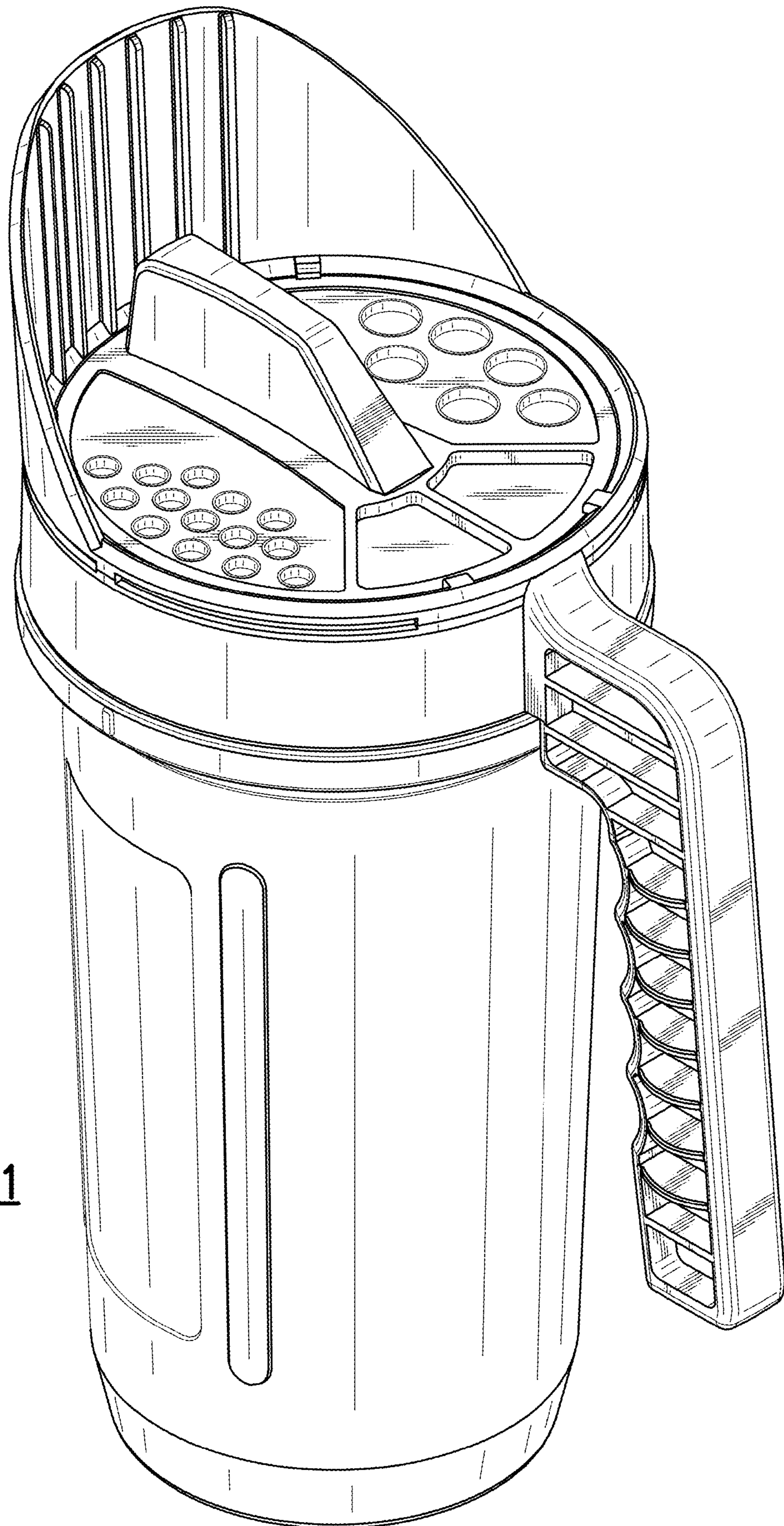


FIG. 1

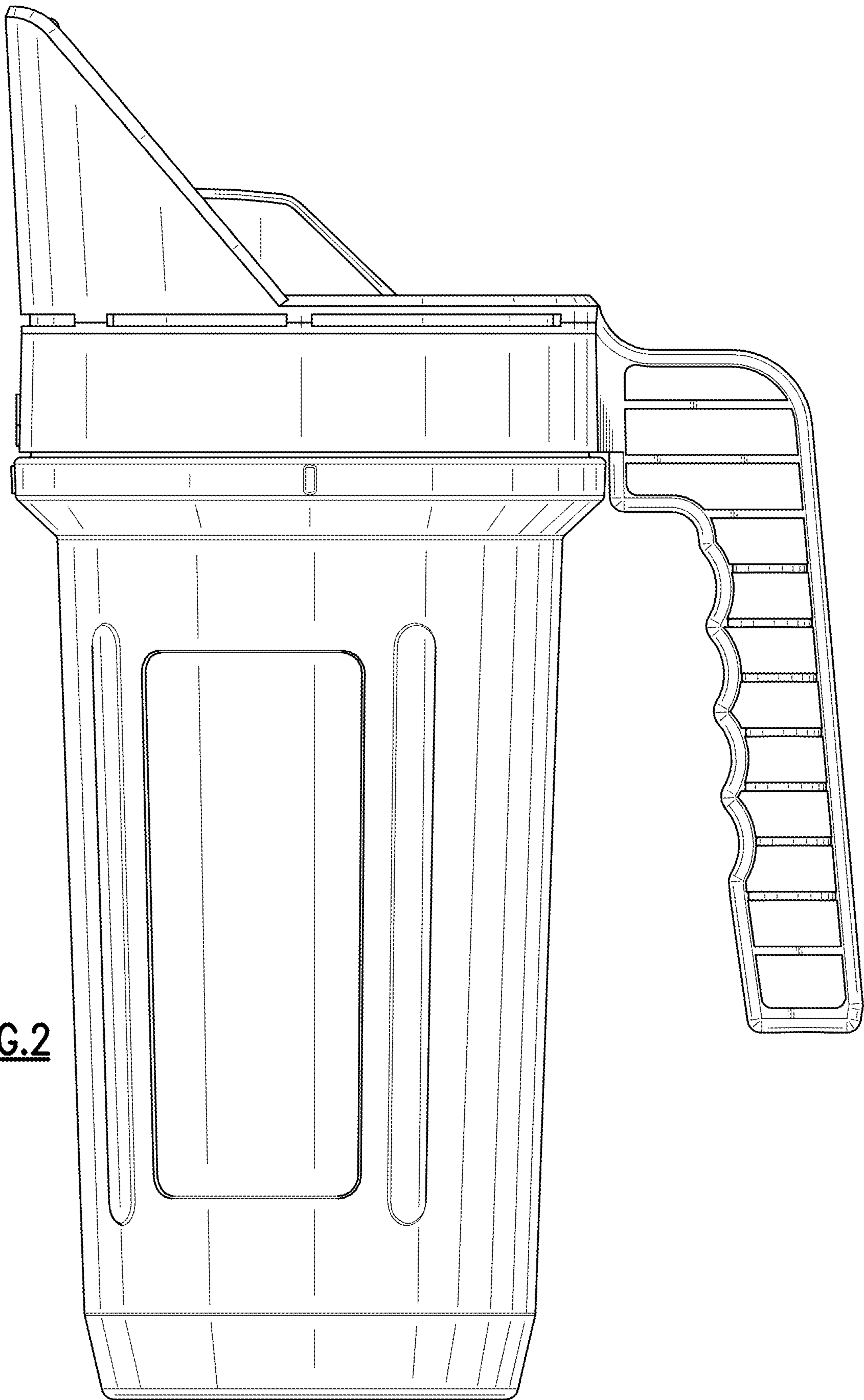


FIG.2

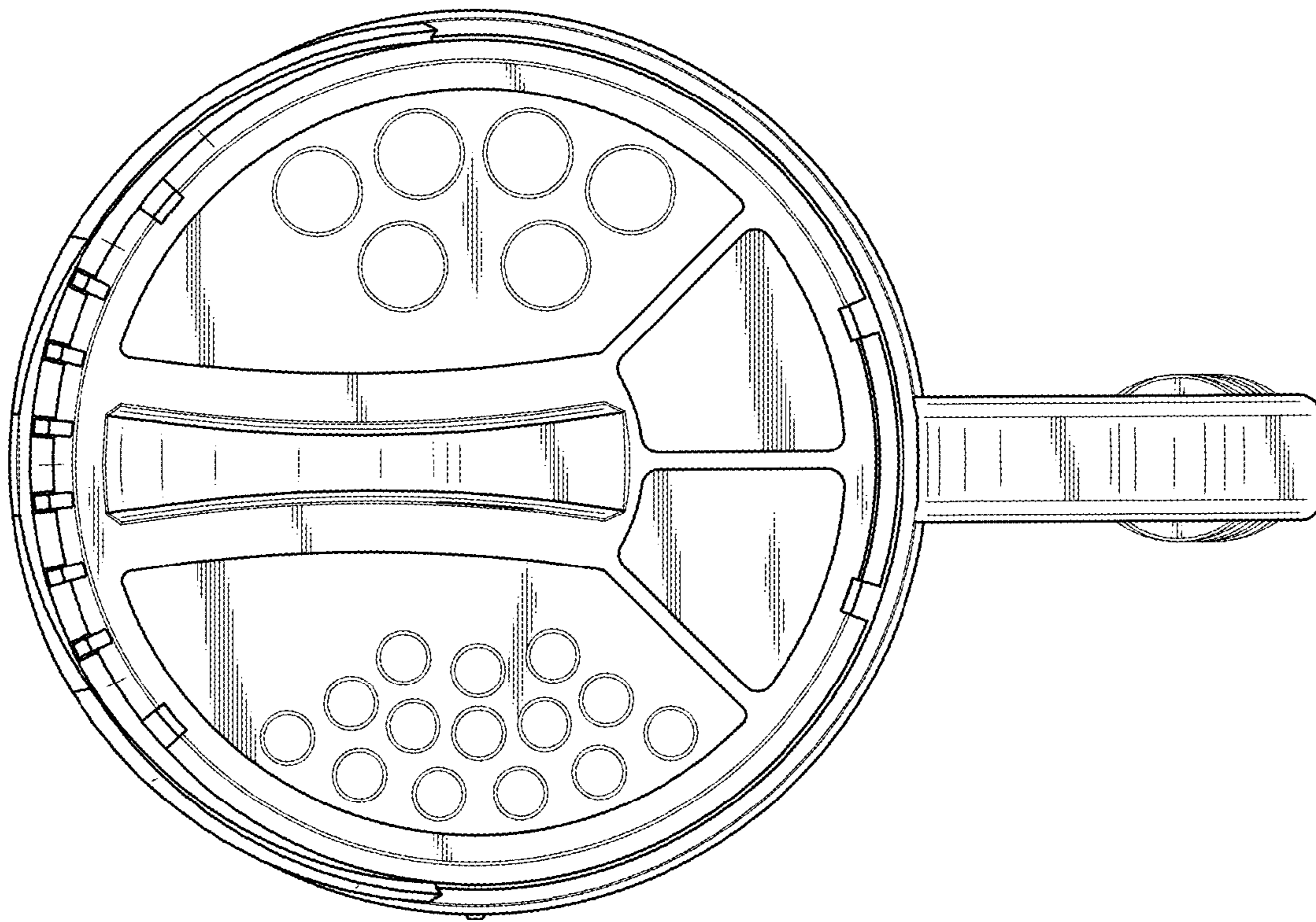


FIG. 3

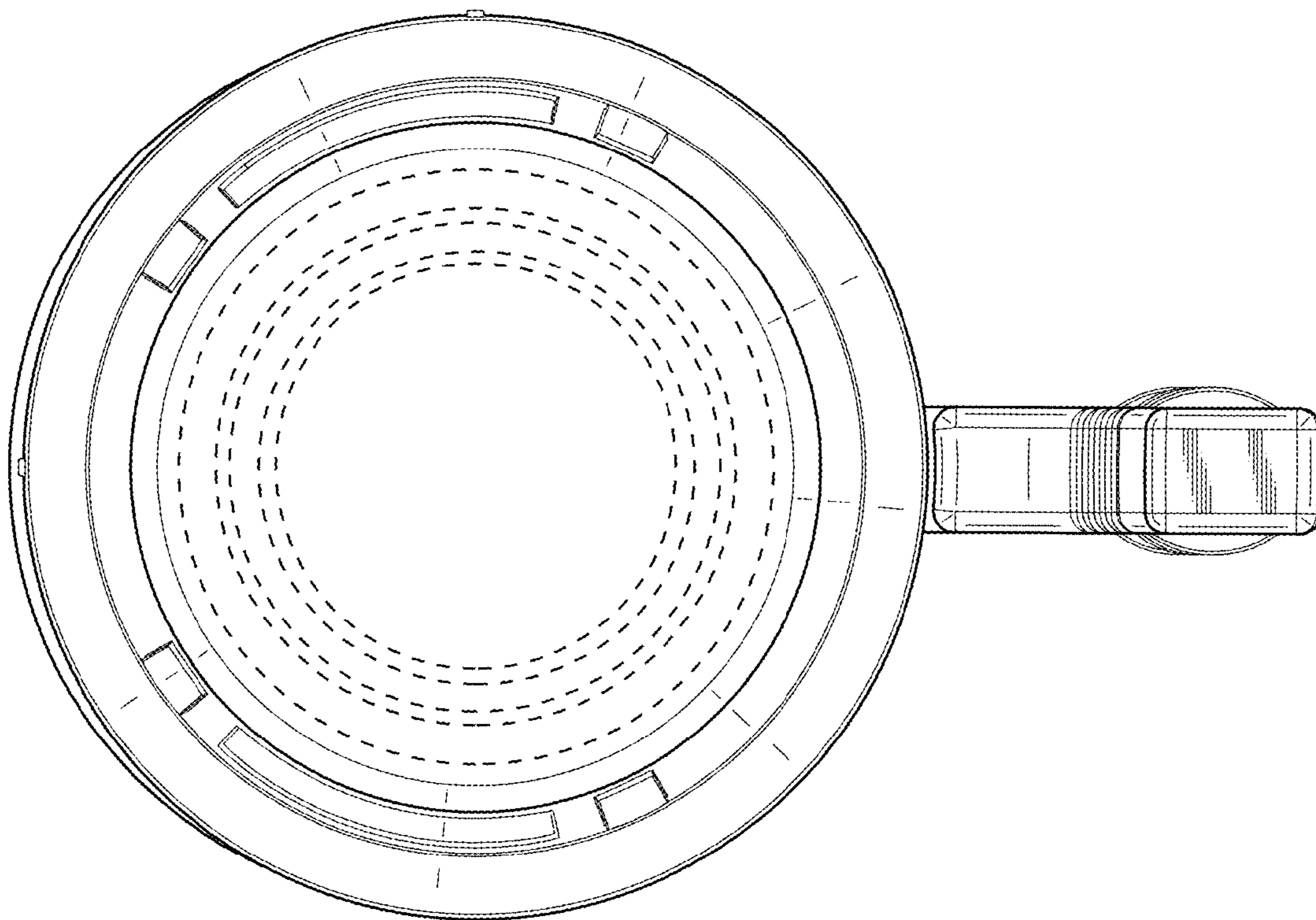


FIG. 4

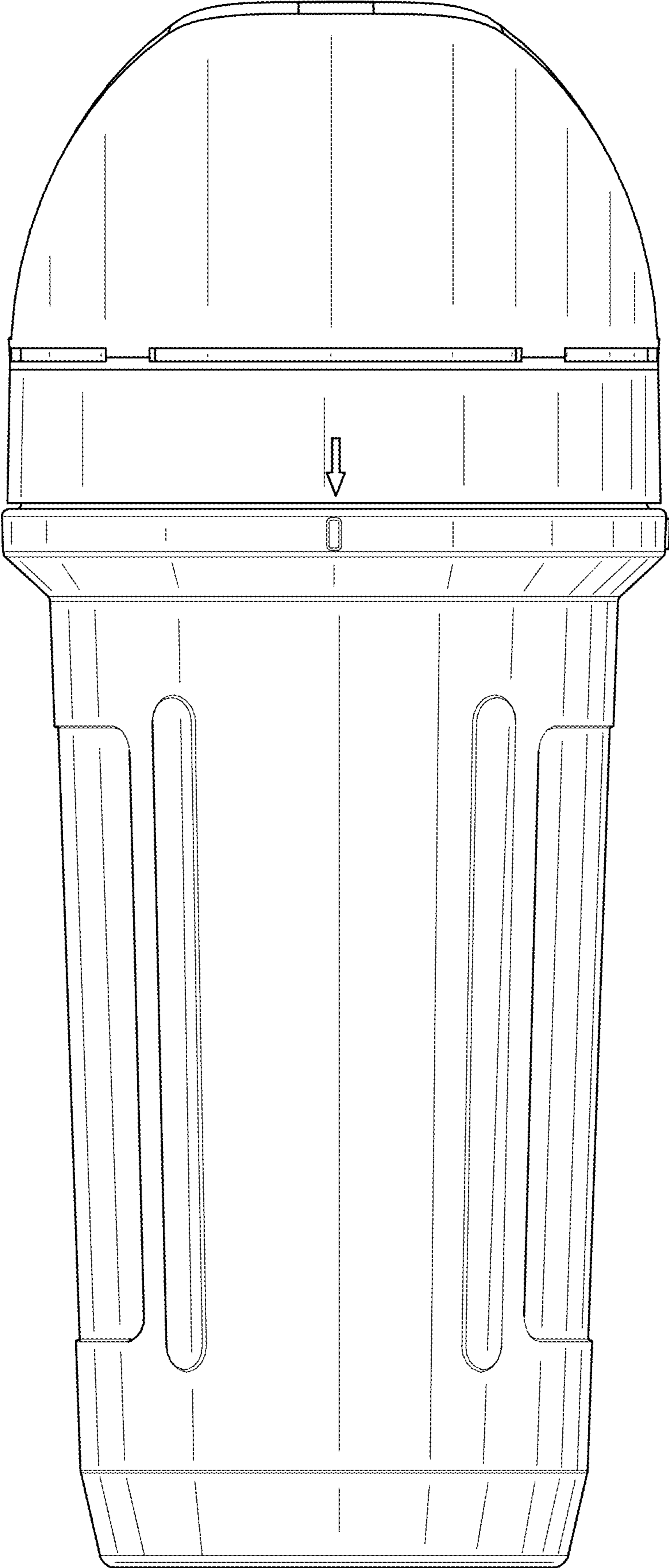


FIG. 5

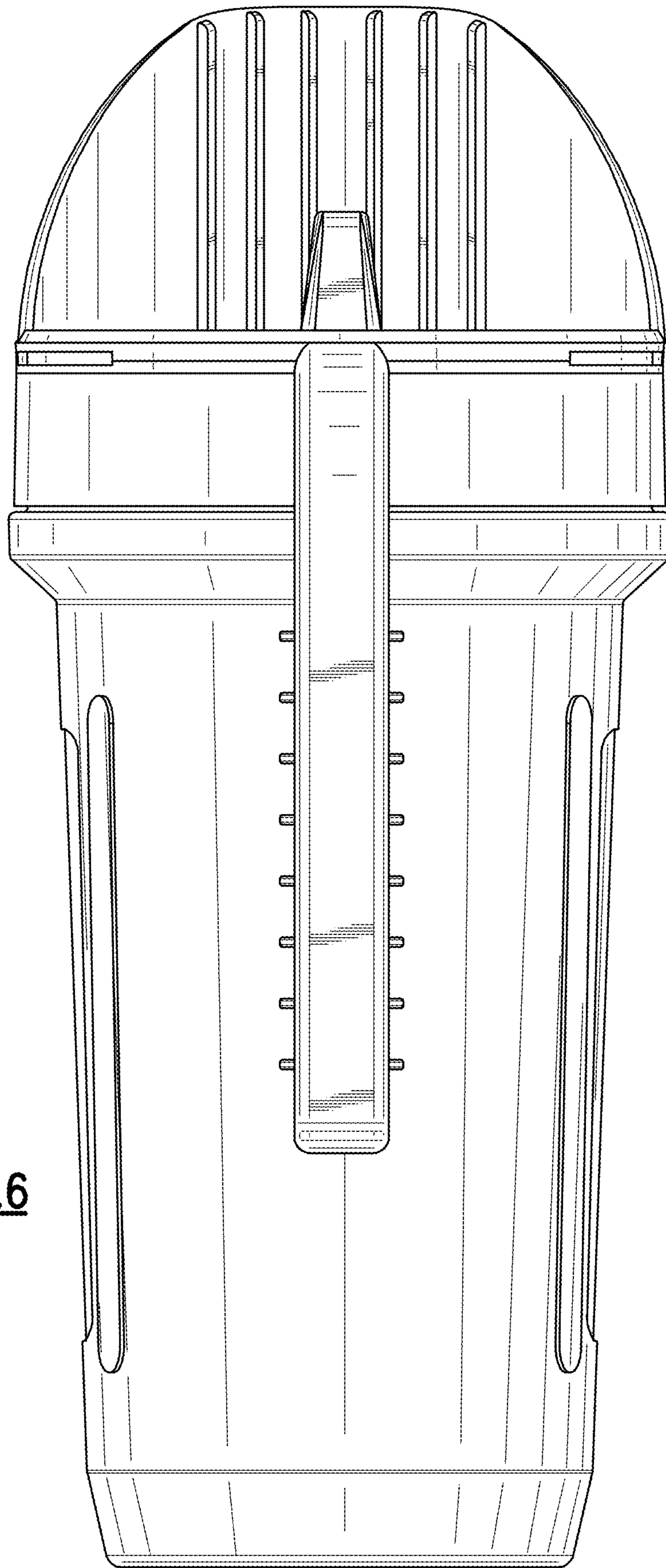


FIG.6