



US00D959939S

(12) **United States Design Patent** (10) **Patent No.:** **US D959,939 S**
Xu (45) **Date of Patent:** **** Aug. 9, 2022**

(54) **HAIR SCISSORS**
(71) Applicant: **Kai Xu**, Jiangsu (CN)
(72) Inventor: **Kai Xu**, Jiangsu (CN)
(73) Assignee: **Zhangjiagang Tanlu Shark Tool Co., Ltd.**, Zhangjiagang (CN)
(**) Term: **15 Years**
(21) Appl. No.: **29/753,079**
(22) Filed: **Sep. 30, 2020**
(51) **LOC (13) Cl.** **08-03**
(52) **U.S. Cl.**
USPC **D8/5; D8/57**
(58) **Field of Classification Search**
USPC D8/73, 394, 72, 382, 57, 93, 5, 51-53,
D8/105, 107; D24/148, 149, 231;
D7/693; D30/158; D22/150; D28/55
CPC B25C 11/02; B25C 11/00; A61B 17/076;
A61B 17/03
See application file for complete search history.

D816,450 S * 5/2018 Breuer D8/57
D835,957 S * 12/2018 Chang D8/57
D860,743 S * 9/2019 Chang D8/57
D873,102 S * 1/2020 Ryu D8/53
D933,439 S * 10/2021 Wu D8/57

FOREIGN PATENT DOCUMENTS

CN 307039946 * 12/2021
CN 307123779 * 2/2022
TW 217163-0001 * 2/2022

OTHER PUBLICATIONS

Dynasty Iris, Google.com, [online], [site visited Mar. 10, 2022], Available from internet URL: <https://www.scissormall.com/economical-professional-quality-hair-cutting-shears/dynasty-iris-economical-floral-hair-cutting-shear> (Year: NA).*
Paragon II, Google.com, [online], [site visited Mar. 10, 2022], Available from internet URL: <https://arcscissors.com/products/paragon-ii?variant=39428689657958> (Year: NA).*

* cited by examiner

Primary Examiner — Susan Bennett Hattan
Assistant Examiner — Rozita Mozaffarian

(57) **CLAIM**

The ornamental design for a hair scissors, as shown and described.

DESCRIPTION

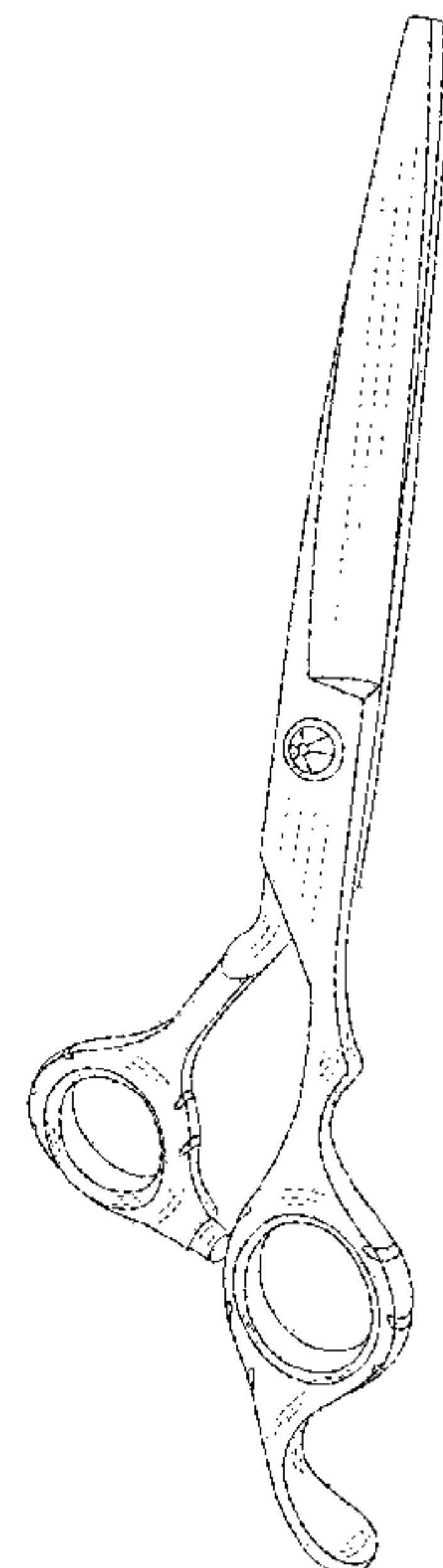
FIG. 1 is a perspective view of a hair scissors showing my new design;
FIG. 2 is a front elevation view thereof;
FIG. 3 is a rear elevation view thereof;
FIG. 4 is a left side elevation view thereof;
FIG. 5 is a right side elevation view thereof;
FIG. 6 is a top plan view thereof; and,
FIG. 7 is a bottom plan view thereof.

1 Claim, 7 Drawing Sheets

(56) **References Cited**

U.S. PATENT DOCUMENTS

D280,019 S * 8/1985 Meyer D8/48
D502,070 S * 2/2005 Ferman B26B 13/12
D8/56
D503,077 S * 3/2005 Welsh D8/57
D526,880 S * 8/2006 Ferman D8/56
D593,871 S * 6/2009 Schmidt D9/721
D670,379 S * 11/2012 D’Lima D24/133
D670,380 S * 11/2012 Sapalev D24/133
D678,742 S * 3/2013 Iwasaki D8/57
D680,838 S * 4/2013 Bhasin D8/57
D680,842 S * 4/2013 Bhasin D8/57
D753,974 S * 4/2016 Chang D8/57
D773,268 S * 12/2016 Usman D8/57



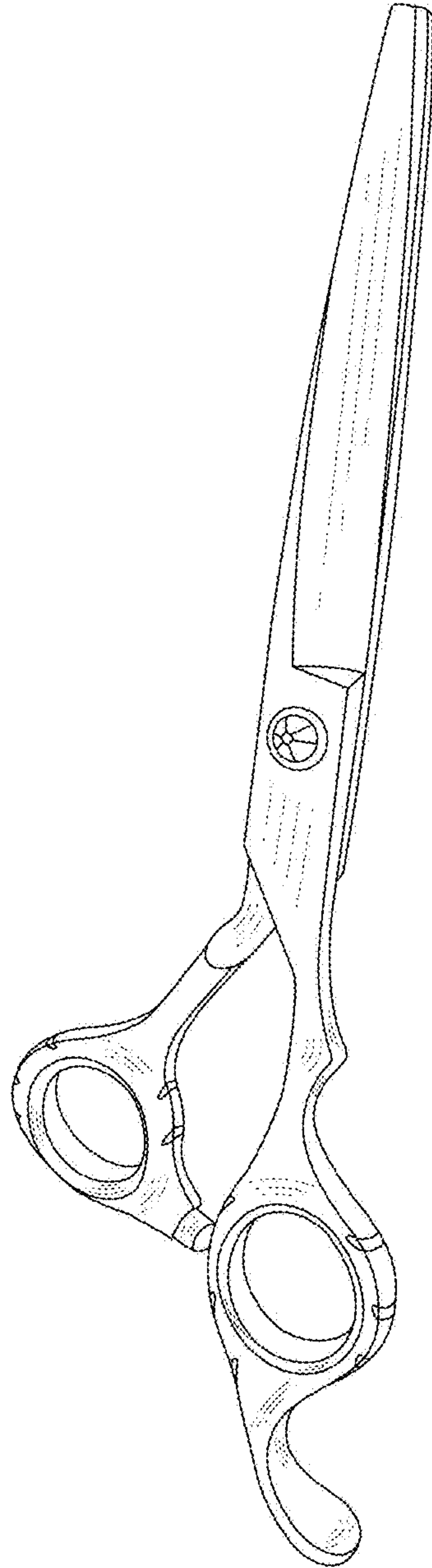


FIG.1

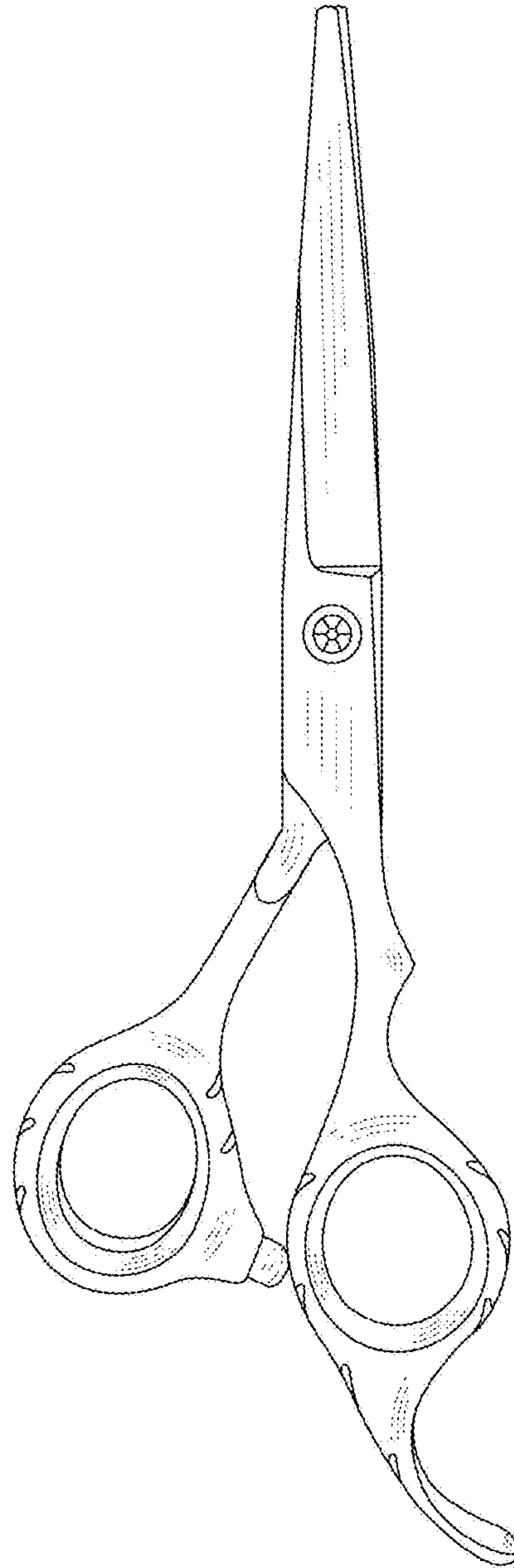


FIG.2

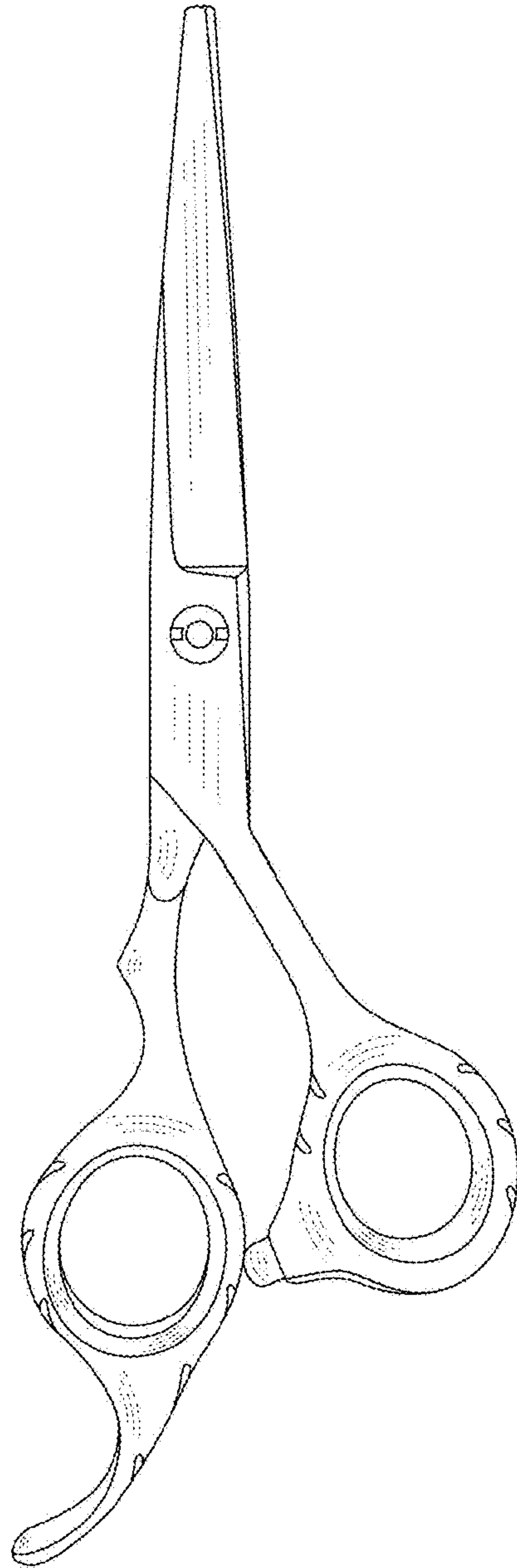


FIG.3

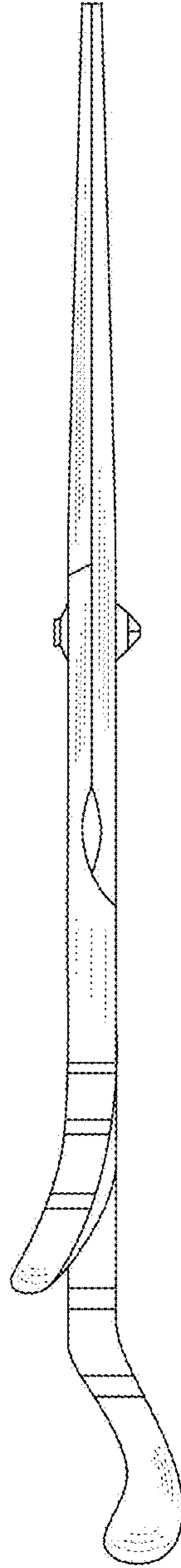


FIG.4

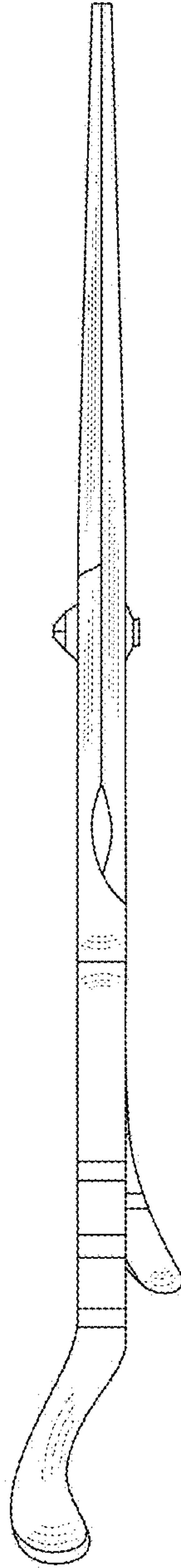


FIG.5

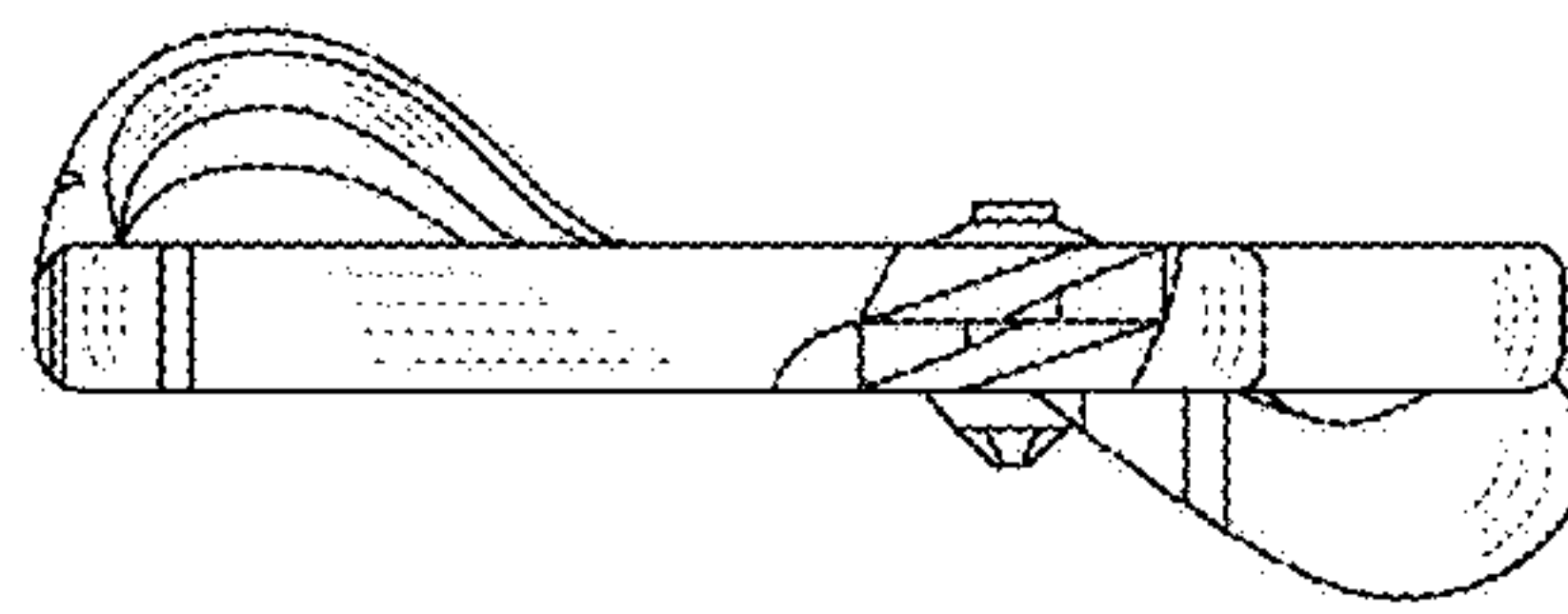


FIG.6

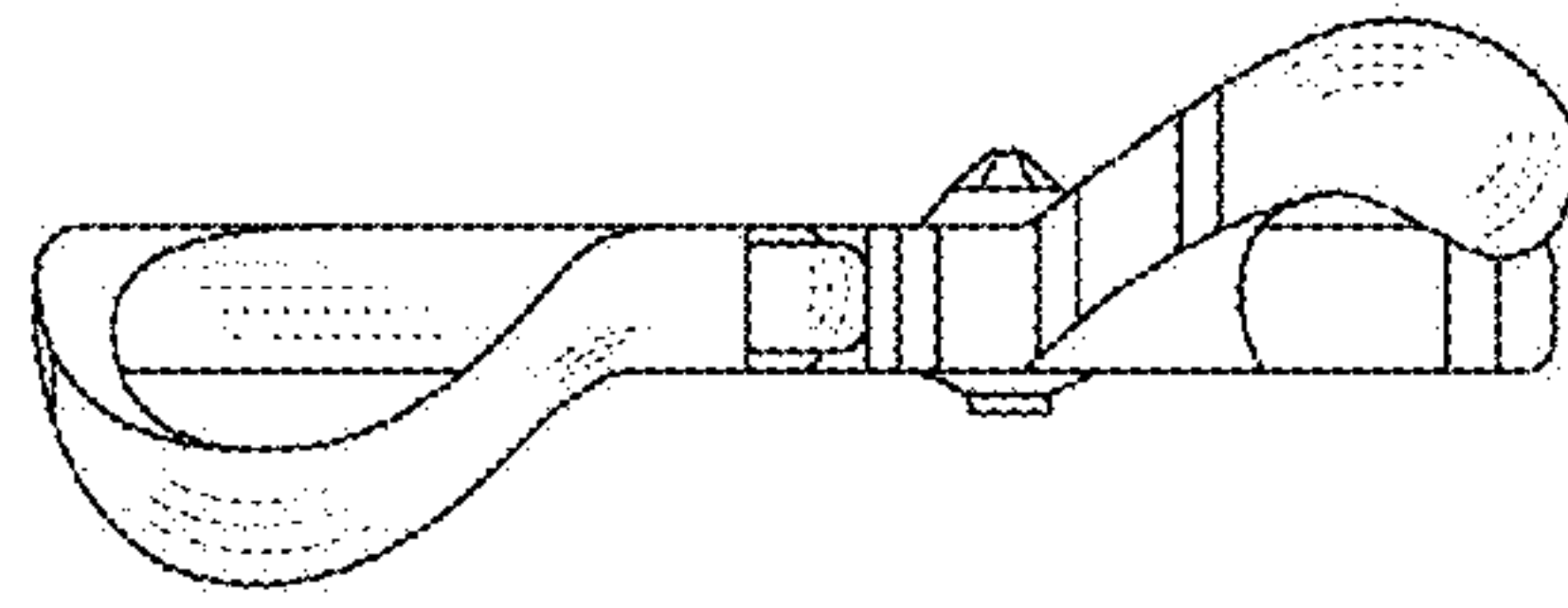


FIG. 7