



US00D959938S

(12) **United States Design Patent**  
**Lyytikäinen et al.**

(10) **Patent No.:** **US D959,938 S**  
(45) **Date of Patent:** **\*\* Aug. 9, 2022**

(54) **PRUNER**  
(71) Applicant: **Fiskars Finland Oy Ab**, Helsinki (FI)  
(72) Inventors: **Sami Lyytikäinen**, Helsinki (FI); **Kari Kunnas**, Helsinki (FI)  
(73) Assignee: **FISKARS FINLAND OY AB**, Helsinki (FI)

5,426,857 A 6/1995 Linden  
D377,588 S 1/1997 Birkholz  
D396,615 S 8/1998 Spear  
D426,755 S 6/2000 Wu  
D457,040 S 5/2002 Hirschfeld  
D458,094 S 6/2002 Clivio  
D458,815 S 6/2002 Meyerratken  
(Continued)

(\*\*) Term: **15 Years**  
(21) Appl. No.: **29/715,367**  
(22) Filed: **Dec. 2, 2019**

**OTHER PUBLICATIONS**

U.S. Appl. No. 29/710,921, filed Oct. 28, 2019, Weber et al.  
(Continued)

(30) **Foreign Application Priority Data**  
Sep. 24, 2019 (EM) ..... 006913117  
(51) **LOC (13) Cl.** ..... **08-03**  
(52) **U.S. Cl.**  
USPC ..... **D8/5**  
(58) **Field of Classification Search**  
USPC ..... D8/4, 5, 7, 51, 52, 57  
CPC ..... A01G 2003/005; A01G 2/35; A01G 3/02;  
A01G 3/065; A01G 3/021; A01G  
2003/023; B26B 13/26; B26B 13/28;  
B26B 13/285; B26B 13/16; B25B 7/14  
See application file for complete search history.

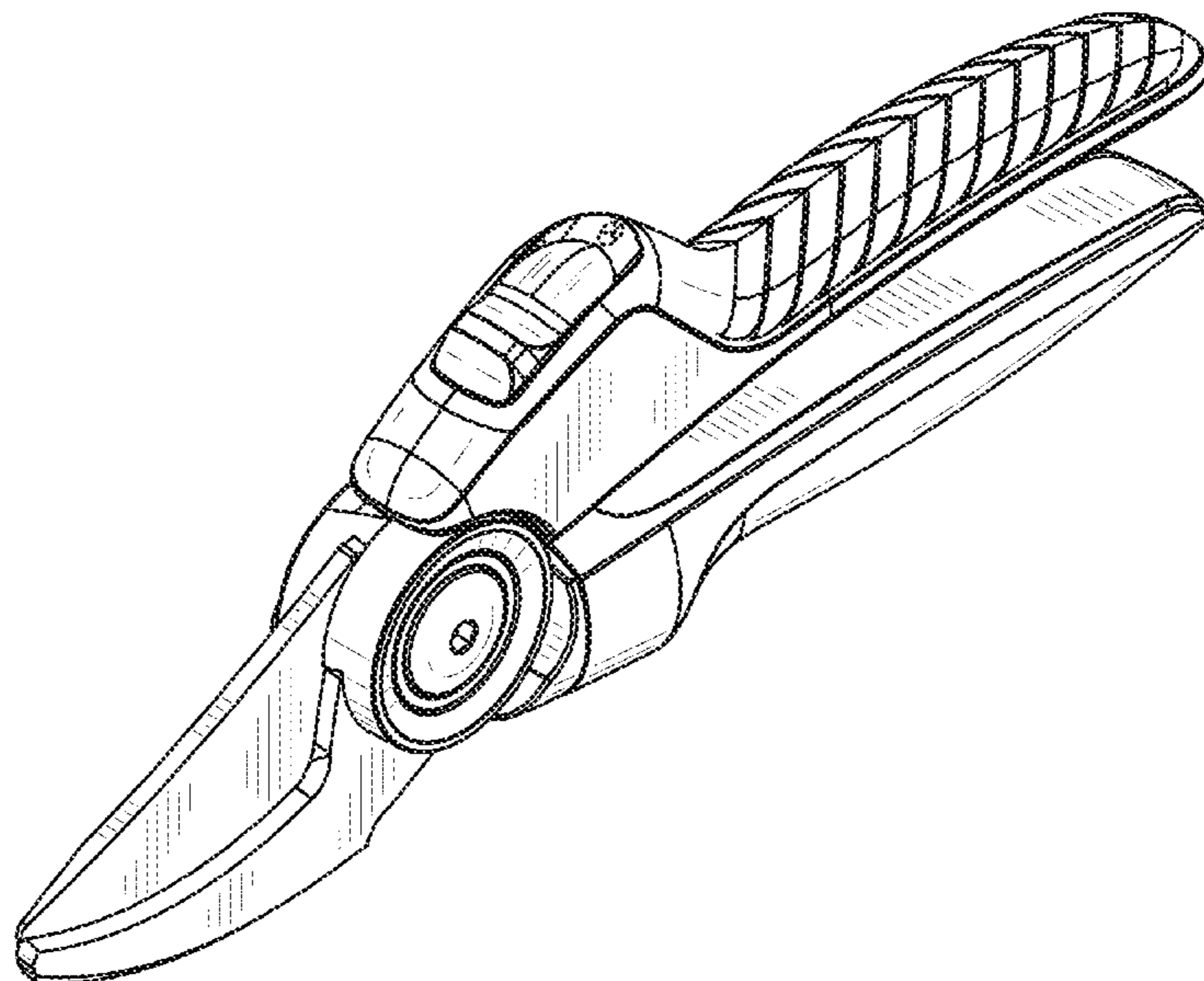
*Primary Examiner* — Sheryl Lane  
*Assistant Examiner* — Ieisha N Price  
(74) *Attorney, Agent, or Firm* — Leason Ellis LLP

(56) **References Cited**  
**U.S. PATENT DOCUMENTS**  
4,073,059 A 2/1978 Wallace et al.  
4,079,513 A 3/1978 Harrison  
4,268,963 A 5/1981 Harrison  
4,341,016 A 7/1982 Harrison et al.  
5,058,277 A 10/1991 Kishimoto  
D336,412 S 6/1993 Wensley  
D337,033 S \* 7/1993 DeVille ..... D8/5  
5,367,774 A 11/1994 Labarre et al.  
D353,524 S \* 12/1994 Her ..... D8/5

(57) **CLAIM**  
The ornamental design for a pruner, as shown and described.

**DESCRIPTION**  
FIG. 1 is a top plan view of our pruner according to our new design;  
FIG. 2 is a left side view thereof;  
FIG. 3 is a right side view thereof;  
FIG. 4 is a bottom, left side, rear perspective view thereof;  
FIG. 5 is a bottom, left side, front perspective view thereof;  
FIG. 6 is a top, left side, rear perspective view thereof;  
FIG. 7 is a top, left side, front perspective view thereof;  
FIG. 8 is a front view thereof;  
FIG. 9 is a bottom plan view thereof; and,  
FIG. 10 is a rear view thereof.  
The broken lines in the drawings illustrate portions of the pruner and form no part of the claimed design.  
Conventional shading is illustrated for purposes of highlighting the line drawings, but forms no part of the claimed design.

**1 Claim, 10 Drawing Sheets**



(56)

References Cited

U.S. PATENT DOCUMENTS

D458,816 S 6/2002 Meyerratken  
 6,418,626 B1\* 7/2002 Jang ..... A01G 3/02  
 30/254  
 D463,227 S 9/2002 Choi  
 D472,433 S 4/2003 Richwine  
 6,757,979 B1\* 7/2004 Schneider ..... A01G 3/02  
 30/175  
 D496,838 S 10/2004 Tomchak  
 6,829,828 B1 12/2004 Cech et al.  
 D501,379 S 2/2005 Lipscomb et al.  
 D503,595 S 4/2005 Lipscomb et al.  
 D506,906 S 7/2005 Su  
 D509,115 S 9/2005 Wu  
 D547,140 S 7/2007 Shan  
 D557,086 S 12/2007 Lipscomb et al.  
 D567,601 S 4/2008 Klecker  
 D576,011 S 9/2008 Lipscomb et al.  
 D585,250 S 1/2009 Lee  
 D585,251 S 1/2009 Lee  
 D628,031 S 11/2010 Stokes et al.  
 D628,032 S 11/2010 Stokes et al.  
 7,895,757 B1 3/2011 Huang  
 D651,053 S 12/2011 Roberts et al.  
 D651,487 S 1/2012 Roberts et al.  
 D680,829 S 4/2013 Nelson  
 D698,214 S 1/2014 Sade et al.  
 D706,096 S 6/2014 Stokes et al.  
 D706,097 S 6/2014 Lyytikainen et al.  
 D706,590 S 6/2014 Sade et al.  
 D716,114 S 10/2014 Lyytikainen et al.  
 D720,968 S 1/2015 Roberts  
 D750,454 S\* 3/2016 Lambin ..... D8/5  
 D750,455 S 3/2016 Wu  
 9,408,350 B1 8/2016 Wu  
 D765,479 S\* 9/2016 Lambin ..... D8/5  
 D778,694 S 2/2017 Lambin  
 D790,935 S 7/2017 Wu  
 D793,824 S 8/2017 Sokka  
 D802,381 S 11/2017 Wolf  
 D810,524 S 2/2018 Hsu

D815,501 S 4/2018 Huang  
 D818,783 S 5/2018 Wermeille  
 D823,079 S 7/2018 Lyytikainen  
 D827,399 S\* 9/2018 Lyytikainen ..... D8/5  
 D829,516 S 10/2018 Wu  
 10,182,530 B1\* 1/2019 Huang ..... A01G 3/021  
 D859,100 S 9/2019 Wu  
 D875,483 S 2/2020 Roberts et al.  
 2007/0144014 A1\* 6/2007 Toyama ..... B26B 13/16  
 30/254  
 2008/0155835 A1\* 7/2008 Lin ..... A01G 3/02  
 30/252  
 2009/0090010 A1 4/2009 Lin  
 2009/0151170 A1\* 6/2009 Lee ..... A01G 3/02  
 30/252  
 2010/0037470 A1 2/2010 Liu  
 2010/0043238 A1\* 2/2010 Linden ..... A01G 3/02  
 30/251  
 2010/0269356 A1\* 10/2010 Chen ..... B26B 13/16  
 30/232  
 2011/0023309 A1 2/2011 Huang  
 2011/0192035 A1 8/2011 Chen  
 2012/0198705 A1 8/2012 Huang  
 2013/0042486 A1\* 2/2013 Lee ..... A01G 3/02  
 30/249  
 2013/0091713 A1 4/2013 Wu  
 2014/0182142 A1 7/2014 Vantitla  
 2014/0202007 A1 7/2014 Huang  
 2016/0183475 A1 6/2016 Wu  
 2017/0049060 A1 2/2017 Chou  
 2017/0215346 A1 8/2017 Lin  
 2019/0159405 A1\* 5/2019 Jacques ..... A01G 3/0251  
 2019/0261573 A1 8/2019 Wu

OTHER PUBLICATIONS

U.S. Appl. No. 29/710,923, filed Oct. 28, 2019, Roberts et al.  
 U.S. Appl. No. 29/710,926, filed Oct. 28, 2019, Roberts et al.  
 U.S. Appl. No. 29/710,931, filed Oct. 28, 2019, Roberts et al.  
 U.S. Appl. No. 29/710,935, filed Oct. 28, 2019, Roberts et al.

\* cited by examiner

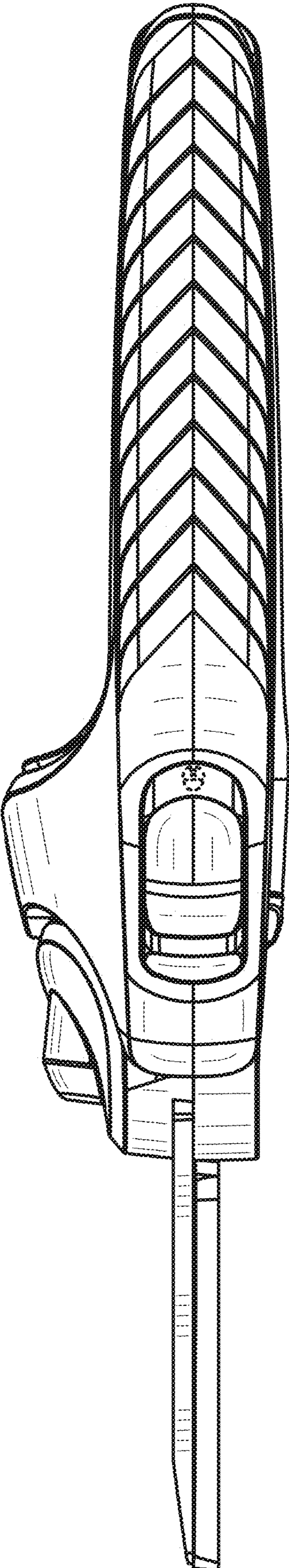


FIG. 1



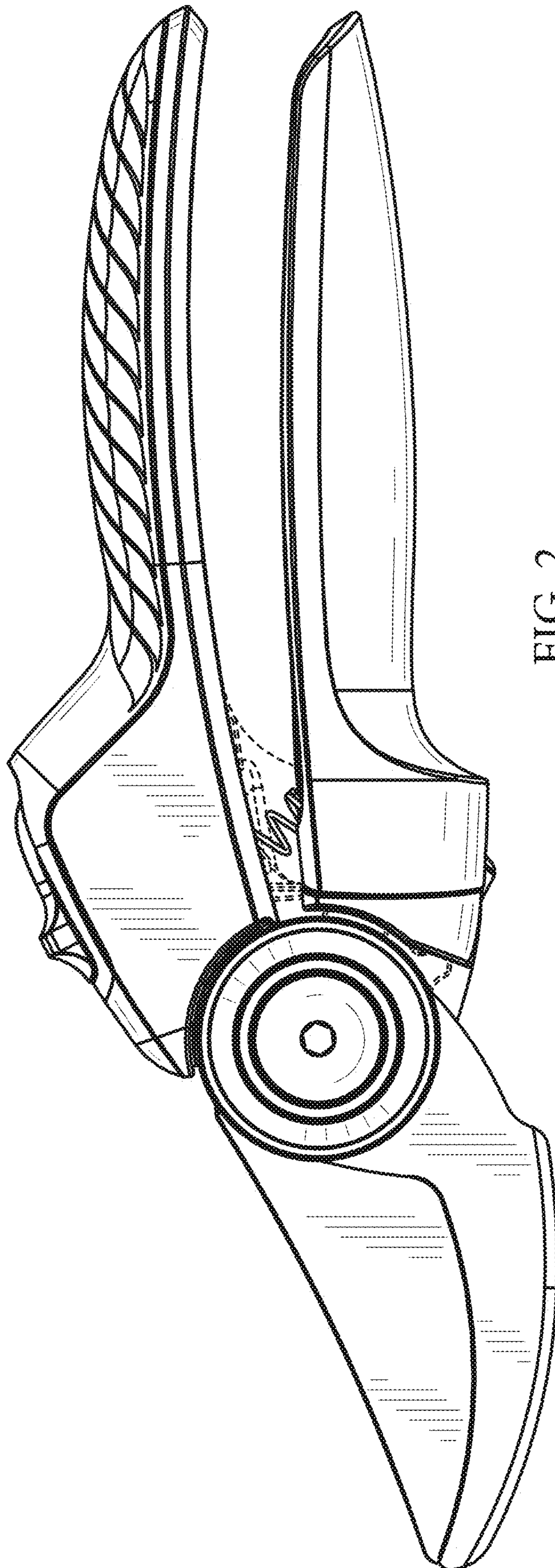


FIG. 2

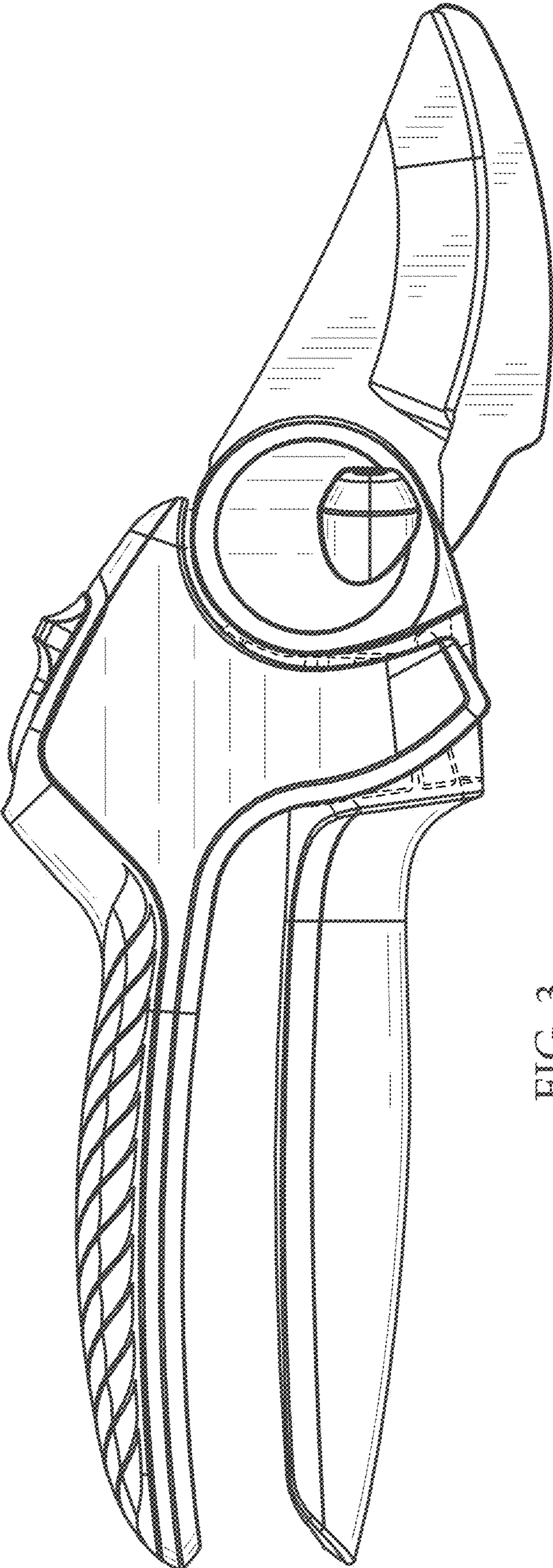


FIG. 3

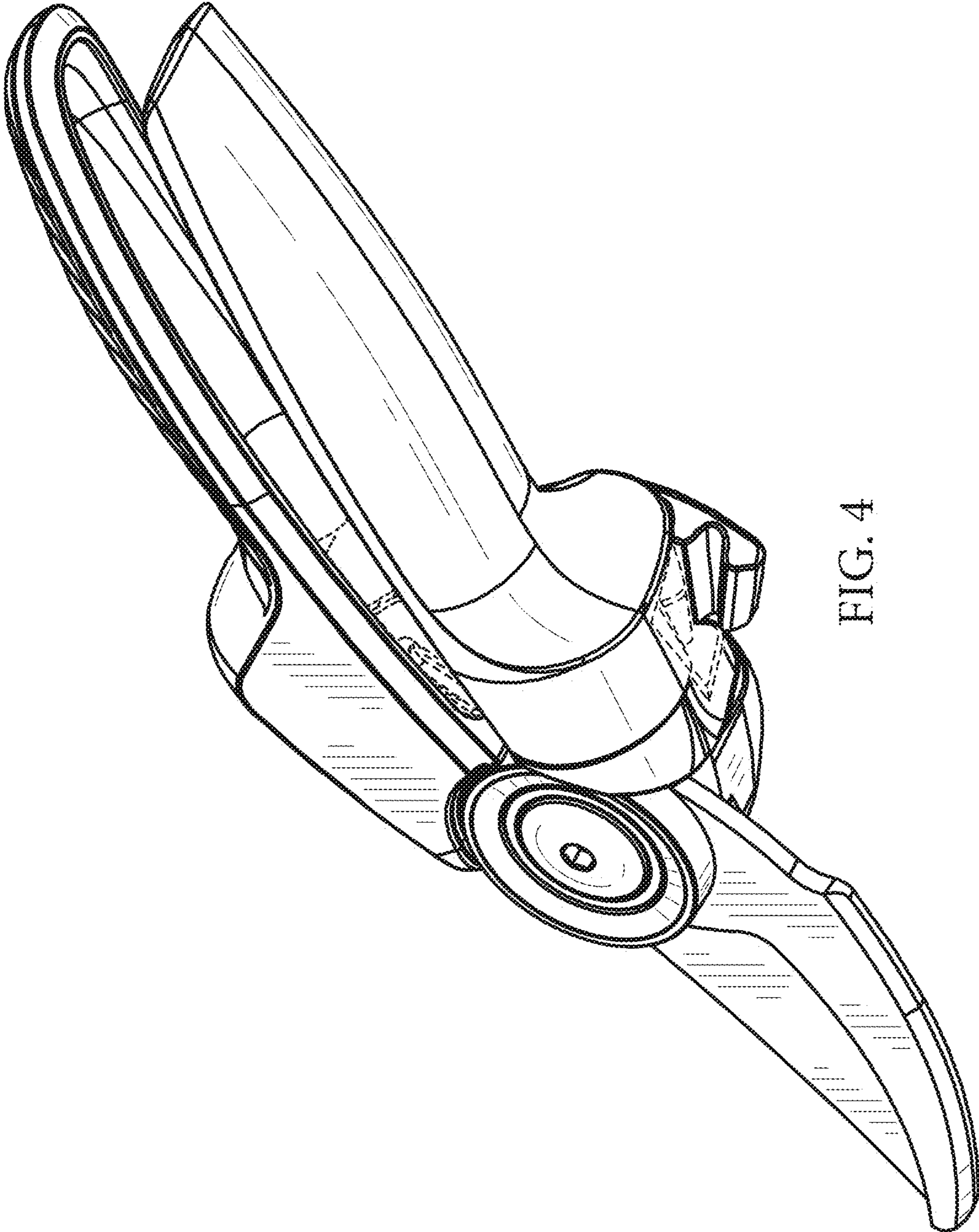


FIG. 4



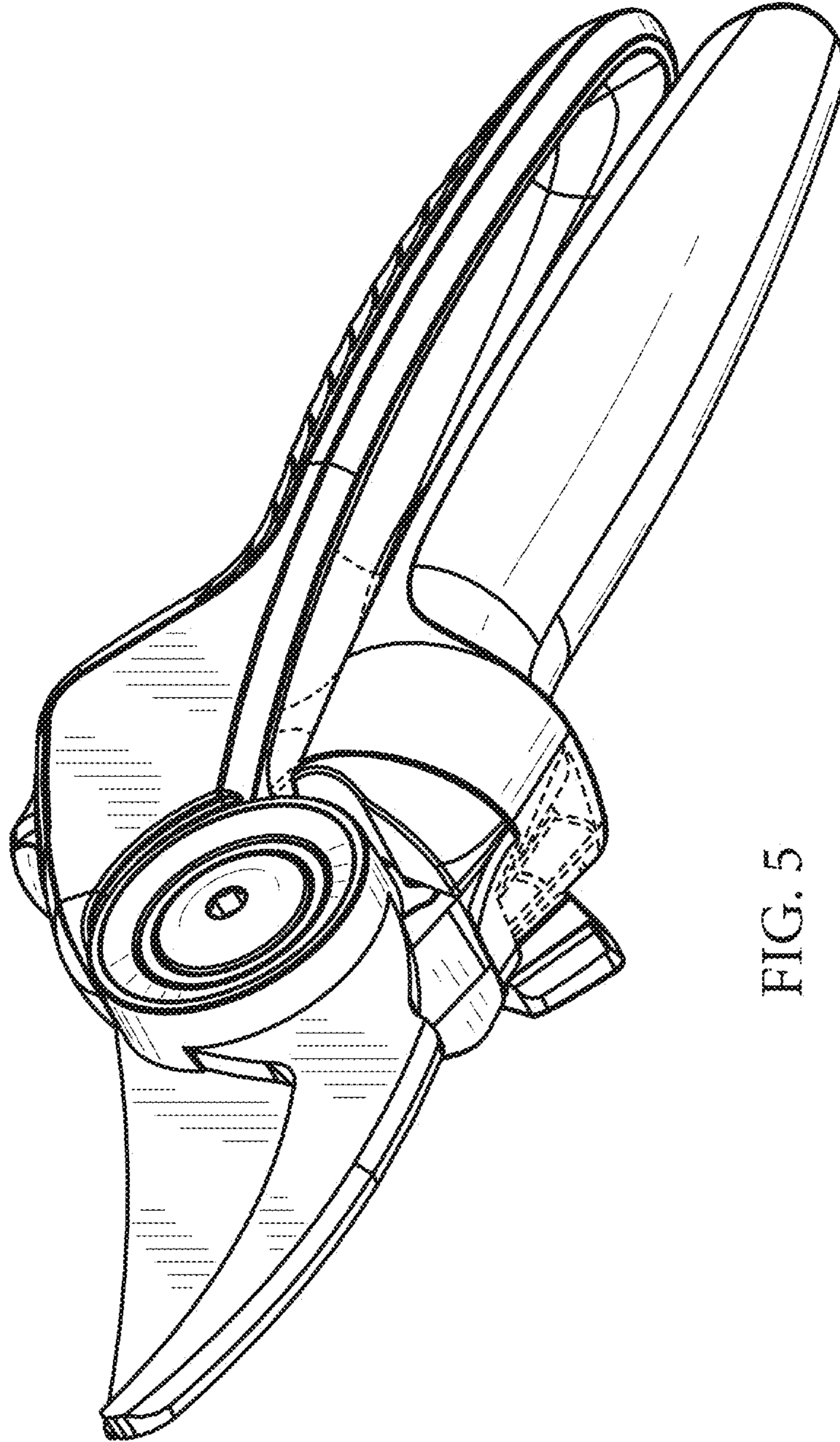


FIG. 5

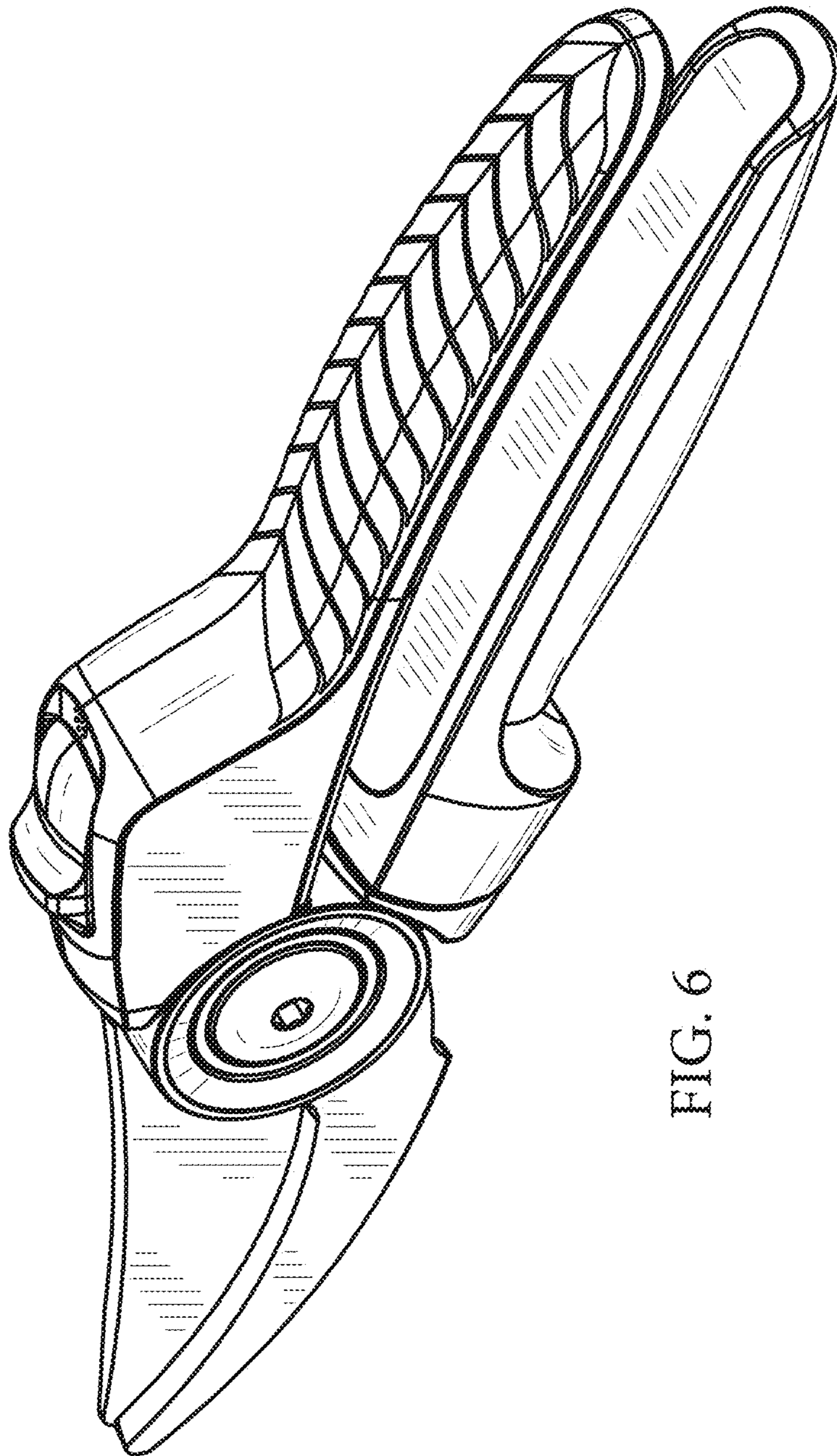


FIG. 6



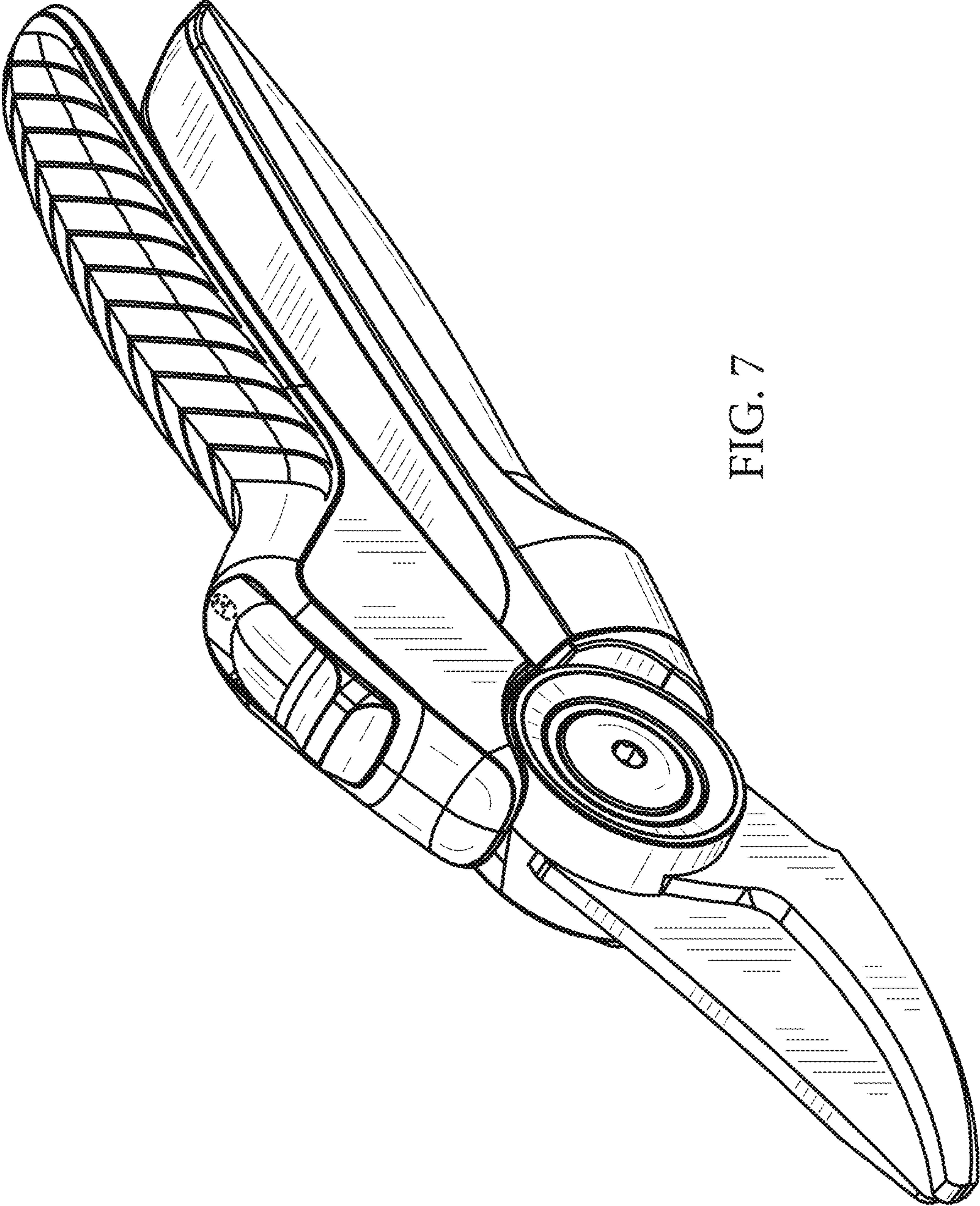


FIG. 7

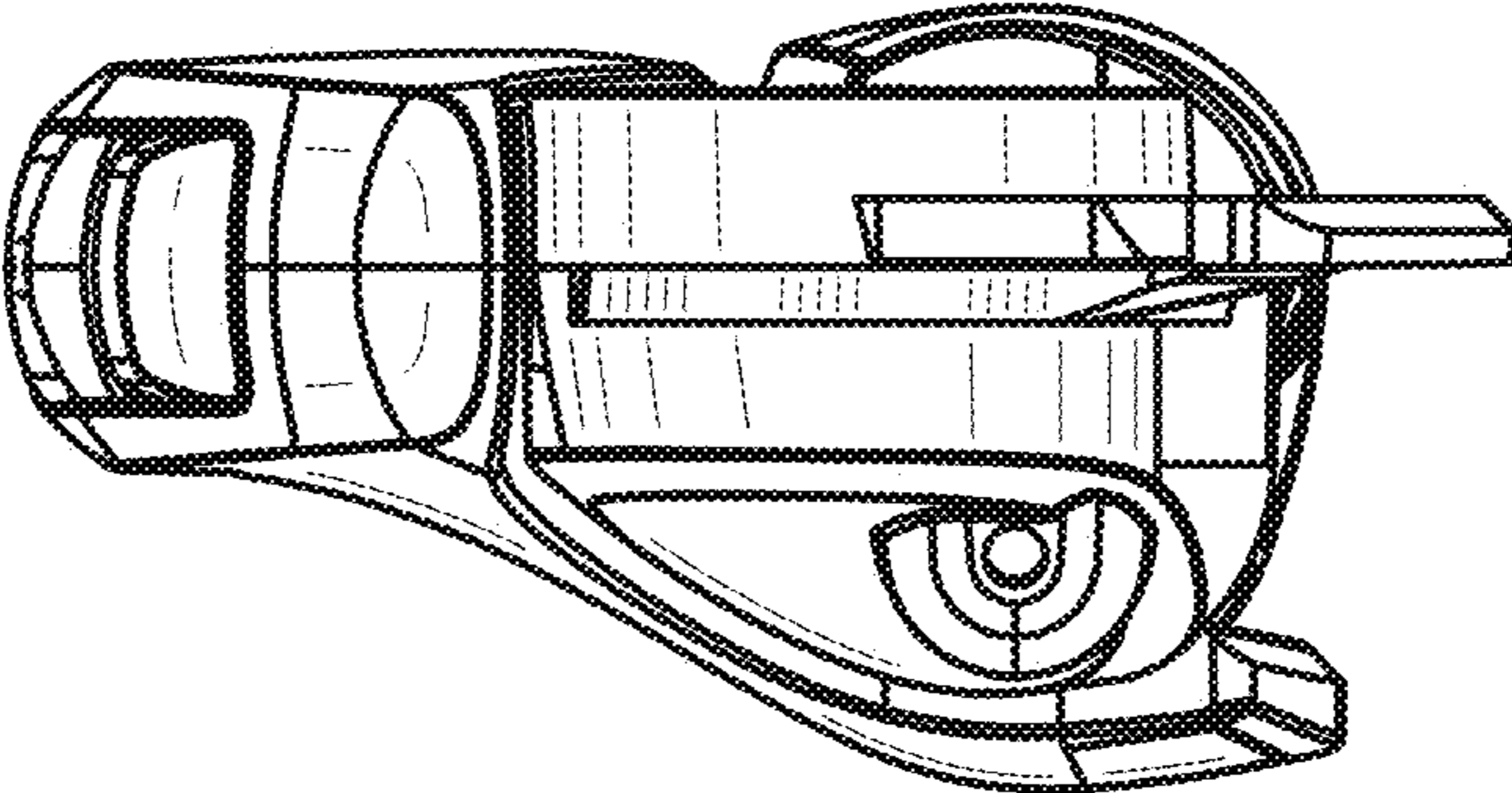


FIG. 8

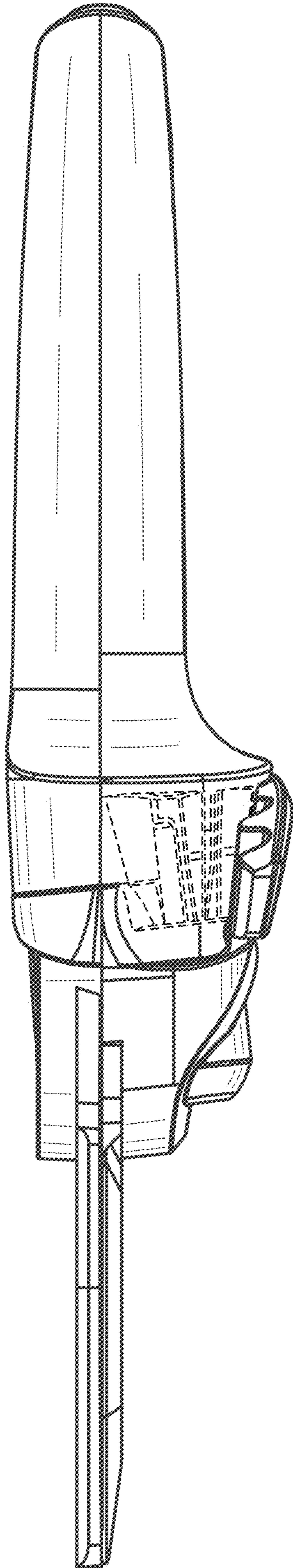


FIG. 9



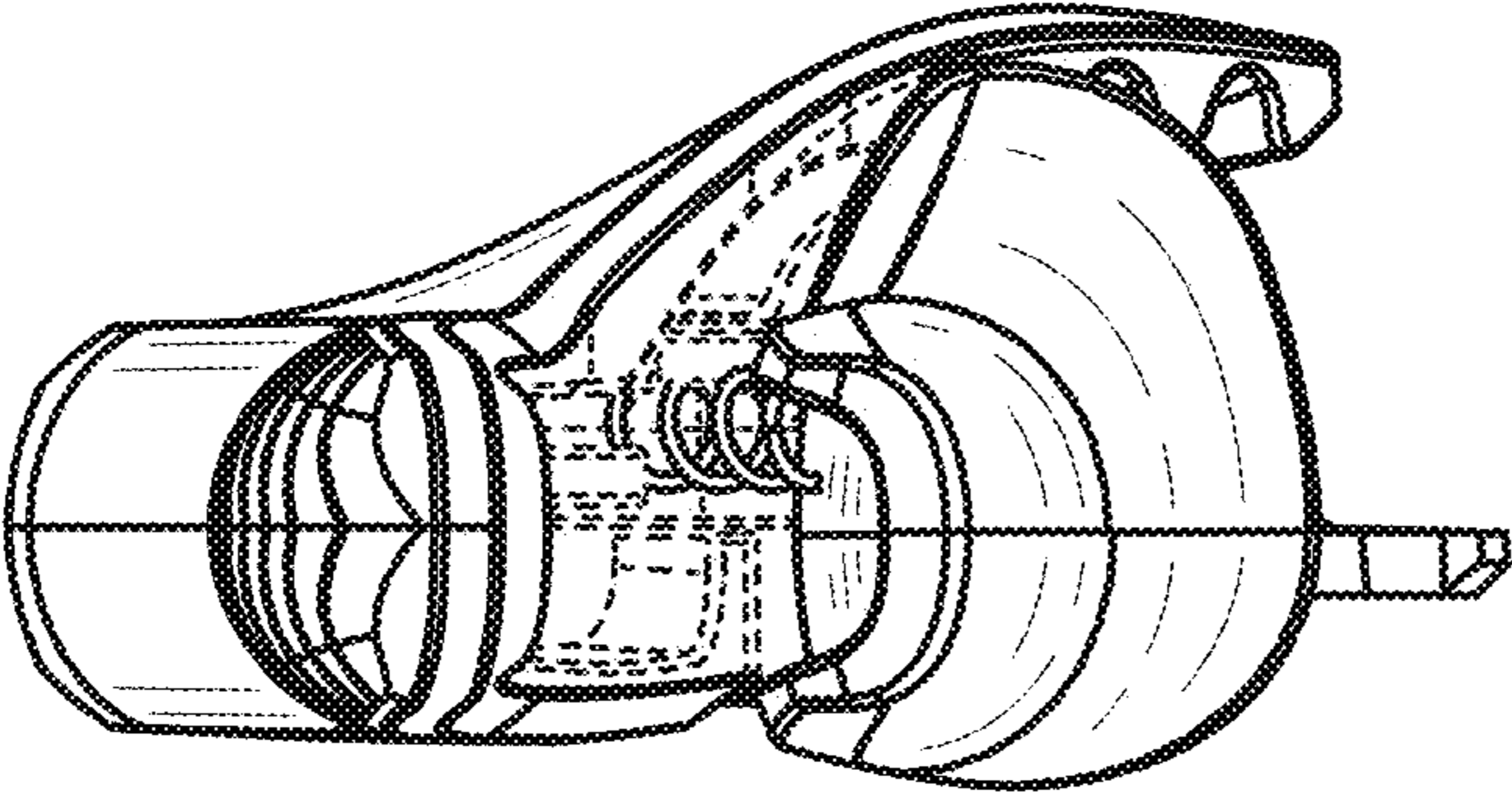


FIG. 10