



US00D959937S

(12) **United States Design Patent** (10) **Patent No.:** **US D959,937 S**  
**Hsu et al.** (45) **Date of Patent:** **\*\* Aug. 9, 2022**

(54) **POWERED HAND-HELD SPREADER**

(56) **References Cited**

(71) Applicant: **OMS Investments, Inc.**, Los Angeles, CA (US)

U.S. PATENT DOCUMENTS

(72) Inventors: **Paul E. Hsu**, Lewis Center, OH (US);  
**Paul M. Havlovitz**, Dublin, OH (US);  
**Ryan R. Berger**, Columbus, OH (US);  
**Chris W. Cicenas**, Etna, OH (US);  
**Daniel Wisniewski**, Columbus, OH (US);  
**Johannes Hertrich**, Columbus, OH (US)

3,157,402 A \* 11/1964 Love, Jr. .... A01C 17/00  
222/323  
3,227,461 A \* 1/1966 Love, Jr. .... A01C 15/02  
222/317  
D232,802 S \* 9/1974 Steinkamp et al. .... 392/404  
D327,823 S \* 7/1992 Demarest ..... D15/13  
D333,951 S \* 3/1993 Courtney ..... D8/2  
D387,638 S \* 12/1997 DeLaby ..... D8/2  
D534,044 S \* 12/2006 Zak ..... D15/13  
D744,303 S \* 12/2015 Marconi ..... D15/13  
D796,922 S \* 9/2017 Hsu ..... D15/13

(73) Assignee: **OMS Investments, Inc.**, Los Angeles, CA (US)

(Continued)

(\*\*) Term: **15 Years**

*Primary Examiner* — Mark A Goodwin

(21) Appl. No.: **29/746,700**

(74) *Attorney, Agent, or Firm* — Ulmer & Berne LLP

(22) Filed: **Aug. 17, 2020**

(57) **CLAIM**

The ornamental design for a powered hand-held spreader, as shown and described.

**Related U.S. Application Data**

**DESCRIPTION**

(63) Continuation of application No. 29/700,683, filed on Aug. 5, 2019, now Pat. No. Des. 893,270, which is a continuation of application No. 29/613,646, filed on Aug. 11, 2017, now Pat. No. Des. 855,421, which is a continuation of application No. 29/536,927, filed on Aug. 20, 2015, now Pat. No. Des. 796,922.

FIG. 1 depicts a front perspective view of a powered hand-held spreader;  
FIG. 2 is a rear perspective view thereof;  
FIG. 3 is a front bottom perspective view thereof;  
FIG. 4 is a rear bottom perspective view thereof;  
FIG. 5 is top plan view thereof;  
FIG. 6 is a bottom plan view of thereof;  
FIG. 7 is a right side elevational view thereof;  
FIG. 8 is a left side elevational view thereof;  
FIG. 9 is a front elevational view thereof;  
FIG. 10 is a rear elevational view thereof;  
FIG. 11 is a side perspective view thereof;  
FIG. 12 is a top perspective view thereof; and,  
FIG. 13 is a second front perspective view thereof.

(51) **LOC (13) Cl.** ..... **08-01**

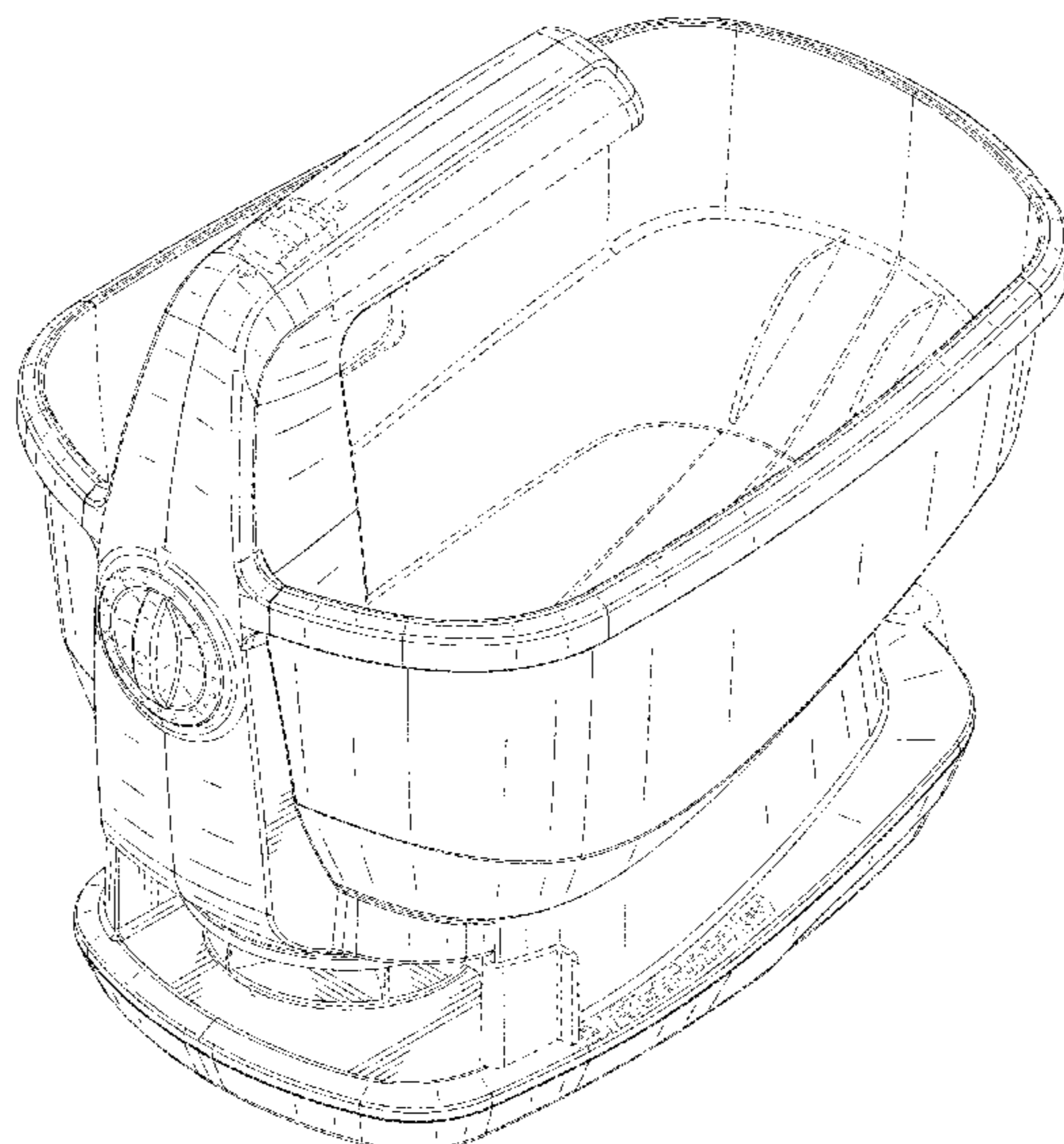
(52) **U.S. Cl.**  
USPC ..... **D8/2; D15/13**

(58) **Field of Classification Search**  
USPC ..... D8/2; D15/13  
CPC ..... A01C 15/02; A01C 15/00; A01C 15/04;  
A01C 15/006; A01C 7/00; A01C 7/02;  
E01H 10/007; E01C 2019/206; E01C  
19/203; E01C 19/205; A01M 9/003;  
A01M 9/0007; A01M 9/038; A01M  
9/0046

The broken line showing of the powered hand-held spreader is included for the purpose of illustrating portions of the article and forms no part of the claimed design.

See application file for complete search history.

**1 Claim, 13 Drawing Sheets**



(56)

**References Cited**

U.S. PATENT DOCUMENTS

D834,901 S \* 12/2018 Dubiel ..... D8/2  
D855,421 S \* 8/2019 Hsu ..... D15/13  
2017/0202133 A1\* 7/2017 Rosenbaum ..... A01C 7/02

\* cited by examiner

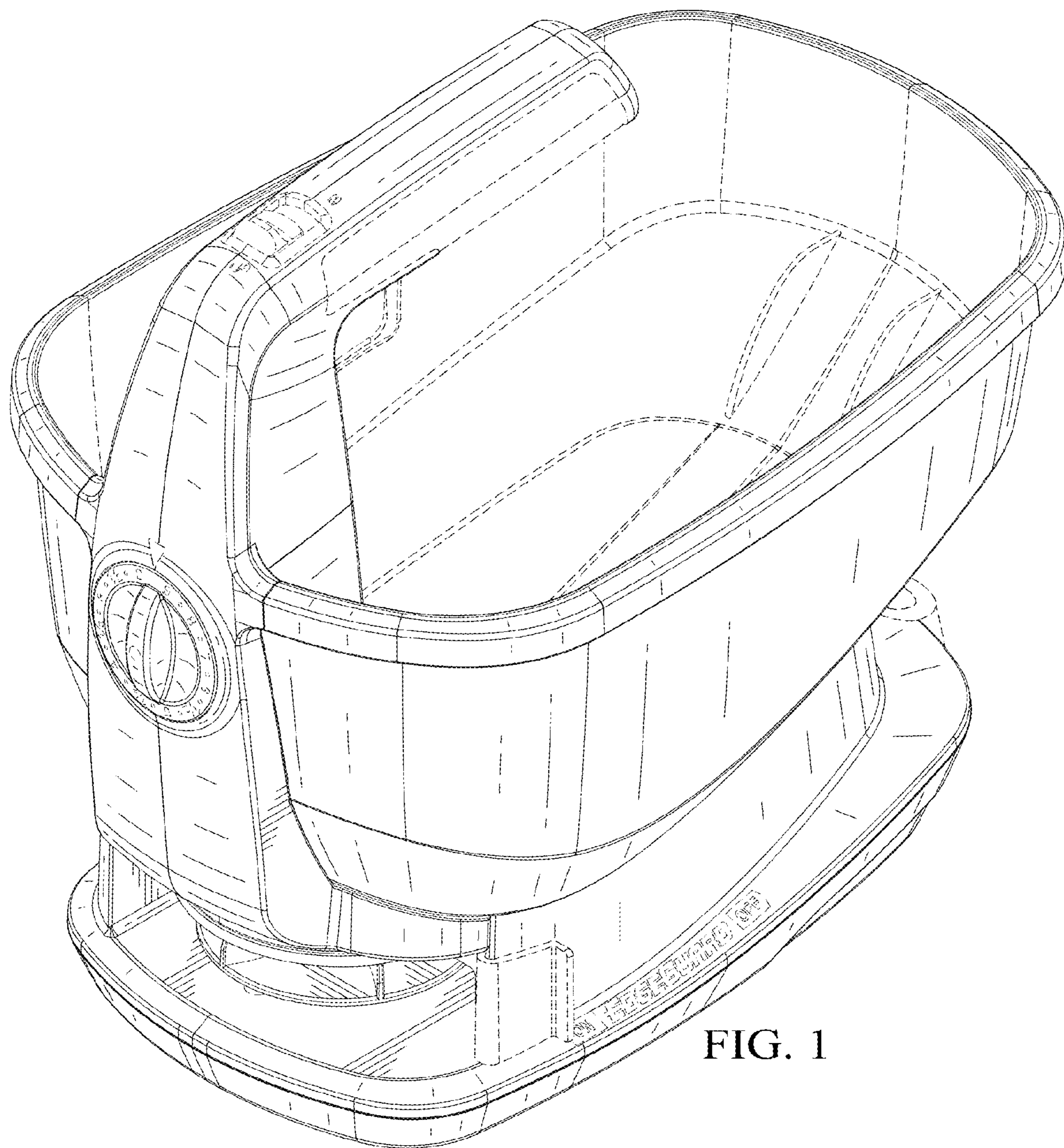


FIG. 1

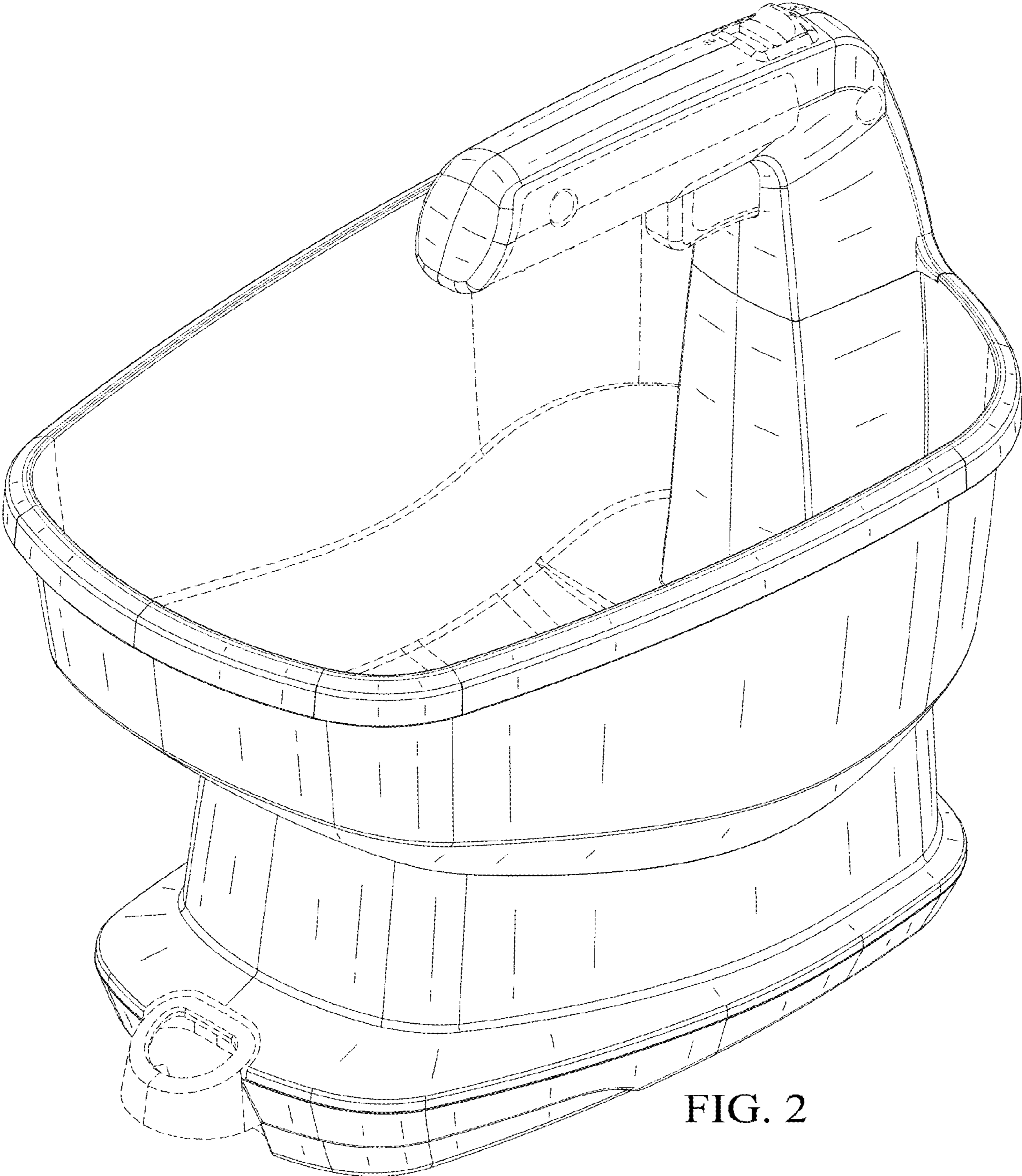


FIG. 2

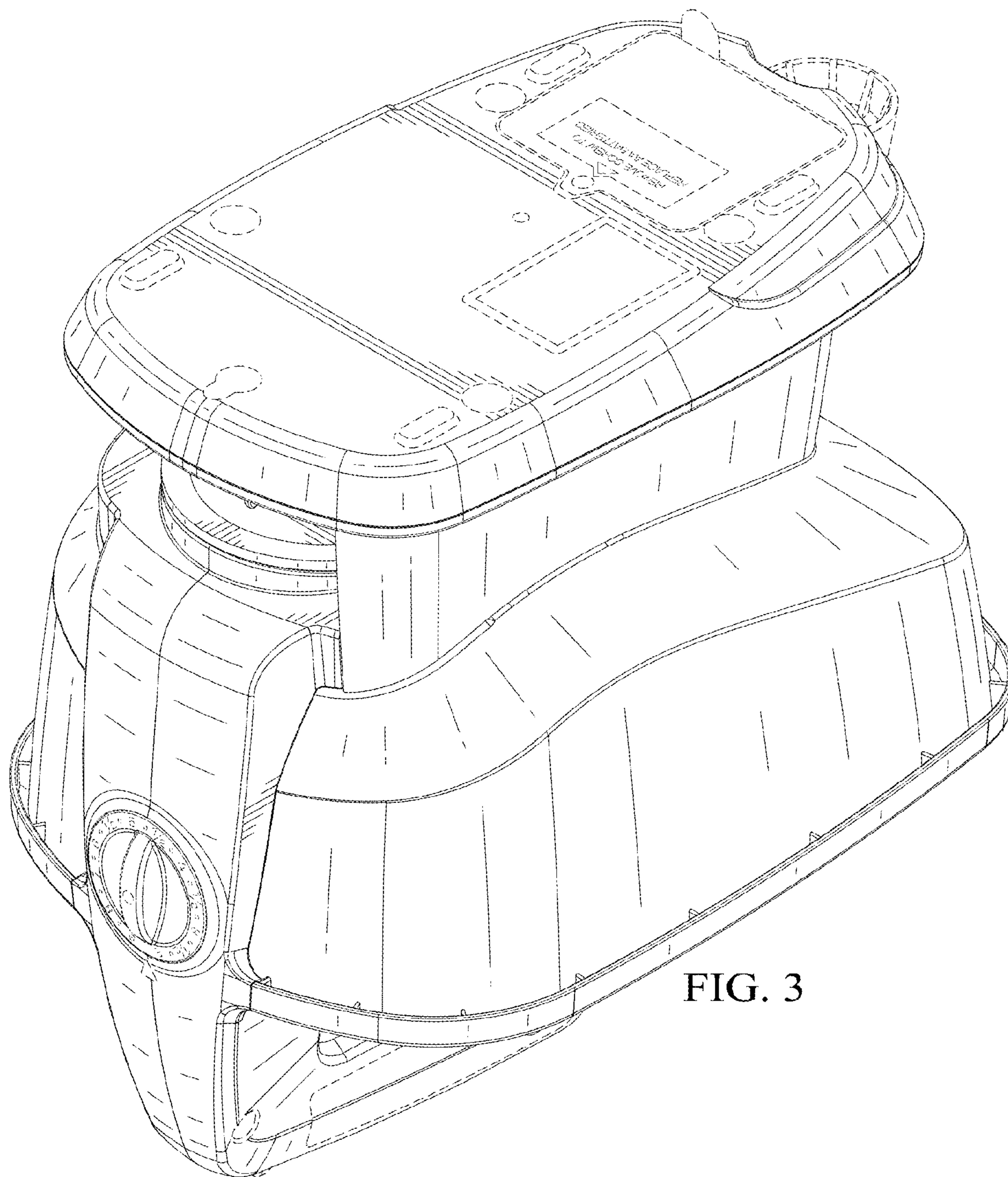


FIG. 3

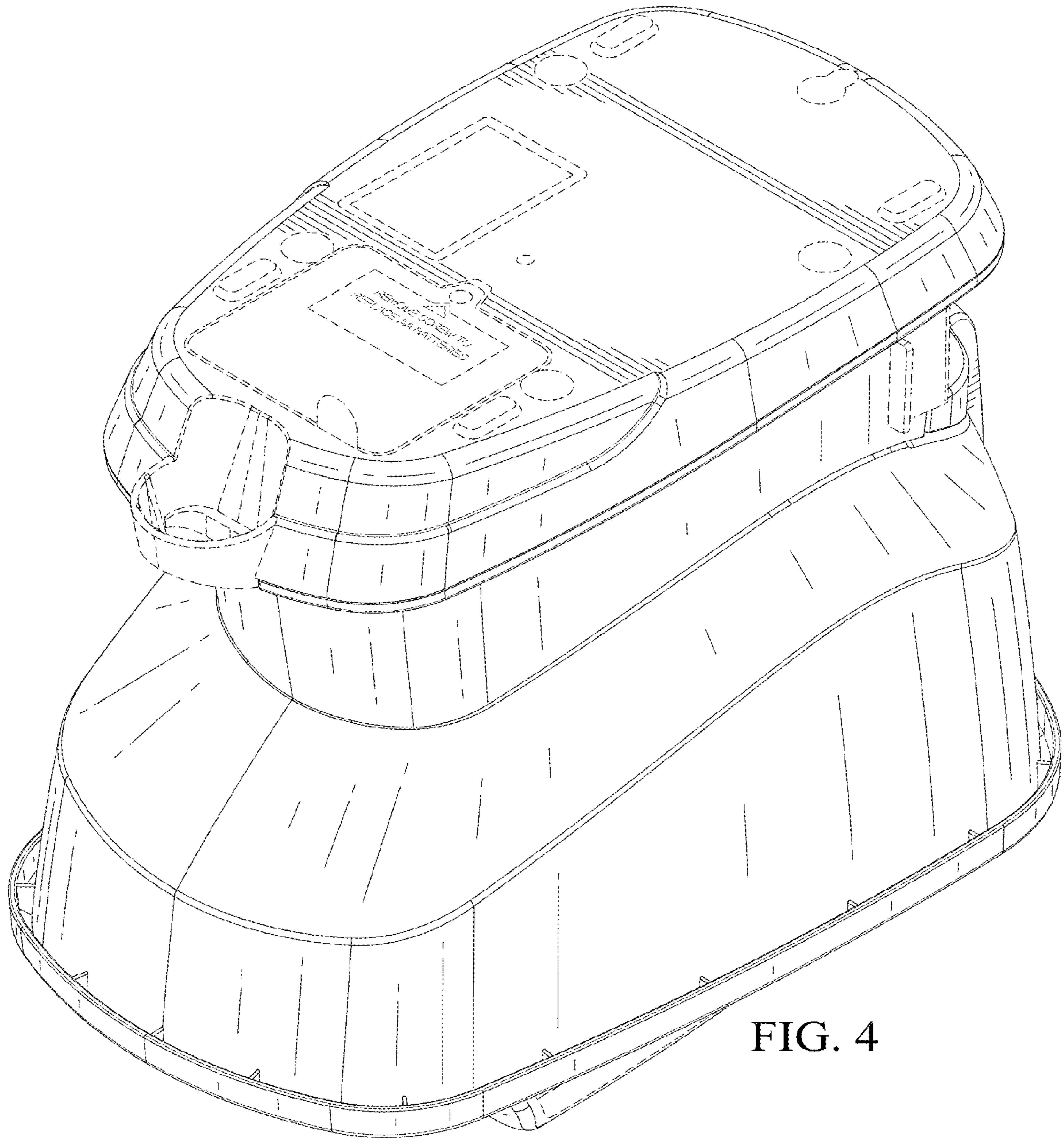


FIG. 4

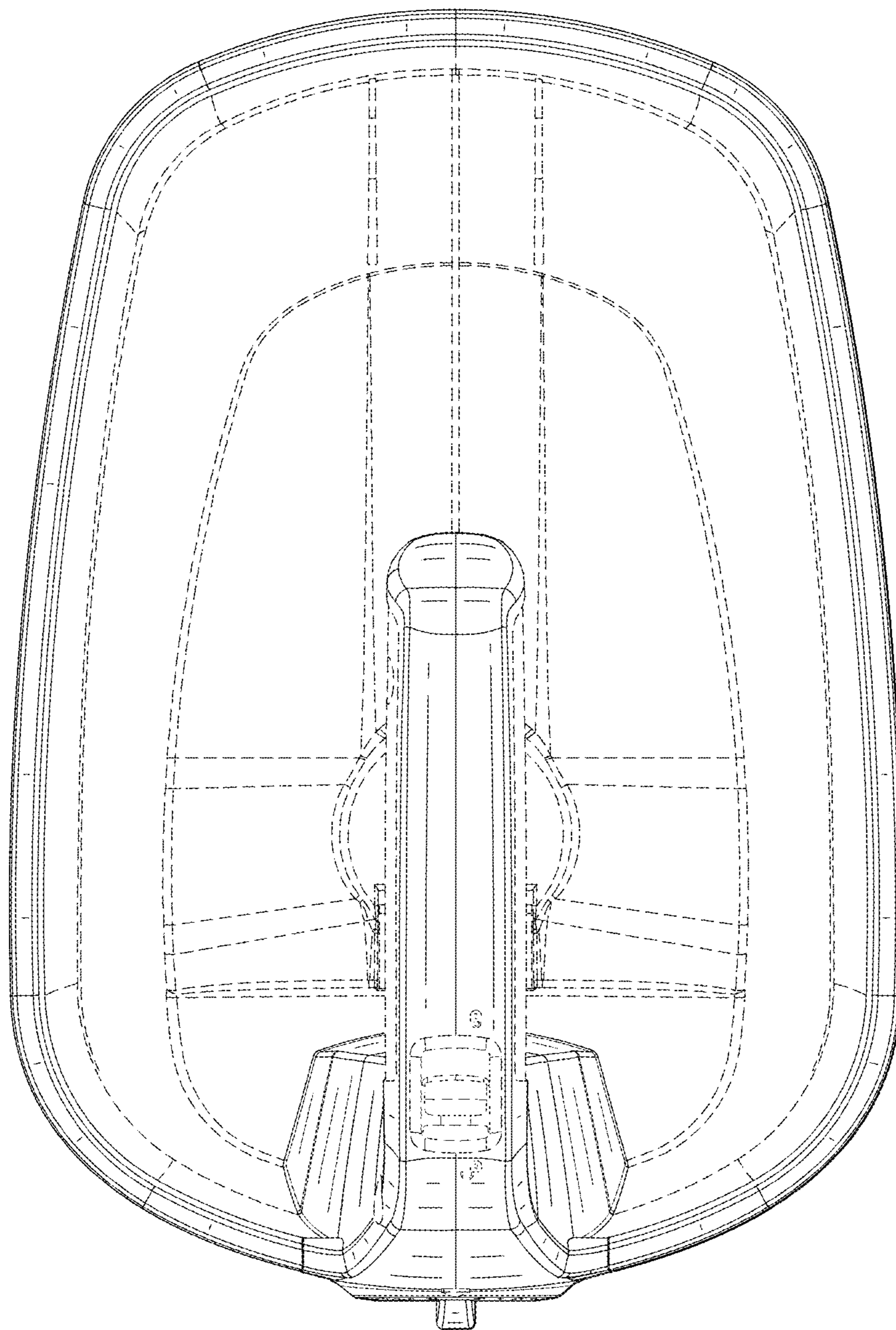


FIG. 5

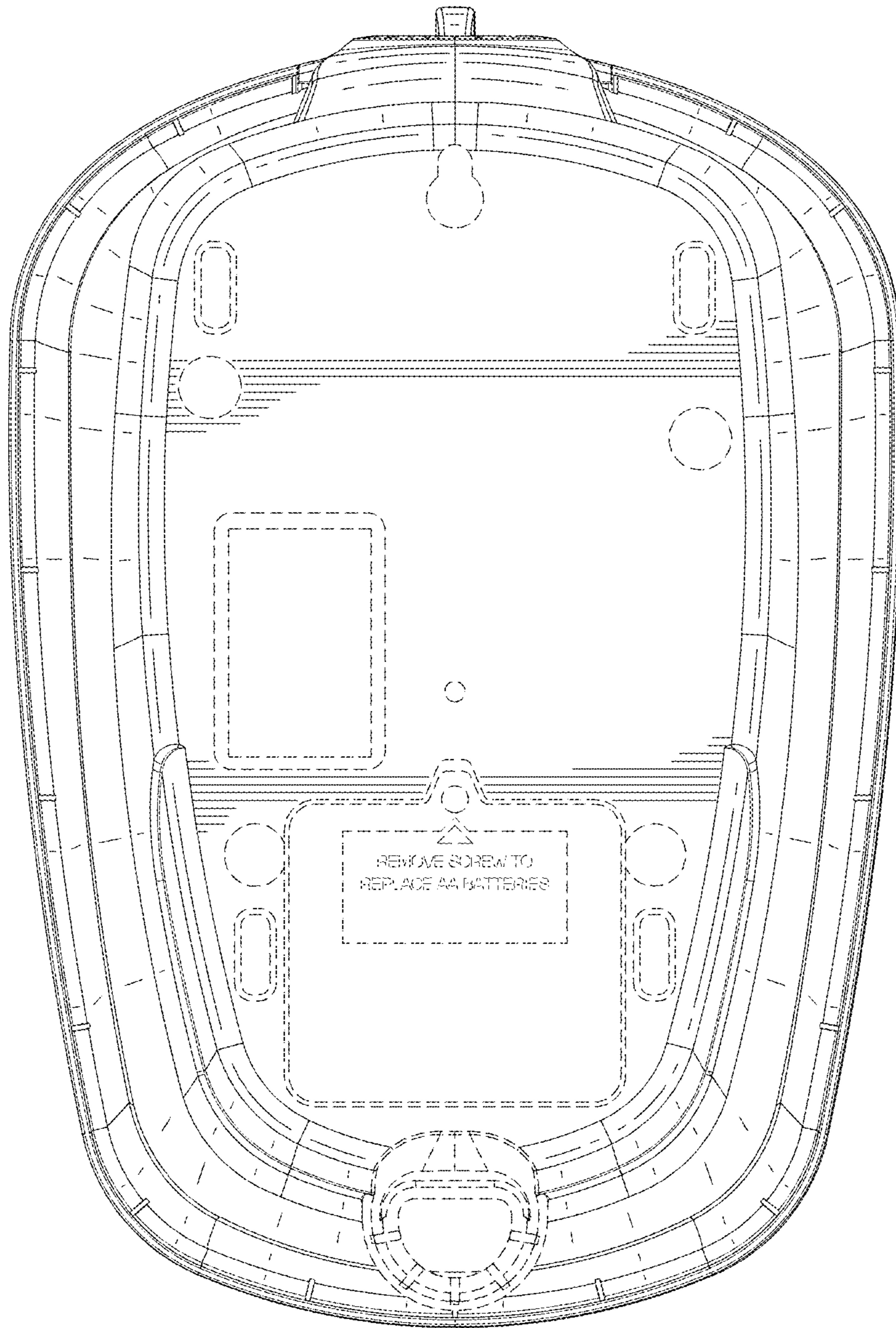


FIG. 6



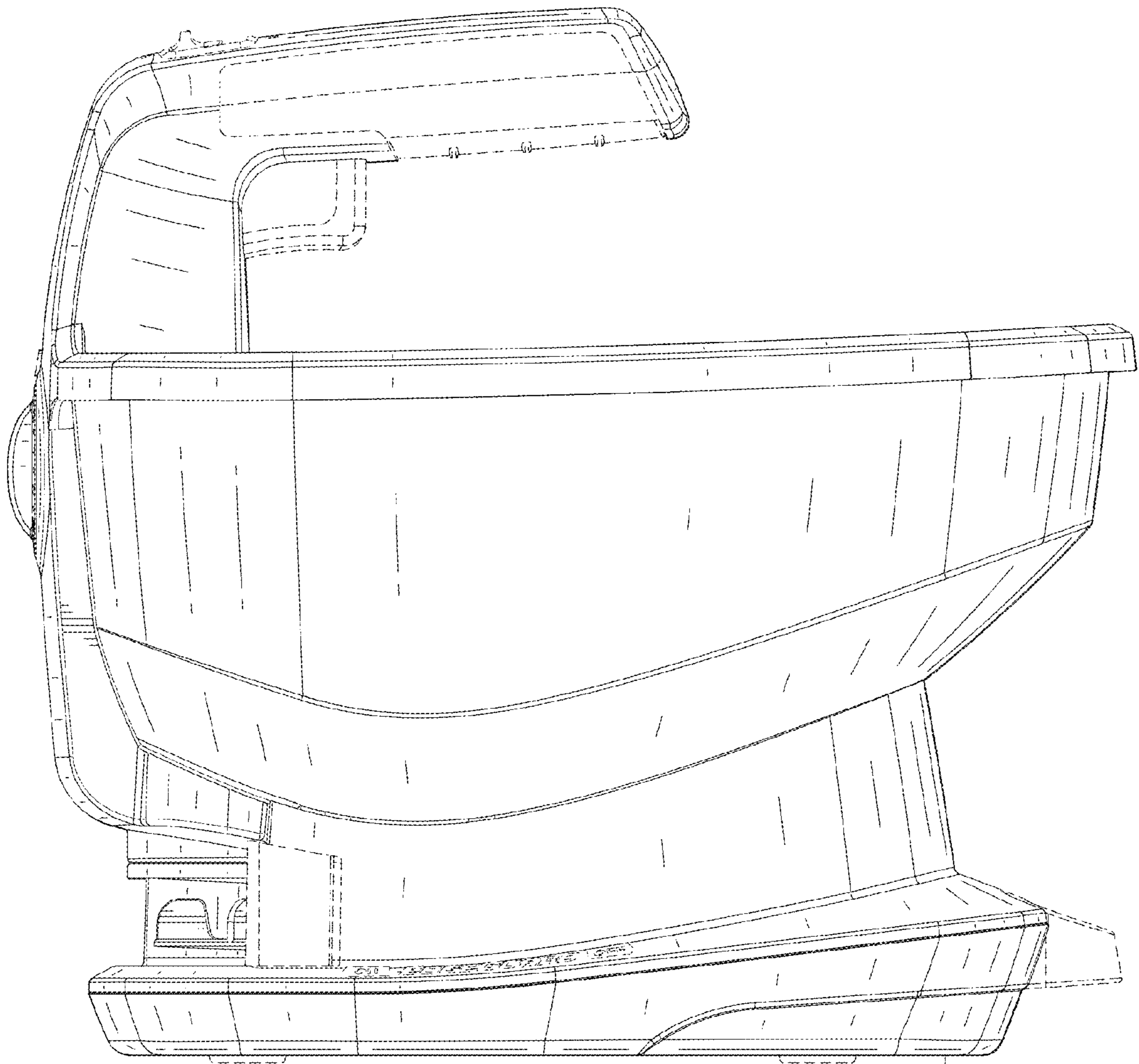


FIG. 7

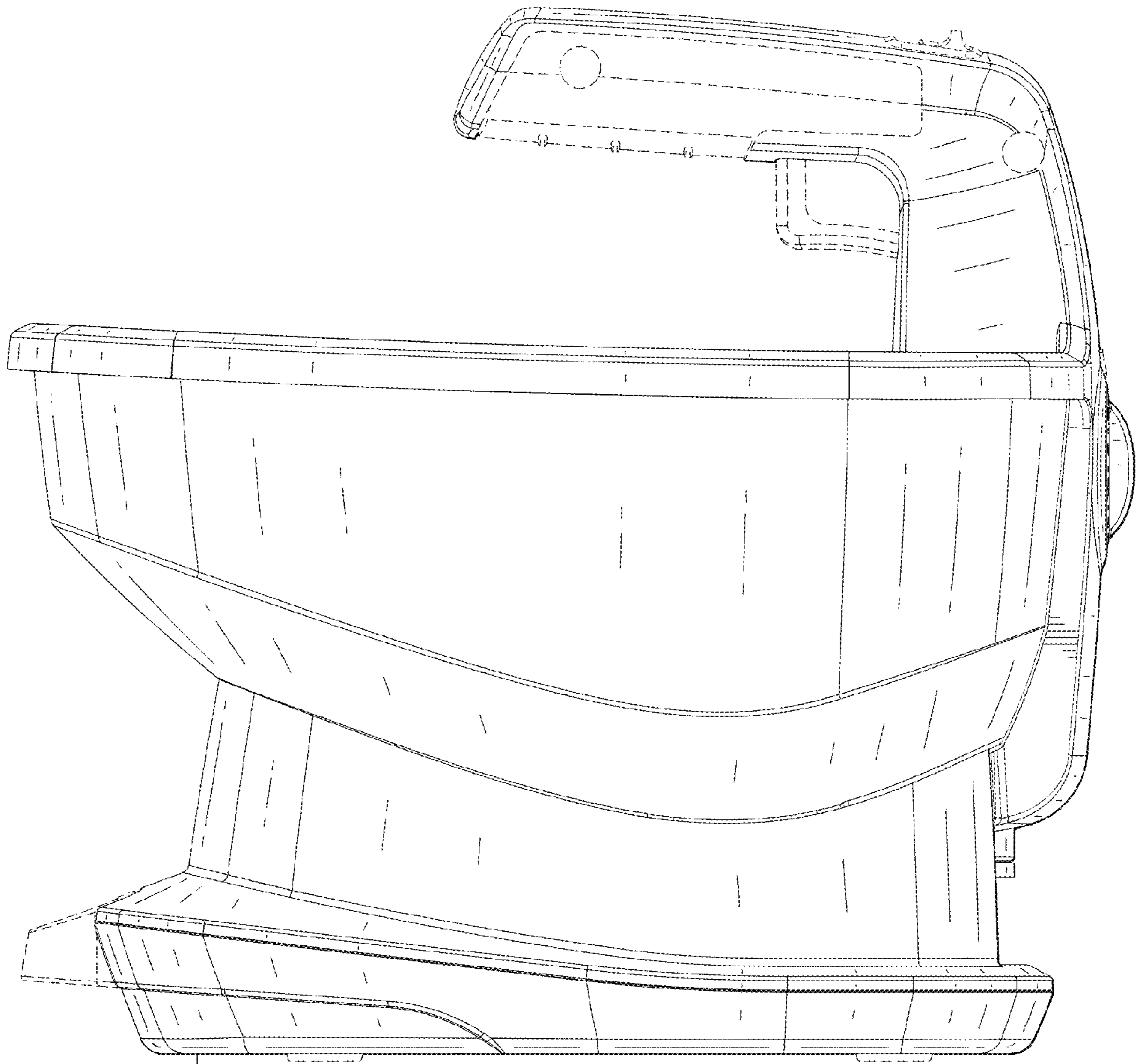


FIG. 8

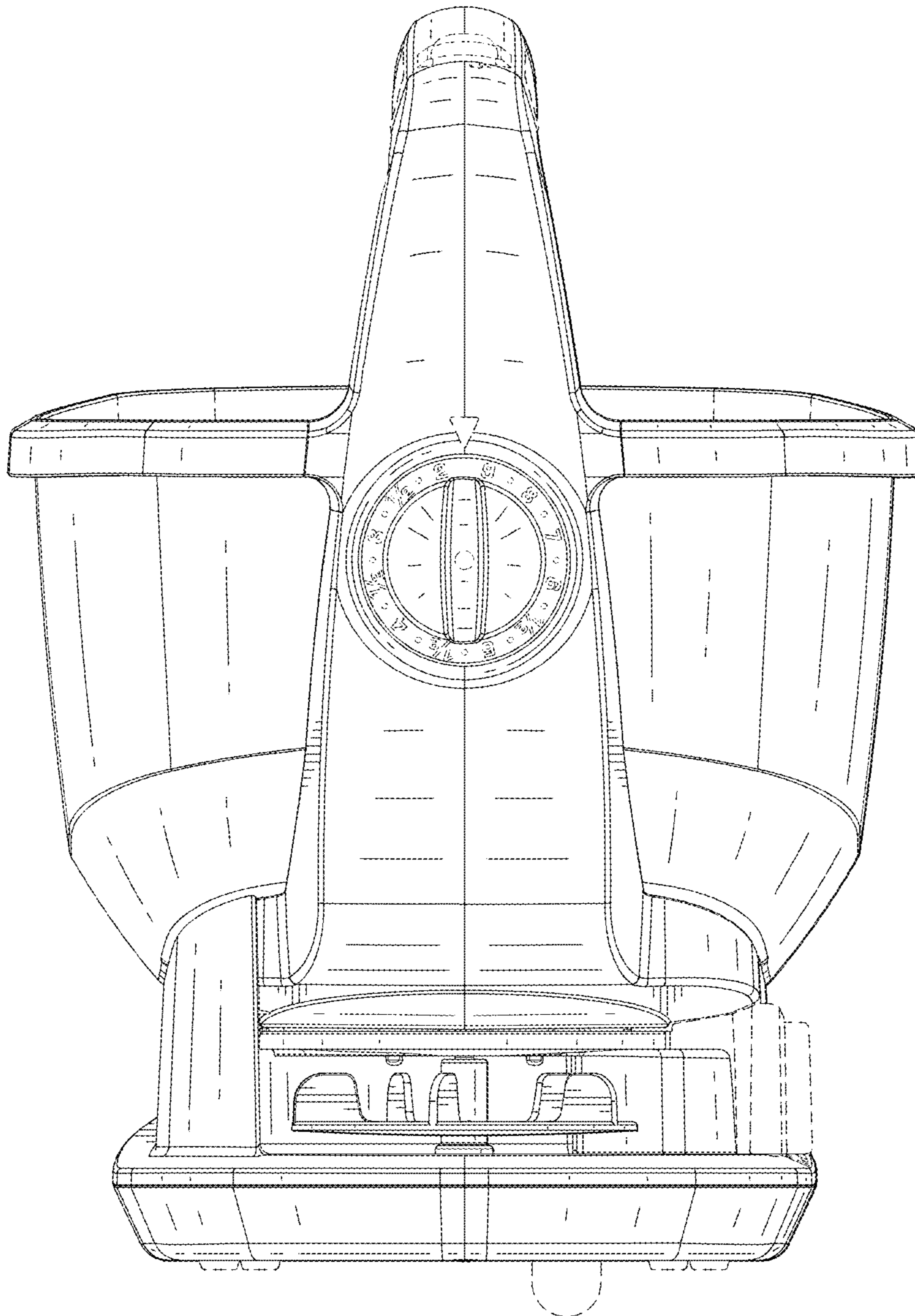


FIG. 9

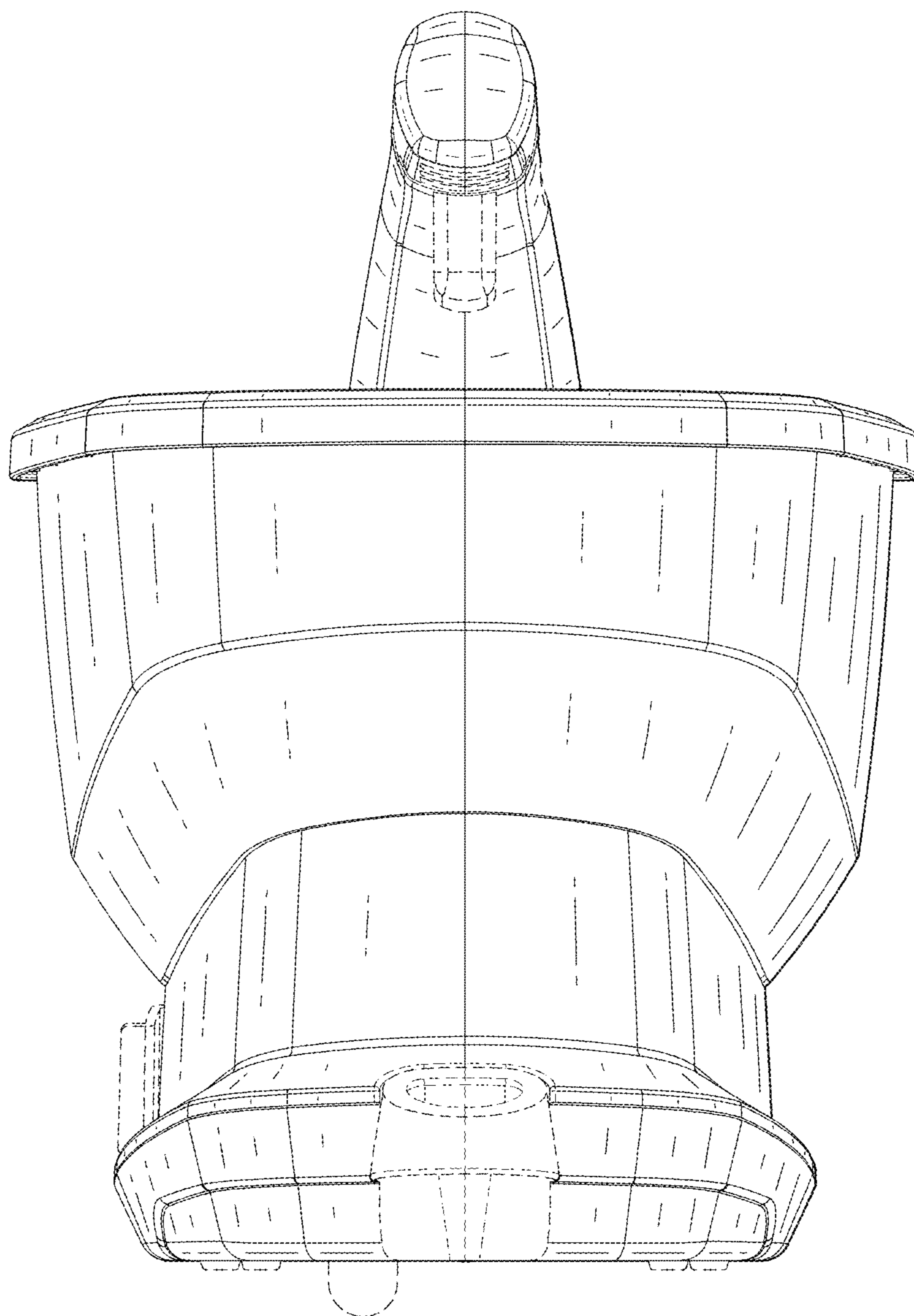


FIG. 10

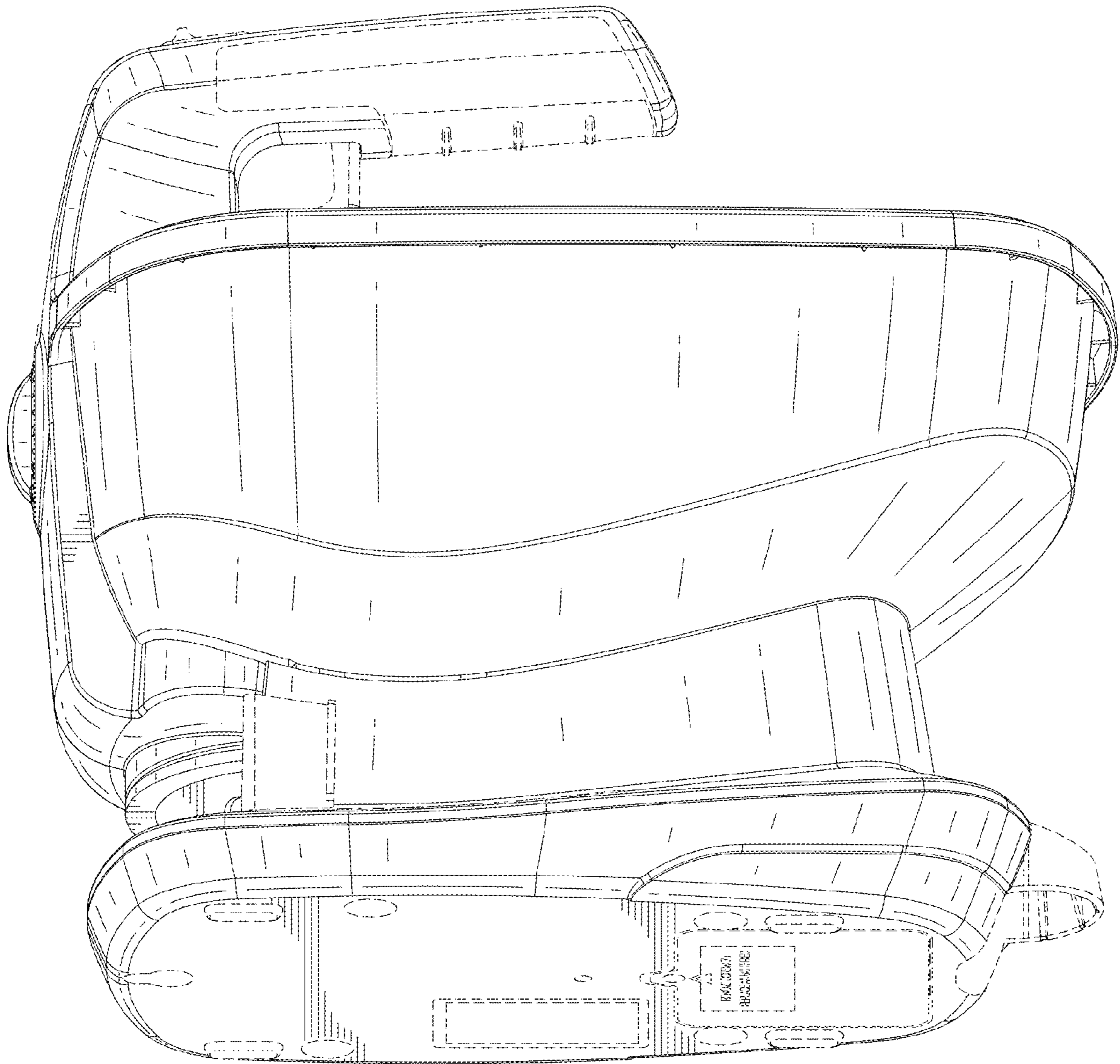


FIG. 11

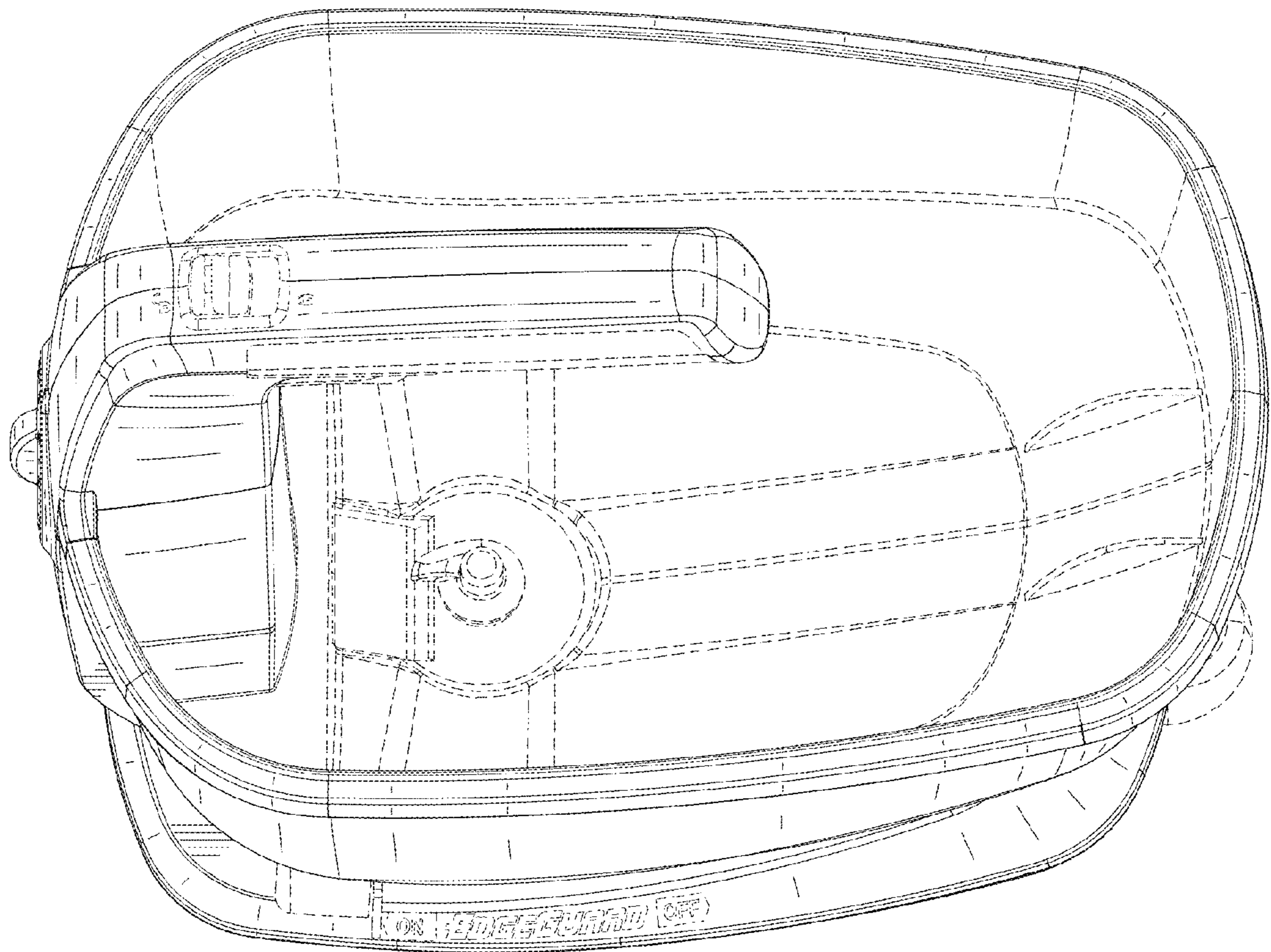


FIG. 12

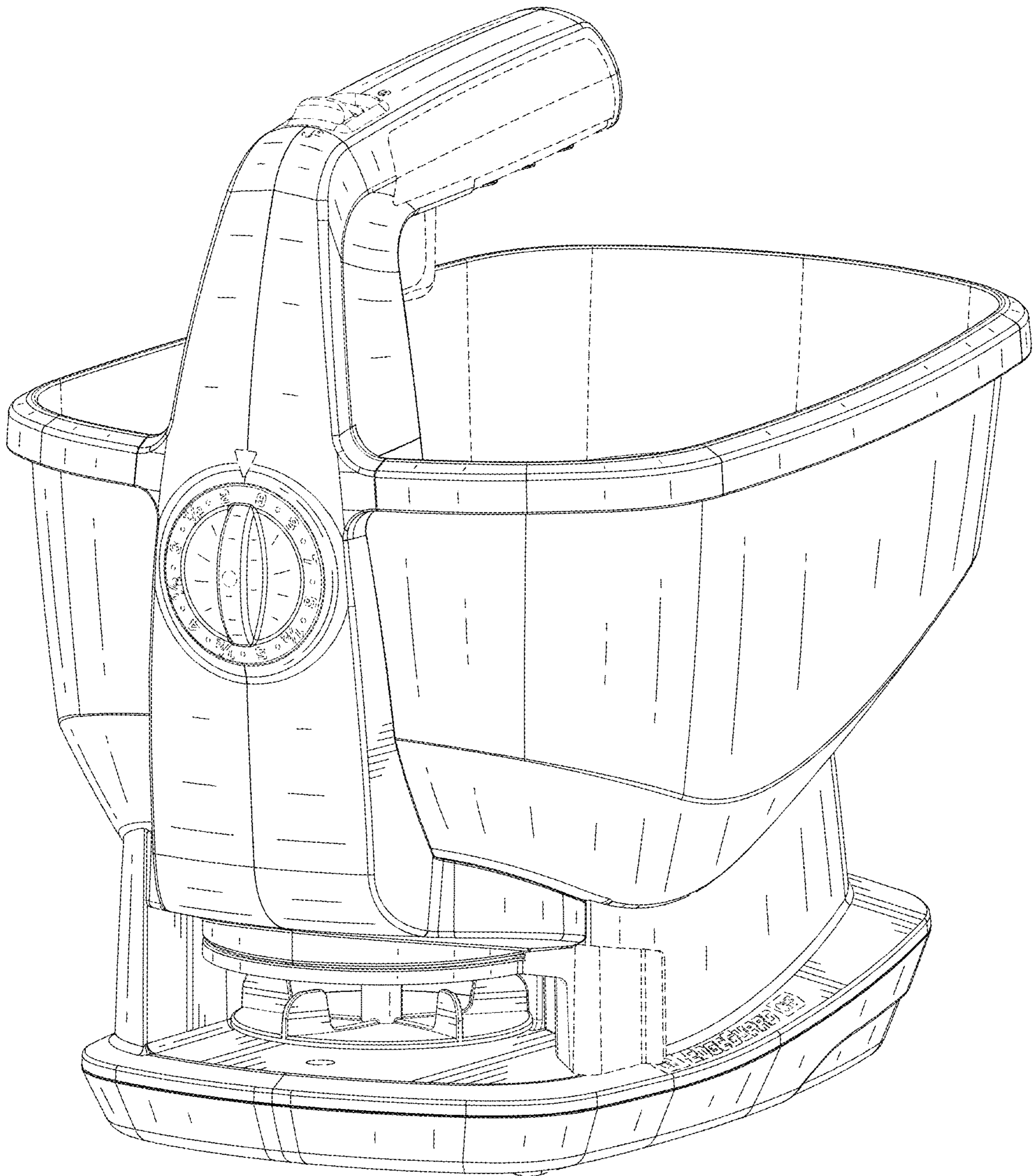


FIG. 13