



US00D959936S

(12) **United States Design Patent** (10) **Patent No.:** **US D959,936 S**
Cotton (45) **Date of Patent:** **** Aug. 9, 2022**

(54) **STACKABLE CONTAINER SYSTEM**

(71) Applicant: **The Stack - N - Go LLC**, Alhambra, CA (US)

(72) Inventor: **Myron Varan Cotton**, Alhambra, CA (US)

(73) Assignee: **The Stack - N - Go LLC**, Alhambra, CA (US)

(**) Term: **15 Years**

(21) Appl. No.: **29/751,234**

(22) Filed: **Sep. 18, 2020**

(51) **LOC (13) Cl.** **07-02**

(52) **U.S. Cl.**
USPC **D7/709**

(58) **Field of Classification Search**

USPC D7/213, 601-602, 605, 607-608, 619.1, D7/622, 624.1-624.2, 505, 629, 709; D9/688, 692, 738, 424, 635, 743, 756; D3/201-202, 304

CPC A47G 23/02; A47G 2023/0291; A47G 23/0216; B65D 81/38; B65D 2313/04; B65D 25/101; B65D 25/20; B65D 2255/20; B65D 21/0222; B65D 2525/284; B65D 2543/00092; B65D 67/02; B65D 43/0202; B65D 2543/00564; A47J 47/14

See application file for complete search history.

(56) **References Cited**

U.S. PATENT DOCUMENTS

- 2,575,299 A * 11/1951 Scheel A47J 47/14 126/261
- 3,144,016 A * 8/1964 Basci A47J 27/12 126/265
- D406,543 S * 3/1999 Brown D10/113.2
- D514,442 S * 2/2006 Lowe D7/505
- D529,346 S * 10/2006 Charuwongkhachton D7/629
- D599,416 S * 9/2009 Turco-Rivas D21/471

- D638,587 S * 5/2011 Petek D29/124
- D661,549 S * 6/2012 Kemper D7/505
- D696,079 S * 12/2013 Meyers D7/629
- D734,447 S * 7/2015 Warden D24/110
- D734,448 S * 7/2015 Warden D24/110
- D751,817 S * 3/2016 Stuart D3/302
- D780,571 S * 3/2017 Crawford D9/424

(Continued)

FOREIGN PATENT DOCUMENTS

JP D1602277 * 4/2018

OTHER PUBLICATIONS

Smart Portion Food and Meat Container, Stack-N-Go LLC, thestackngo.com, published by Myron V. Cotton, date unlisted © 2019 The Stack-N-Go, LLC, online, site visited Nov. 22, 2021. Available at URL: <http://www.thestackngo.com/> (Year: 2021).*

(Continued)

Primary Examiner — Holly E Thurman
Assistant Examiner — Altaira J Swangin
(74) *Attorney, Agent, or Firm* — Sheppard, Mullin, Richter & Hampton LLP

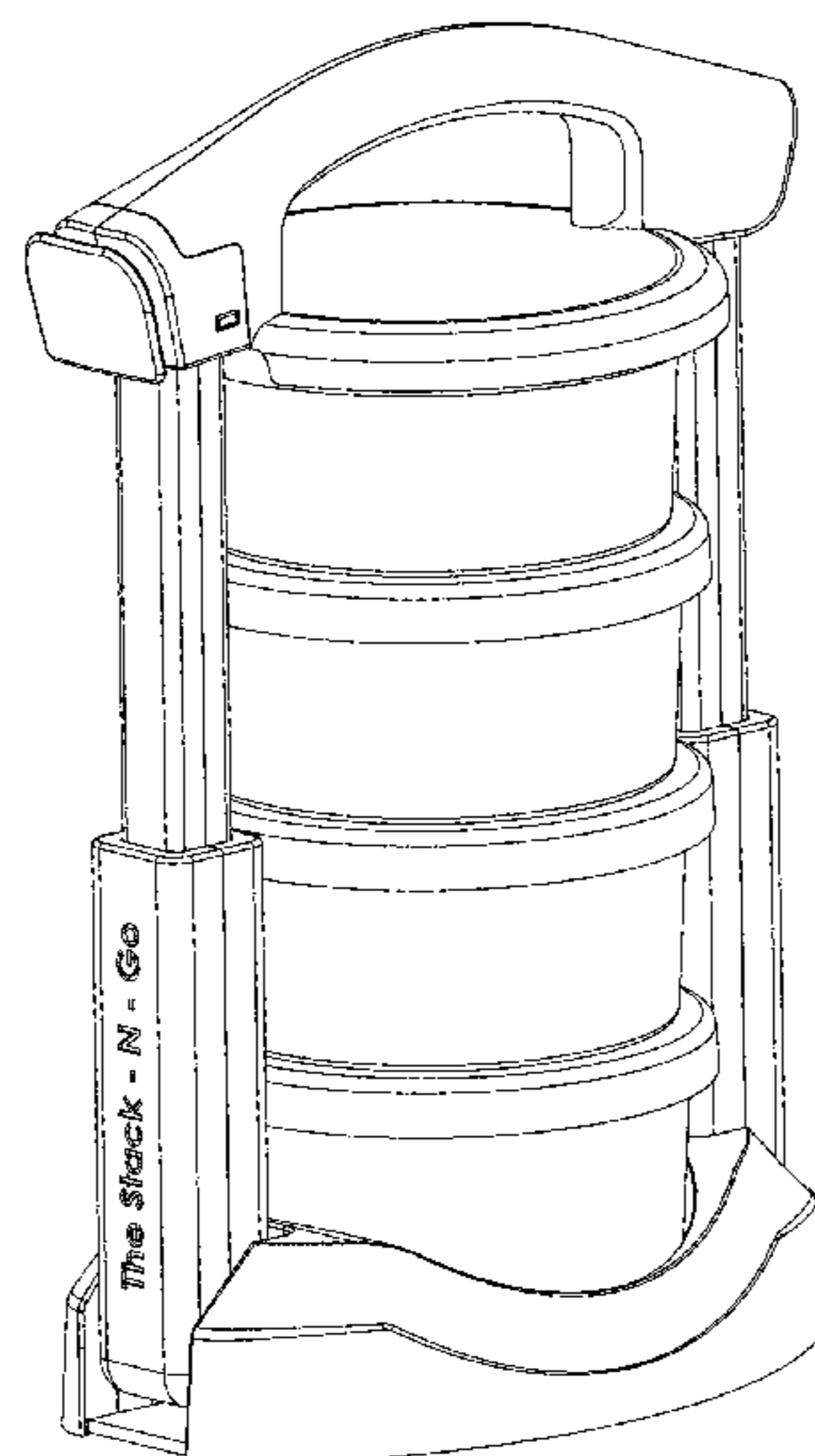
(57) **CLAIM**

I claim the ornamental design for a stackable container system, as shown and described.

DESCRIPTION

FIG. 1 is a perspective view of an ornamental design for a stackable container system;
FIG. 2 is a front elevational view thereof;
FIG. 3 is rear elevational view thereof;
FIG. 4 is a left elevational view thereof;
FIG. 5 is a right elevational view thereof;
FIG. 6 is a top plan view thereof; and,
FIG. 7 is a bottom plan view thereof.
The portions of the stackable container system shown in broken lines form no part of the claimed design.

1 Claim, 4 Drawing Sheets



(56)

References Cited

U.S. PATENT DOCUMENTS

D780,600 S * 3/2017 Stuart D9/743
D787,886 S * 5/2017 Cerasani D7/510
D804,963 S * 12/2017 Stuart D9/756
D940,506 S * 1/2022 Singlaub D7/532
2004/0217139 A1 * 11/2004 Roth B65D 47/243
224/148.7
2019/0322440 A1 * 10/2019 Tarbutton A47G 23/0233
2020/0399019 A1 * 12/2020 Cotton B65D 67/02

OTHER PUBLICATIONS

Stainless Steel Traditional Indian Lunch Box, King International, amazon.com, published by King International, first available on Aug. 8, 2014 © 1996-2021 Amazon.com, Inc., online, site visited Nov. 22, 2021. URL: <https://www.amazon.ca/King-International-Stainless-Traditional-container/dp/B00JITRMM> (Year: 2014).*

Tiffin Carrier 3D Model, Firdz3d, renderhub.com, published by Firdz3d on Jun. 26, 2018 © 2017-2021 RenderHub, online, site visited Nov. 22, 2021. Available at URL: <https://www.renderhub.com/firdz3d/tiffin-carrier> (Year: 2018).*

Lunchblox® Lunch Kit Food Storage Containers|Rubbermaid, <https://www.rubbermaid.com/lunblox.html>, Jan. 4, 2021.

Bentgo® Classic Lunch Box|Betgo®, <https://bentgo.com/collections/lunch-boxes/products/bentgo?variant=727065235>, Jan. 4, 2021.

Indian-Tiffin—Indian-Tiffin LunchBox, <https://indian-tiffin.com>, Jan. 4, 2021.

* cited by examiner

FIG. 1

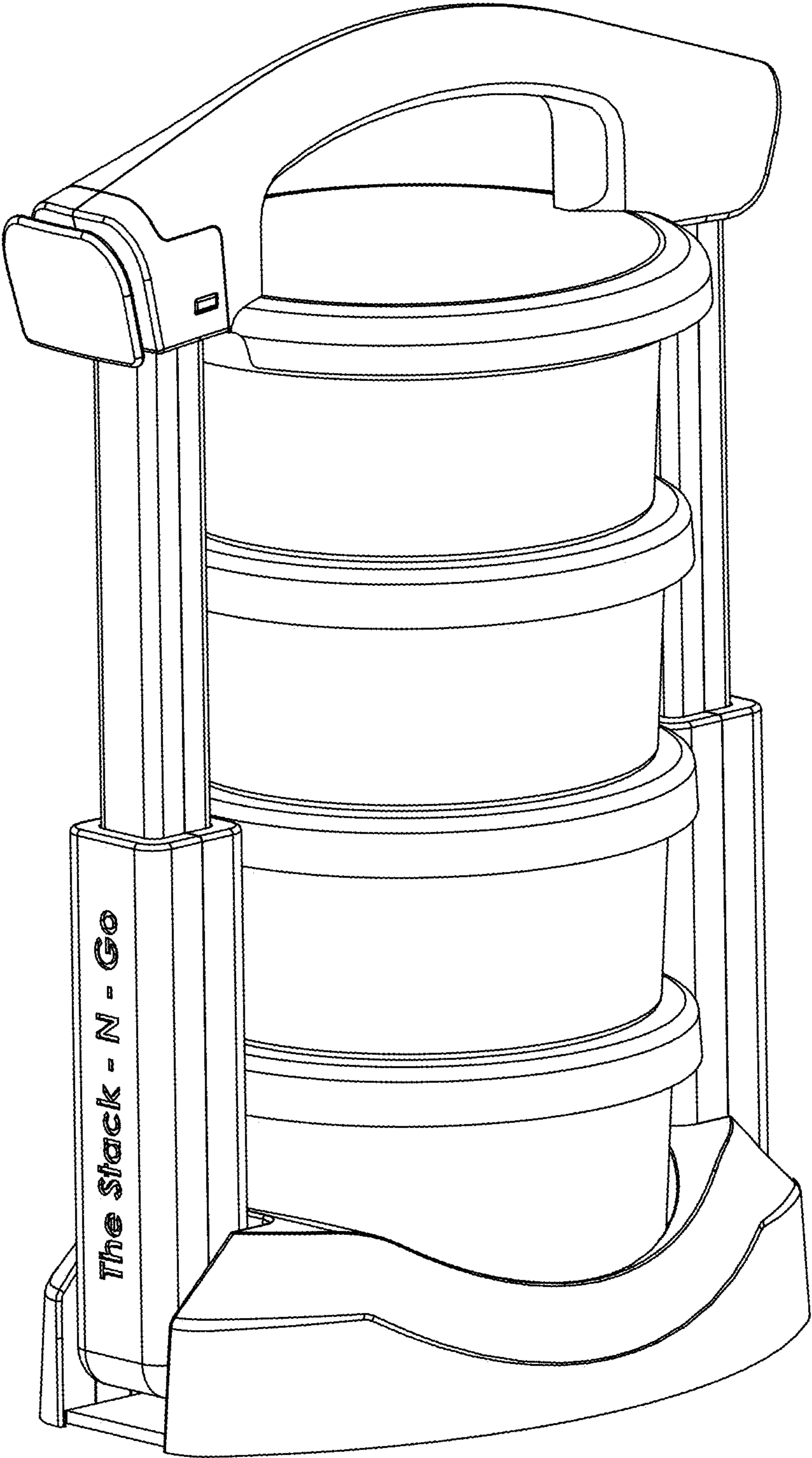


FIG. 3

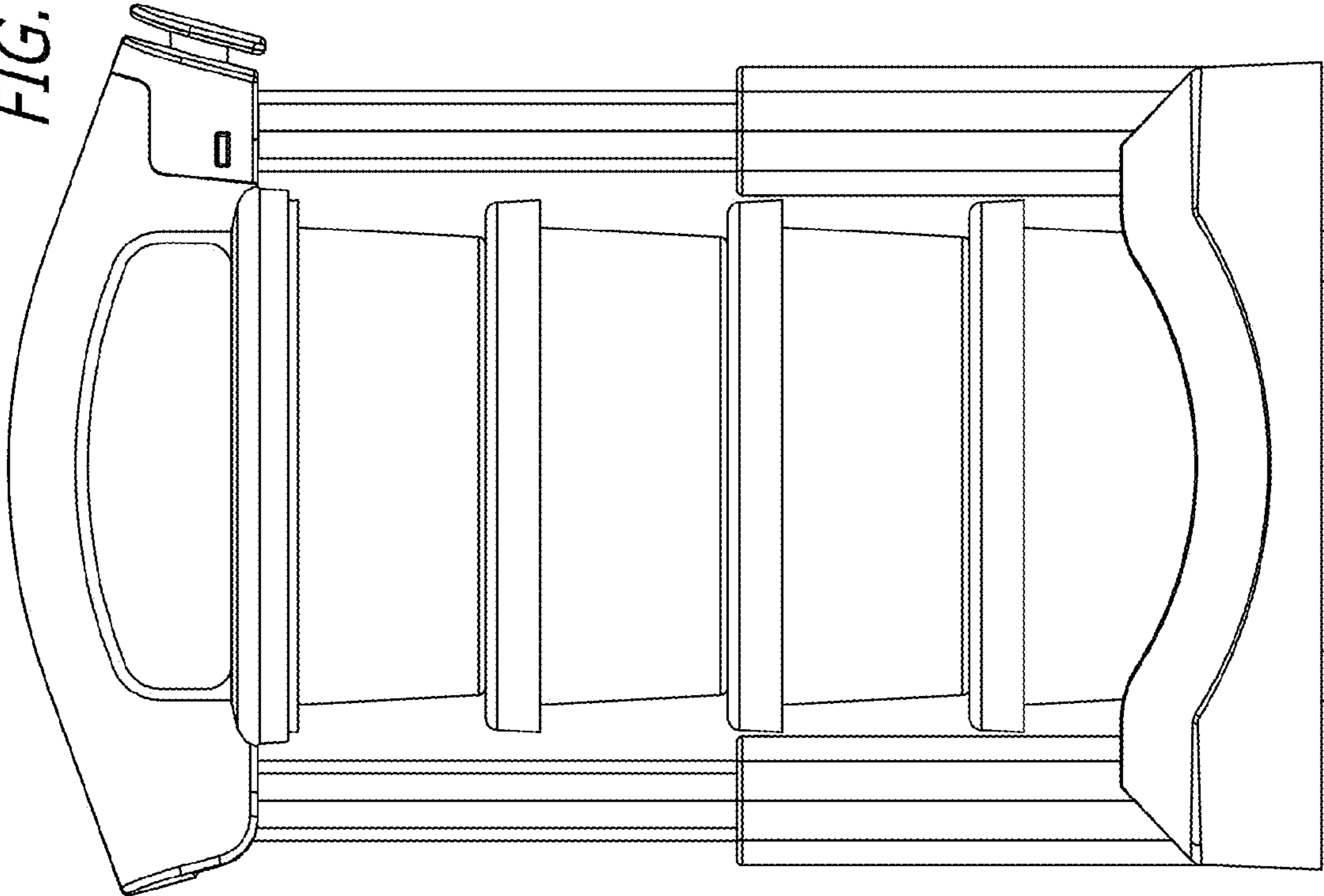


FIG. 2

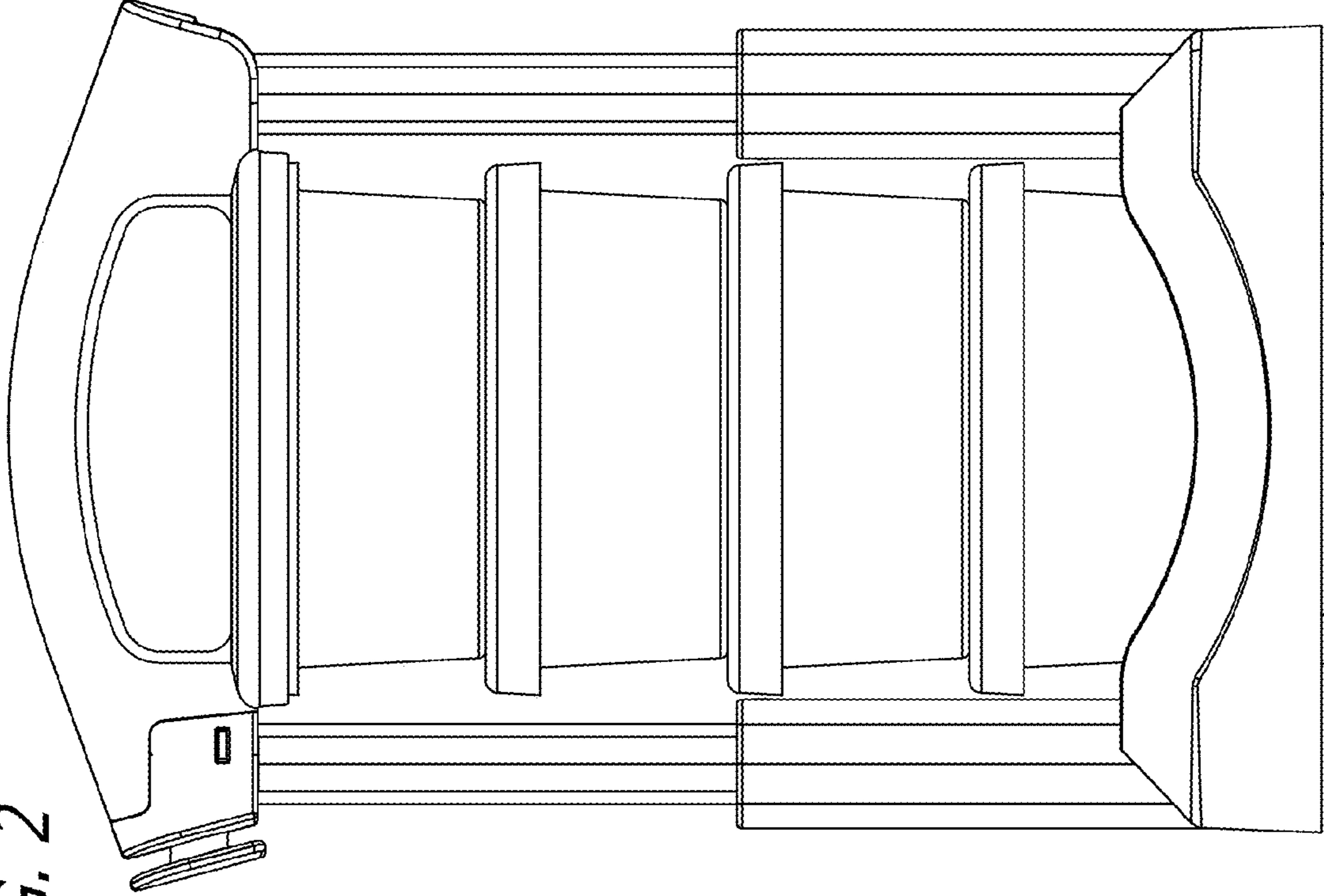


FIG. 5

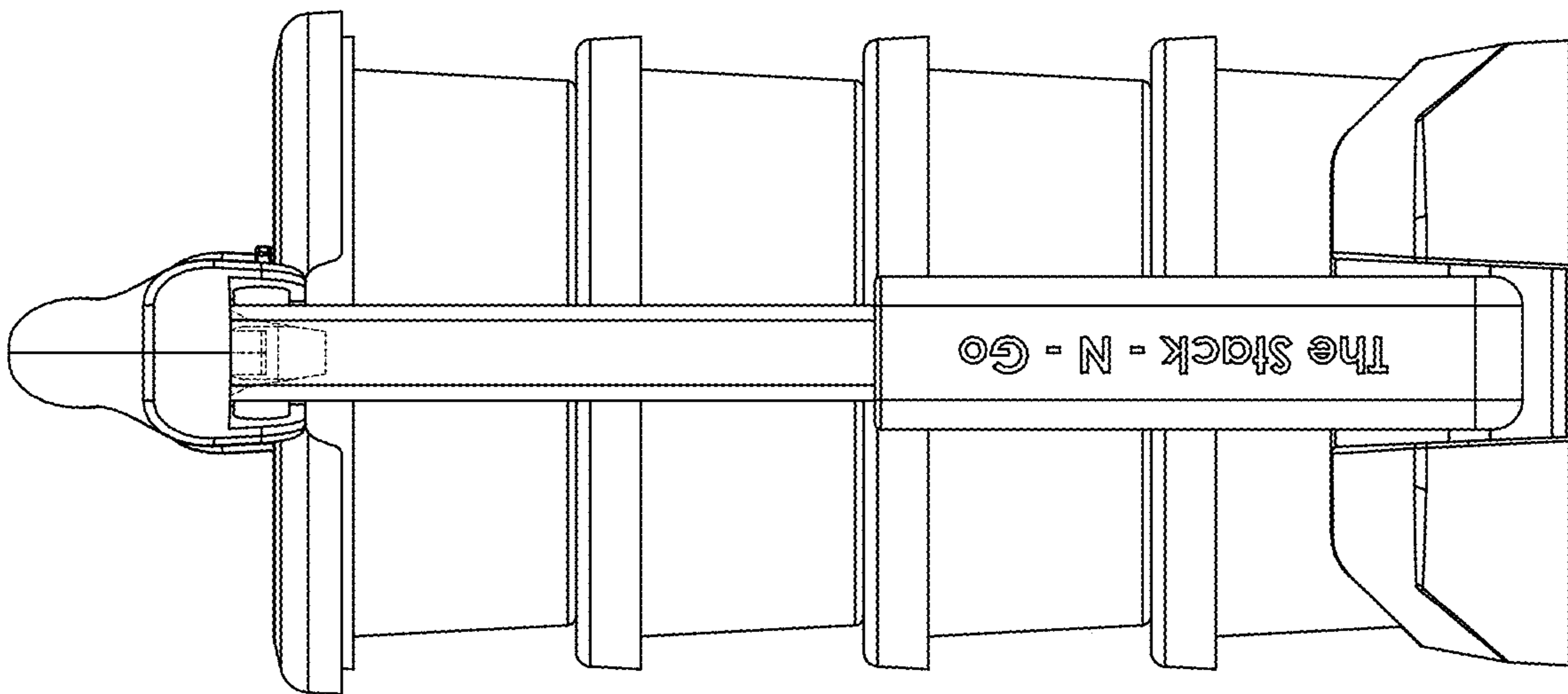
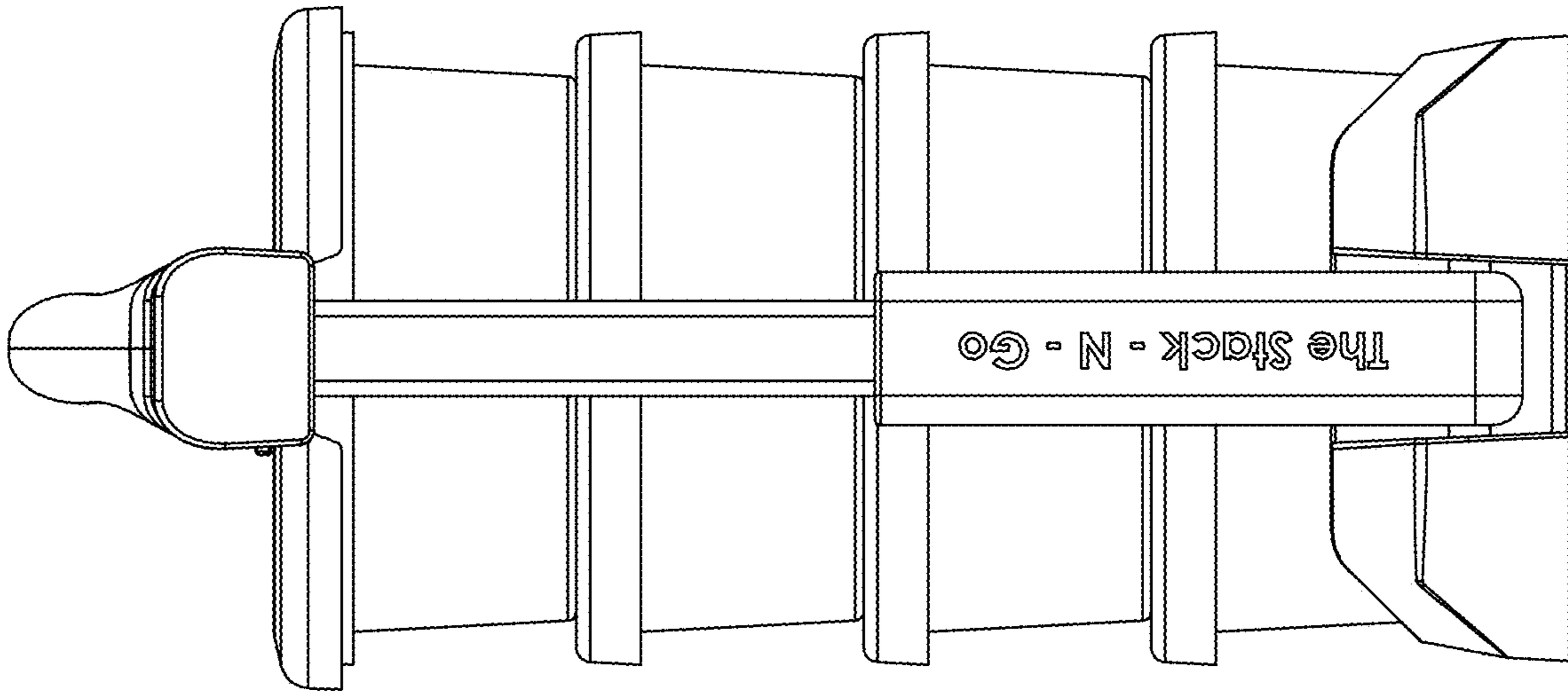


FIG. 4

FIG. 6

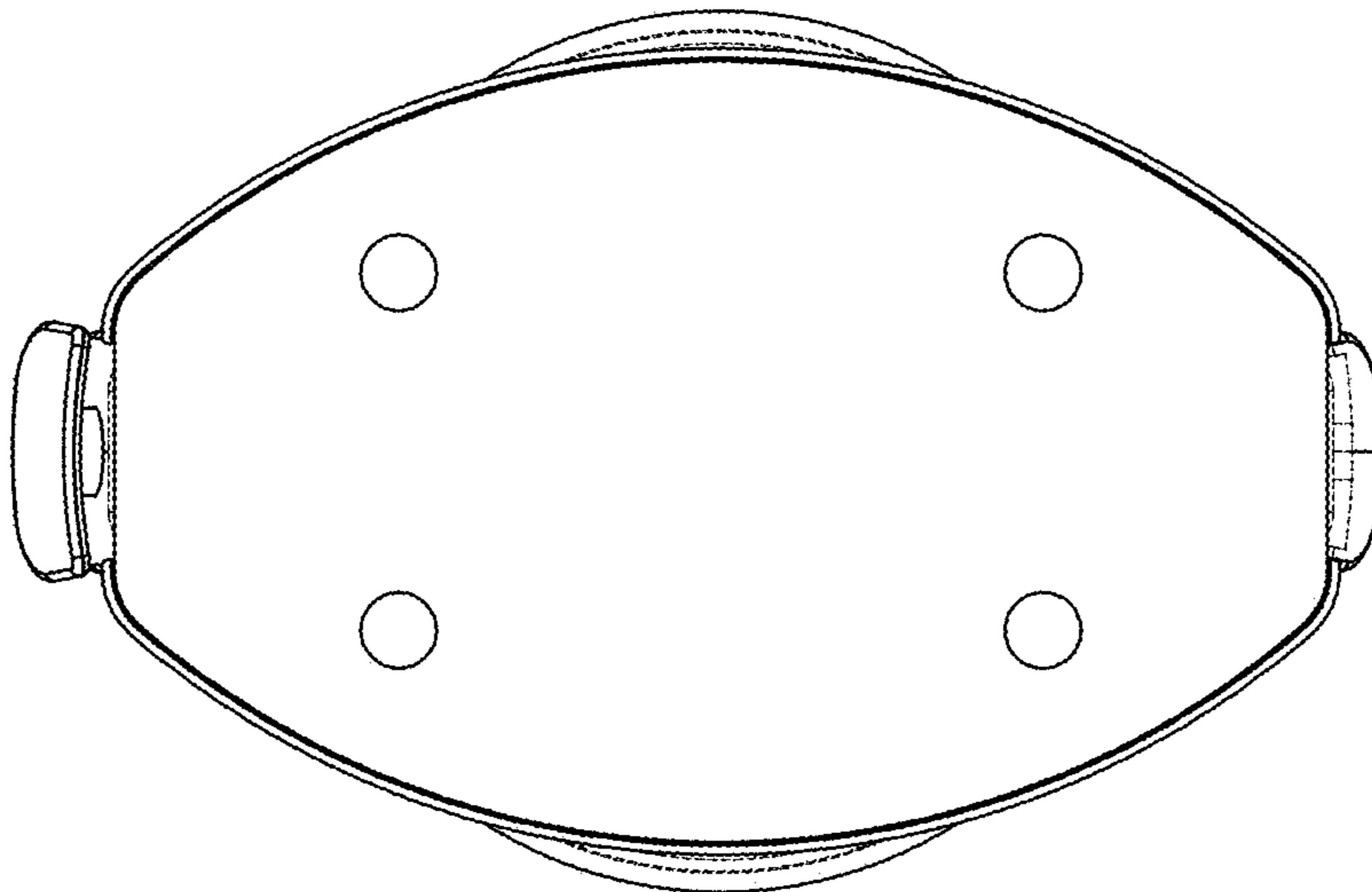
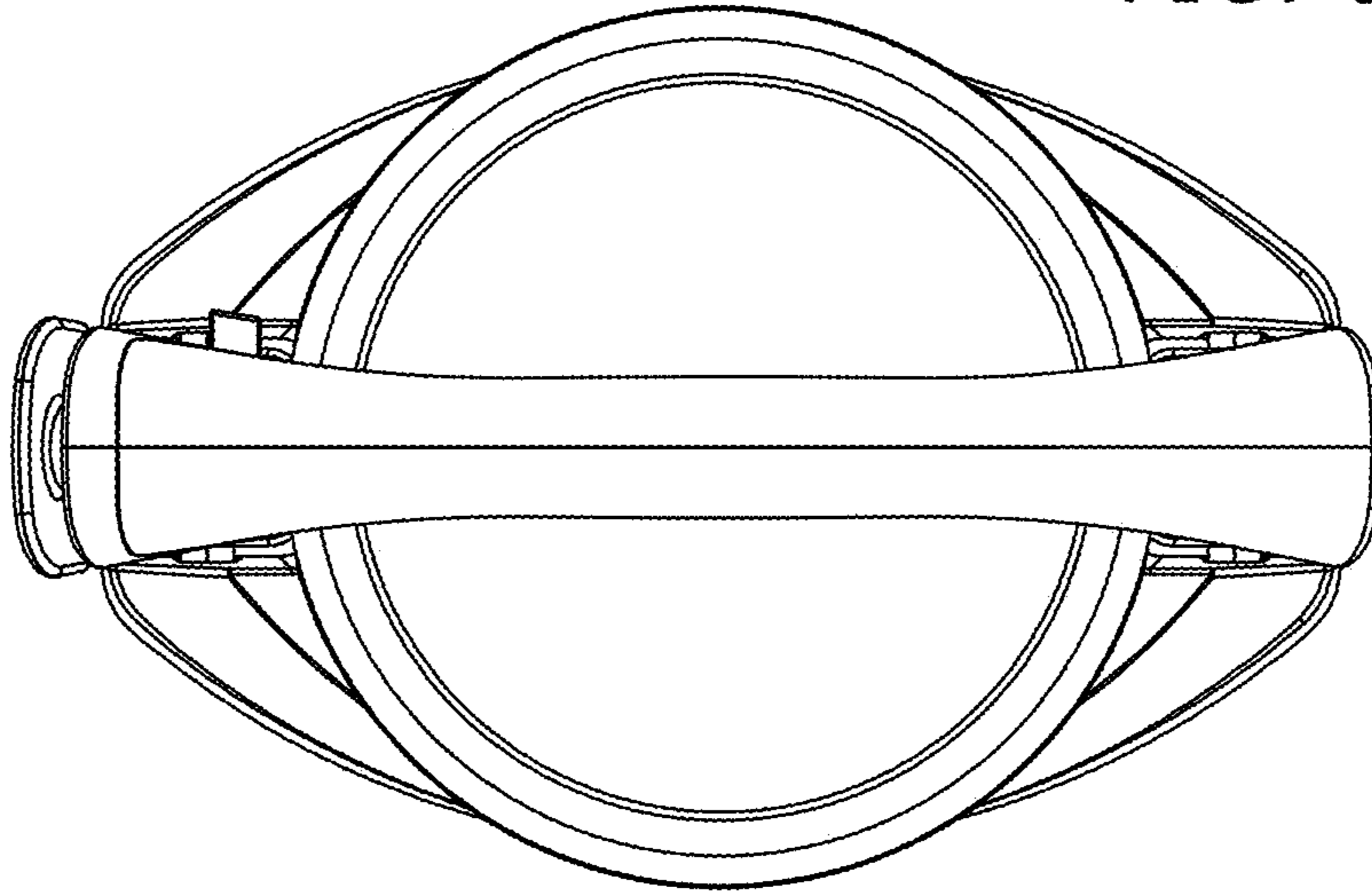


FIG. 7