



US00D959935S

(12) **United States Design Patent**  
**Engler et al.**

(10) **Patent No.:** **US D959,935 S**  
(45) **Date of Patent:** **\*\* Aug. 9, 2022**

(54) **DRINK ACCESSORY**  
(71) Applicant: **P&P Imports LLC**, Irvine, CA (US)  
(72) Inventors: **Peter Engler**, Newport Beach, CA (US); **Peter Tanoury**, Newport Beach, CA (US)

499,264 A \* 6/1893 Troescher ..... B65D 71/72  
206/562  
1,773,017 A \* 8/1930 Thompson ..... A63C 1/42  
280/11.17  
D92,312 S \* 5/1934 Kanter ..... D7/507  
D93,404 S \* 9/1934 Kanter ..... D7/507  
(Continued)

(\*\*) Term: **15 Years**  
(21) Appl. No.: **29/726,985**

**FOREIGN PATENT DOCUMENTS**

CN 302610894 \* 10/2013  
CN 305713140 \* 4/2020  
JP D1574843 \* 4/2017

(22) Filed: **Mar. 6, 2020**  
(51) **LOC (13) Cl.** ..... **07-07**  
(52) **U.S. Cl.**

**OTHER PUBLICATIONS**

GoPong Slamski [online] URL: <https://www.amazon.com/GoPong-Slamski-Vintage-Drinking-Plastic/dp/B07XYPDHSV&th=1> (site visited: Oct. 22, 2021) (Year: 2019).\*  
(Continued)

USPC ..... **D7/701**; D21/766  
(58) **Field of Classification Search**  
USPC ..... D21/668, 694, 763, 771, 801, 670, 698,  
D21/764, 772, 671, 760, 765, 773, 685,  
D21/761, 766, 775, 686, 762, 769, 776;  
D7/701, 702, 703, 704, 705, 706, 707,  
D7/708, 619.1, 619.2, 620, 621, 622, 623,  
D7/624.1, 624.2, 624.3, 625, 601;  
206/426, 480, 560, 565; 220/574, 23.4,  
220/23.86, 23.87, 737  
CPC ..... E04F 15/04; E04F 2201/0115; E04F  
2201/07; C09J 5/00; C09J 5/04; C09J  
2301/408; C09J 2400/303; Y10T  
403/7045; Y10T 403/472; C08K 9/10;  
A47G 23/03; A47G 23/0225; A47G  
23/0641; A47G 19/08; A47G 23/0208;  
A47G 2200/106; A47G 2023/0666; A47B  
13/16; A47J 47/16; A47J 47/005; A47C  
7/68; A47C 7/54

*Primary Examiner* — Jae Liang  
*Assistant Examiner* — Tia Ruth-Renee Polidori  
(74) *Attorney, Agent, or Firm* — Casey H. Kempner;  
Siamak S. Hefazi

See application file for complete search history.

(57) **CLAIM**

The ornamental design for a drink accessory, as shown and described.

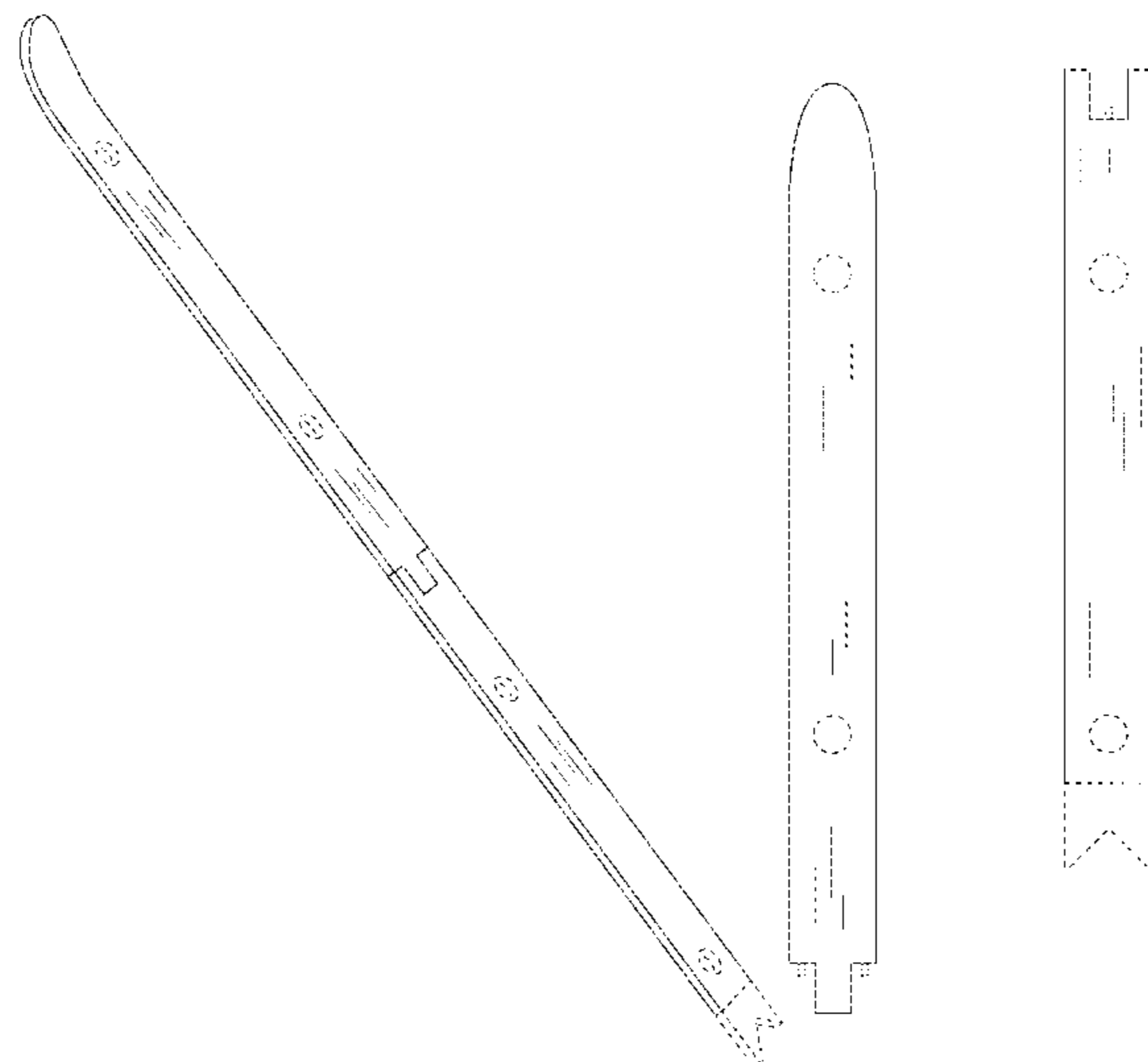
**DESCRIPTION**

FIG. 1 is a perspective view of a drink accessory showing the claimed design in a configuration of use.  
FIG. 2 is a top plan view showing the claimed design separated for clarity of disclosure;  
FIG. 3 is a right-side view thereof, the left-side view being a mirror image;  
FIG. 4 is a front elevation view thereof; and,  
FIG. 5 is a back elevation view thereof.  
The broken lines in the figures show portions of the drink accessory that form no part of the claimed design.

(56) **References Cited**  
**U.S. PATENT DOCUMENTS**

124,275 A \* 3/1872 Lane ..... A47B 13/16  
108/97  
186,604 A \* 1/1877 Nolan ..... E04F 15/04  
52/592.1

**1 Claim, 5 Drawing Sheets**



(56)

References Cited

U.S. PATENT DOCUMENTS

D122,774 S \* 10/1940 Frederick ..... D7/553.4  
 D127,563 S \* 6/1941 Cloutier ..... D7/701  
 2,857,908 A \* 10/1958 Cornfield ..... A61B 13/00  
 600/240  
 D198,098 S \* 4/1964 Kaneko ..... D6/569  
 D201,695 S \* 7/1965 Bieger ..... D7/705  
 3,368,693 A \* 2/1968 Bochory ..... F21V 35/00  
 211/133.6  
 3,577,105 A \* 5/1971 Jones, Jr. .... H01P 1/042  
 333/239  
 4,095,913 A \* 6/1978 Pettersson ..... E04B 1/6125  
 403/364  
 D252,828 S \* 9/1979 Davidson ..... D28/61  
 D260,472 S \* 9/1981 Turcotte, Jr. .... D7/708  
 D261,790 S \* 11/1981 Arnsteiner ..... D21/766  
 D264,112 S \* 4/1982 Roberts ..... D21/766  
 D266,688 S \* 10/1982 Arnsteiner ..... D21/766  
 D291,344 S \* 8/1987 Jonsson ..... D21/766  
 D319,086 S \* 8/1991 Hughes ..... D21/731  
 D363,009 S \* 10/1995 Culp ..... D8/14  
 D372,652 S \* 8/1996 Cool ..... D8/14  
 5,618,602 A \* 4/1997 Nelson ..... E04F 15/02  
 428/60  
 D381,515 S \* 7/1997 Haynes ..... D24/224  
 D385,466 S \* 10/1997 Bellomo ..... 366/343  
 D387,916 S \* 12/1997 Saban ..... D6/358  
 5,899,515 A \* 5/1999 Burns ..... A47G 23/0208  
 294/159  
 6,145,905 A \* 11/2000 Carpenito ..... A47G 23/0641  
 206/565  
 D478,643 S \* 8/2003 Langford ..... D21/765  
 6,675,544 B1 \* 1/2004 Ou ..... E04F 13/10  
 52/539  
 D487,005 S \* 2/2004 Schuler ..... D7/553.4  
 D488,965 S \* 4/2004 Schuler ..... D7/553.4  
 D505,470 S \* 5/2005 Hong ..... A63C 17/12  
 D21/765  
 D507,448 S \* 7/2005 Fiedeler ..... D7/300.2  
 D529,975 S \* 10/2006 Thibodeau ..... D21/766  
 D551,036 S \* 9/2007 Tomaszewski ..... D7/701  
 D551,041 S \* 9/2007 Park ..... D8/19  
 D573,421 S \* 7/2008 Pittsinger ..... D7/701

D576,849 S \* 9/2008 Carfagna ..... D7/550.1  
 7,743,934 B2 \* 6/2010 Martin ..... A47J 47/04  
 220/23.4  
 7,976,034 B1 \* 7/2011 Hong ..... A63C 17/01  
 280/87.042  
 D649,212 S \* 11/2011 Geiger ..... D21/760  
 D649,611 S \* 11/2011 Ollila ..... D21/769  
 D655,572 S \* 3/2012 Evans ..... D7/515  
 8,272,506 B1 \* 9/2012 Flannery ..... A47G 23/02  
 206/217  
 D681,397 S \* 5/2013 Coyne ..... D7/550.1  
 8,459,670 B1 \* 6/2013 Tizzone ..... A63C 17/015  
 280/87.042  
 D699,085 S \* 2/2014 Reid, Jr. .... D7/701  
 D703,001 S \* 4/2014 Gross ..... D7/555  
 D738,039 S \* 9/2015 Chen ..... D27/183  
 9,155,385 B2 \* 10/2015 Williams ..... A47B 57/04  
 D774,325 S \* 12/2016 Belokin ..... D6/571  
 D784,470 S \* 4/2017 Kesselman ..... D21/765  
 D789,217 S \* 6/2017 Antons ..... D9/737  
 D790,016 S \* 6/2017 DeLeon ..... D21/773  
 D803,644 S \* 11/2017 Schiff ..... D8/19  
 9,808,704 B1 \* 11/2017 Crossland ..... A63C 17/0086  
 10,251,501 B2 \* 4/2019 Capobianco ..... A47G 23/06  
 D873,088 S \* 1/2020 Lee ..... D7/605  
 D891,884 S \* 8/2020 Lemmond ..... D7/701  
 10,758,811 B2 \* 9/2020 Smith ..... A63C 5/02  
 D907,732 S \* 1/2021 Glynn ..... D21/766  
 D918,322 S \* 5/2021 Fagerberg ..... D21/765  
 2019/0234079 A1 \* 8/2019 Edwall ..... E04F 15/02038  
 2021/0059450 A1 \* 3/2021 Ferrone ..... A47G 23/0641

OTHER PUBLICATIONS

Shot Ski [online] URL: <https://www.markandgraham.com/products/shot-ski/?sku=4040525> (site visited: Oct. 22, 2021) (Year: 2021).\*  
 Shot Board Ski [online] URL: <https://www.amazon.com/Rusted-Pine-LLCShot-Board/dp/B07LC4HN7Y> (site visited: Oct. 26, 2021) (Year: 2018).\*  
 Leightools [online] URL: <https://leightools.com/wp-content/uploads/2017/04/Wooden-hinges-for-boxes.pdf> (site visited: Jan. 14, 2022) (Year: 2010).\*  
 Upcycled [online] URL: <https://www.upcycledzine.com/snow-ski-wine-rack/> (site visited: Apr. 8, 2022) (Year: 2017).\*

\* cited by examiner

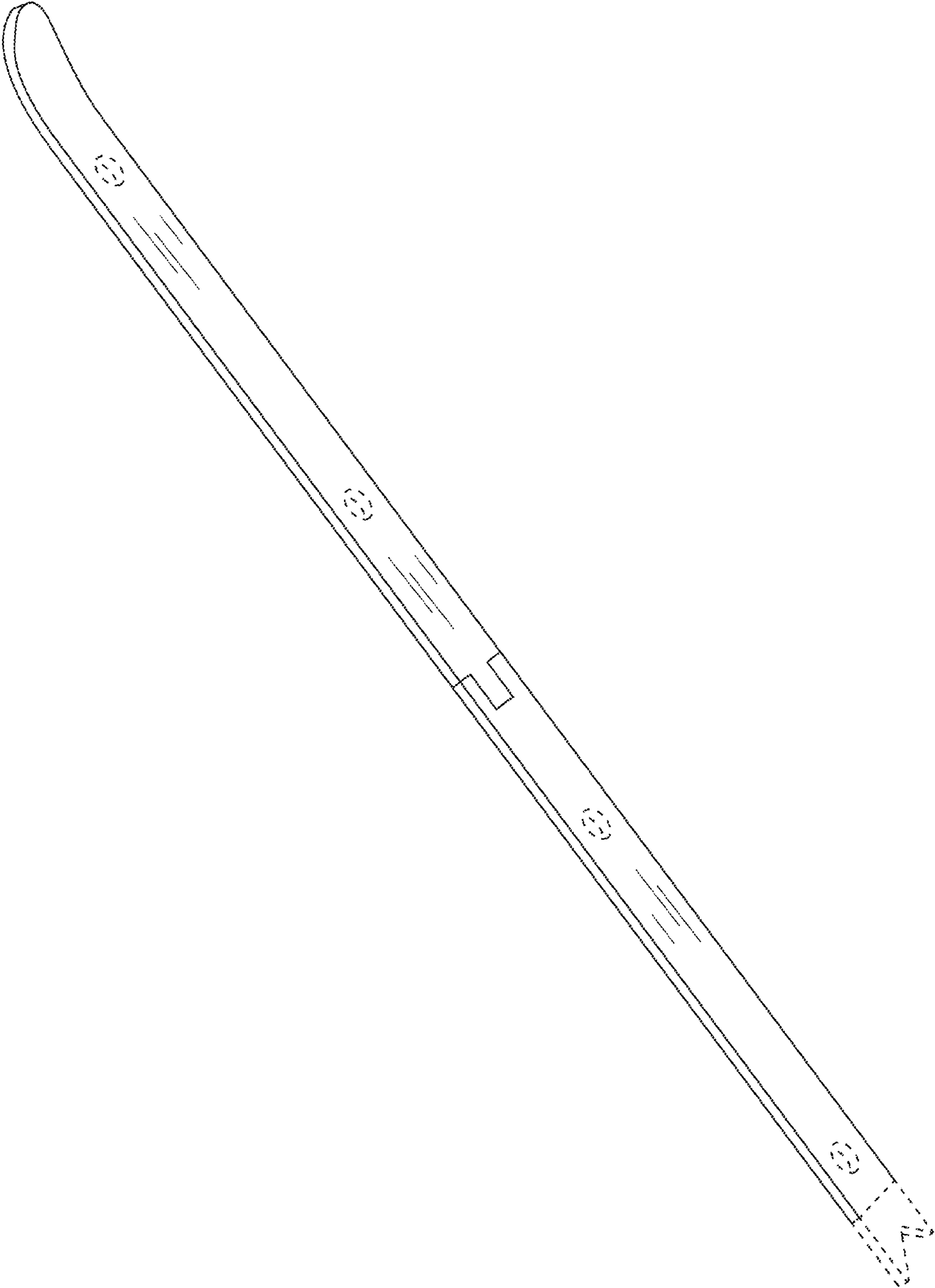


FIG. 1

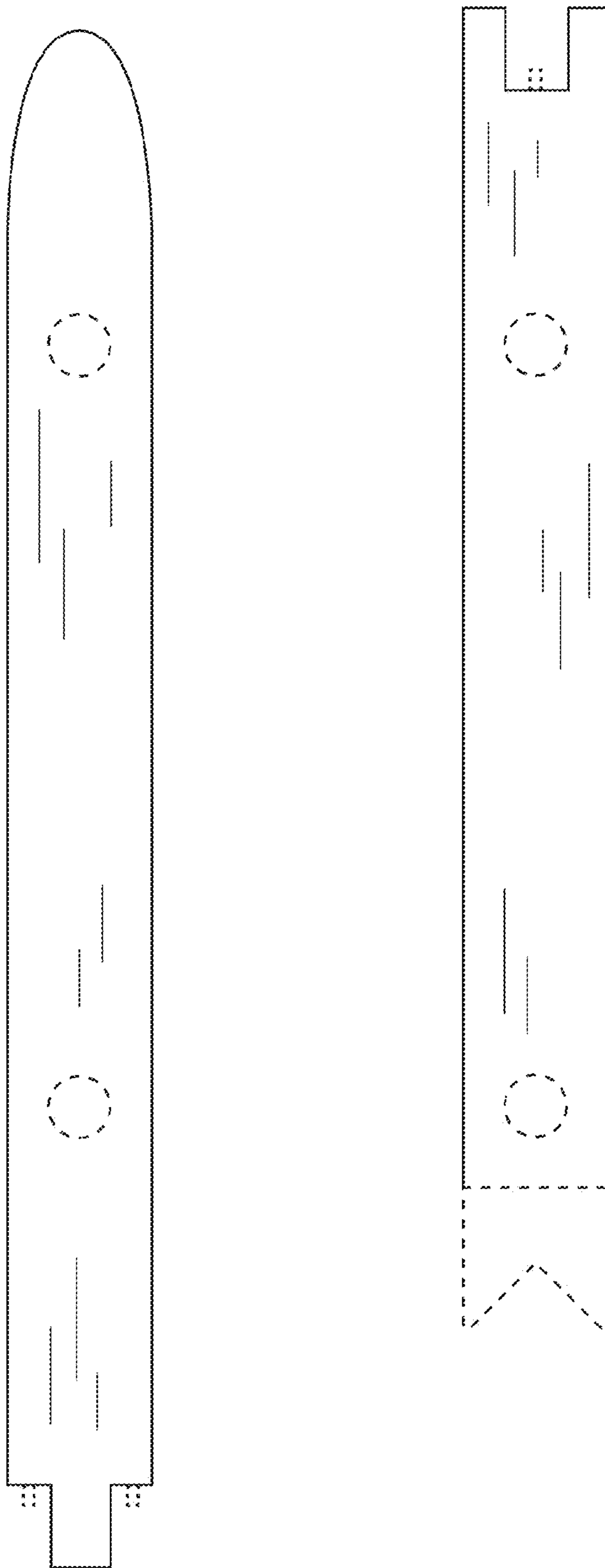


FIG. 2



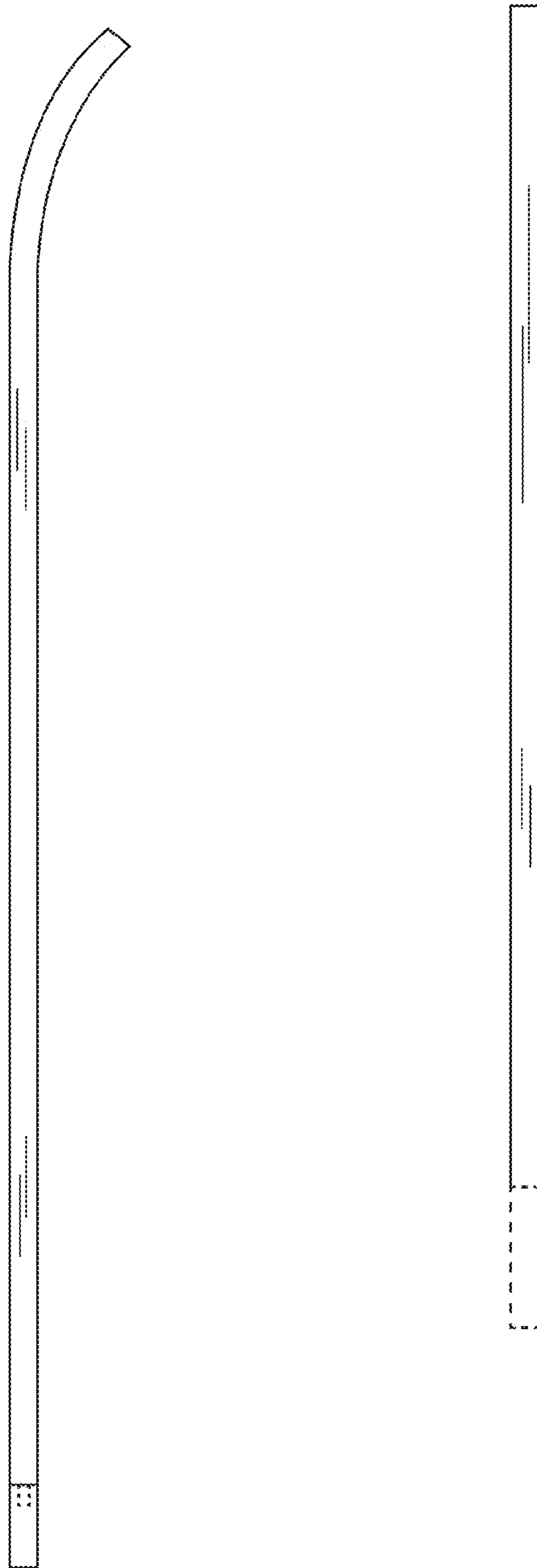


FIG. 3

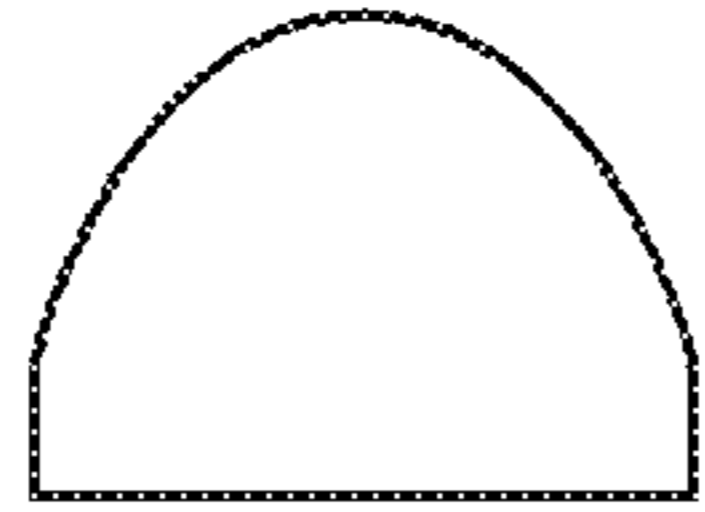


FIG. 4



FIG. 5