



US00D959930S

(12) **United States Design Patent** (10) **Patent No.:** **US D959,930 S**  
**Chapman et al.** (45) **Date of Patent:** **\*\* Aug. 9, 2022**

(54) **GRATER**

(71) Applicant: **FRESHLINK PRODUCT DEVELOPMENT, LLC**, New York, NY (US)

(72) Inventors: **Dean Chapman**, Montclair, NJ (US); **Benjamin Broerman**, Montclair, NJ (US)

(73) Assignee: **FRESHLINK PRODUCT DEVELOPMENT, LLC**, New York, NY (US)

(\*\*) Term: **15 Years**

(21) Appl. No.: **29/750,595**

(22) Filed: **Sep. 15, 2020**

(51) **LOC (13) Cl.** ..... **07-04**

(52) **U.S. Cl.**  
USPC ..... **D7/678**

(58) **Field of Classification Search**  
USPC ..... D7/678, 693, 672-677, 381  
CPC ... B26D 1/30; B26D 3/20; B26D 3/26; B26D 3/185; B26D 3/283; B26D 5/00; B26D 7/00; B26D 7/18; B26D 7/01; A47J 43/25; A47J 43/00; A47J 43/255; A47J 19/04; A47J 17/02; A47J 17/04

See application file for complete search history.

(56) **References Cited**

U.S. PATENT DOCUMENTS

D259,534 S *	6/1981	Daenen	.....	D7/678
D463,958 S *	10/2002	Kon	.....	D7/678
D593,819 S *	6/2009	McGuyer	.....	D7/693
2016/0338543 A1 *	11/2016	D'Angelo	.....	A47J 43/25

\* cited by examiner

*Primary Examiner* — Terry A Wallace

(74) *Attorney, Agent, or Firm* — Burriss Law, PLLC

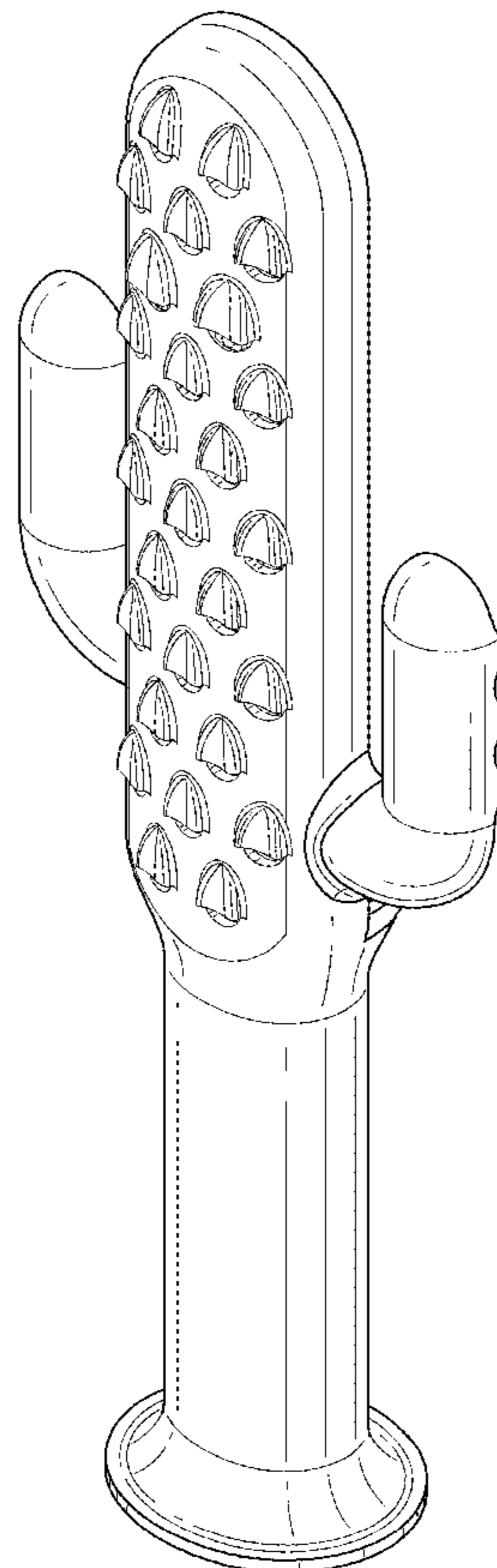
(57) **CLAIM**

The ornamental design for a grater, as shown and described.

**DESCRIPTION**

FIG. 1 is a front-right perspective view of a grater showing our new design;  
 FIG. 2 is a rear-right perspective view thereof;  
 FIG. 3 is a front elevational view thereof;  
 FIG. 4 is a rear elevational view thereof;  
 FIG. 5 is a left side elevational view thereof;  
 FIG. 6 is a right side elevational view thereof;  
 FIG. 7 is a top plan view thereof;  
 FIG. 8 is a bottom plan view thereof; and,  
 FIG. 9 is a sectional view taken along line 9-9 of FIG. 3.  
 The broken lines depict portions of a grater in which the design is embodied that form no part of the claimed design.

**1 Claim, 7 Drawing Sheets**



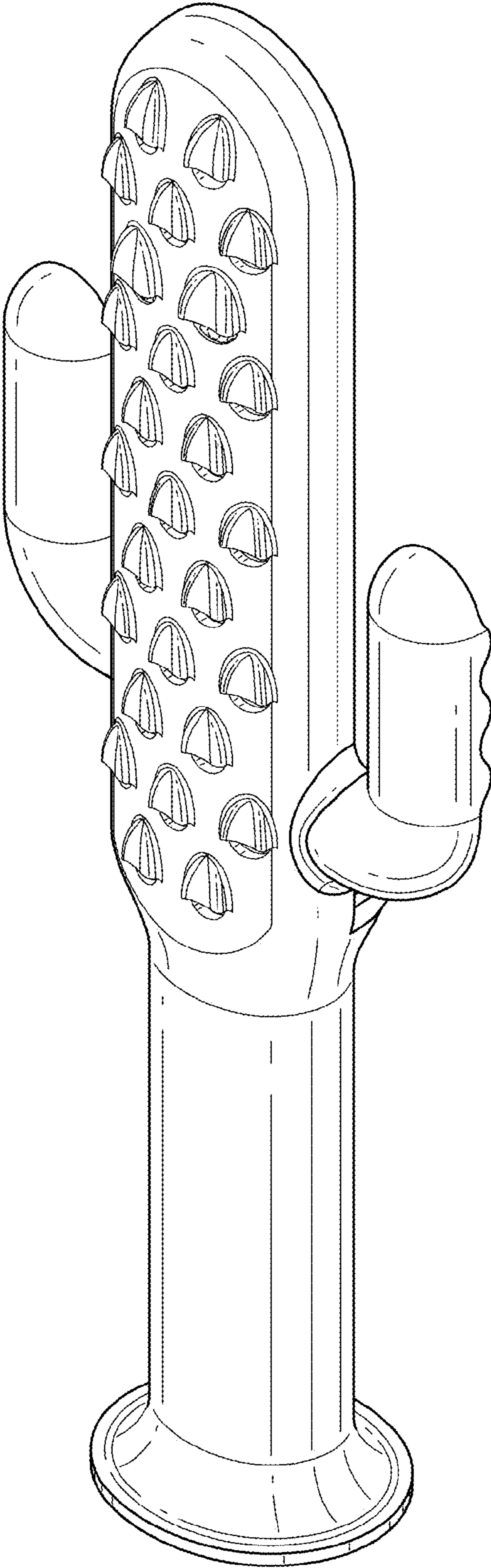


FIG. 1

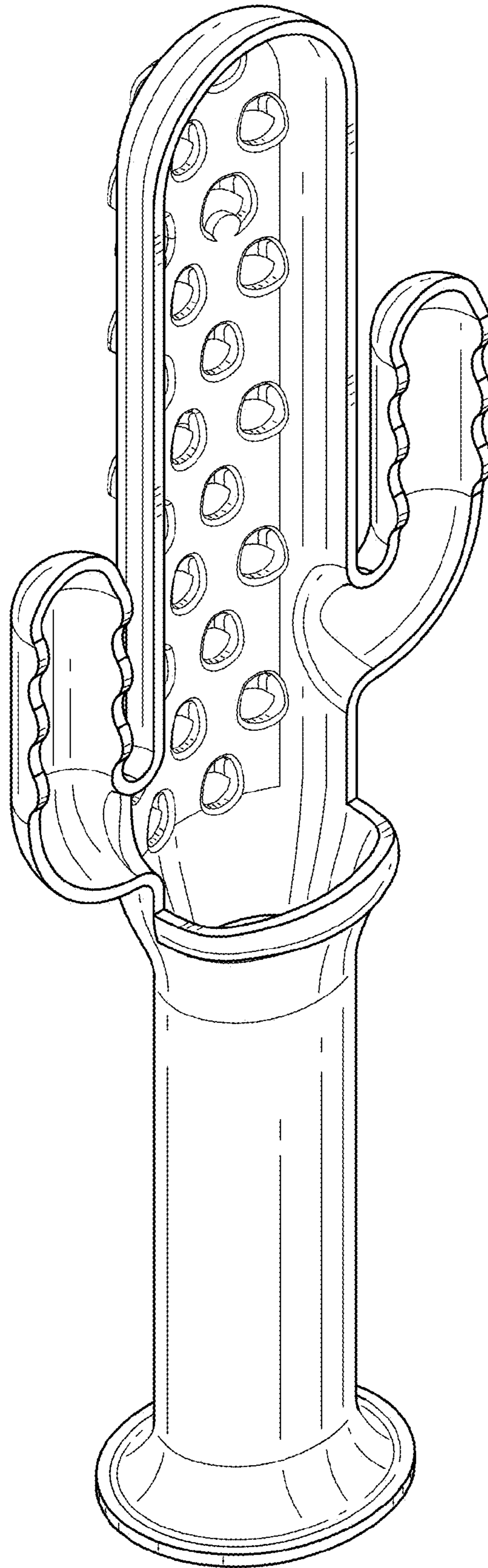


FIG.2

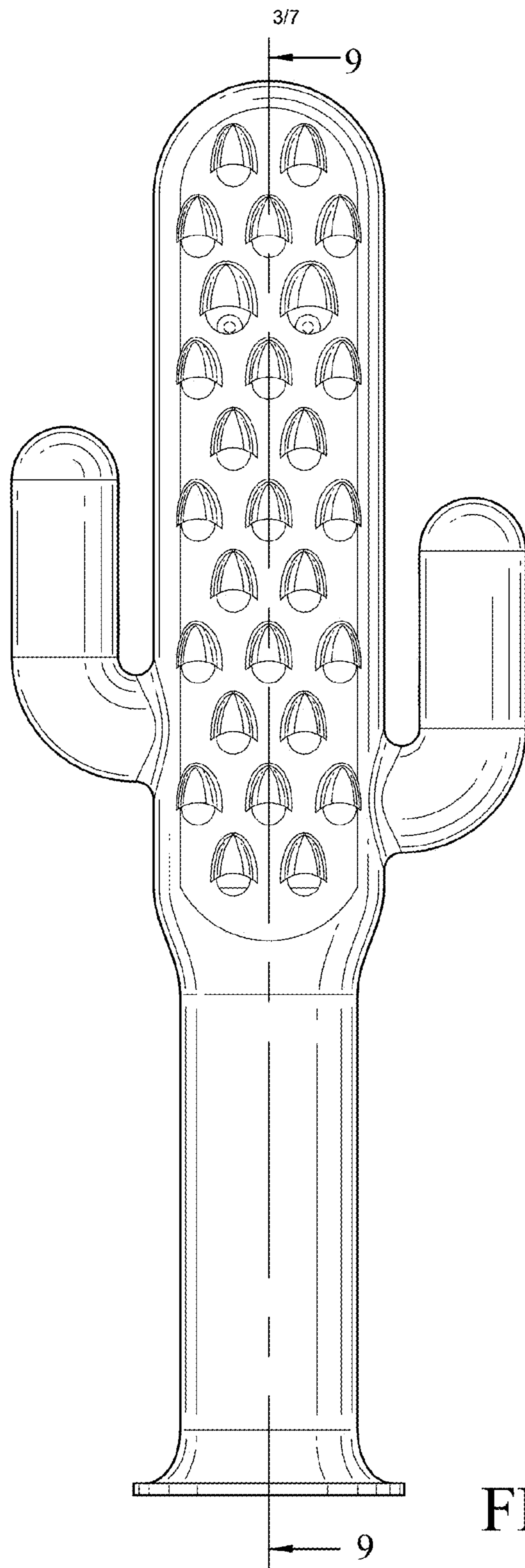


FIG. 3

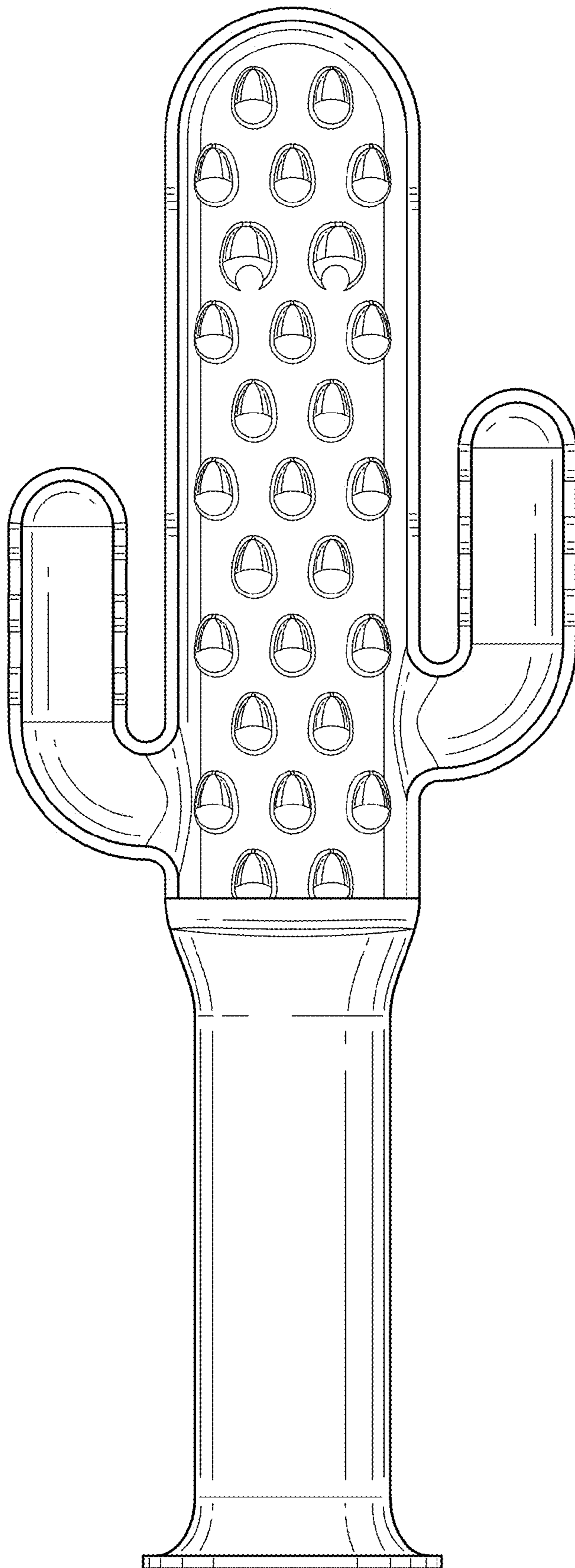


FIG. 4

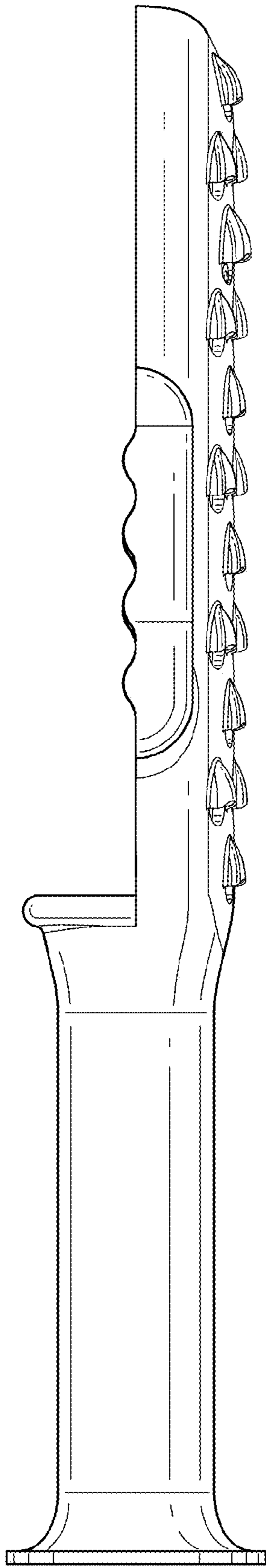


FIG. 5

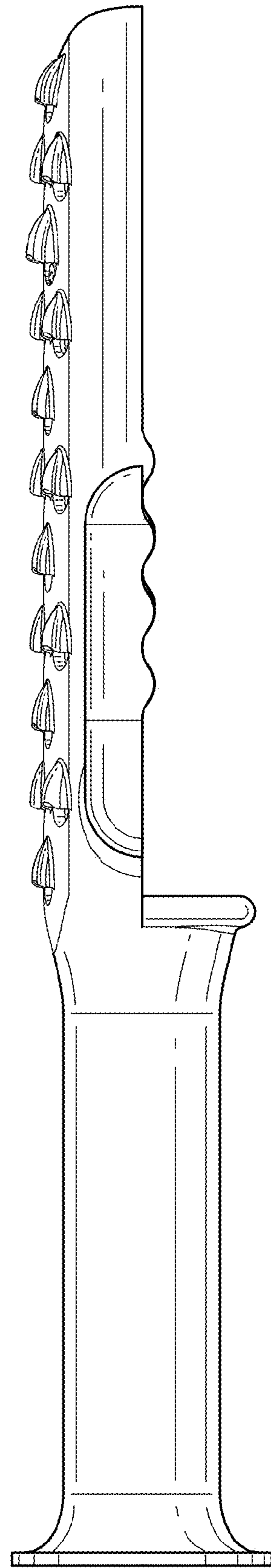


FIG. 6

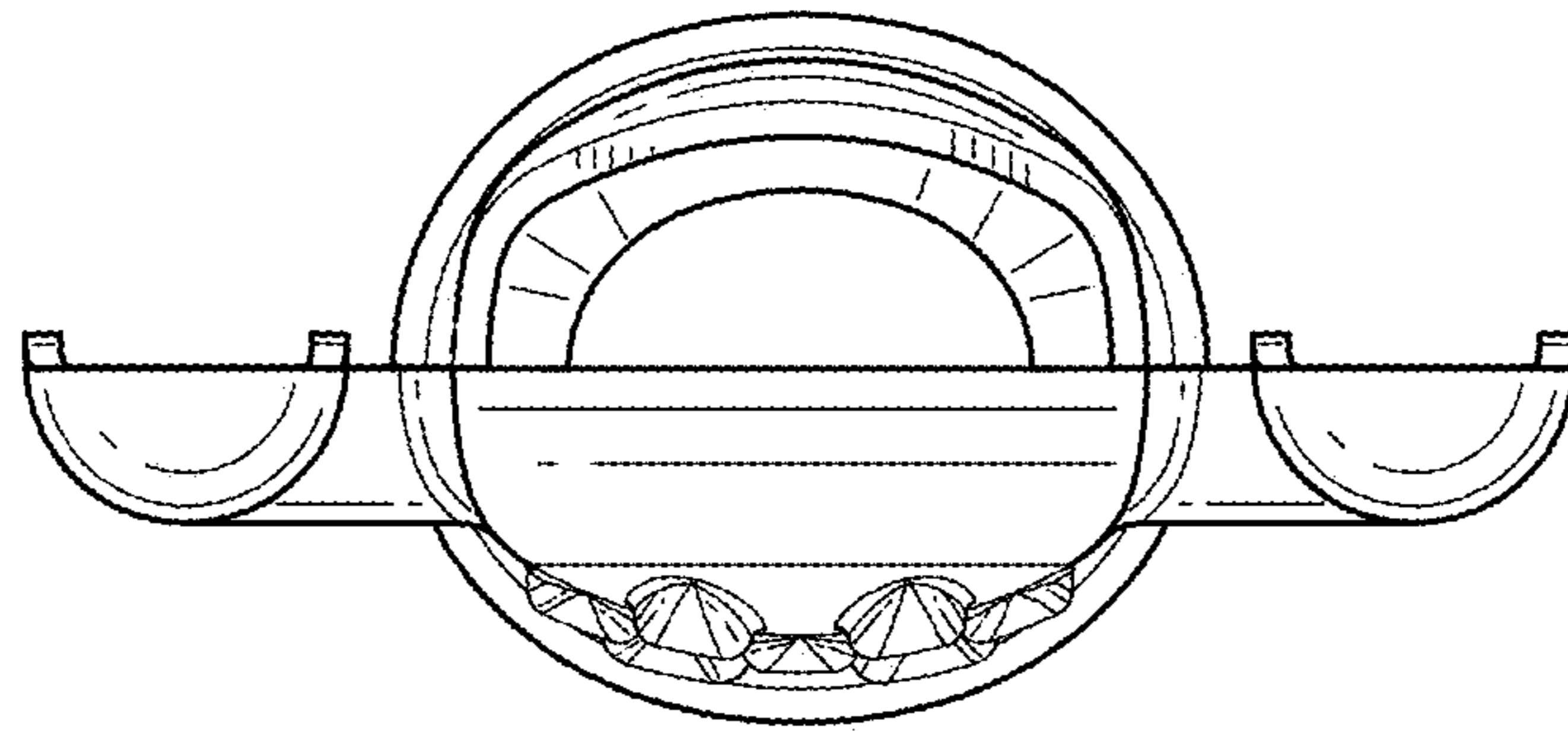


FIG. 7

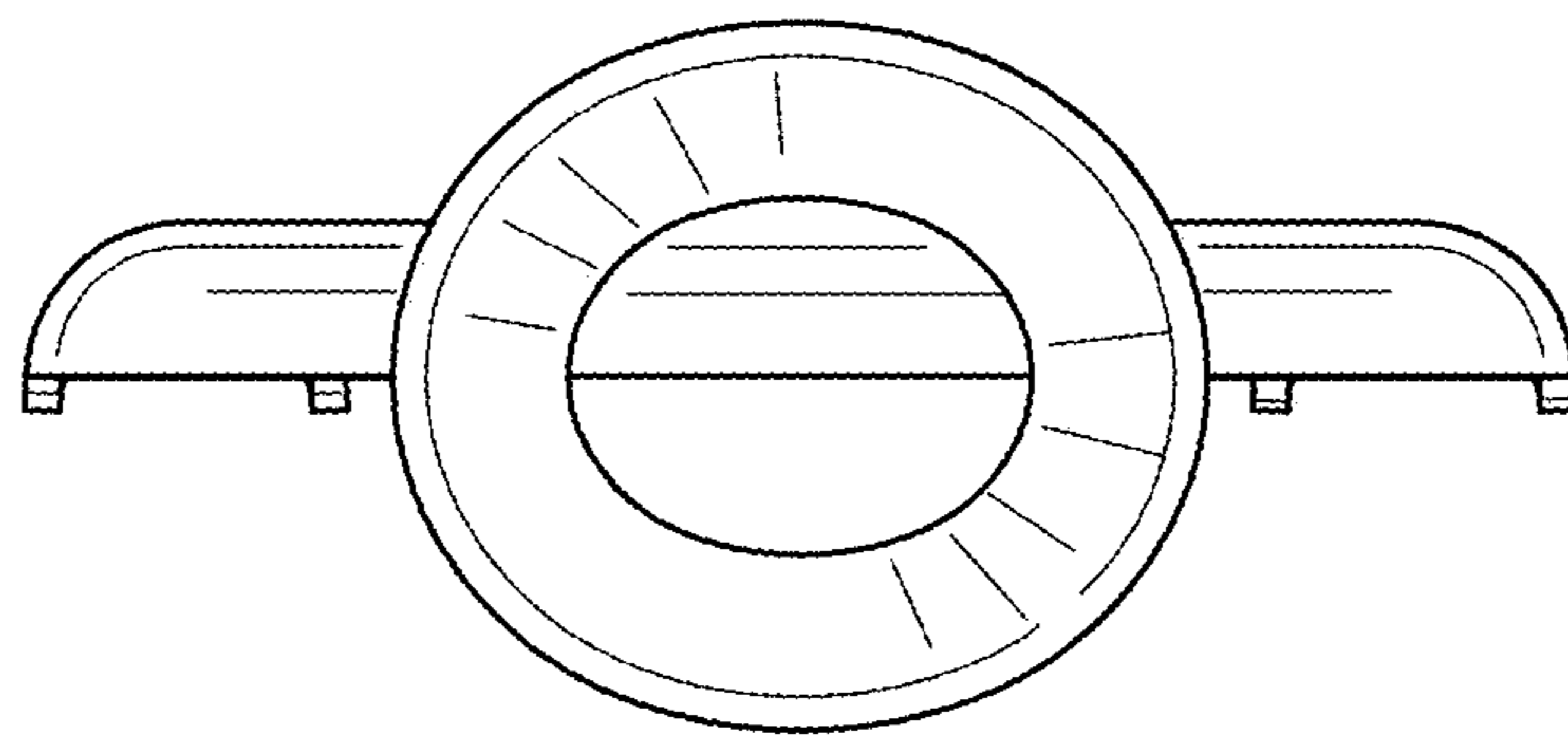


FIG. 8

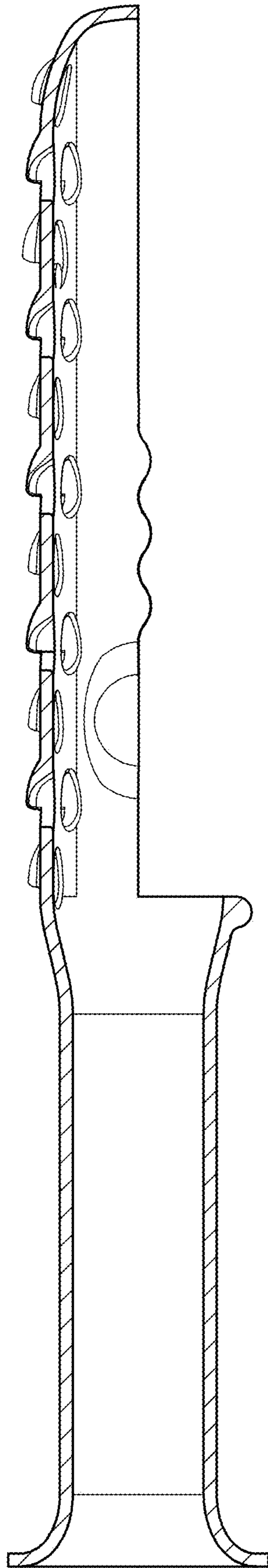


FIG.9