



US00D959929S

(12) **United States Design Patent**
Kelly

(10) **Patent No.:** **US D959,929 S**

(45) **Date of Patent:** **** Aug. 9, 2022**

- (54) **HOT DOG BUN MOLD**
- (71) Applicant: **Lucille Kelly**, Hays, NC (US)
- (72) Inventor: **Lucille Kelly**, Hays, NC (US)
- (**) Term: **15 Years**
- (21) Appl. No.: **29/744,221**
- (22) Filed: **Jul. 28, 2020**
- (51) **LOC (13) Cl.** **07-04**
- (52) **U.S. Cl.**
USPC **D7/674**
- (58) **Field of Classification Search**
USPC D7/337, 357, 354, 360, 398, 402, 609,
D7/666, 667, 672, 674
CPC A21B 3/13; A21B 3/132; A21B 3/133;
A21B 3/134; A21B 3/137; A21C 9/081;
B30B 1/04; B30B 9/02; B30B 9/04;
B30B 9/06; B30B 25/005; A47J 17/02;
A47J 19/02; A47J 19/04; A47J 19/005;
A47J 19/06; A47J 43/04; A47J 43/25;
A47J 45/00
See application file for complete search history.

- D274,693 S * 7/1984 Cruz D9/425
- D293,193 S * 12/1987 Vandervoort D7/354
- D361,514 S * 8/1995 Krupa A23G 3/0268
D9/456
- D362,158 S * 9/1995 Smith A21C 9/081
D7/629
- 5,690,019 A 11/1997 Barker
- 8,714,077 B2 * 5/2014 Roake A47J 37/0772
99/441
- 9,468,216 B2 10/2016 Parth
- 2002/0178929 A1 * 12/2002 Davis A21C 9/081
99/426
- 2007/0235627 A1 10/2007 Leach
- 2012/0201927 A1 * 8/2012 Meikle A47J 37/01
426/62
- 2014/0099415 A1 * 4/2014 Rhome A23G 3/0268
99/403
- 2014/0272056 A1 * 9/2014 Parth A21D 13/32
426/496
- 2018/0064285 A1 * 3/2018 Ogawa A21B 5/00

FOREIGN PATENT DOCUMENTS

EP 2676546 12/2013

* cited by examiner

Primary Examiner — Joseph Kukella
Assistant Examiner — Darryl J Dardenne

(56) **References Cited**

U.S. PATENT DOCUMENTS

- 1,139,037 A * 5/1915 Huth A47J 37/049
99/428
- 1,979,429 A * 11/1934 Clarence A21B 5/04
99/430
- 2,009,602 A * 7/1935 Bauer A21B 3/132
99/427
- 2,810,338 A * 10/1957 Dawson A21B 3/132
426/138
- D205,126 S 6/1966 Haessler
- 3,794,455 A 2/1974 Heiderpriem
- 3,943,840 A 3/1976 Bolte
- 4,047,477 A * 9/1977 Berke A21B 3/13
99/428
- 4,190,229 A 2/1980 Bradshaw

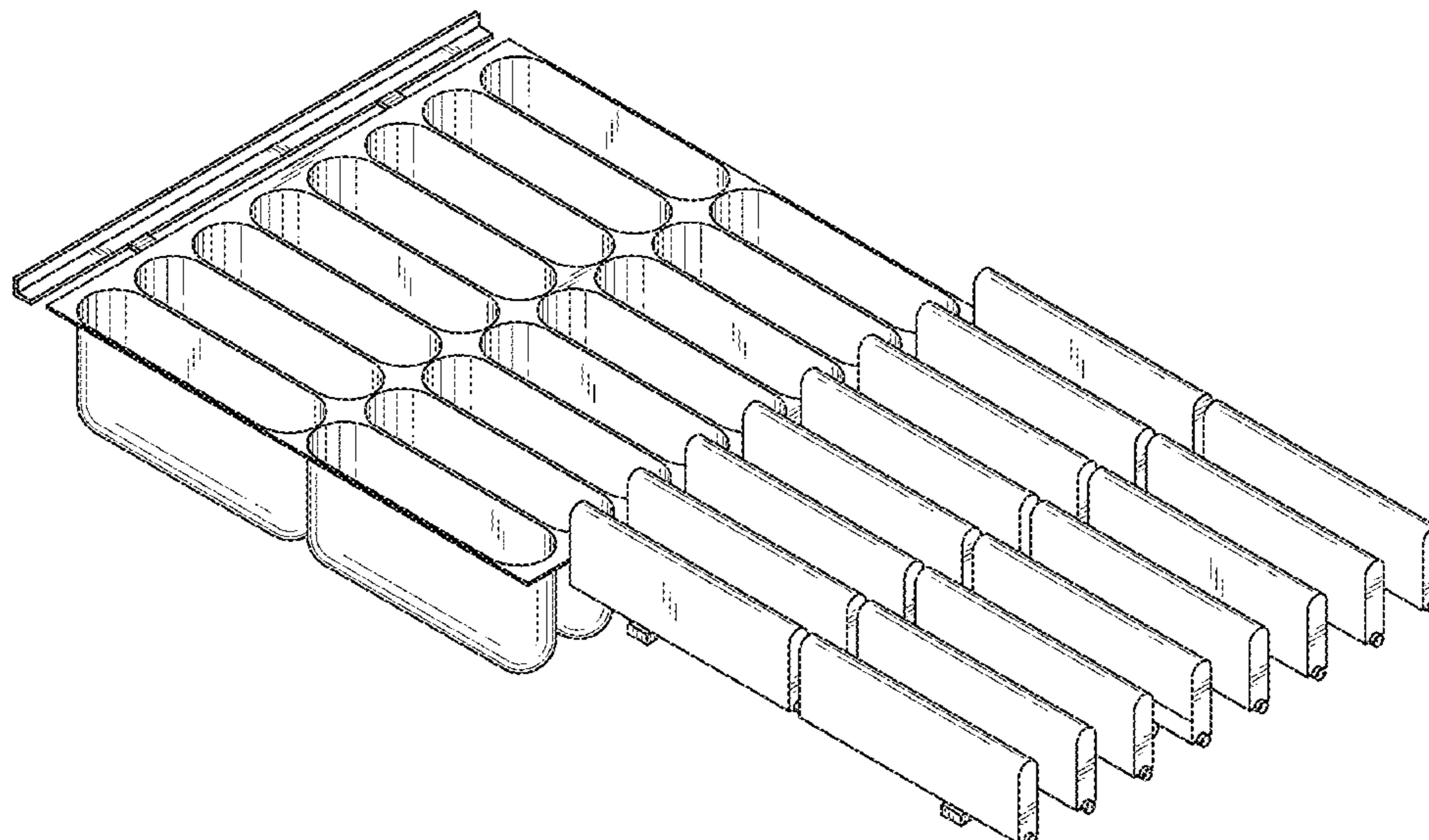
(57) **CLAIM**

I claim the ornamental design for a hot dog bun mold, as shown and described.

DESCRIPTION

FIG. 1 is a front view of the hot dog bun mold.
FIG. 2 is a rear view of the claimed design.
FIG. 3 is a right side view of the claimed design.
FIG. 4 is a left side view of the claimed design.
FIG. 5 is a top view of the claimed design.
FIG. 6 is a bottom view of the claimed design; and,
FIG. 7 is a perspective view of the claimed design.

1 Claim, 5 Drawing Sheets



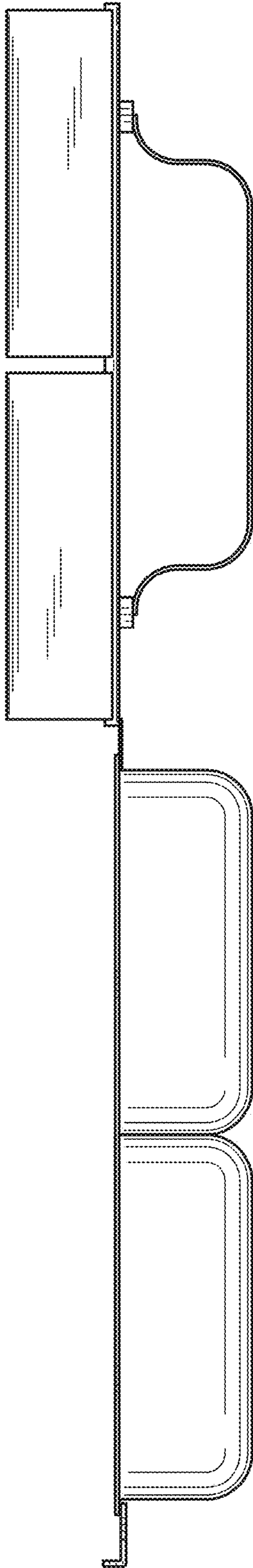


FIG. 1

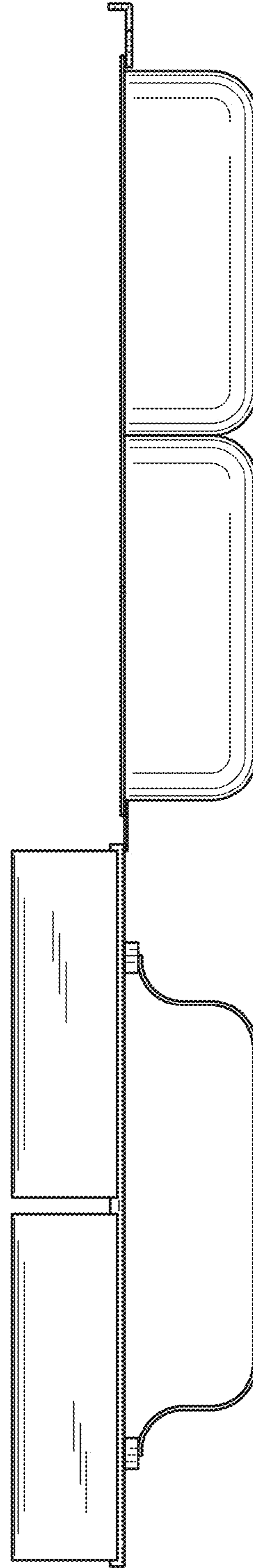


FIG. 2

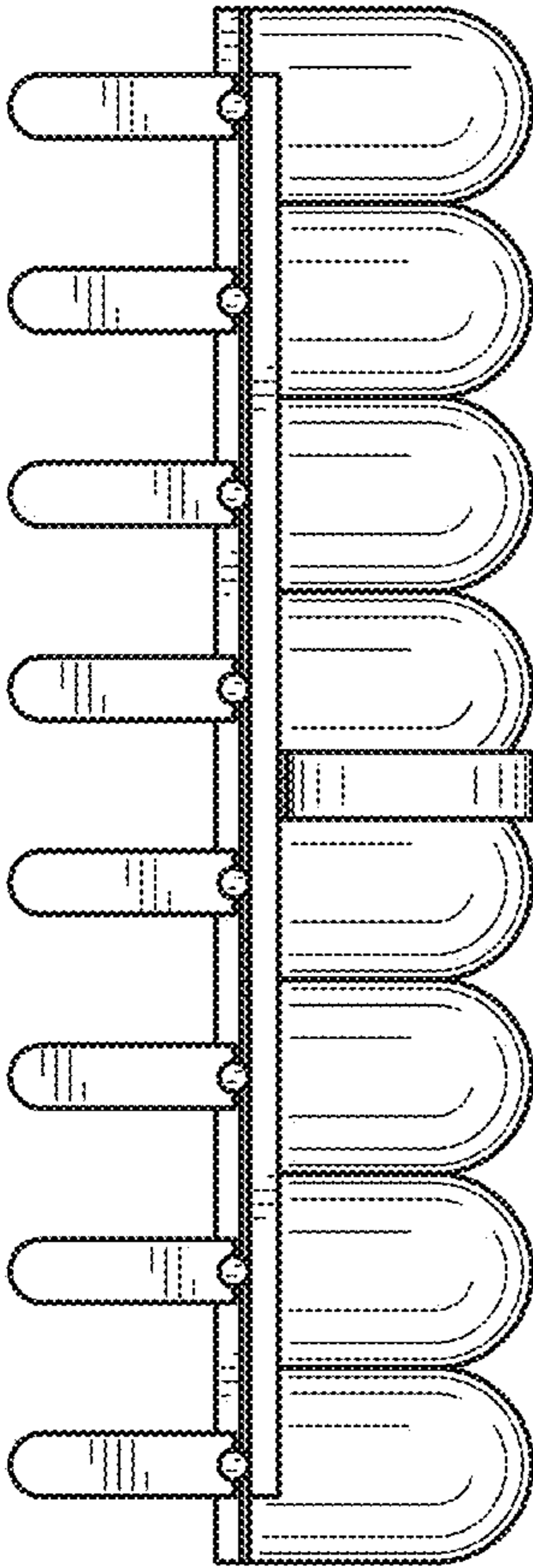


FIG. 3

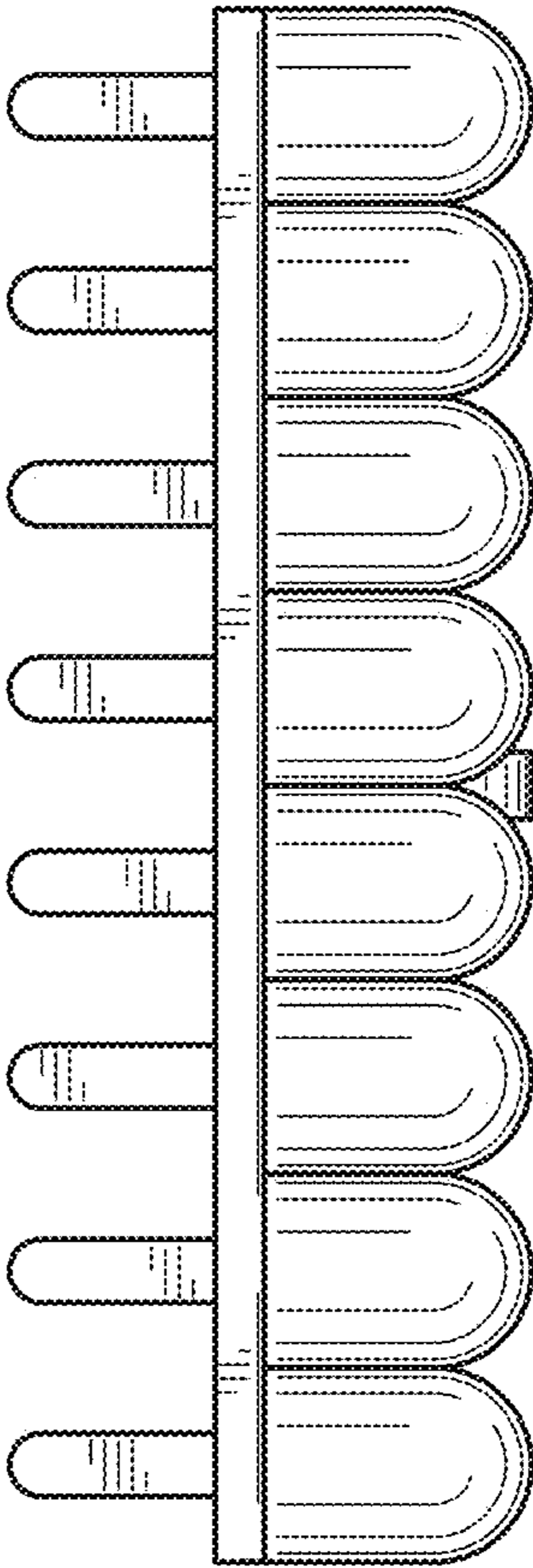


FIG. 4

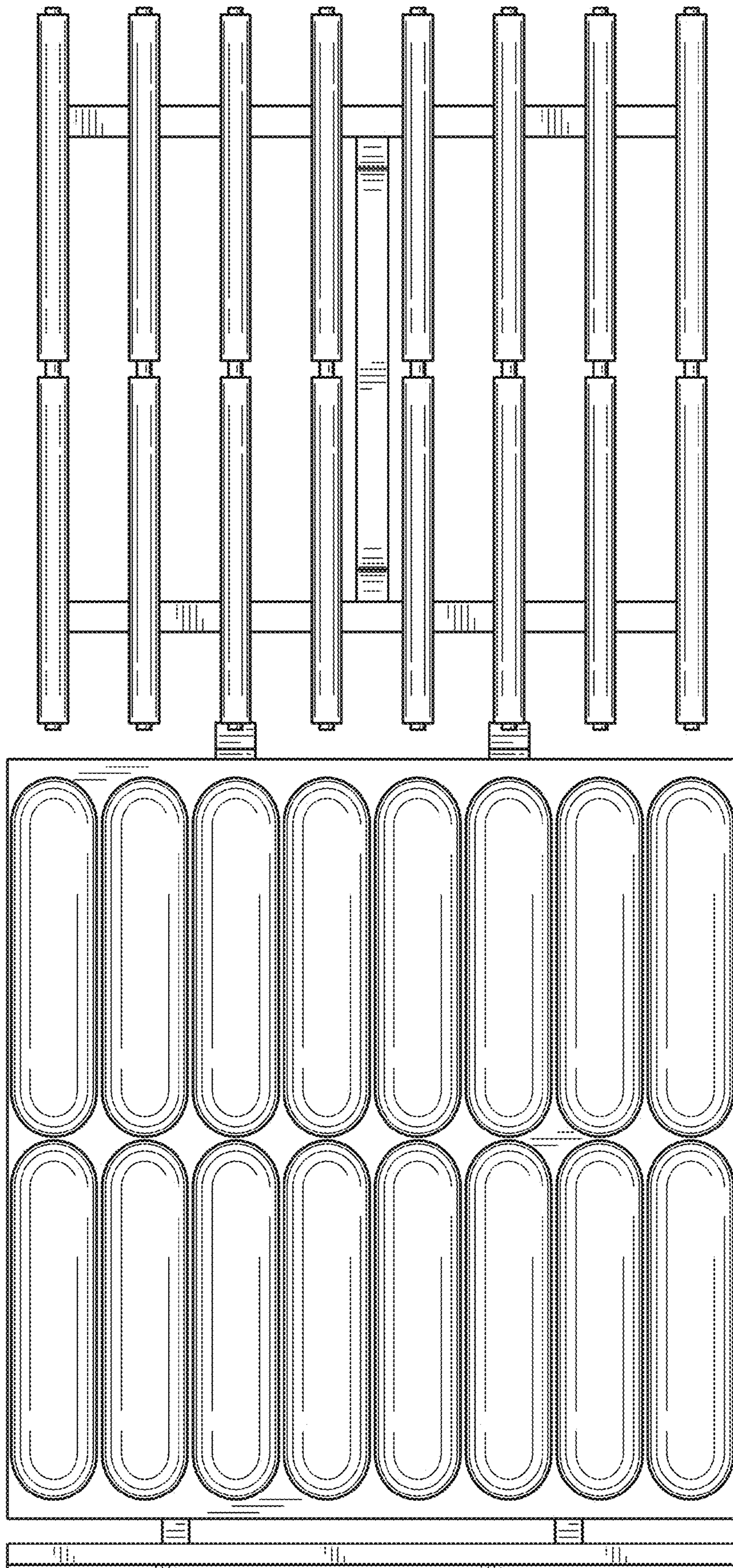


FIG. 5

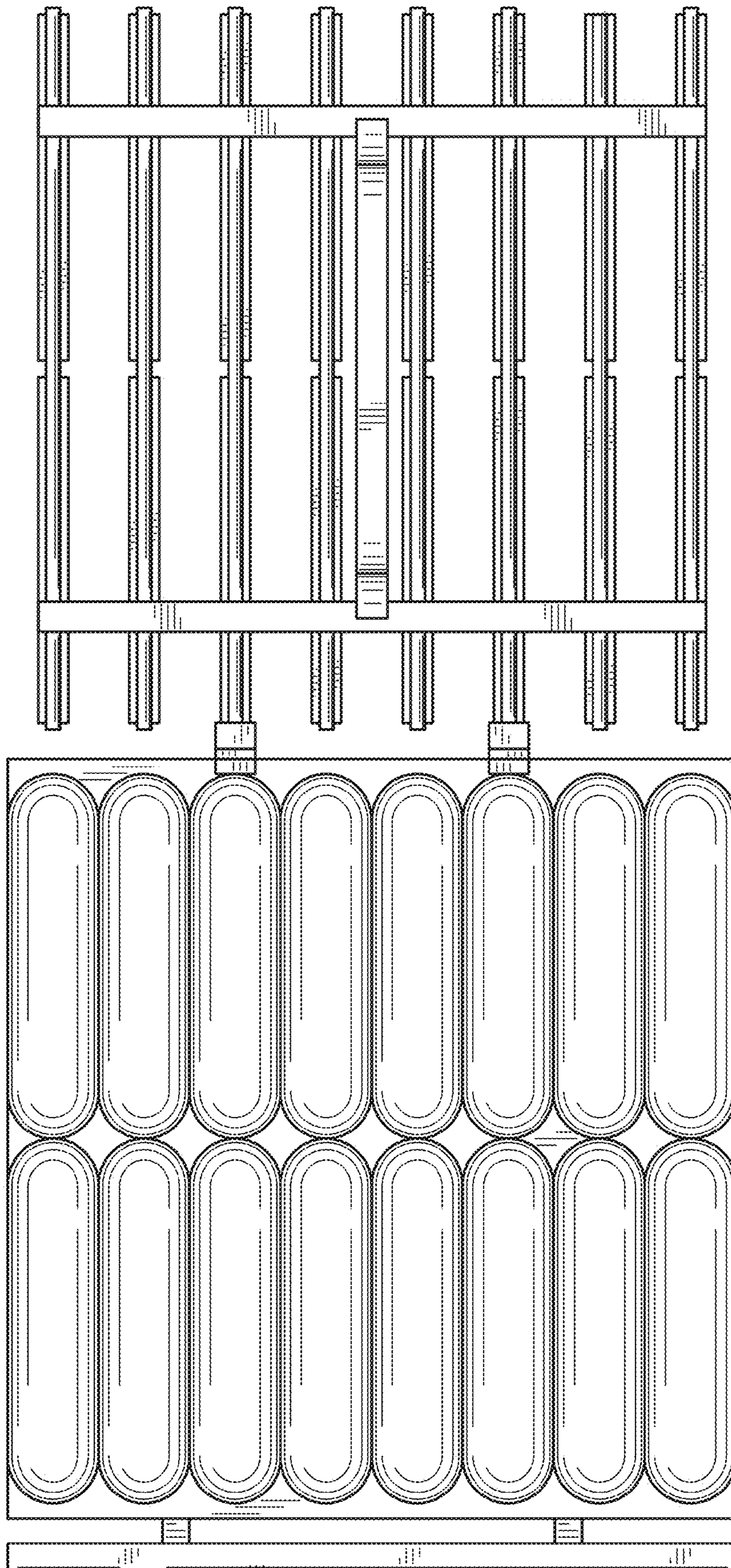


FIG. 6

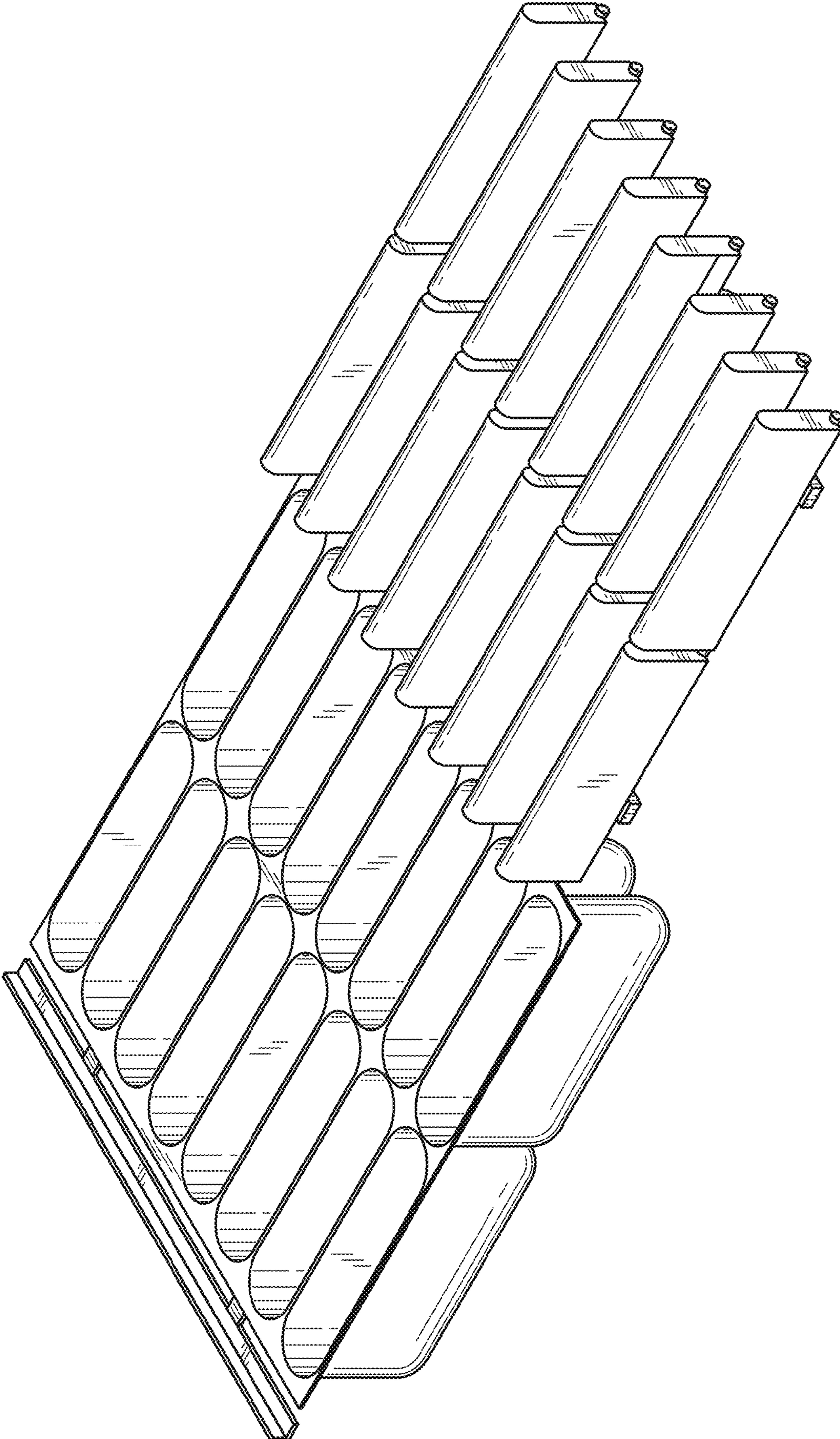


FIG. 7