



US00D959925S

(12) **United States Design Patent**
Holmes et al.

(10) **Patent No.:** **US D959,925 S**

(45) **Date of Patent:** **** Aug. 9, 2022**

(54) **LIDDED CONTAINER**

(71) Applicant: **Sistema Plastics Limited**, Auckland (NZ)

(72) Inventors: **Raymond Holmes**, Auckland (GB);
Cameron Lindsay, Auckland (NZ)

(73) Assignee: **Sistema Plastics Limited**, Auckland (NZ)

(**) Term: **15 Years**

(21) Appl. No.: **29/744,676**

(22) Filed: **Jul. 30, 2020**

(30) **Foreign Application Priority Data**

Jan. 30, 2020 (NZ) 427058

(51) **LOC (13) Cl.** **09-07**

(52) **U.S. Cl.**
USPC **D7/629**

(58) **Field of Classification Search**
USPC D7/294, 319, 360, 368, 392.1, 420,
D7/548-549, 555, 601-603, 605,
D7/629-630, 637, 708.1; D9/414-416,
D9/424-425, 430-432, 759-761; D3/309
CPC B65D 81/24; B65D 1/18; B65D 2581/34;
B65D 2581/00; B65D 1/36; B65D 5/2066
See application file for complete search history.

(56) **References Cited**

U.S. PATENT DOCUMENTS

D481,910 S * 11/2003 Kim D7/629
D483,622 S * 12/2003 Kim D7/629
D489,530 S 5/2004 Lindsay
6,793,096 B1 * 9/2004 Seok B65D 43/0218
220/326

D544,762 S * 6/2007 Zimmerman D7/601
D606,812 S * 12/2009 Wu D7/629
D610,878 S * 3/2010 Kim D7/629

(Continued)

FOREIGN PATENT DOCUMENTS

CN ZL201230324579.9 2/2013
CN 303801997 * 8/2016

(Continued)

OTHER PUBLICATIONS

2.2L Rectangle Klip It Plus Food Storage Container, Sistema, sistemaplastics.com, author unlisted, published on Sep. 19, 2020 per wayback machine © 2021 Sistema Plastics, online, site visited Sep. 25, 2021. Available at, URL: <https://sistemaplastics.com/products/klip-it-plus/2.2l-rectangle> (Year: 2020).*

(Continued)

Primary Examiner — Holly E Thurman

Assistant Examiner — Altaira J Swangin

(74) *Attorney, Agent, or Firm* — McCarter & English, LLP

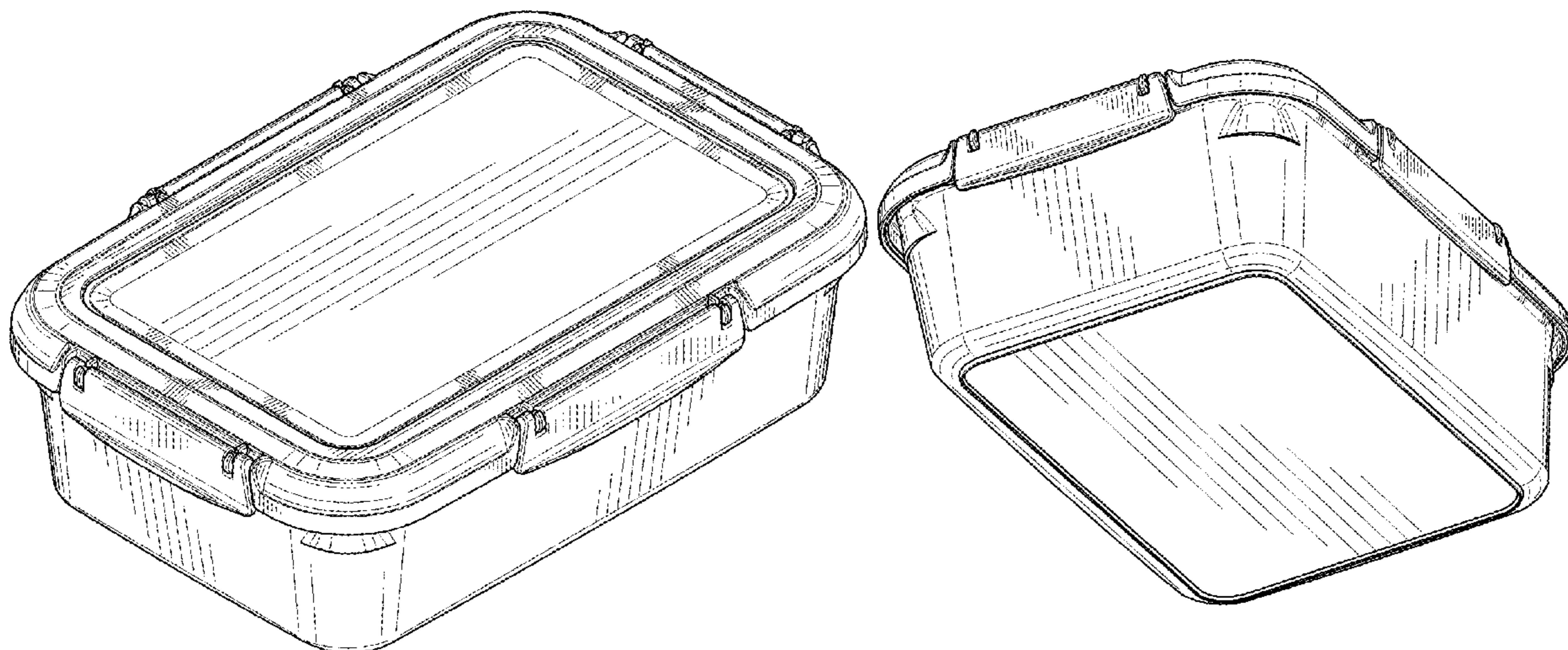
(57) **CLAIM**

The ornamental design for a lidded container, as shown and described.

DESCRIPTION

FIG. 1 is a top front perspective view of a lidded container; FIG. 2 is a bottom front perspective view of the lidded container of FIG. 1; FIG. 3 is a front view of the lidded container of FIG. 1; FIG. 4 is a rear view of the lidded container of FIG. 1; FIG. 5 is a right side view of the lidded container of FIG. 1; FIG. 6 is a left side view of the lidded container of FIG. 1; FIG. 7 is a top view of the lidded container of FIG. 1; and, FIG. 8 is a bottom view of the lidded container of FIG. 1.

1 Claim, 8 Drawing Sheets



(56)

References Cited

U.S. PATENT DOCUMENTS

D692,281 S * 10/2013 George D7/629
 D698,614 S * 2/2014 Duvigneau D7/629
 D755,579 S * 5/2016 Wu D7/629
 D758,806 S * 6/2016 Morales D7/629
 D803,631 S * 11/2017 Min D7/605
 D803,637 S * 11/2017 Feng D7/629
 D830,790 S * 10/2018 Lee D7/629
 D880,248 S * 4/2020 Zhen D7/602
 D883,754 S * 5/2020 Xu D7/629
 D904,132 S * 12/2020 Holding D7/629
 D921,444 S * 6/2021 Lindsay D7/629
 D921,445 S * 6/2021 Lindsay D7/629
 D938,783 S * 12/2021 Whitehead D7/605
 D944,640 S * 3/2022 Wu D9/425
 D948,965 S * 4/2022 Guo D7/629
 2004/0084464 A1* 5/2004 Koo B65D 43/0218
 220/784
 2008/0105674 A1* 5/2008 Hsu A47J 36/027
 219/735
 2010/0237070 A1* 9/2010 Coonce B65D 81/2038
 220/203.29

2012/0267369 A1* 10/2012 Duvigneau B65D 81/262
 220/203.01
 2014/0103033 A1* 4/2014 Beckman B65D 43/0212
 220/4.01
 2017/0166383 A1* 6/2017 Moon B65D 81/2015

FOREIGN PATENT DOCUMENTS

KR 300824021.0000 * 11/2015
 KR 300934020.0000 * 12/2017
 KR 301117960.0000 * 7/2021

OTHER PUBLICATIONS

Go Green Glasslock Food Storage Container, Kinetic, amazon.com, published by Kinetic, first available on Mar. 5, 2015 © 1996-2021 Amazon.com, Inc., online, site visited Sep. 25, 2021. Available from Internet, URL: <https://www.amazon.com/Kinetic-Glassworks-Rectangular-Container-55082/dp/B00V3K8RF6> (Year: 2015).*

975ml Snack Attack Duo To Go Lunch Box, Sistema, sistemaplasic.com, published by Sistema on Mar. 26, 2014 © 2021 Sistema Plastics, Inc., online, site visited Sep. 29, 2021. Available from Internet, URL: <https://sistemaplastics.com/products/to-go/975ml-snack-attack-duo-to-go> (Year: 2014).*

* cited by examiner

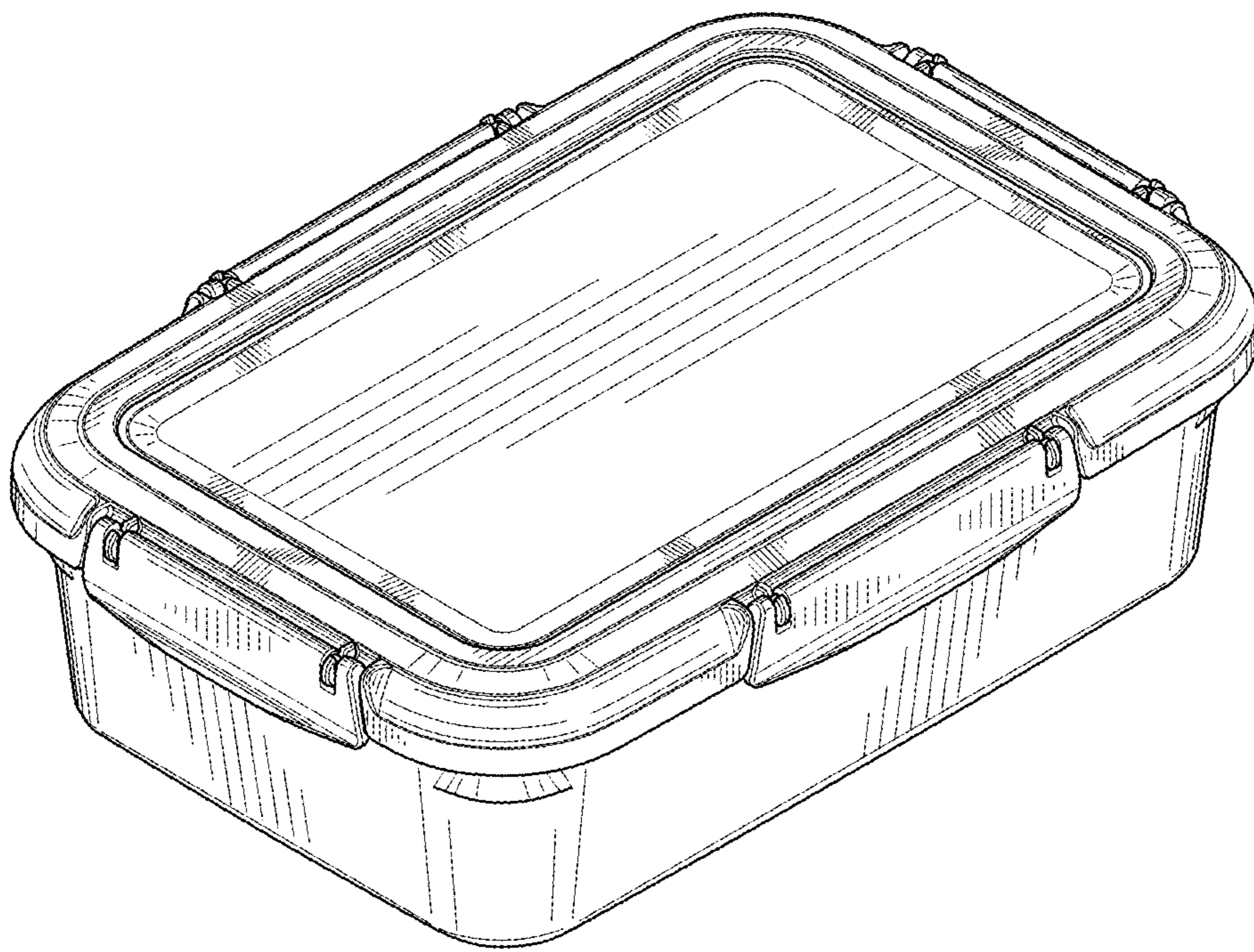


Fig 1

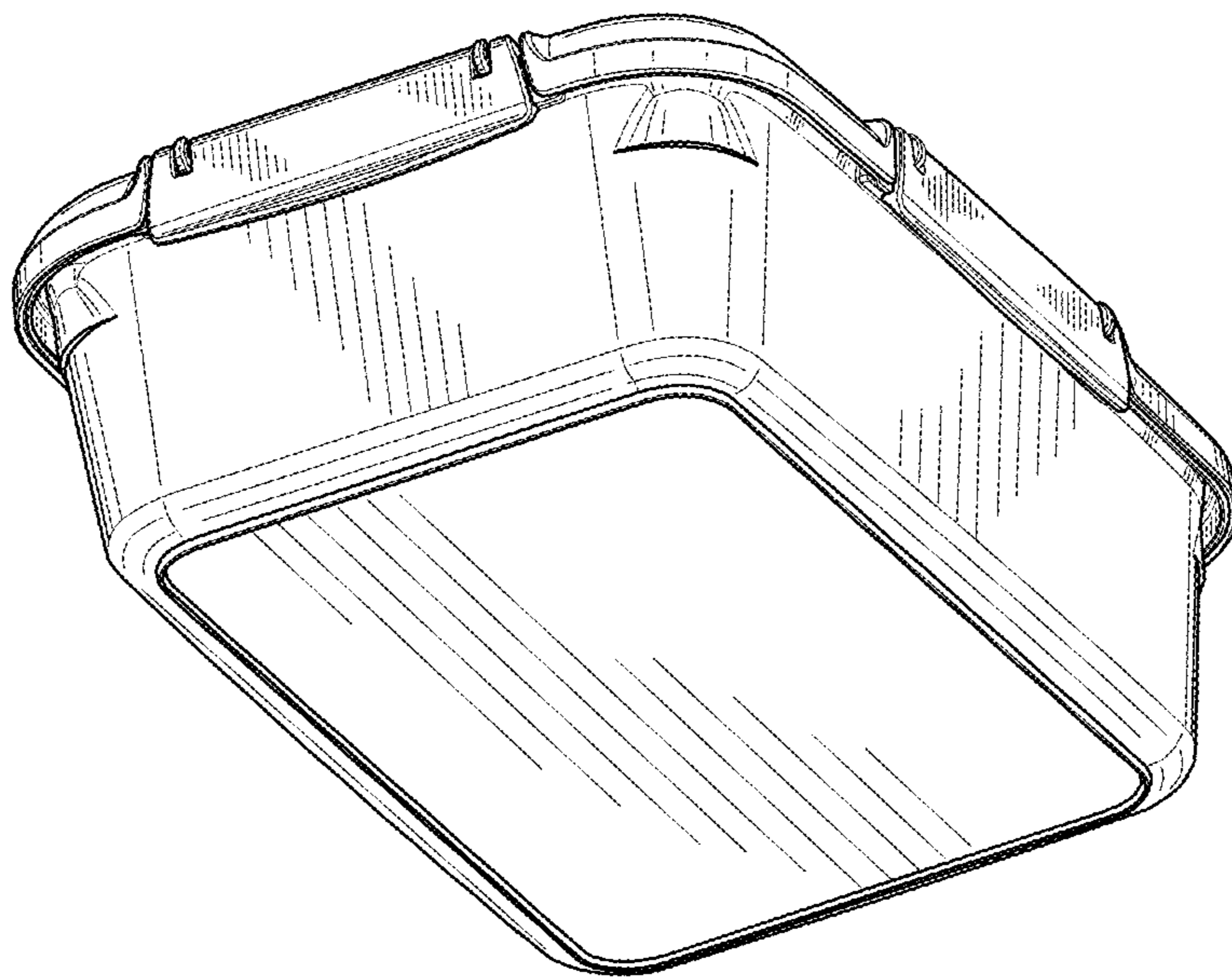


Fig 2

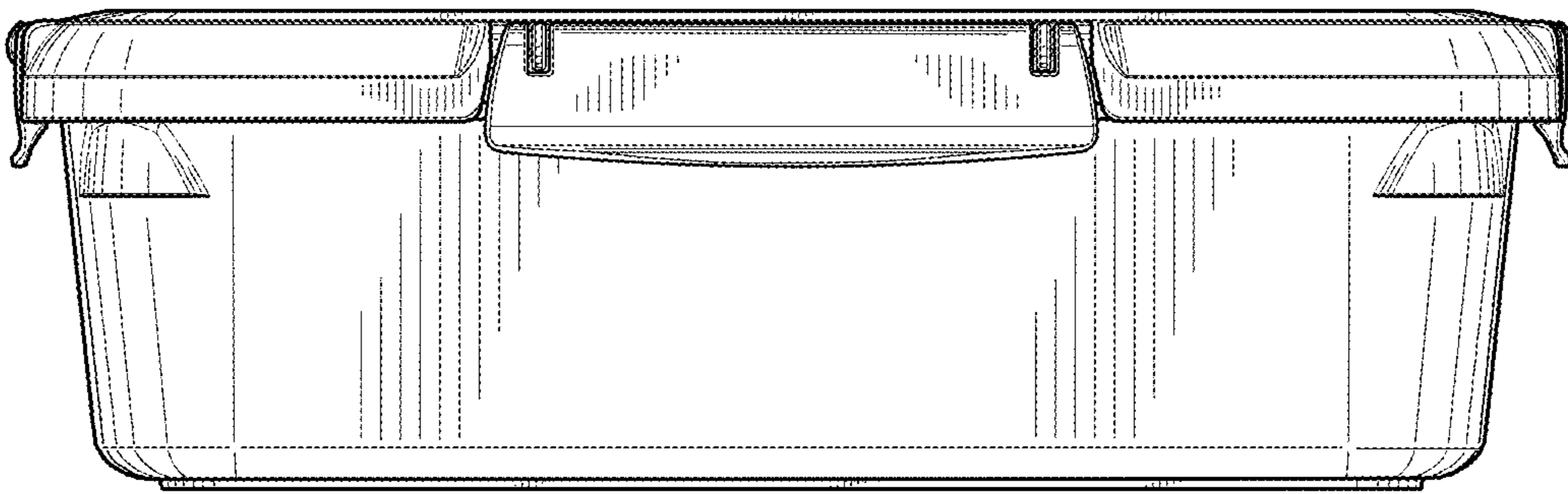


Fig 3

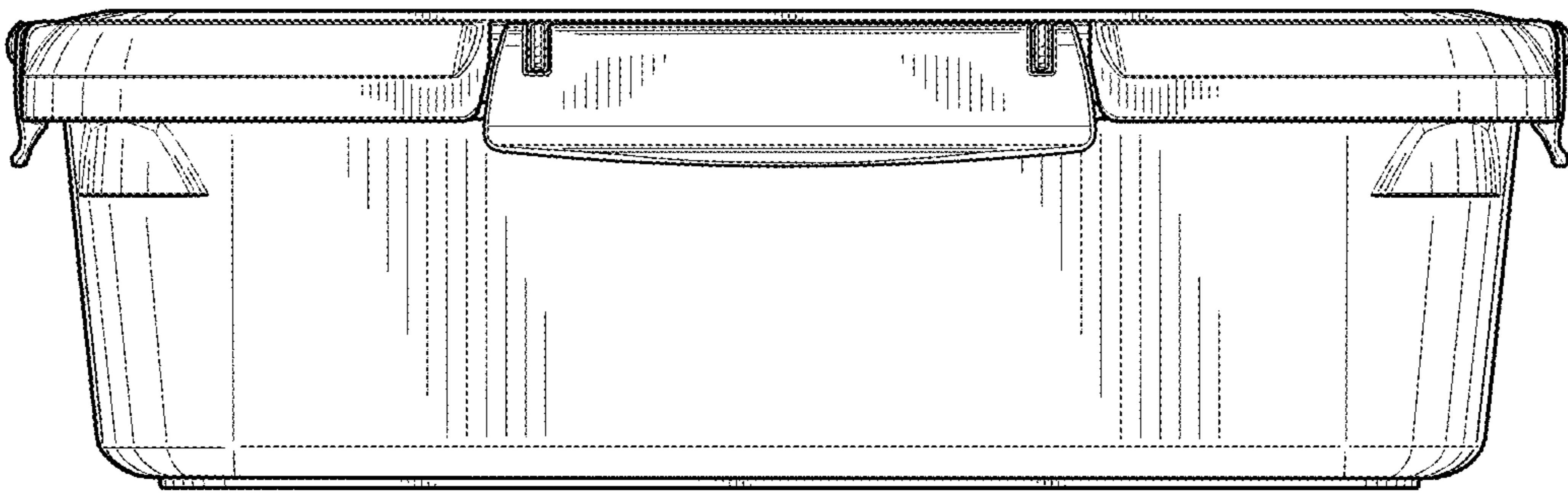


Fig 4

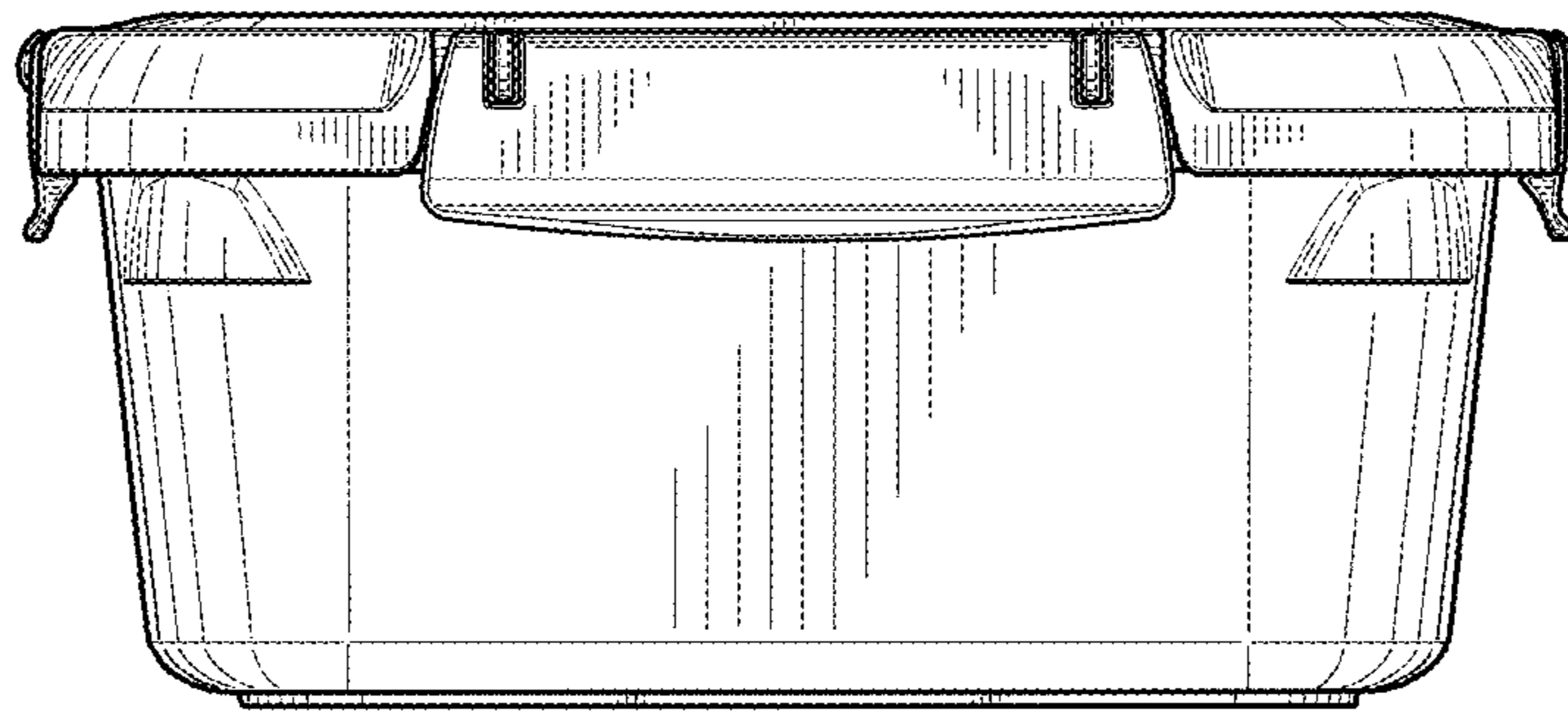


Fig 5

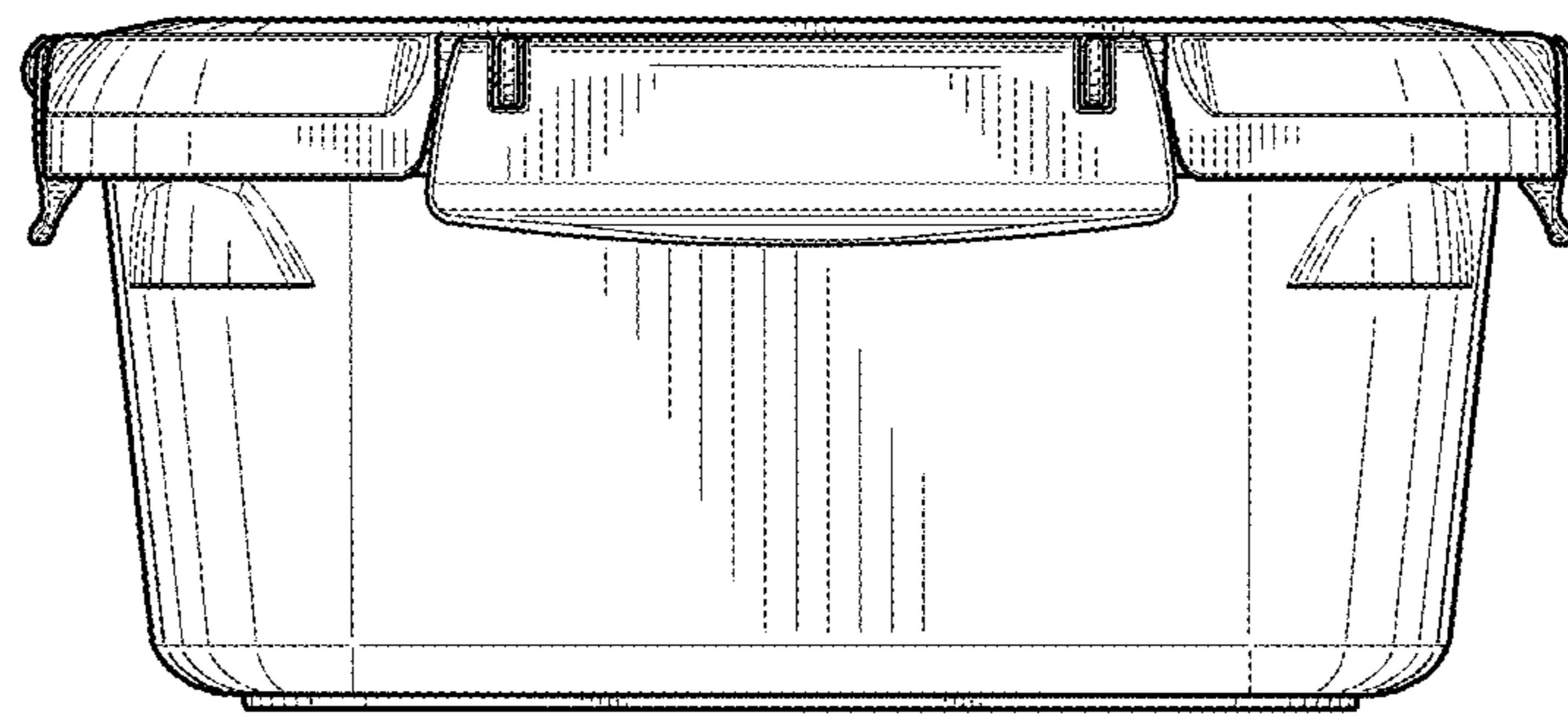


Fig 6

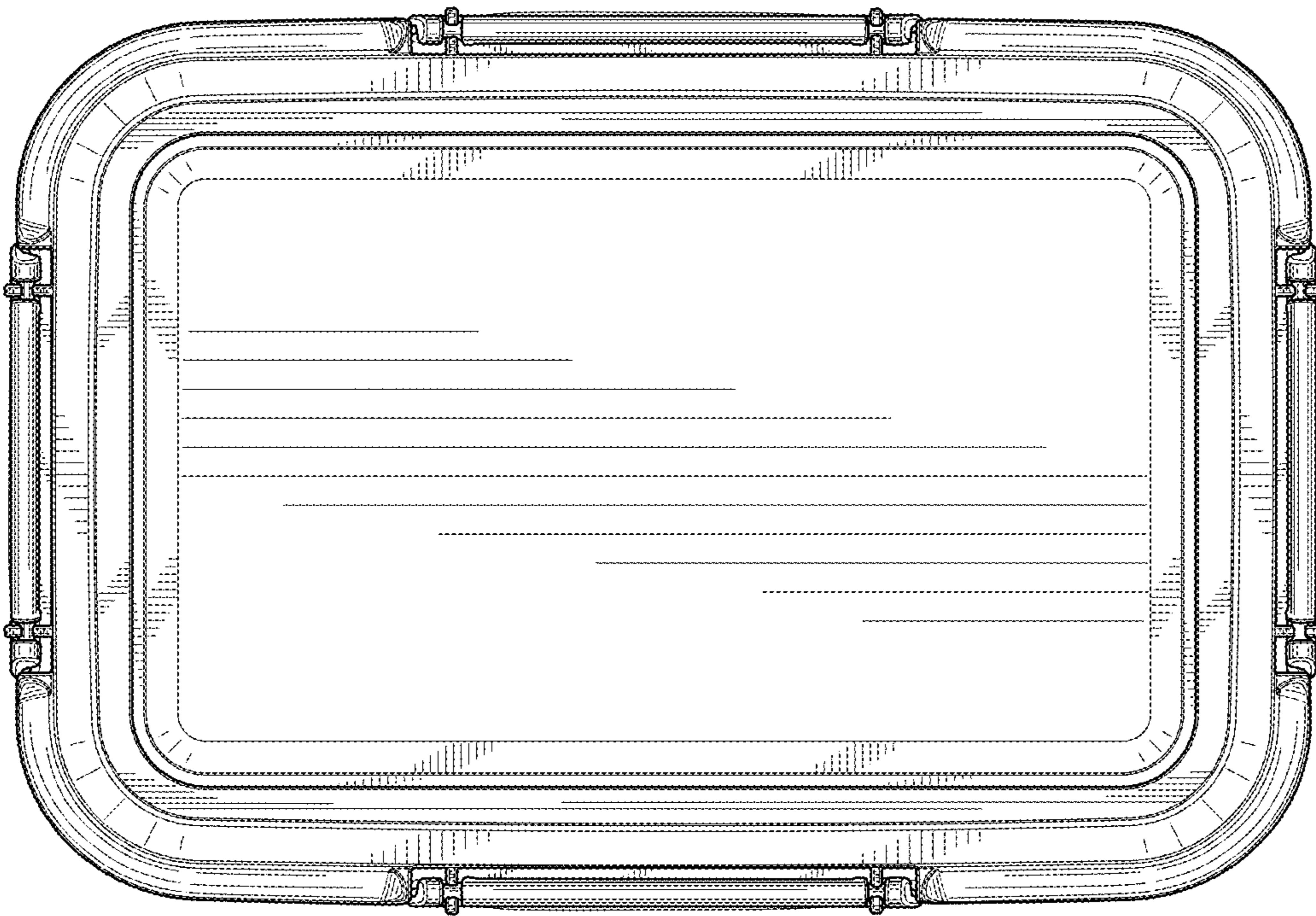


Fig 7

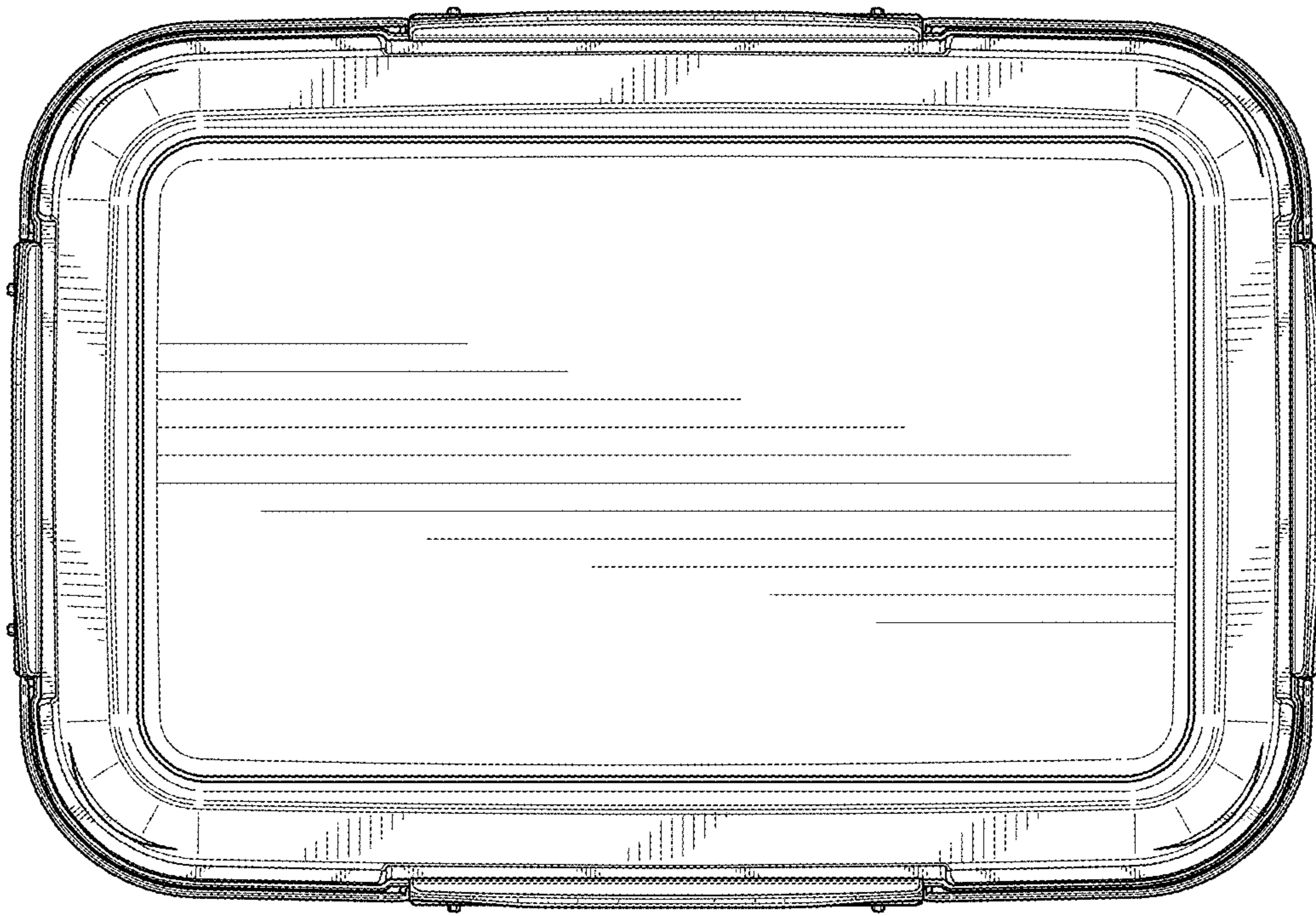


Fig 8