



US00D959924S

(12) **United States Design Patent**
Chen

(10) **Patent No.:** **US D959,924 S**

(45) **Date of Patent:** **** Aug. 9, 2022**

(54) **FLIPPING EGG HOLDER**

(71) Applicant: **Guangzhou Shengjisong International Trade Co., Ltd.**, Guangdong (CN)

(72) Inventor: **Fei Chen**, Guangdong (CN)

(73) Assignee: **Guangzhou Shengjisong International Trade Co., Ltd.**, Guangzhou (CN)

(**) Term: **15 Years**

(21) Appl. No.: **29/779,969**

(22) Filed: **Apr. 21, 2021**

(51) **LOC (13) Cl.** **09-03**

(52) **U.S. Cl.**
USPC **D7/611**

(58) **Field of Classification Search**

USPC D7/319, 368, 392.1, 408-409, 420, D7/548-549, 550.1, 552.2, 553.1-553.2, D7/555, 600.4, 601-603, 605, 629-630, D7/637, 708.1, 709, 503, 611, 614-615, D7/640, 701, 543, 600; D9/414-416, D9/424-425, 430-432, 759-761; D3/309; D6/317, 552, 654.11, 654.18, D6/672; D32/14, 21, 55; D24/230
CPC A47F 5/01; A47L 19/04; A47K 3/281
See application file for complete search history.

(56) **References Cited**

U.S. PATENT DOCUMENTS

D143,719 S *	2/1946	Ernster	D7/611
D150,414 S *	8/1948	Gulley	D7/611
D160,848 S *	11/1950	Ernster	D7/611
D219,058 S *	10/1970	Kaczur	D7/701
D250,157 S *	11/1978	Kelly	D6/661
D250,158 S *	11/1978	Kelly	D6/661
D255,520 S *	6/1980	Lyons	D6/682.2
4,284,603 A *	8/1981	Korom	B01L 9/06 210/323.1

(Continued)

FOREIGN PATENT DOCUMENTS

CN 302871484 * 7/2014
CN 305847149 * 6/2020

(Continued)

OTHER PUBLICATIONS

Egg Holder for Fridge, HapiLeap, amazon.com, published by HapiLeap, first available on Mar. 16, 2021 © 1996-2021 Amazon.com, Inc., online, site visited Jan. 4, 2022. Available at URL: <https://www.amazon.com/HapiLeap-Stackable-Storage-Container-Refrigerator/dp/B08Z37NNPY> (Year: 2021).*

(Continued)

Primary Examiner — Holly E Thurman
Assistant Examiner — Altaira J Swangin

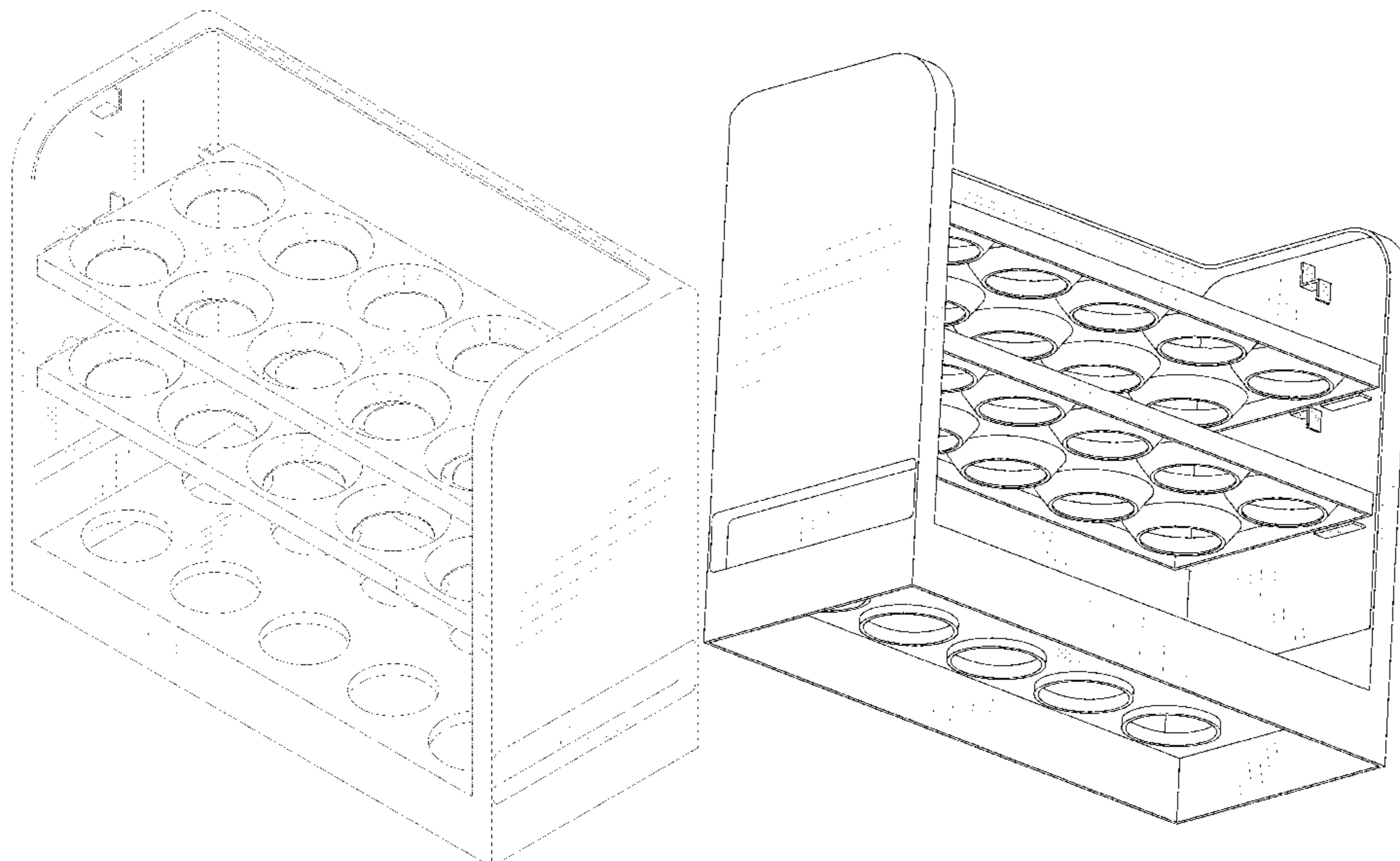
(57) **CLAIM**

The ornamental design for a flipping egg holder, as shown and described.

DESCRIPTION

FIG. 1 is a perspective view of a flipping egg holder showing my new design;
FIG. 2 is a bottom perspective view thereof;
FIG. 3 is another front perspective view of the flipping egg holder in an alternate configuration with the two shelves in a slanted position;
FIG. 4 is a front view thereof;
FIG. 5 is a back view thereof;
FIG. 6 is a left side view thereof;
FIG. 7 is a right side view thereof;
FIG. 8 is a top view thereof; and,
FIG. 9 is a bottom view thereof.
The broken lines in the drawings illustrate features of the flipping egg holder that form no part of the claimed design.

1 Claim, 9 Drawing Sheets



(56)

References Cited

U.S. PATENT DOCUMENTS

D265,126	S *	6/1982	Beall	D24/230
4,407,958	A *	10/1983	DeGraff, Jr.	B01L 9/06
					211/194
D325,849	S *	5/1992	Melcher	D6/682.2
D330,513	S *	10/1992	Gilchrist	D3/284
D360,321	S *	7/1995	Wang	D6/682.2
5,657,883	A *	8/1997	Badia	A01K 97/10
					211/60.1
D414,991	S *	10/1999	Brown	D7/701
D416,405	S *	11/1999	Thoesen	D6/682
6,196,160	B1 *	3/2001	Pas	A01K 41/065
					119/322
D504,550	S *	4/2005	Setcer, Jr.	D99/34
D509,691	S *	9/2005	Doran	D6/571
D530,128	S *	10/2006	Doran	D6/571
D590,183	S *	4/2009	Hensel	D6/672
D602,314	S *	10/2009	Stravitz	D7/701
D661,950	S *	6/2012	Greenwood	D7/600.1
D661,952	S *	6/2012	Tiemann	D7/600.1
D695,078	S *	12/2013	Hertaus	D7/600.1
D713,051	S *	9/2014	Smeja	D24/230
D714,958	S *	10/2014	Smeja	D24/230
D724,900	S	3/2015	Kraemer		
D750,443	S	3/2016	Kraemer		
D857,463	S *	8/2019	Cavalier	D7/611
D863,964	S *	10/2019	Greenwood	D9/455
D913,753	S *	3/2021	Zheng	D7/600.1
D930,852	S *	9/2021	Rapier	D24/227
2002/0108917	A1 *	8/2002	Maruyama	B01L 9/06
					211/74

2005/0165287	A1 *	7/2005	Wescott	B01L 9/06
					600/322
2011/0274595	A1 *	11/2011	Ziegler	B01L 9/06
					422/562
2012/0175328	A1 *	7/2012	Bosch	A47B 87/0223
					211/85.18
2015/0336102	A1 *	11/2015	Tyagi	B66F 11/00
					422/562
2019/0060909	A1 *	2/2019	Wardenburg	B01L 9/06
2019/0070573	A1 *	3/2019	Akiyama	G01N 1/38

FOREIGN PATENT DOCUMENTS

CN	306456447	*	4/2021
CN	306476546	*	4/2021
CN	306926252	*	11/2021

OTHER PUBLICATIONS

Egg Holder for Refrigerator, Ease.Life, amazon.com, published by Ease.Life, first available on Aug. 31, 2020 © 1996-2021 Amazon. com, Inc., online, site visited Jan. 4, 2022. Available at URL: <https://www.amazon.ca/Ease-Life-Holder-Refrigerator-Reusable-Cartons/dp/B08C5NVLSH> (Year: 2020).*

Egg Holder for Fridge, HapiLeap, findthisbest.com, published by Guangzhou ShengJiSong International Trading Co, date not listed © 2022 Findthisbest, online, site visited Apr. 27, 2022. Available at URL: <https://www.findthisbest.com/sellers/amazon/sjs-mall> (Year: 2022).*

* cited by examiner

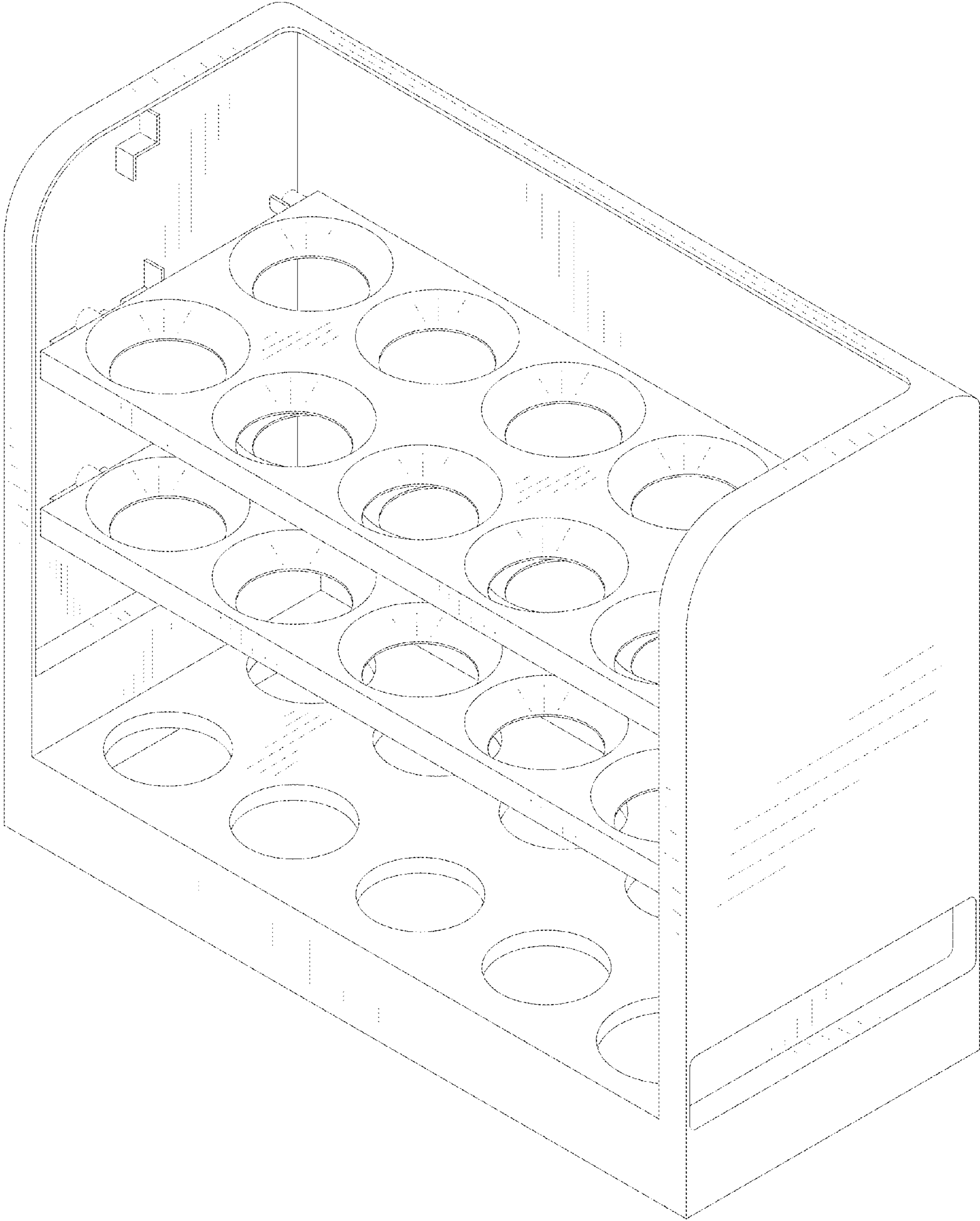


FIG. 1

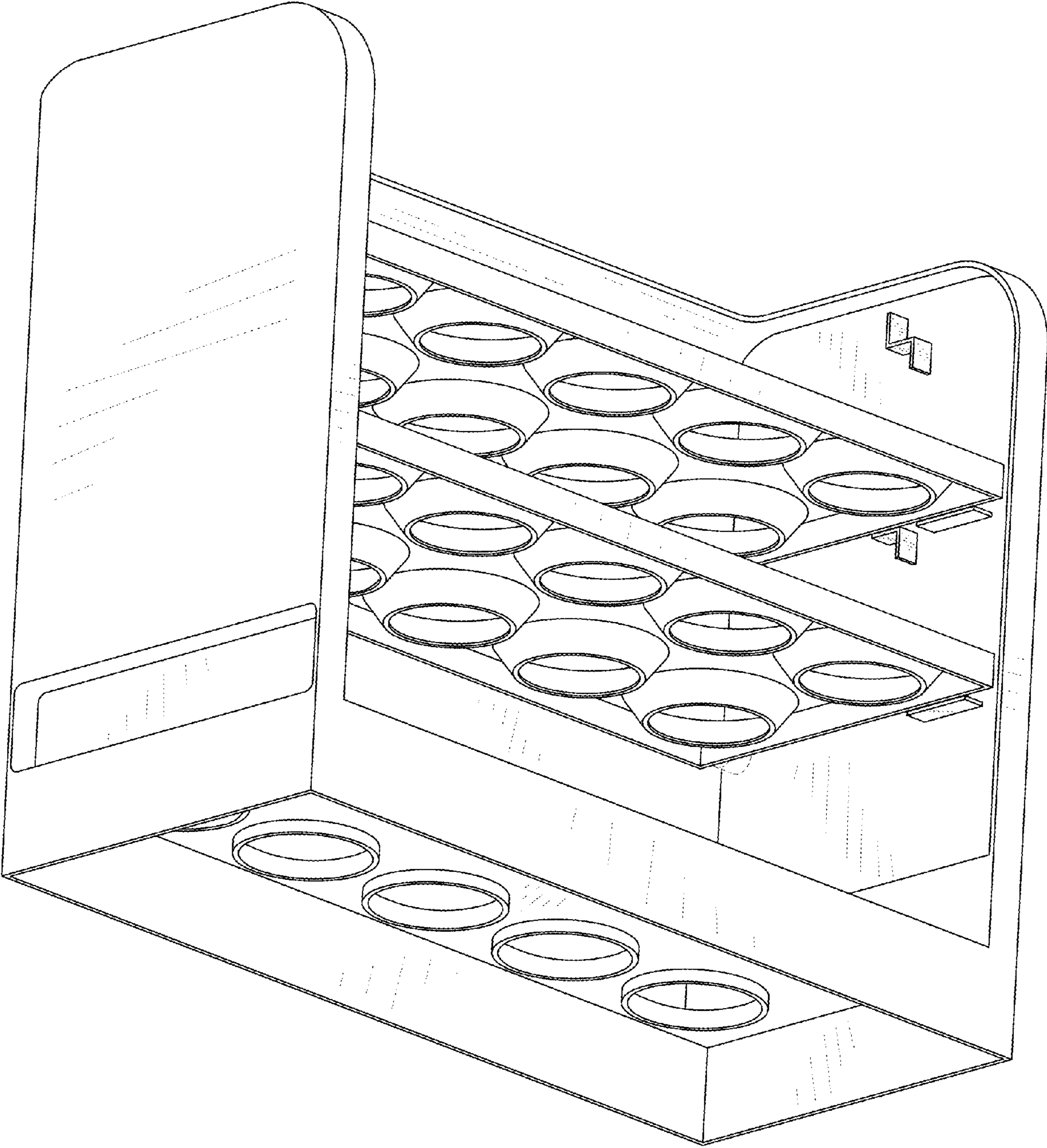


FIG. 2

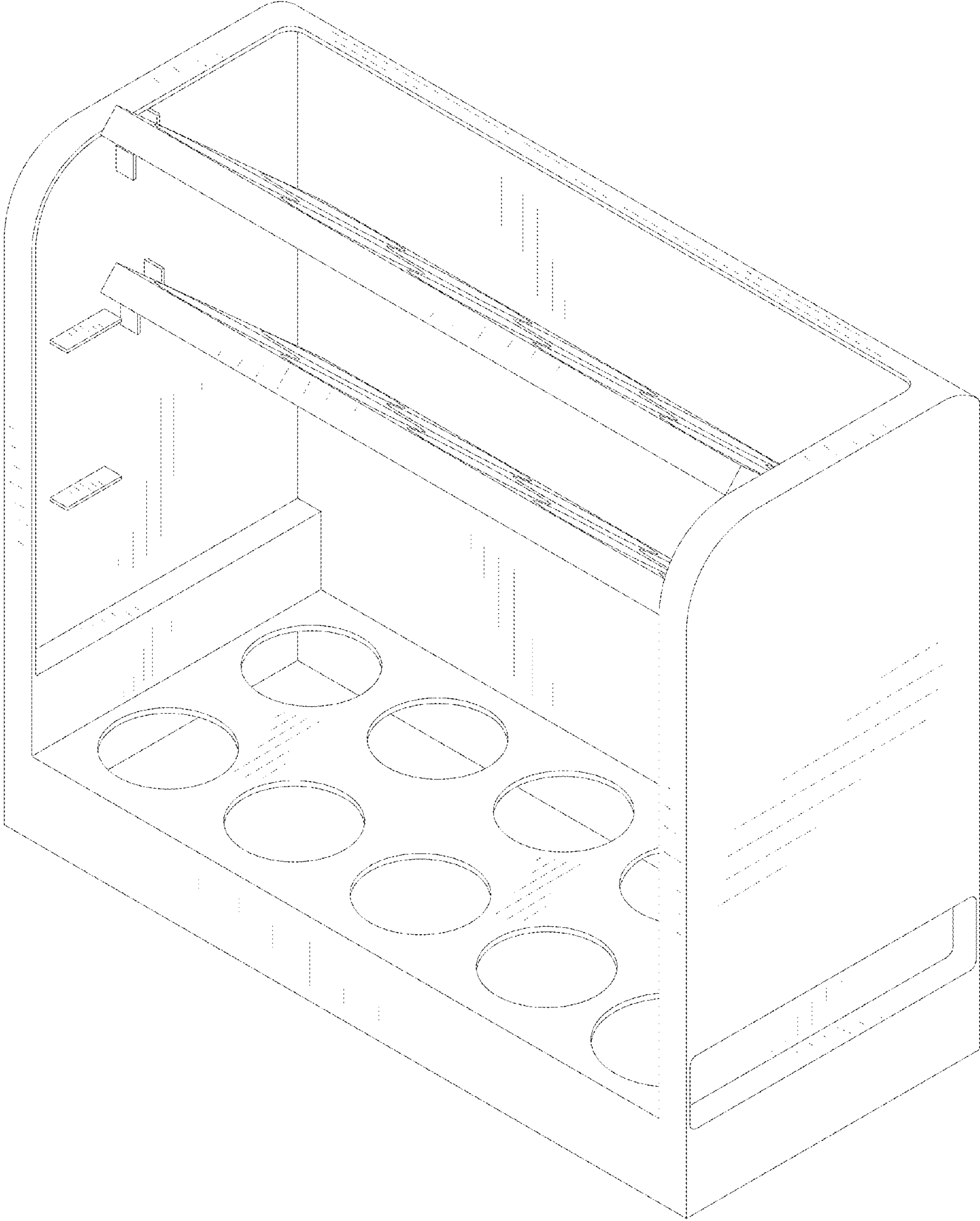


FIG. 3

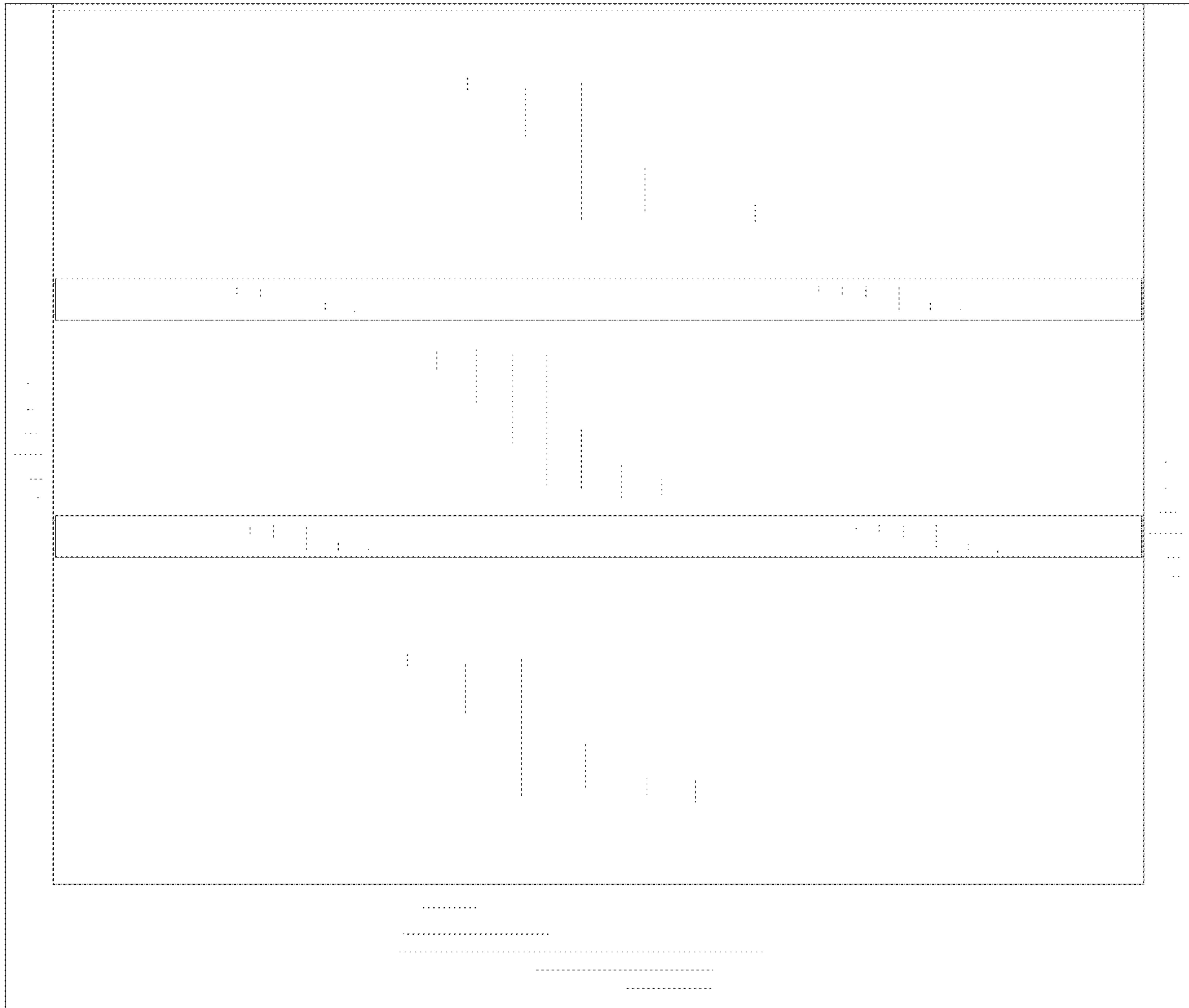


FIG. 4



FIG. 5

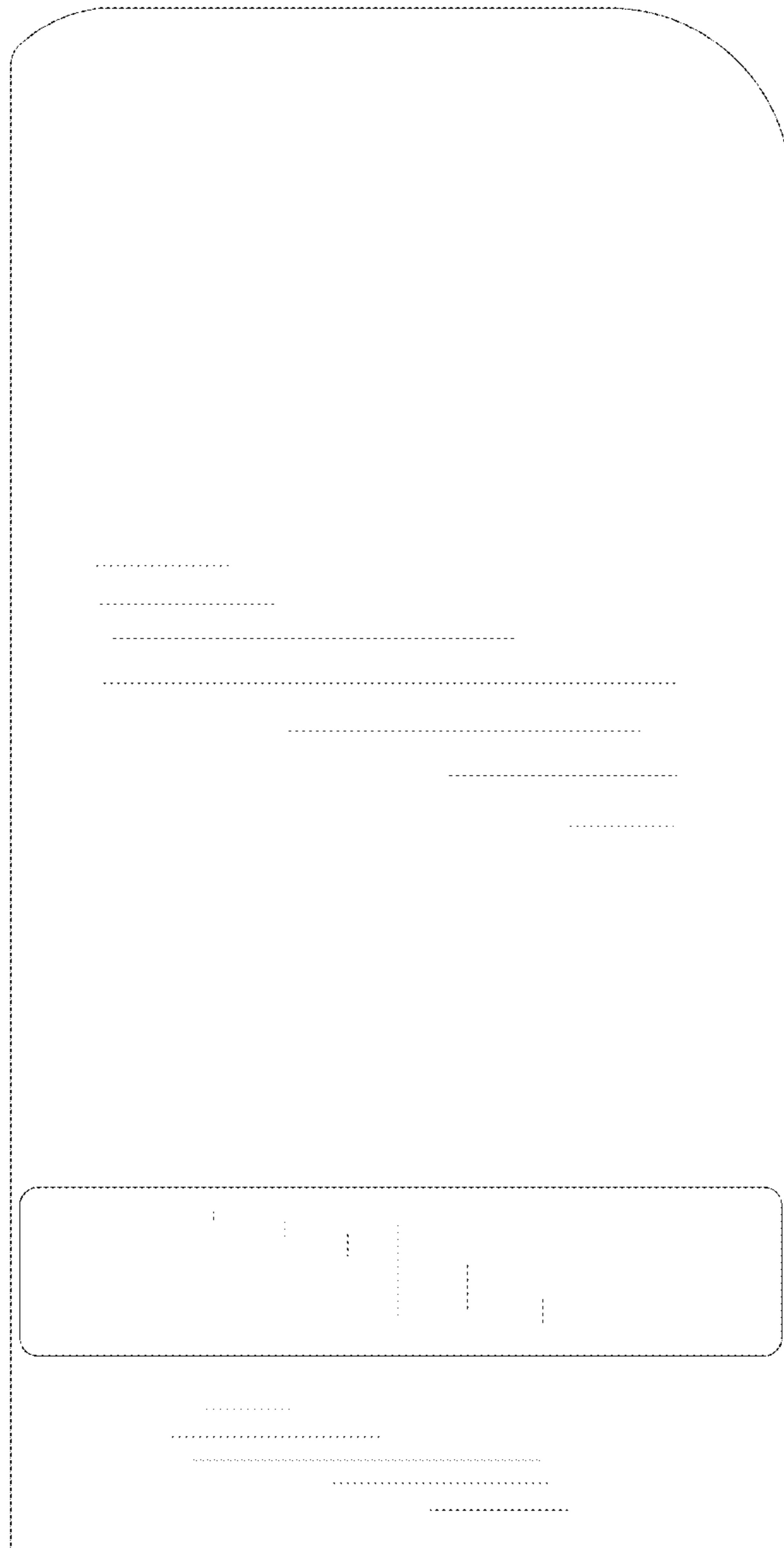


FIG. 6

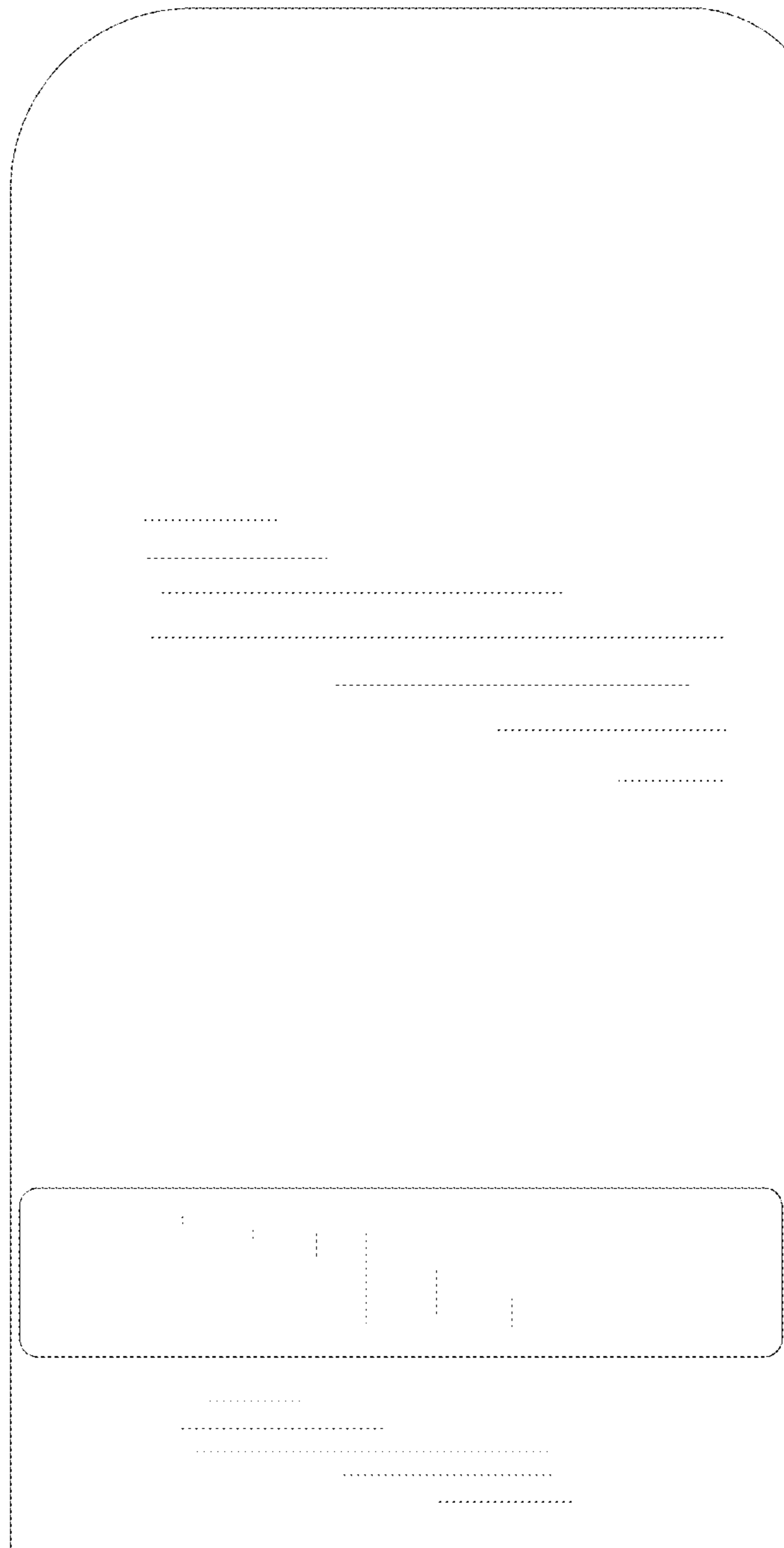


FIG. 7

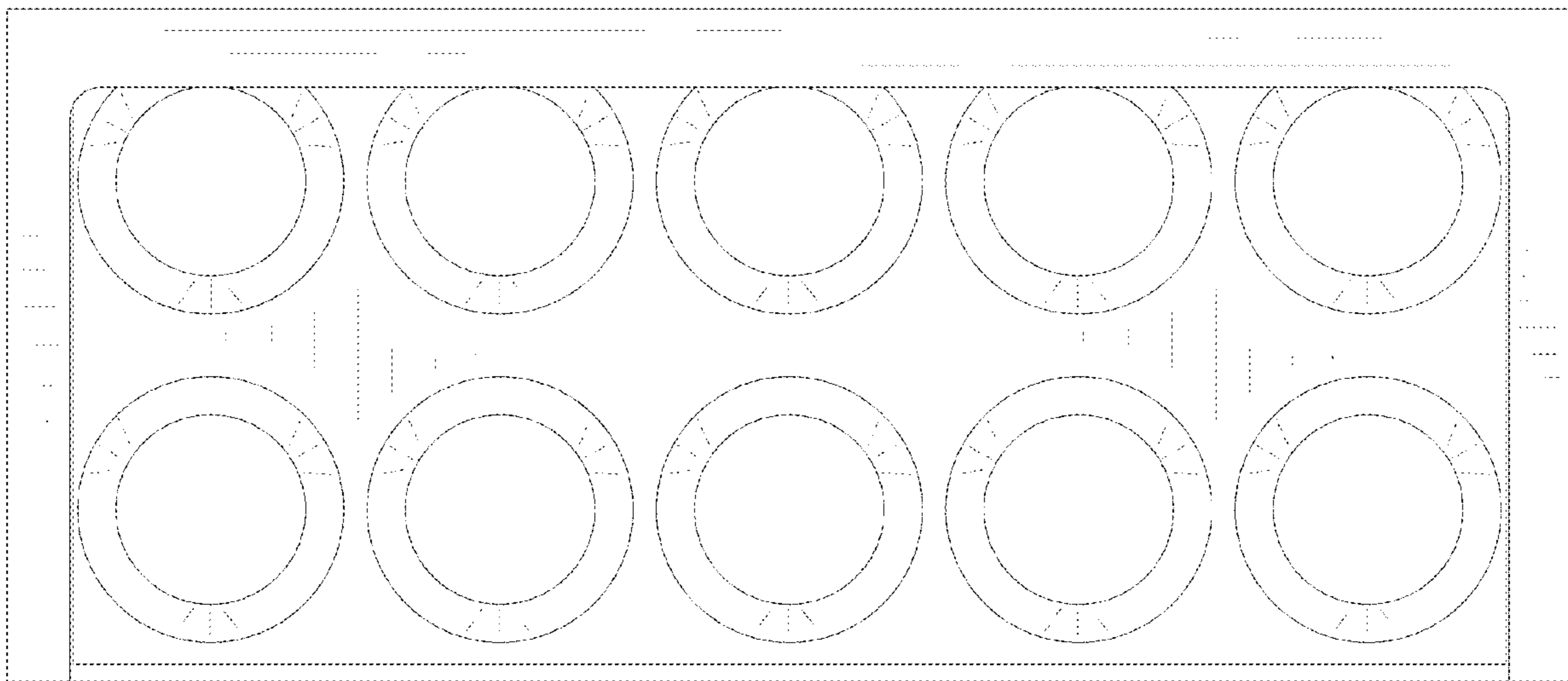


FIG. 8

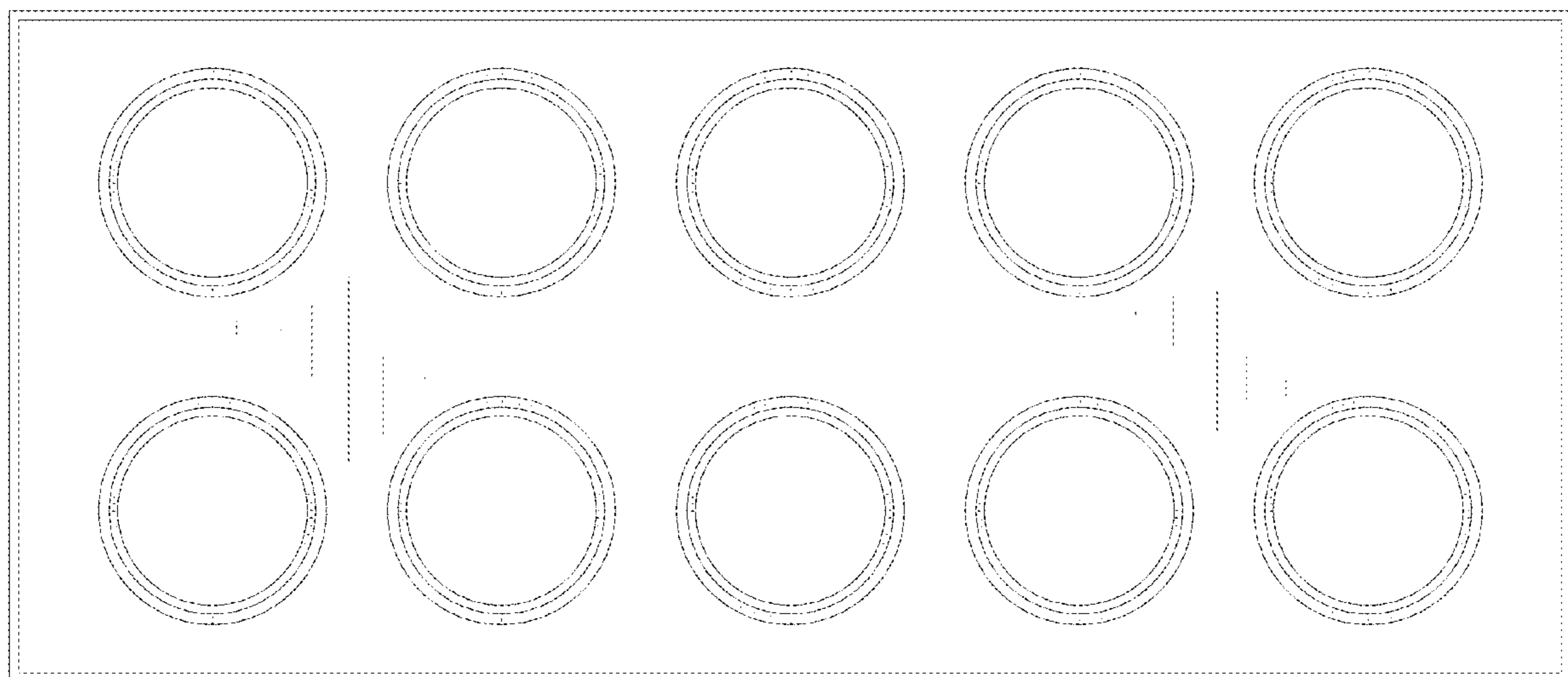


FIG. 9