



US00D959915S

(12) **United States Design Patent** (10) **Patent No.:** **US D959,915 S**  
**Bruner et al.** (45) **Date of Patent:** **\*\* Aug. 9, 2022**

- (54) **CONTAINER**
- (71) Applicant: **CORKCICLE, LLC**, Orlando, FL (US)
- (72) Inventors: **Stephen Bruner**, Orlando, FL (US);  
**Benjamin R. Hewitt**, Orlando, FL (US)
- (73) Assignee: **CORKCICLE, LLC**, Orlando, FL (US)
- (\*\*) Term: **15 Years**
- (21) Appl. No.: **29/744,462**
- (22) Filed: **Jul. 29, 2020**
- (51) **LOC (13) Cl.** ..... **07-01**
- (52) **U.S. Cl.**  
USPC ..... **D7/511**
- (58) **Field of Classification Search**  
USPC ..... D7/300, 313, 316, 507, 509, 510, 511,  
D7/523, 531, 532, 533, 602, 605, 608,  
D7/614, 619.1, 622; D9/443, 449, 450,  
D9/500, 502, 505, 520, 528, 531, 537,  
D9/538, 540, 549, 560, 570; D10/46.2  
CPC ..... A45F 2200/0583; A47G 19/2205; A47G  
19/2272; A47G 19/2288; A47G 19/23;  
A47G 23/16; A47J 41/00; A47J 43/00;  
A47J 47/00; A47J 47/02; A47J 47/08;  
B65D 1/265; B65D 81/3865; B65D  
81/3453; B65D 3/22  
See application file for complete search history.

- D411,414 S 6/1999 Berger
- D442,736 S 5/2001 McGilvray
- D480,590 S 10/2003 Linz et al.
- (Continued)

**OTHER PUBLICATIONS**

Coricicle Sport Canteen, Amazon.com, First available date: Feb. 24, 2021. Retrieved from the internet: Mar. 23, 2022<URL:https://www.amazon.com/Corkcicle-Sport-Canteen-Electric-Green/dp/B08XC49GGZ/ (Year: 2021).\*

*Primary Examiner* — Joseph Kukella  
*Assistant Examiner* — Darryl J Dardenne  
(74) *Attorney, Agent, or Firm* — Dickinson Wright, PLLC; Michael E. Noe, Jr.

(57) **CLAIM**

The ornamental design for a container, substantially as shown and described.

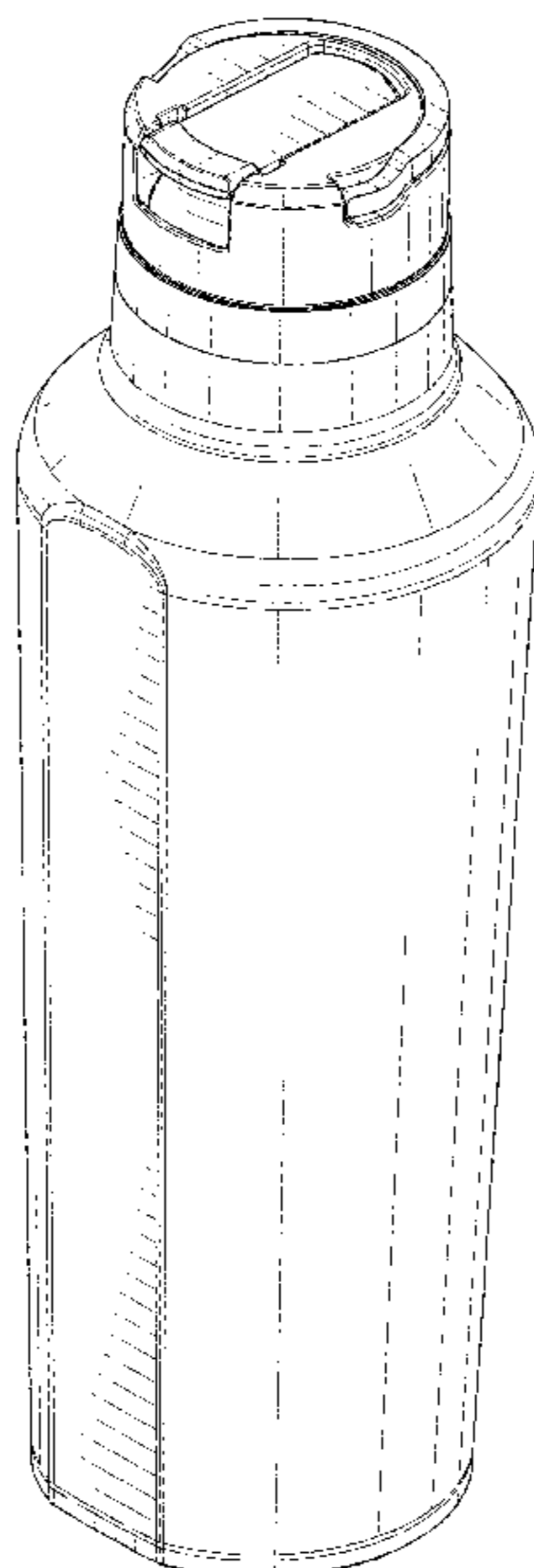
**DESCRIPTION**

FIG. 1 is a top, front isometric view of an embodiment of a container.  
FIG. 2 is a front view of the container of FIG. 1.  
FIG. 3 is a rear view of the container of FIG. 1.  
FIG. 4 is a right side view of the container of FIG. 1.  
FIG. 5 is a left side view of the container of FIG. 1.  
FIG. 6 is a top view of the container of FIG. 1.  
FIG. 7 is a bottom view of the container of FIG. 1.  
FIG. 8 is a top, front isometric view of another embodiment of a container.  
FIG. 9 is a front view of the container of FIG. 8.  
FIG. 10 is a rear view of the container of FIG. 8.  
FIG. 11 is a right side view of the container of FIG. 8.  
FIG. 12 is a left side view of the container of FIG. 8.  
FIG. 13 is a top view of the container of FIG. 8; and,  
FIG. 14 is a bottom view of the container of FIG. 8.  
In the drawings, the broken lines depict environmental subject matter only and form no part of the claimed design.

(56) **References Cited**  
**U.S. PATENT DOCUMENTS**

- D224,701 S 9/1972 Wright
- D279,763 S 7/1985 Hestehave et al.
- D282,232 S 1/1986 Bussell
- D340,385 S 10/1993 Durand
- D356,542 S 3/1995 Finkiewicz et al.
- D376,729 S 12/1996 Maki
- D384,236 S \* 9/1997 Douer ..... D7/300.1

**1 Claim, 12 Drawing Sheets**



(56)

References Cited

U.S. PATENT DOCUMENTS

D483,981 S	12/2003	Linz et al.	D769,043 S	10/2016	Gamelli et al.
D483,982 S	12/2003	Irvine	D772,311 S	11/2016	Bricker et al.
D510,497 S	10/2005	Hou	D778,095 S	2/2017	Gamelli et al.
D520,654 S	5/2006	Freeman et al.	D791,550 S *	7/2017	Marret ..... D7/511
D605,468 S	12/2009	Borrello et al.	D795,646 S *	8/2017	Sorensen ..... D7/511
D617,942 S	6/2010	LoRe	D796,901 S	9/2017	Pisarevsky
D623,016 S	9/2010	Borrello et al.	D799,274 S *	10/2017	Hewitt ..... D7/532
D631,700 S	2/2011	Flick	D800,500 S	10/2017	Bricker
D646,926 S	10/2011	Willat et al.	D817,683 S	5/2018	Melanson et al.
D654,318 S	2/2012	O'Neill	D830,126 S *	10/2018	Rohe ..... D7/509
D663,163 S	7/2012	Dick et al.	D839,678 S	2/2019	Bruner et al.
D664,397 S	7/2012	Franco	D850,857 S	6/2019	Bruner et al.
D688,949 S *	9/2013	Johnson ..... D9/503	D858,202 S	9/2019	Hewitt et al.
D714,646 S	10/2014	Libman et al.	D858,212 S	9/2019	Hewitt et al.
D721,541 S	1/2015	Evans	D866,258 S *	11/2019	Jacobsen ..... D7/511
D725,953 S *	4/2015	Gamelli ..... D7/300.1	D871,852 S	1/2020	Haas
D727,671 S *	4/2015	Gamelli ..... D7/300.1	D873,618 S	1/2020	Hewitt et al.
D727,688 S	4/2015	Hewitt et al.	D874,285 S *	2/2020	Yourist ..... D7/509
D748,485 S	2/2016	Marret	D877,571 S *	3/2020	Eyal ..... D7/532
D754,999 S	5/2016	Gamelli	D900,611 S *	11/2020	Hewitt ..... D7/300.1
D755,568 S	5/2016	Lee	D901,250 S *	11/2020	McCabe ..... D7/532
D756,716 S *	5/2016	Hewitt ..... D9/558	10,919,661 B2 *	2/2021	Hewitt ..... A47J 41/00
D761,607 S	7/2016	Gamelli et al.	D917,969 S *	5/2021	Eyal ..... D7/511
D761,608 S	7/2016	Gamelli et al.	D923,428 S *	6/2021	Haas ..... D7/624.2
D761,609 S	7/2016	Gamelli et al.	D925,985 S *	7/2021	Gilmore, III ..... D7/532
D767,090 S	9/2016	Zimak	D931,681 S *	9/2021	McCabe ..... A47J 41/00
D767,930 S *	10/2016	Gamelli ..... D7/300.1			D7/510
			D931,687 S *	9/2021	Volkoff ..... D7/510
			D944,056 S *	2/2022	Paparao ..... D7/509
			2019/0185196 A1 *	6/2019	Hewitt ..... A47J 41/00

\* cited by examiner

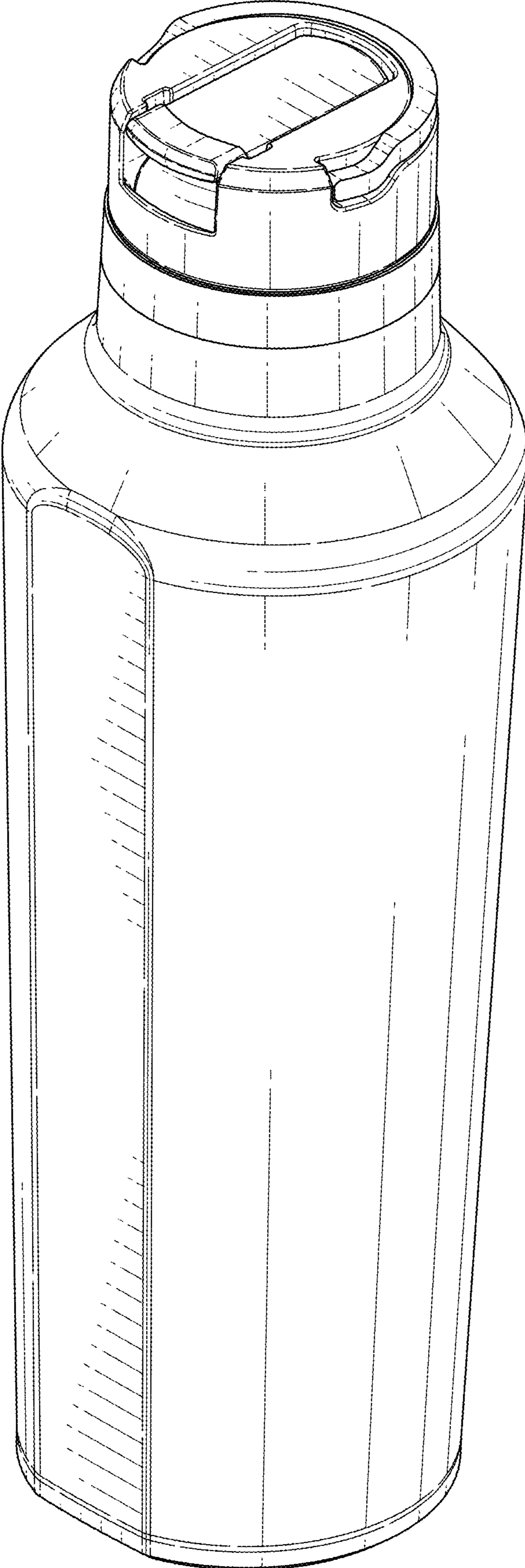


FIG. 1

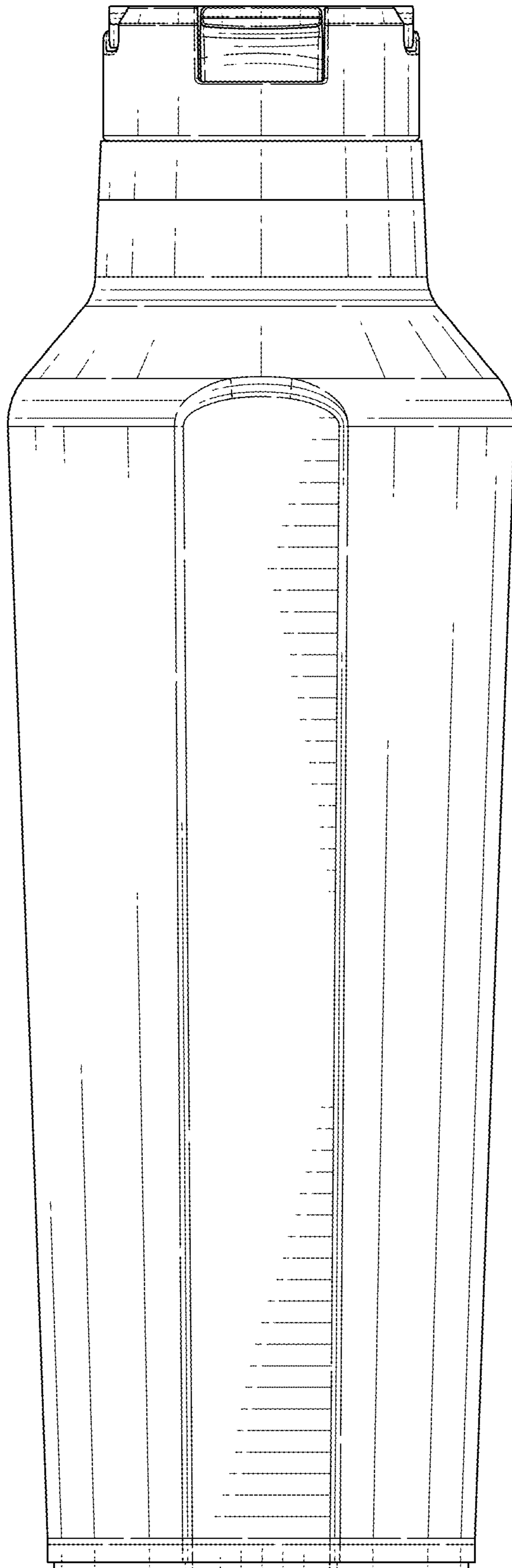


FIG. 2

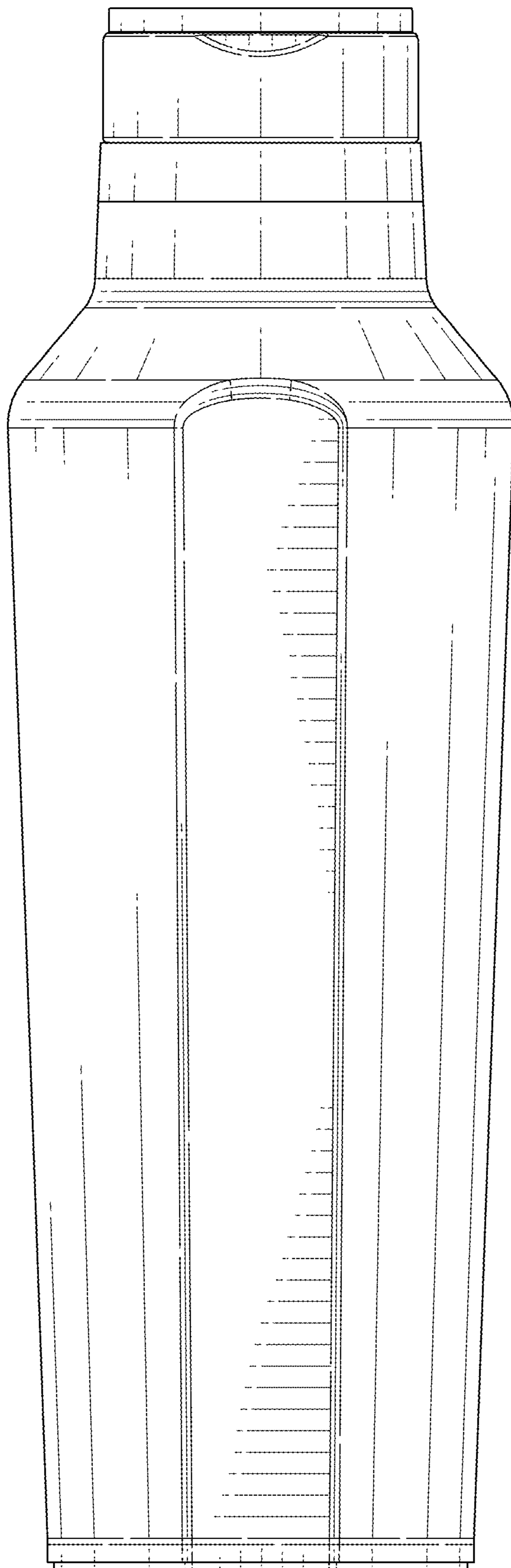


FIG. 3

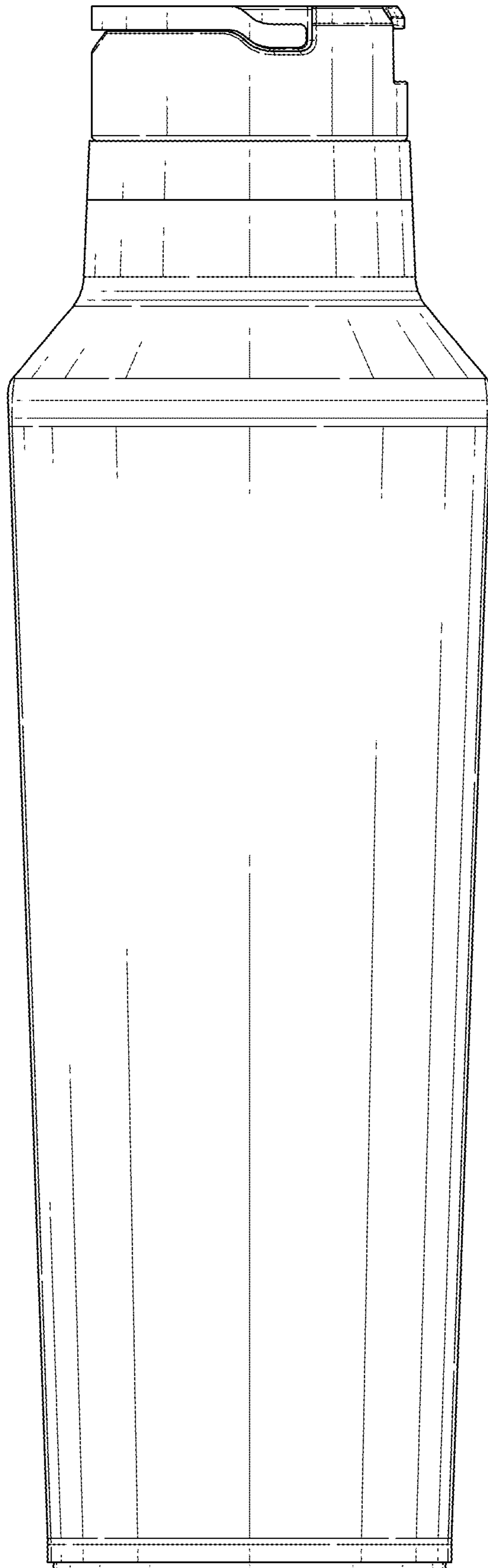


FIG. 4

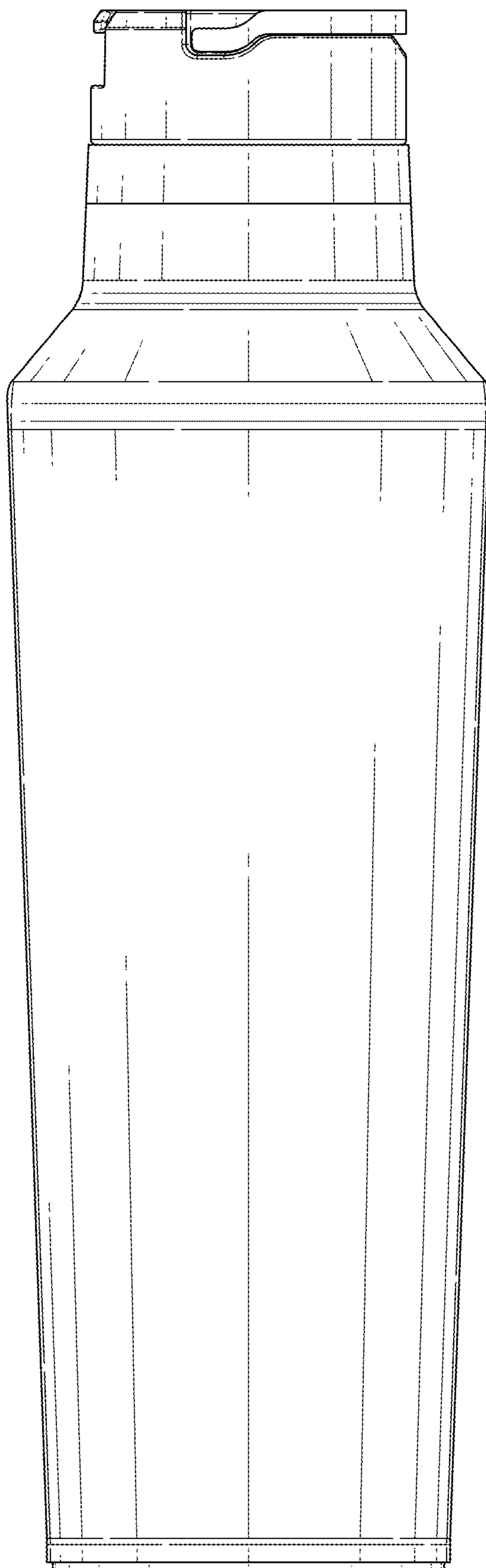


FIG. 5

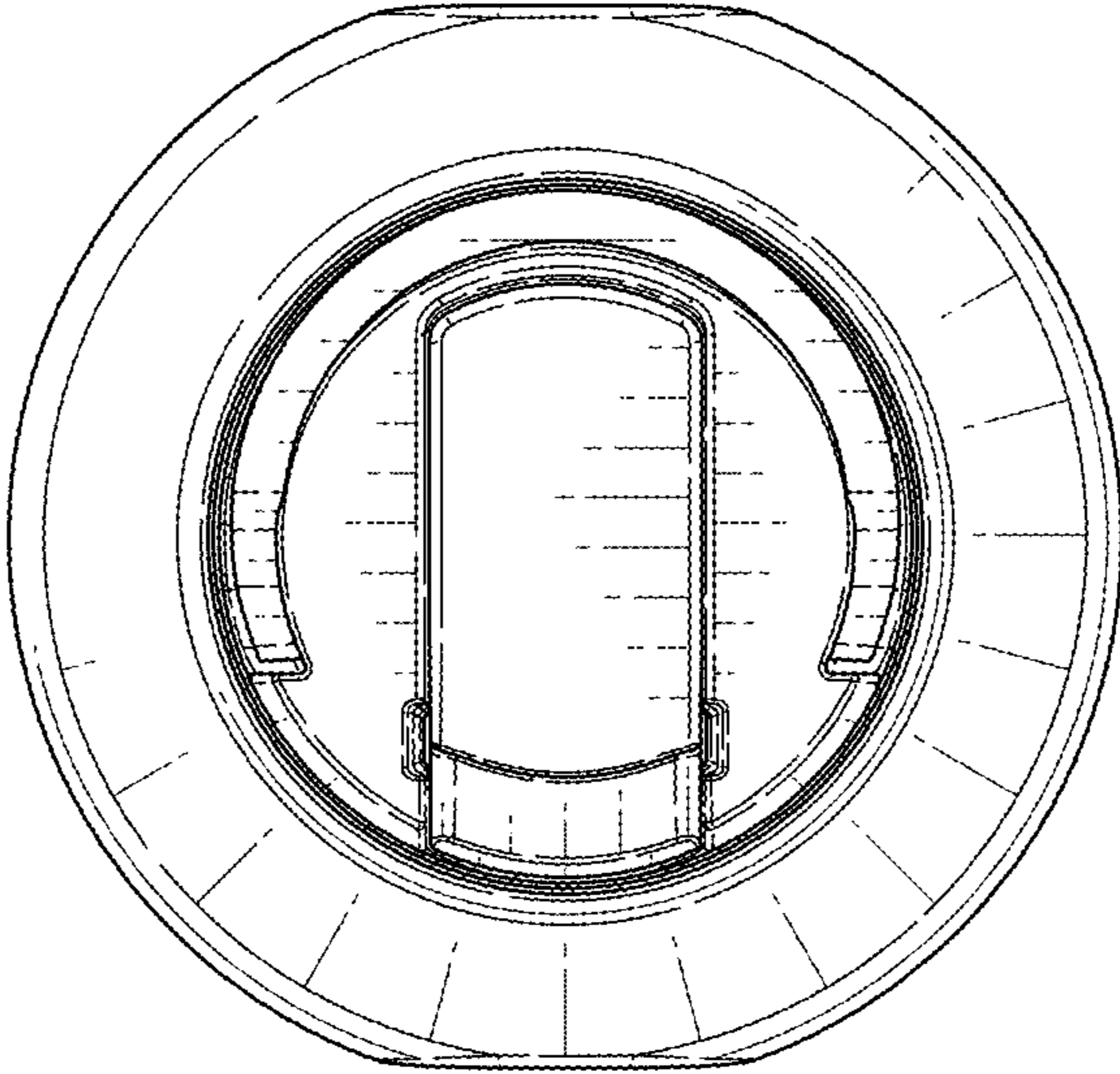


FIG. 6

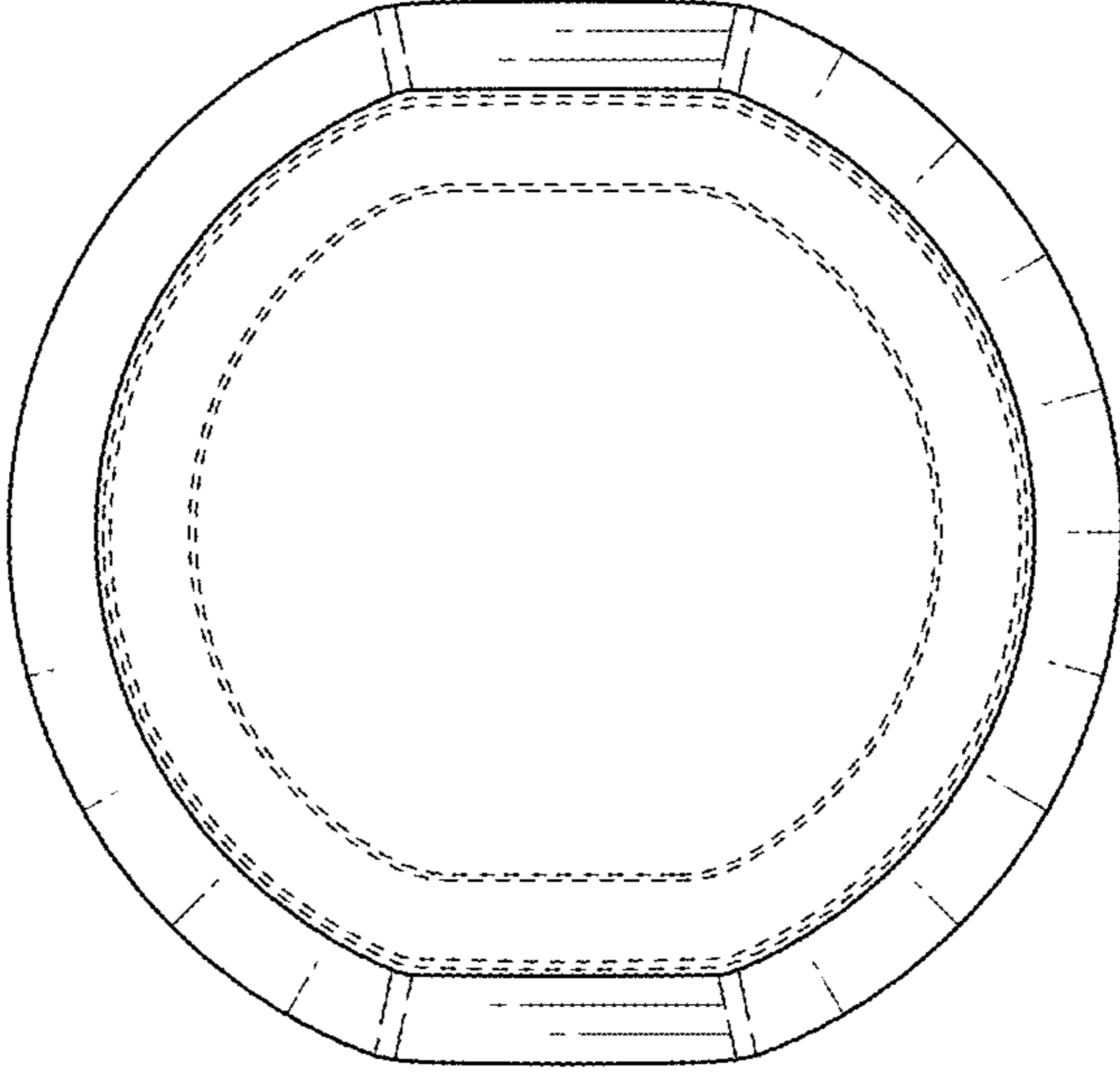


FIG. 7



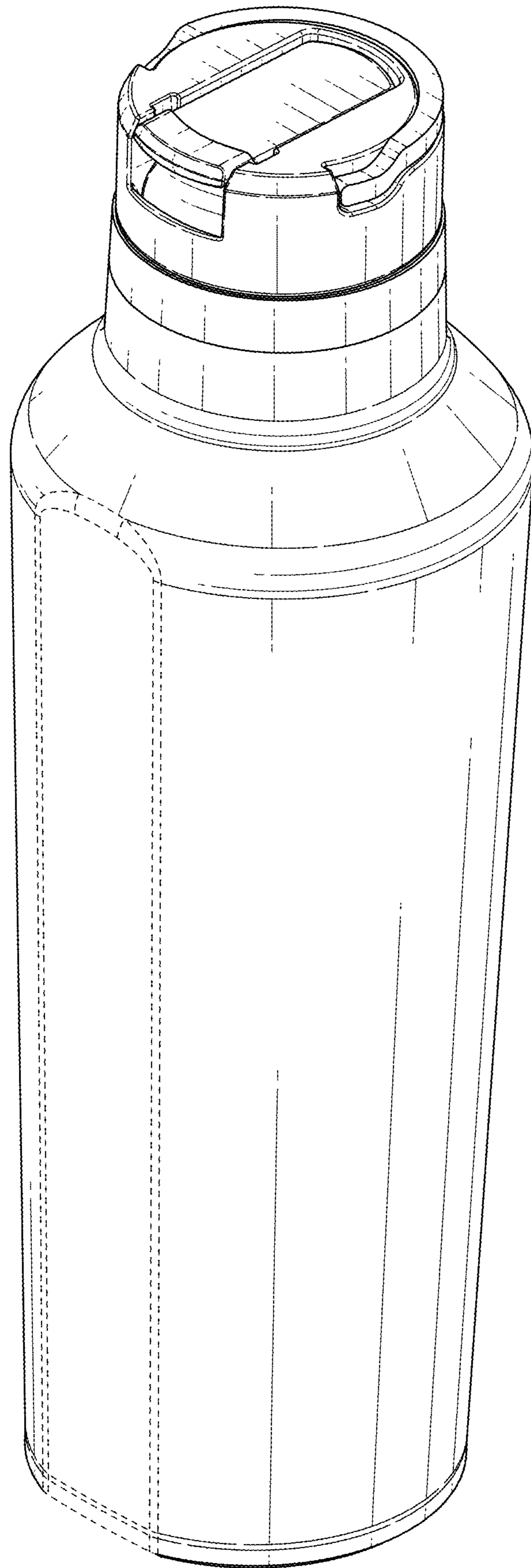


FIG. 8

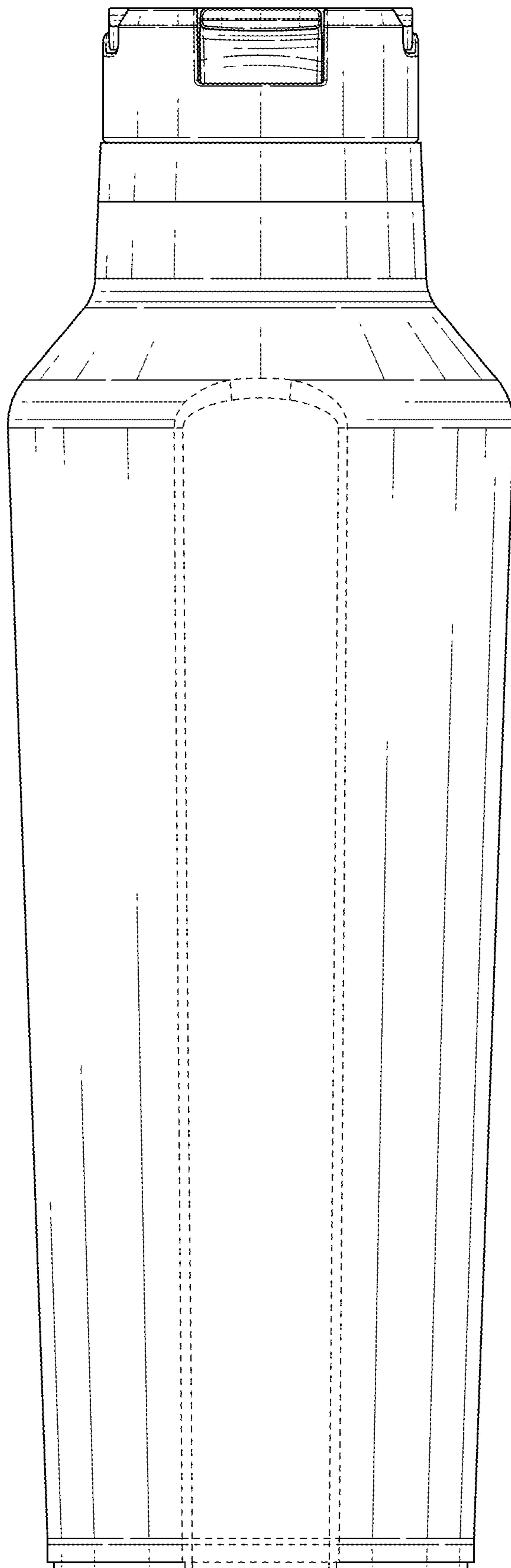


FIG. 9

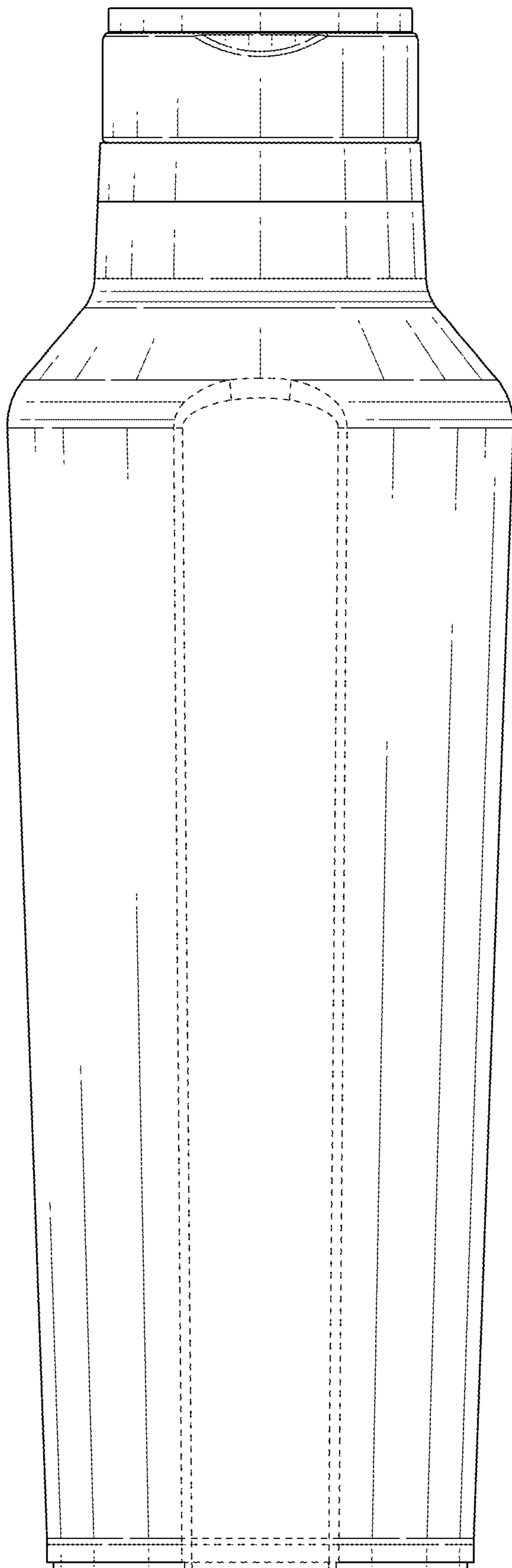


FIG. 10

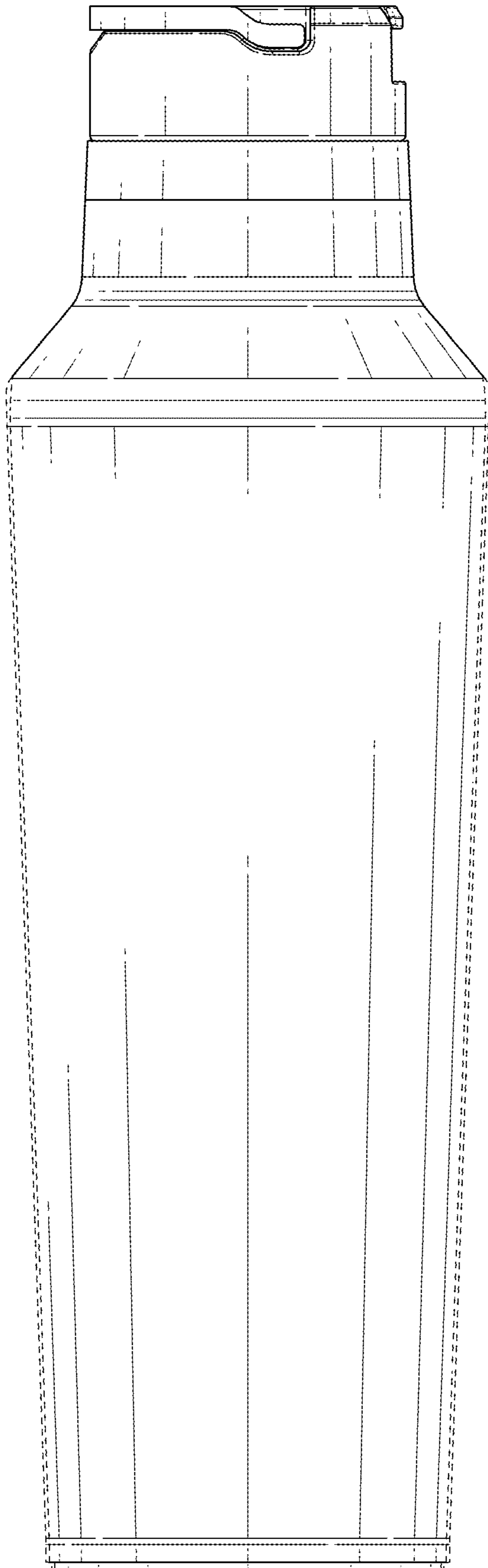


FIG. 11

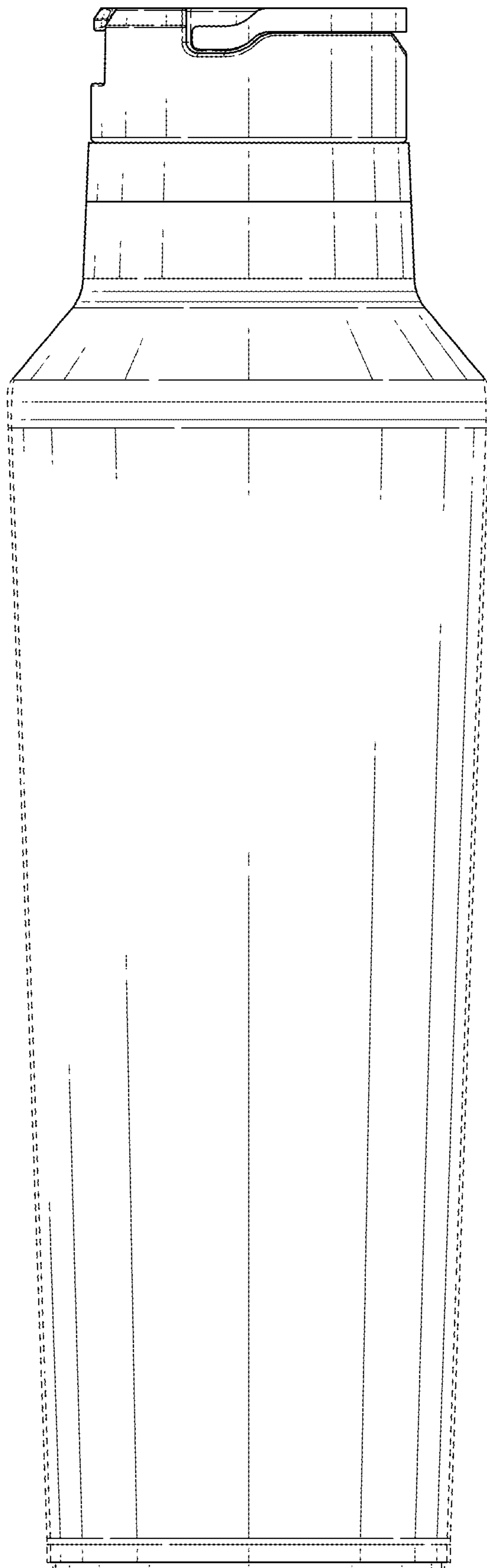


FIG. 12

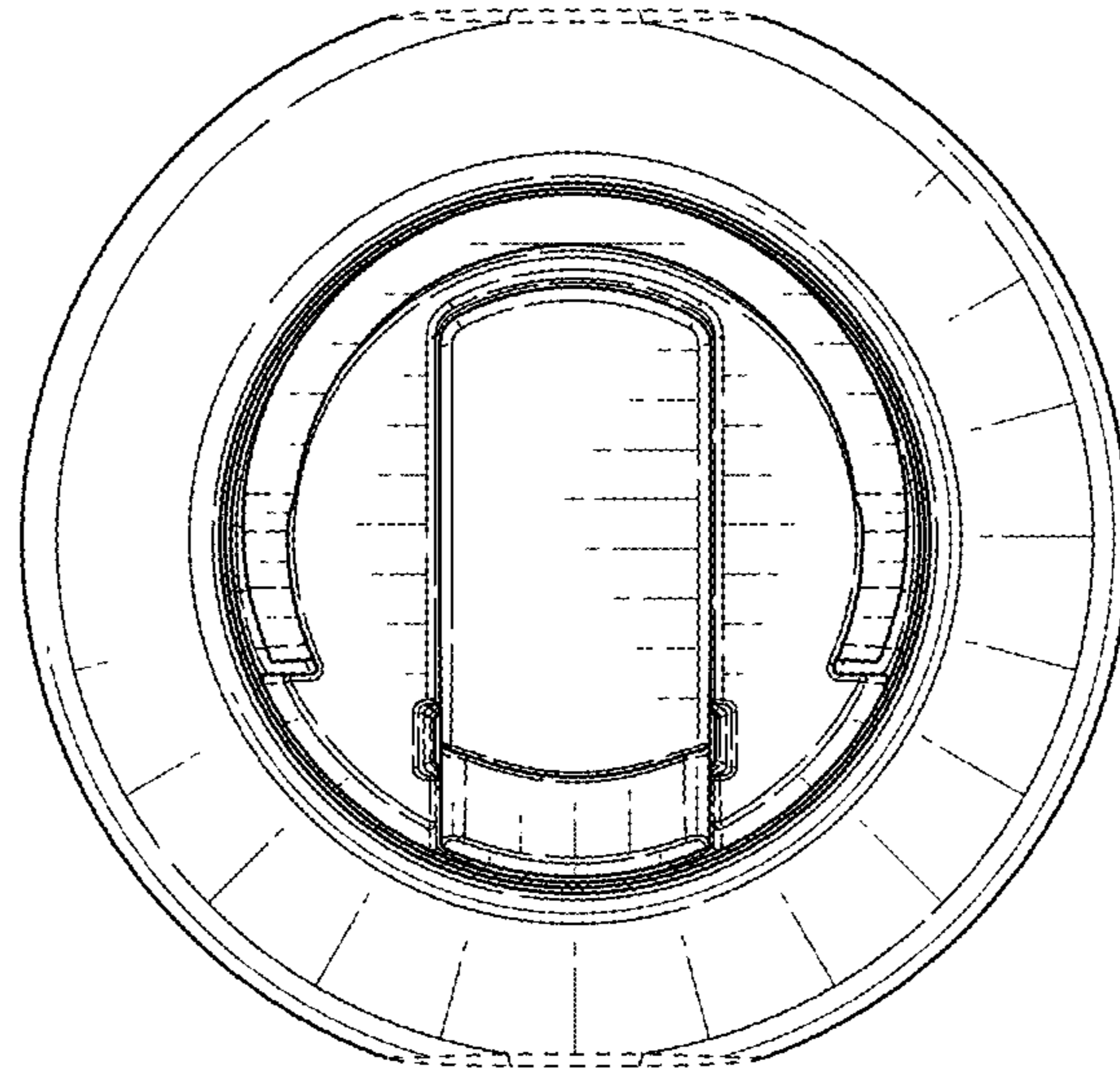


FIG. 13

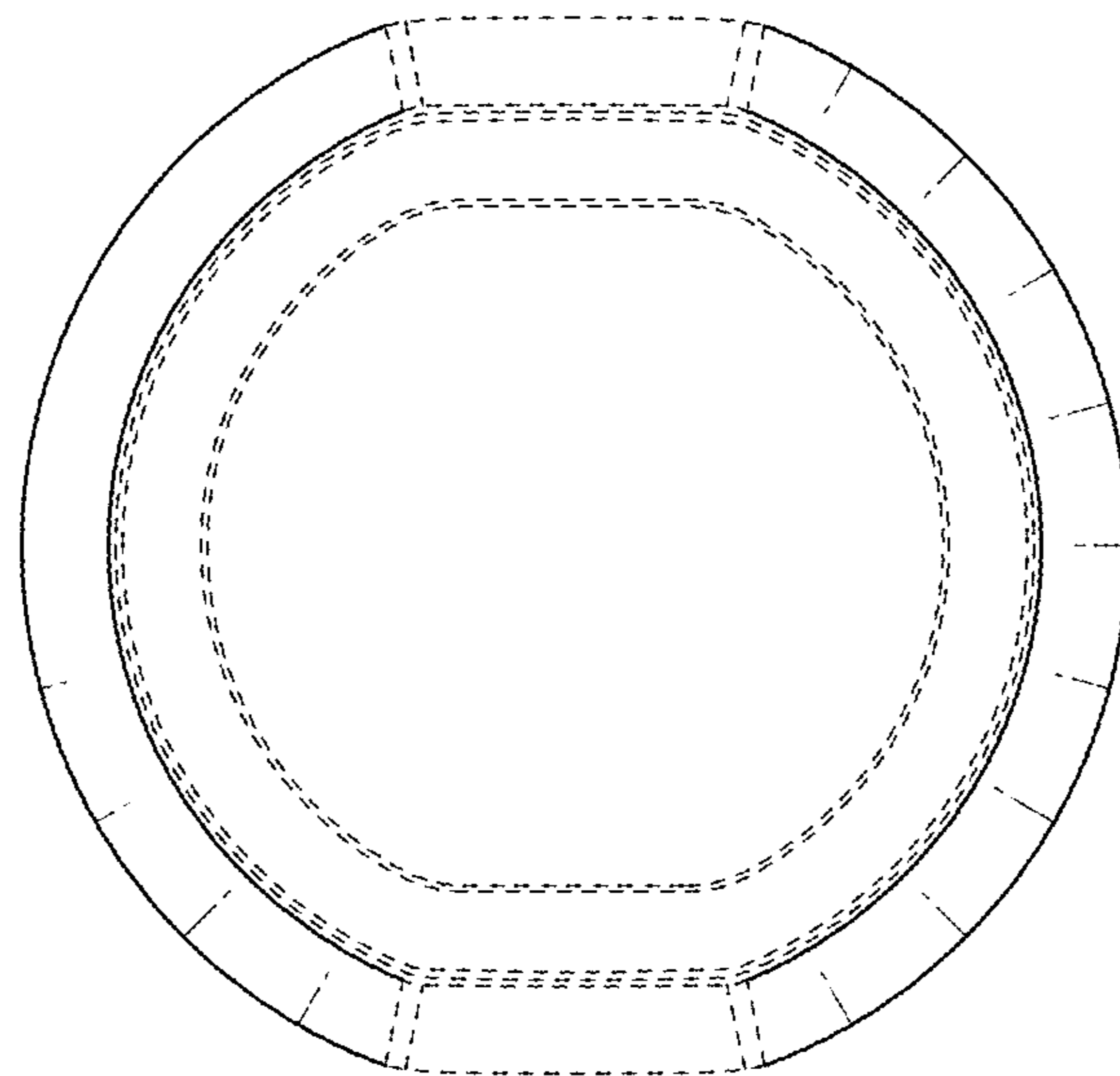


FIG. 14