



US00D959912S

(12) **United States Design Patent**
Kuo

(10) **Patent No.:** **US D959,912 S**

(45) **Date of Patent:** **** Aug. 9, 2022**

(54) **DISPOSABLE DRINKING VESSEL**

(71) Applicant: **Tse-Huang Kuo**, Taipei (TW)

(72) Inventor: **Tse-Huang Kuo**, Taipei (TW)

(**) Term: **15 Years**

(21) Appl. No.: **29/760,591**

(22) Filed: **Dec. 2, 2020**

(30) **Foreign Application Priority Data**

Jun. 12, 2020 (TW) 109303179

(51) **LOC (13) Cl.** **07-01**

(52) **U.S. Cl.**
USPC **D7/509; D7/507**

(58) **Field of Classification Search**
USPC D7/507, 509, 510, 511, 533, 536, 392.1,
D7/396.1, 396.2, 608, 603, 316, 619.1,
D7/598, 600, 900; D9/443, 449, 561,
D9/545; D3/202; D29/125, 126
CPC A47G 19/2205; A47G 23/16; A47G
19/2272; A47J 41/00; A47J 41/02; A47J
41/0088; A47J 41/0077; Y10S 220/903;
B65D 21/02; B65D 43/00; B65D 41/00
See application file for complete search history.

(56) **References Cited**

U.S. PATENT DOCUMENTS

- 1,384,725 A * 7/1921 Levy A47G 19/2205
229/117.12
- 2,378,750 A * 6/1945 Carew B65D 3/28
229/402
- 2,558,287 A * 6/1951 Amberg B65D 3/28
229/402
- 2,581,516 A * 1/1952 Cohen A47G 21/18
220/710
- 2,745,586 A * 5/1956 Thoma B65D 3/06
229/401

- 2,868,434 A * 1/1959 Jones A47G 23/0216
229/402
- D192,967 S * 6/1962 Behrens D9/551
- 3,870,220 A * 3/1975 Koury B65D 85/816
426/86

(Continued)

FOREIGN PATENT DOCUMENTS

- CN 306783453 * 8/2021
- GB 6107212 * 11/2020

(Continued)

OTHER PUBLICATIONS

Recycling [online] URL: <https://www.theprch.com/this-vs-that/recycling-yogurtcontainers/> (site visited: Mar. 24, 2022) (Year: 2016).*

(Continued)

Primary Examiner — Jae Liang
Assistant Examiner — Tia Ruth-Renee Polidori
(74) *Attorney, Agent, or Firm* — Muncy, Geissler, Olds & Lowe, P.C.

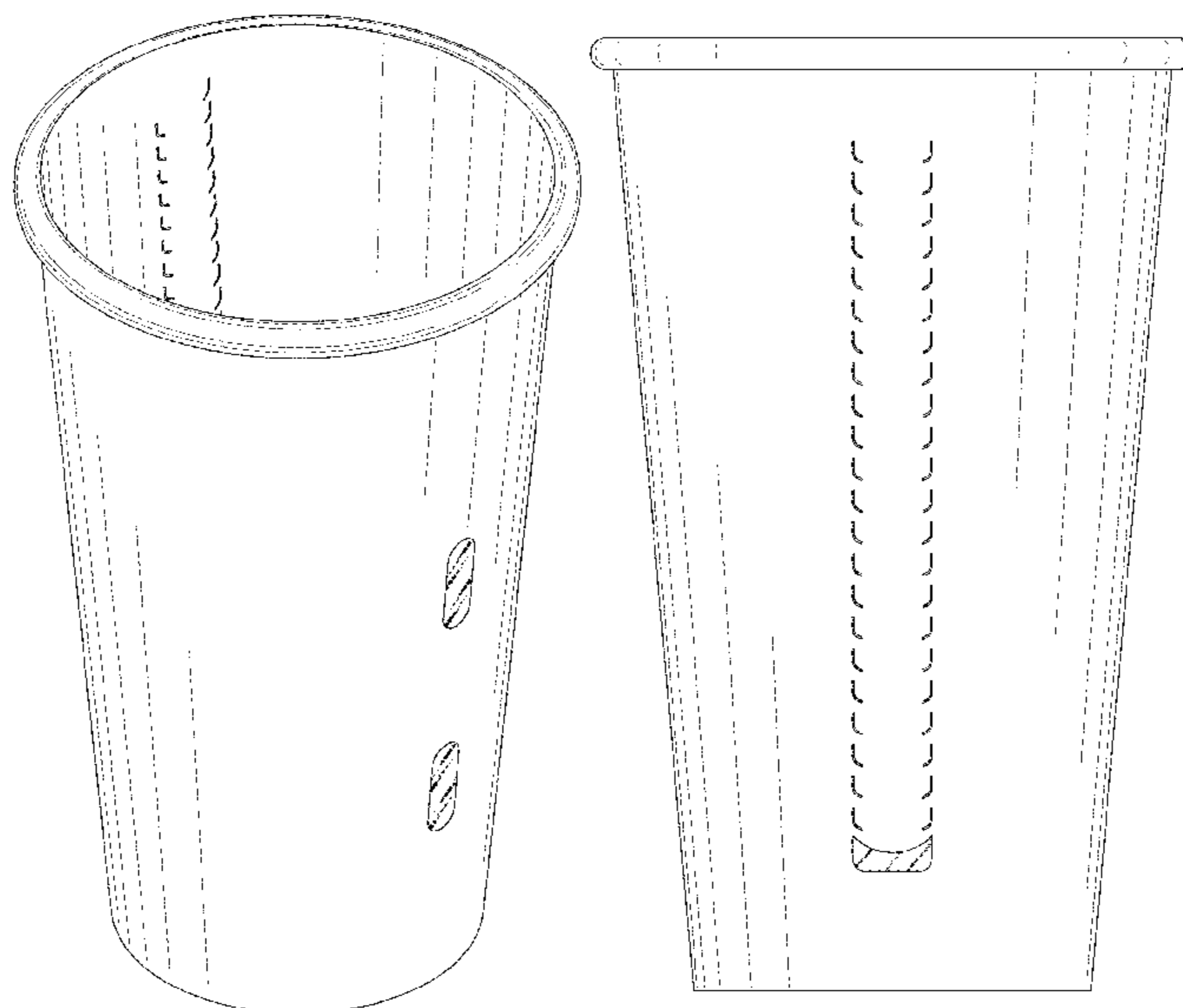
(57) **CLAIM**

The ornamental design for a disposable drinking vessel, as shown and described.

DESCRIPTION

FIG. 1 is a top perspective view of a disposable drinking vessel in accordance with the present design; FIG. 2 is a front side elevation view thereof; FIG. 3 is a rear side elevation view thereof; FIG. 4 is a left side elevation view thereof; FIG. 5 is a right side elevation view thereof; FIG. 6 is a top plan view thereof; FIG. 7 is a bottom plan view thereof; and, FIG. 8 is another top perspective view of a disposable drinking vessel in accordance with the present design.

1 Claim, 8 Drawing Sheets



(56)

References Cited

U.S. PATENT DOCUMENTS

3,926,361 A * 12/1975 Hilderbrand B65D 77/24
206/232
5,007,578 A * 4/1991 Simone B65D 3/28
206/459.5
5,425,497 A * 6/1995 Sorensen B65D 81/3874
220/903
5,996,887 A * 12/1999 Cai B65D 3/28
229/116.1
6,206,229 B1 * 3/2001 Harjes B65D 1/265
229/404
D443,475 S * 6/2001 Miura D7/533
D444,672 S * 7/2001 Miura D7/533
D635,399 S * 4/2011 DelVecchio D7/509
8,191,708 B2 * 6/2012 D'Amato B65D 25/205
206/459.5
D891,183 S * 7/2020 Patel D7/523
2014/0284344 A1 * 9/2014 French A47G 19/2272
220/713

2014/0361017 A1* 12/2014 Shonborn A47G 19/2205
220/503
2019/0357710 A1* 11/2019 Kang A47G 19/2205
2020/0231326 A1* 7/2020 Romano B65D 1/265

FOREIGN PATENT DOCUMENTS

GB 6107213 * 11/2020
JP D1692503 * 8/2021
JP D1692505 * 8/2021
KR 301104509.0000 * 4/2021

OTHER PUBLICATIONS

McDonalds [online] URL: <https://www.elitedaily.com/p/heres-how-to-play-mcdonalds-trick-treat-win-halloweengame-for-legit-prizes-12166838> (site visited: Mar. 24, 2022) (Year: 2018).*
Subway [online] URL: https://publicaffairs-sme.com/Community_DEV/2019/01/30/subway-oconus-sip-rip-win-contest/ (site visited: Mar. 24, 2022) (Year: 2019).*

* cited by examiner

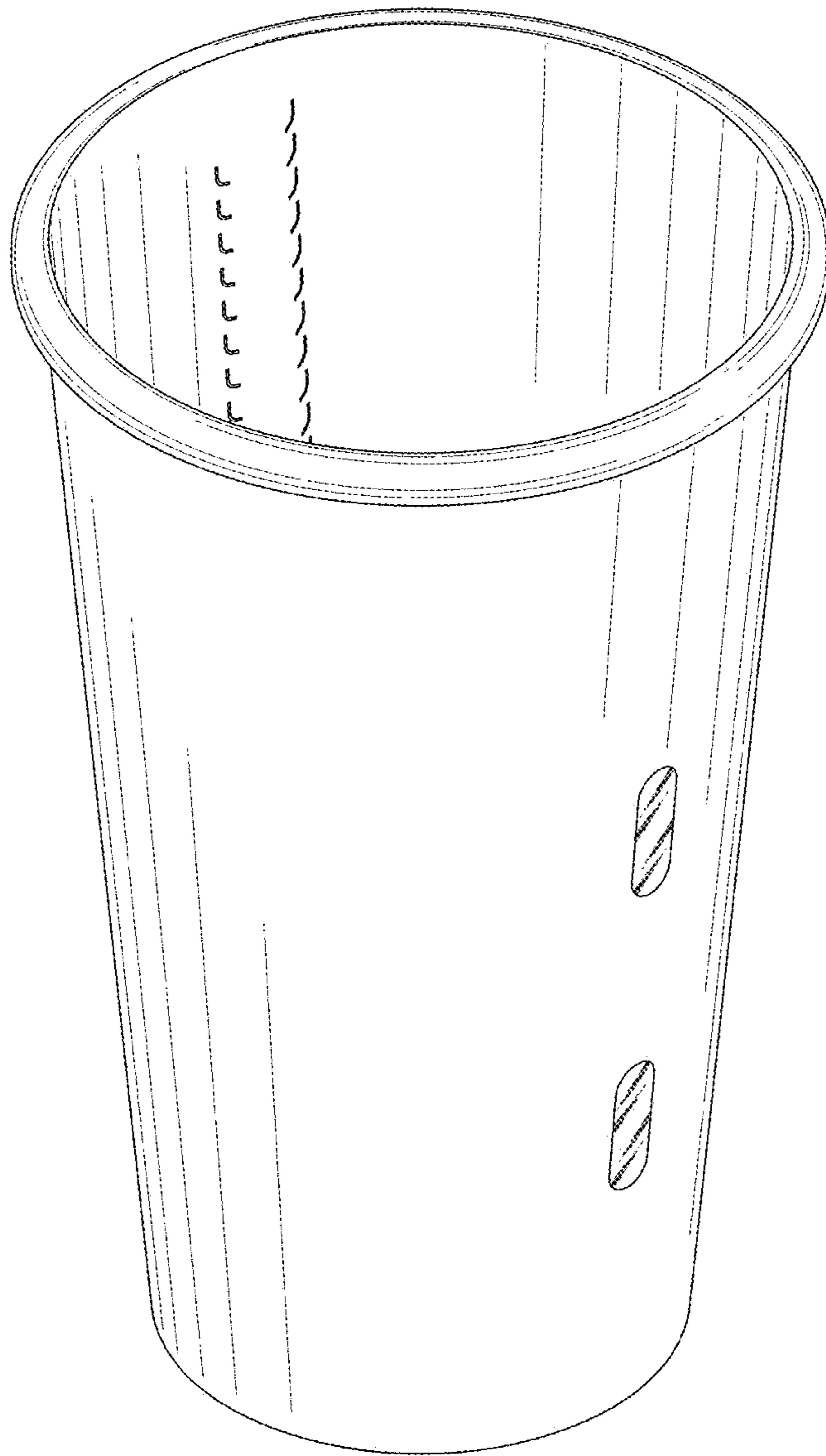


FIG.1

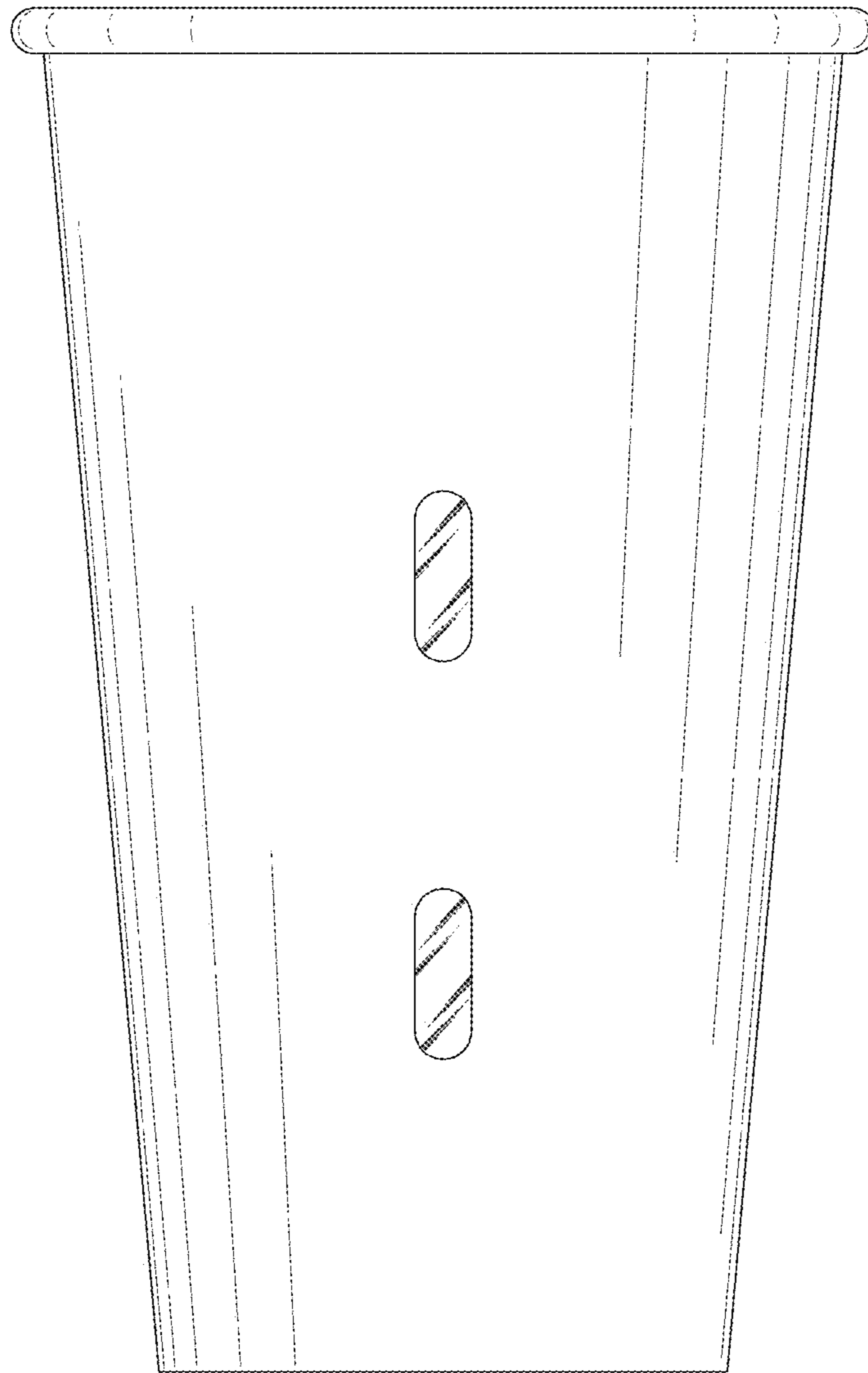


FIG.2

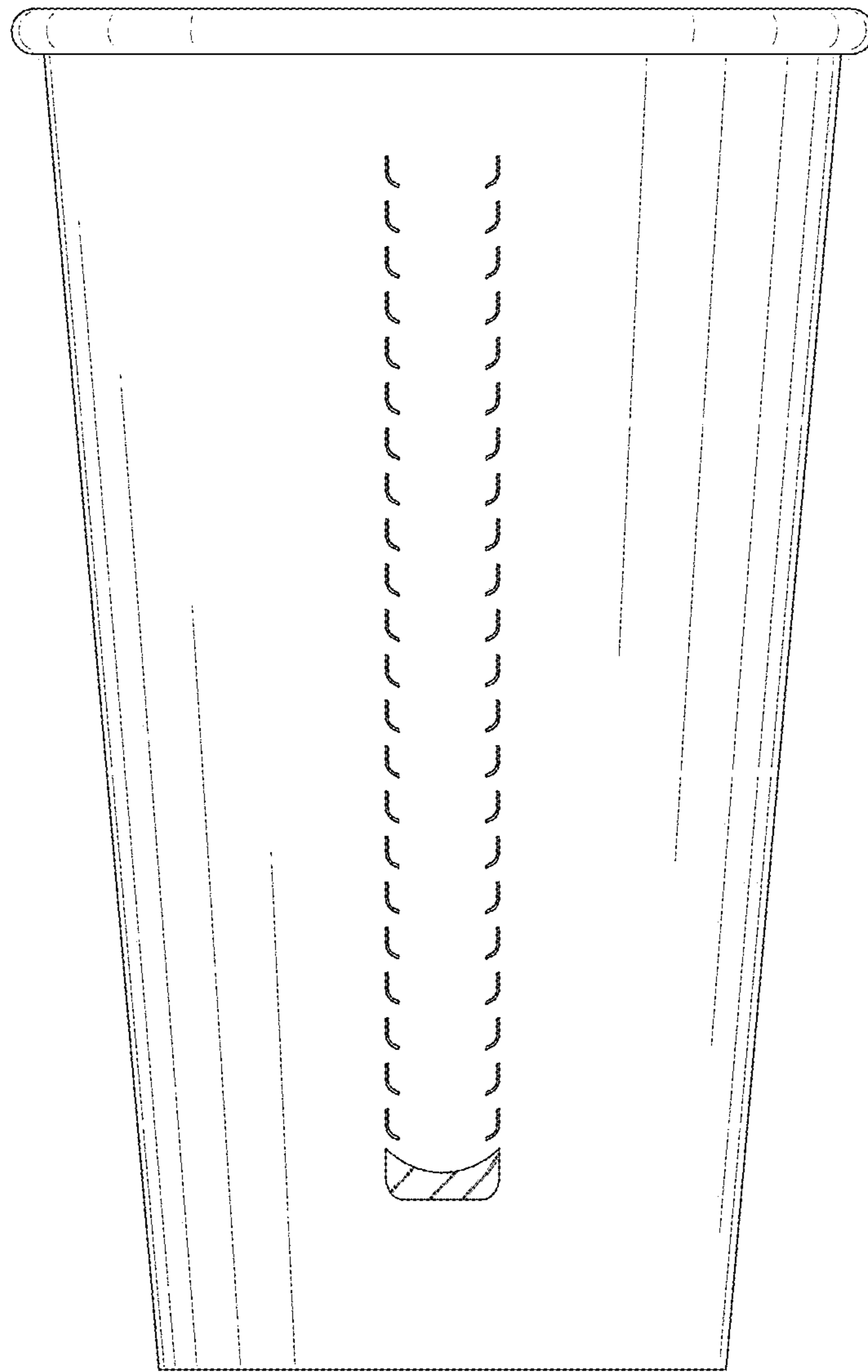


FIG.3

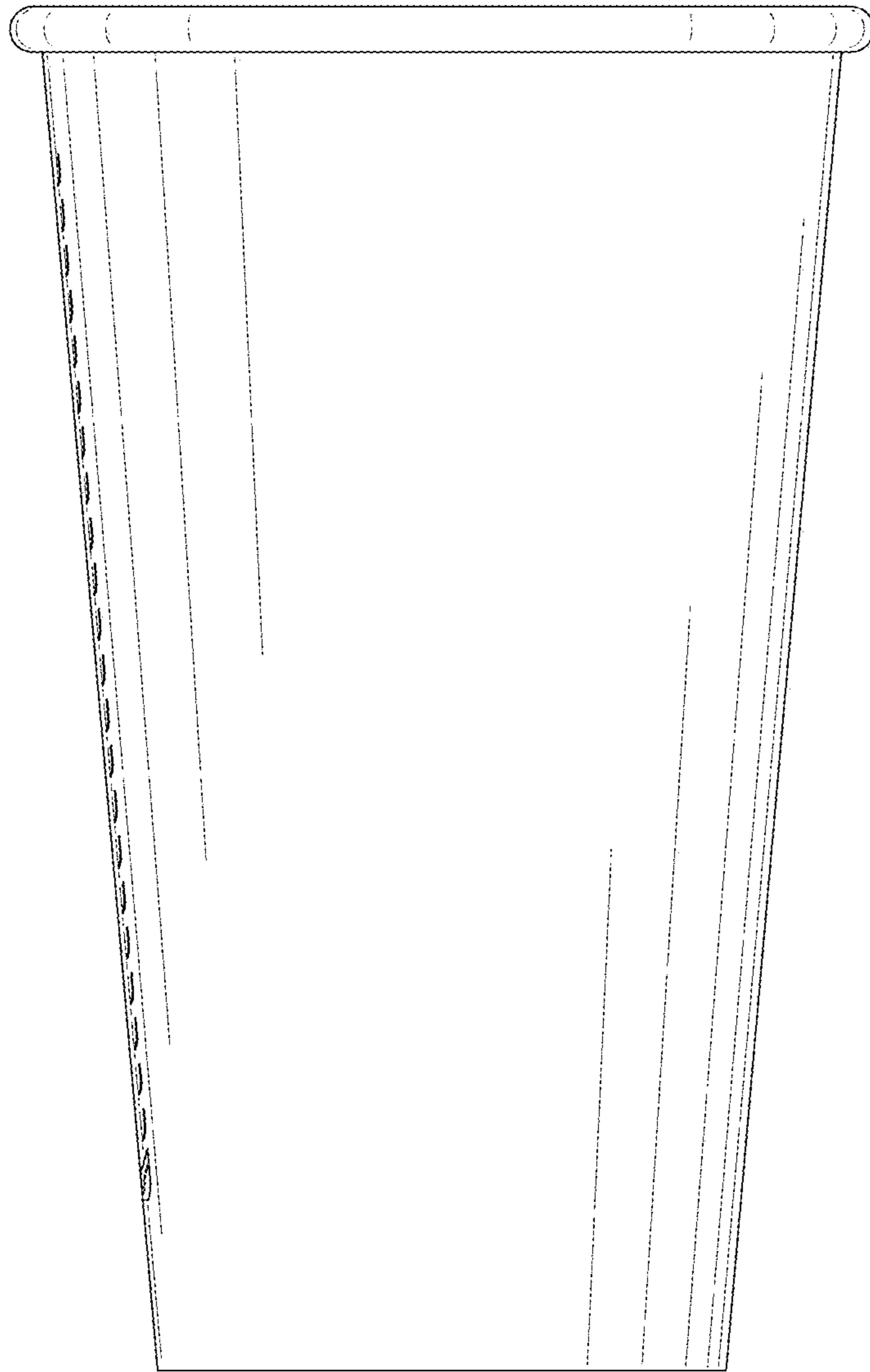


FIG.4

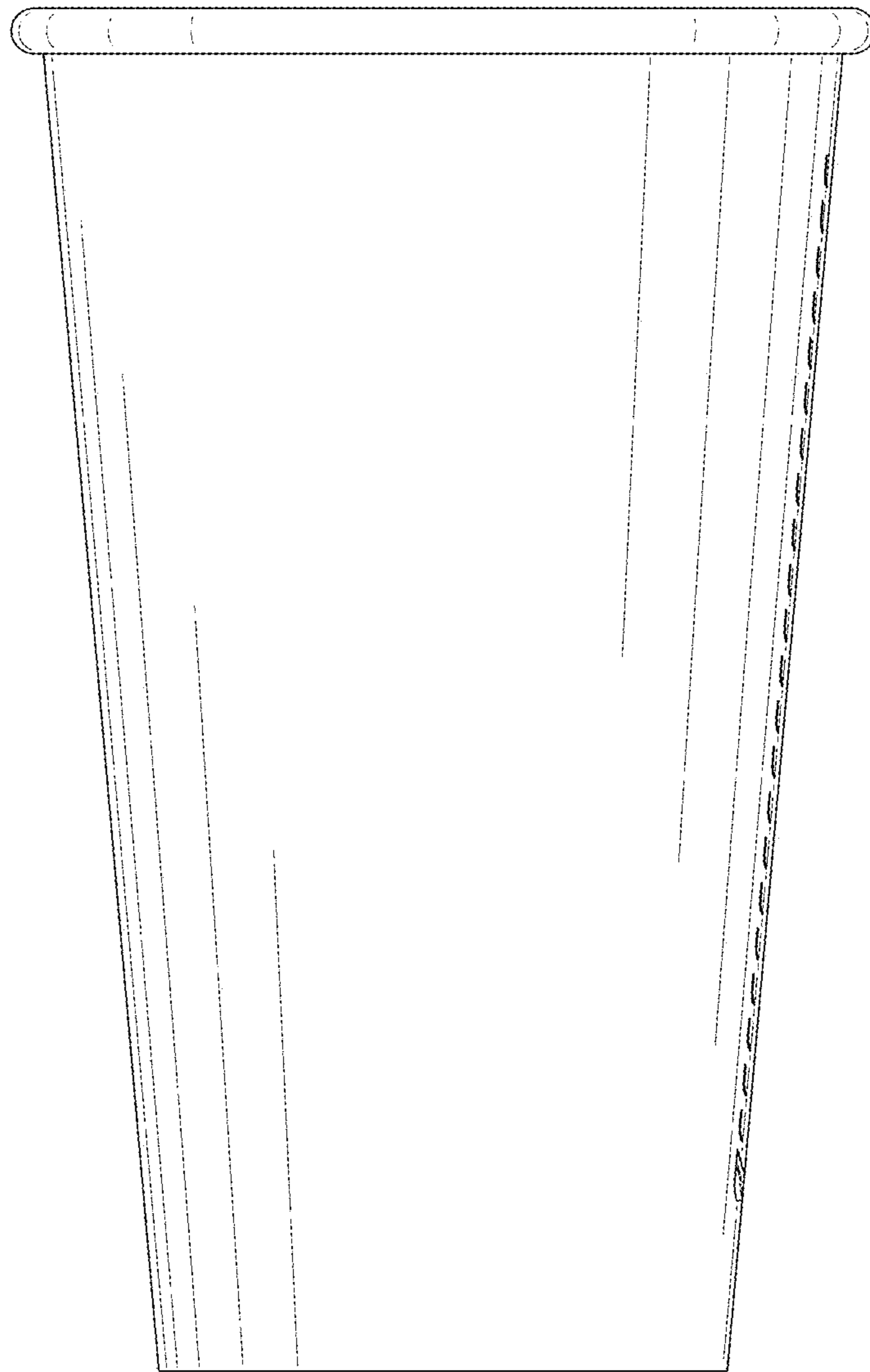


FIG.5

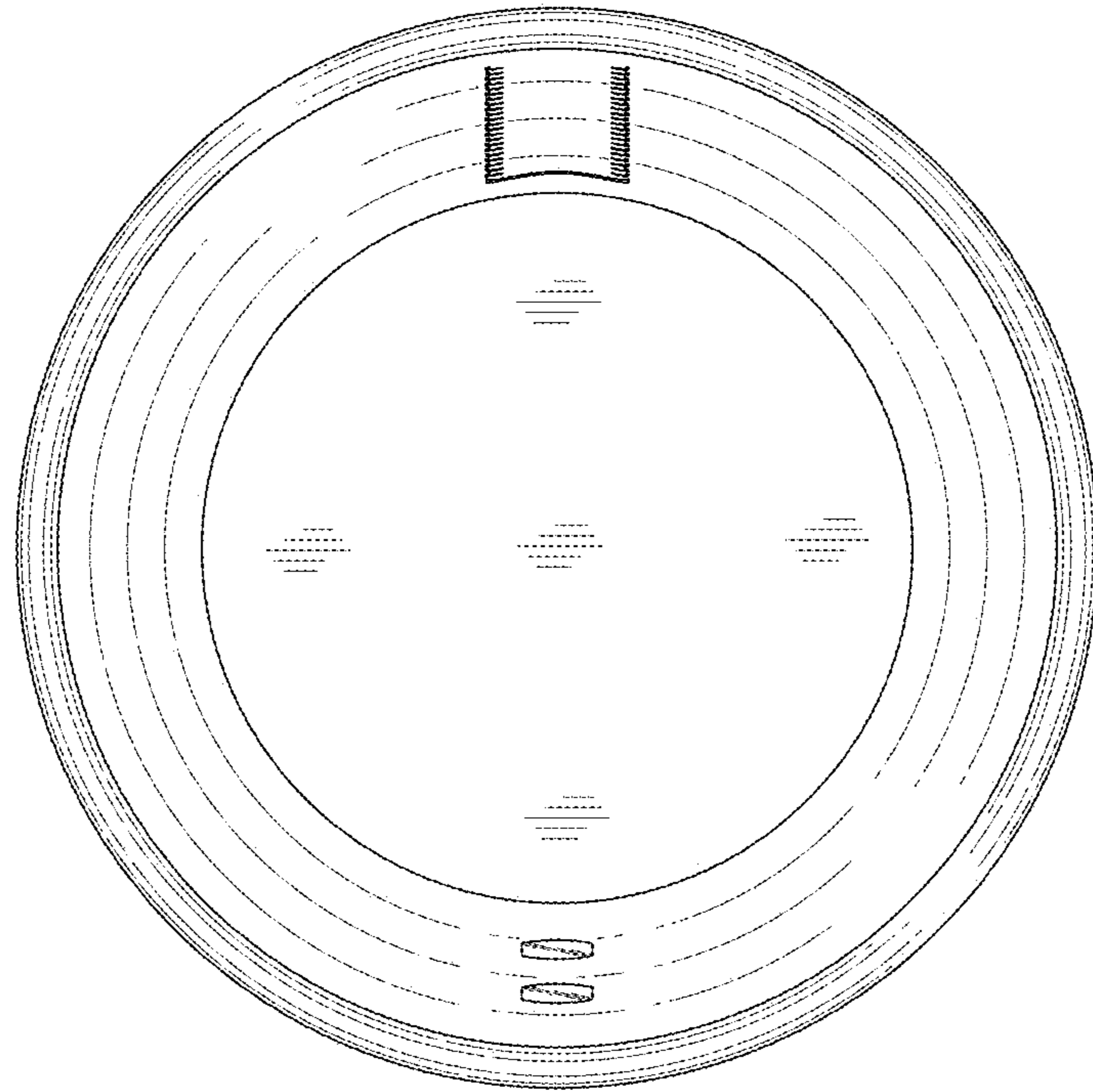


FIG.6

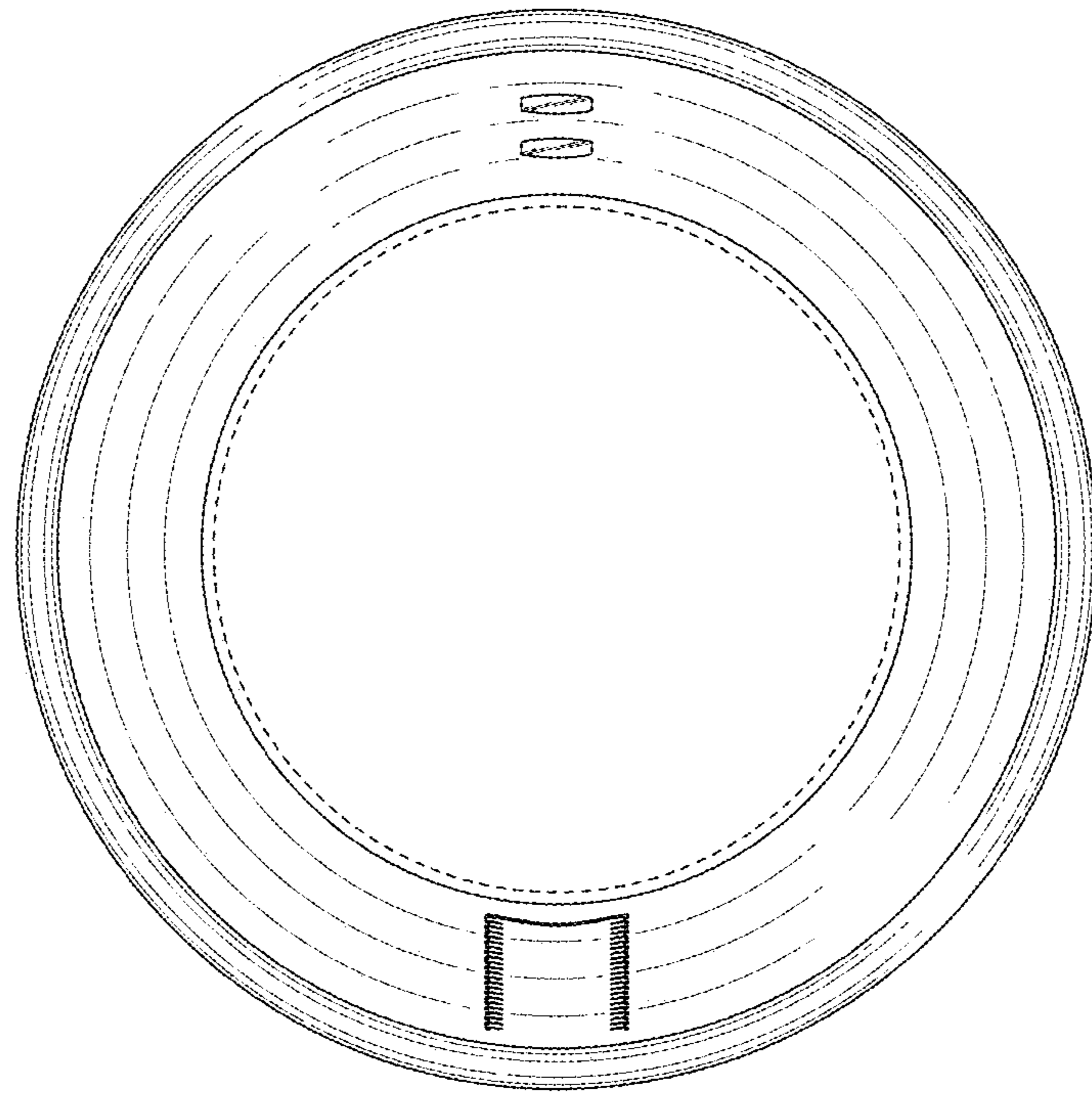


FIG.7

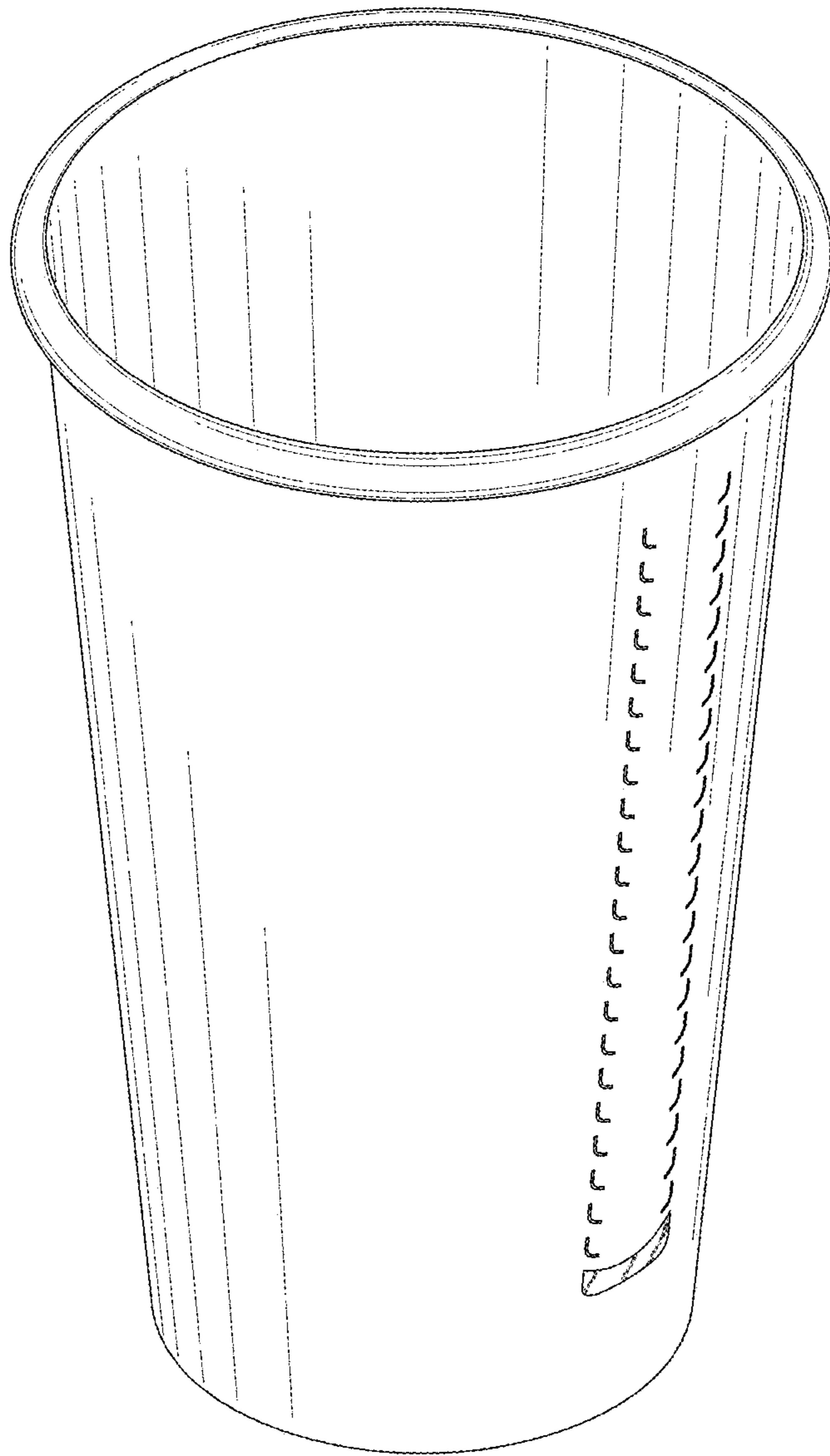


FIG.8