



US00D959909S

(12) **United States Design Patent**  
**Mock et al.**

(10) **Patent No.:** **US D959,909 S**  
(45) **Date of Patent:** **\*\* Aug. 9, 2022**

(54) **STORAGE LID FOR A FOOD PROCESSOR**

(71) Applicant: **WHIRLPOOL CORPORATION**,  
Benton Harbor, MI (US)

(72) Inventors: **Brandon Tyler Mock**, St. Joseph, MI  
(US); **Yifan Wang**, Benton Harbor, MI  
(US)

(73) Assignee: **Whirlpool Corporation**, Benton  
Harbor, MI (US)

(\*\*) Term: **15 Years**

(21) Appl. No.: **29/766,210**

(22) Filed: **Jan. 14, 2021**

(51) **LOC (13) Cl.** ..... **31-00**

(52) **U.S. Cl.**  
USPC ..... **D7/413; D7/376; D7/378; D7/391;**  
**D7/412**

(58) **Field of Classification Search**

USPC ..... **D7/372, 376-386, 412-413, 602, 629,**  
**D7/665-666, 669, 679, 693-694**  
CPC .... **A21C 1/02; A21C 1/04; A23N 1/00; A23N**  
**1/02; A47J 43/04; A47J 43/25; A47J**  
**43/27; A47J 43/042; A47J 43/044; A47J**  
**43/046; A47J 43/075; A47J 43/0716;**  
**A47J 43/0722; A47J 43/0727; B01F 3/00;**  
**B01F 3/0807; B01F 3/0853; B01F**  
**13/0059; B01F 13/0064; B02C 1/08;**  
**B02C 2/04; B02C 4/42; B02C 4/142;**  
**B02C 4/143; B02C 4/423; B02C 13/1835;**  
**B26D 7/2614; B28C 5/10; B28C 5/12;**  
**B28C 5/14; B28C 5/16**

See application file for complete search history.

(56) **References Cited**

**U.S. PATENT DOCUMENTS**

4,194,697 A 3/1980 Lembeck  
4,586,666 A 5/1986 Fox

7,530,510 B2 5/2009 Newman et al.  
D679,543 S \* 4/2013 Repac ..... D7/378  
8,733,239 B2 \* 5/2014 Allen ..... A47J 43/046  
241/153  
D708,009 S 7/2014 Gillette et al.  
D708,010 S 7/2014 Gillette et al.  
D711,682 S \* 8/2014 Norland ..... D7/384  
9,084,508 B2 \* 7/2015 Sandford ..... A47J 43/046  
D772,002 S 11/2016 Affatato et al.  
D793,152 S \* 8/2017 Gushwa ..... D7/378  
D808,718 S \* 1/2018 Coakley ..... D7/378  
D835,454 S 12/2018 Coakley

(Continued)

**FOREIGN PATENT DOCUMENTS**

WO 2013000774 A1 1/2013

*Primary Examiner* — Ricky Pham

(74) *Attorney, Agent, or Firm* — Price Heneveld LLP

(57) **CLAIM**

The ornamental design for a storage lid for a food processor,  
as shown and described.

**DESCRIPTION**

FIG. 1 is a rear top perspective view of a storage lid for a  
food processor according to a first embodiment of the  
design;

FIG. 2 is a front top perspective view thereof;

FIG. 3 is a front elevational view thereof;

FIG. 4 is a rear elevational view thereof;

FIG. 5 is a first side elevational view thereof;

FIG. 6 is a second side elevational view thereof;

FIG. 7 is a top plan view thereof; and,

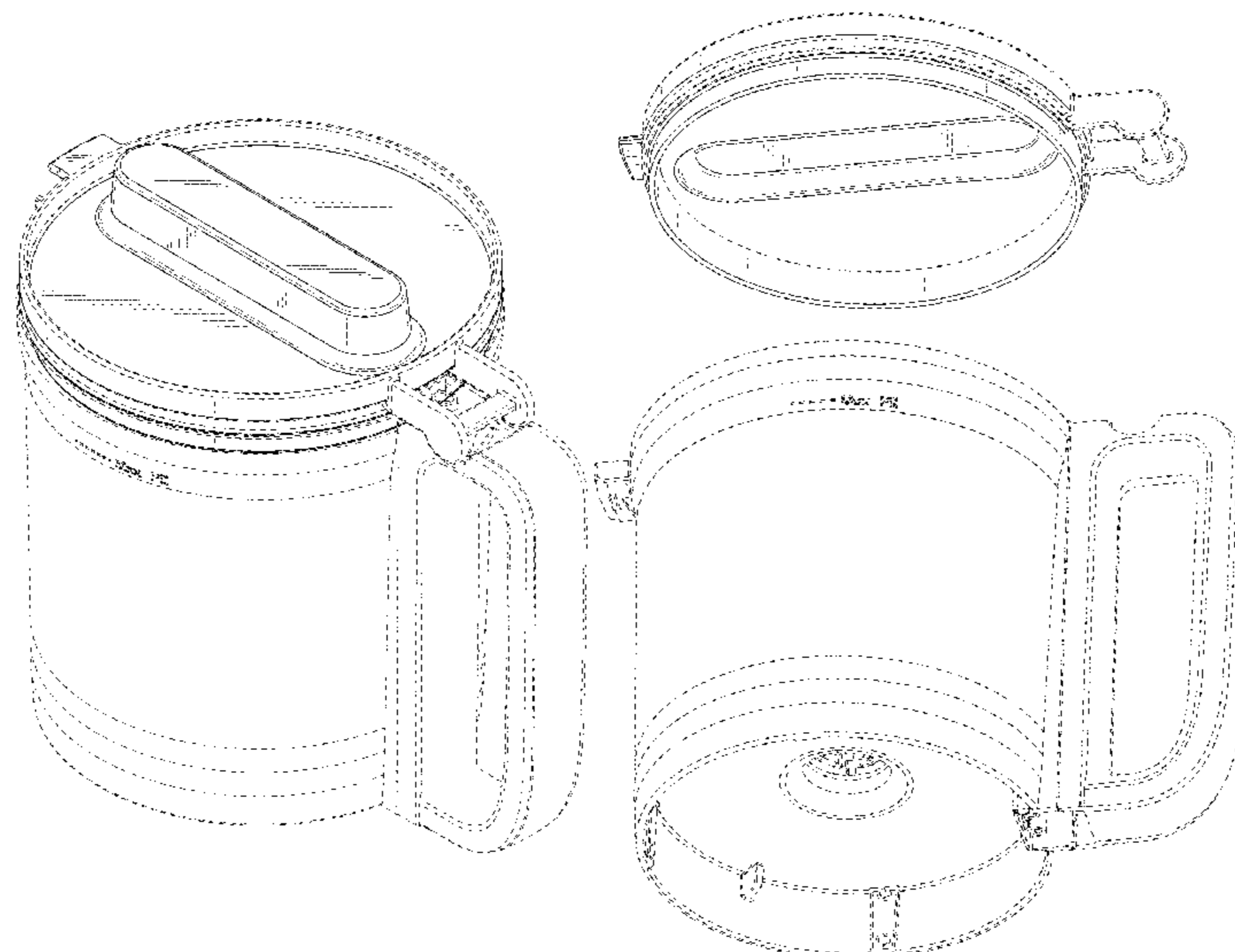
FIG. 8 is an exploded bottom perspective view thereof.

Broken lines are environmental only and form no part of the  
claimed design.

The portions of the article shown in broken line form no part  
of the claimed design.

Short dashed broken lines illustrate features and text that are  
environmental only and form no part of the claimed design.

**1 Claim, 8 Drawing Sheets**



(56)

**References Cited**

U.S. PATENT DOCUMENTS

D877,577 S \* 3/2020 Gross ..... D7/378  
D920,032 S \* 5/2021 McConnell ..... D7/378  
D943,338 S \* 2/2022 Feng ..... D7/378  
2011/0174905 A1\* 7/2011 Chan ..... A47J 43/0716  
241/37.5  
2017/0311760 A1\* 11/2017 Gushwa ..... B26D 7/2614  
2019/0075971 A1\* 3/2019 Noca ..... A47J 43/046

\* cited by examiner

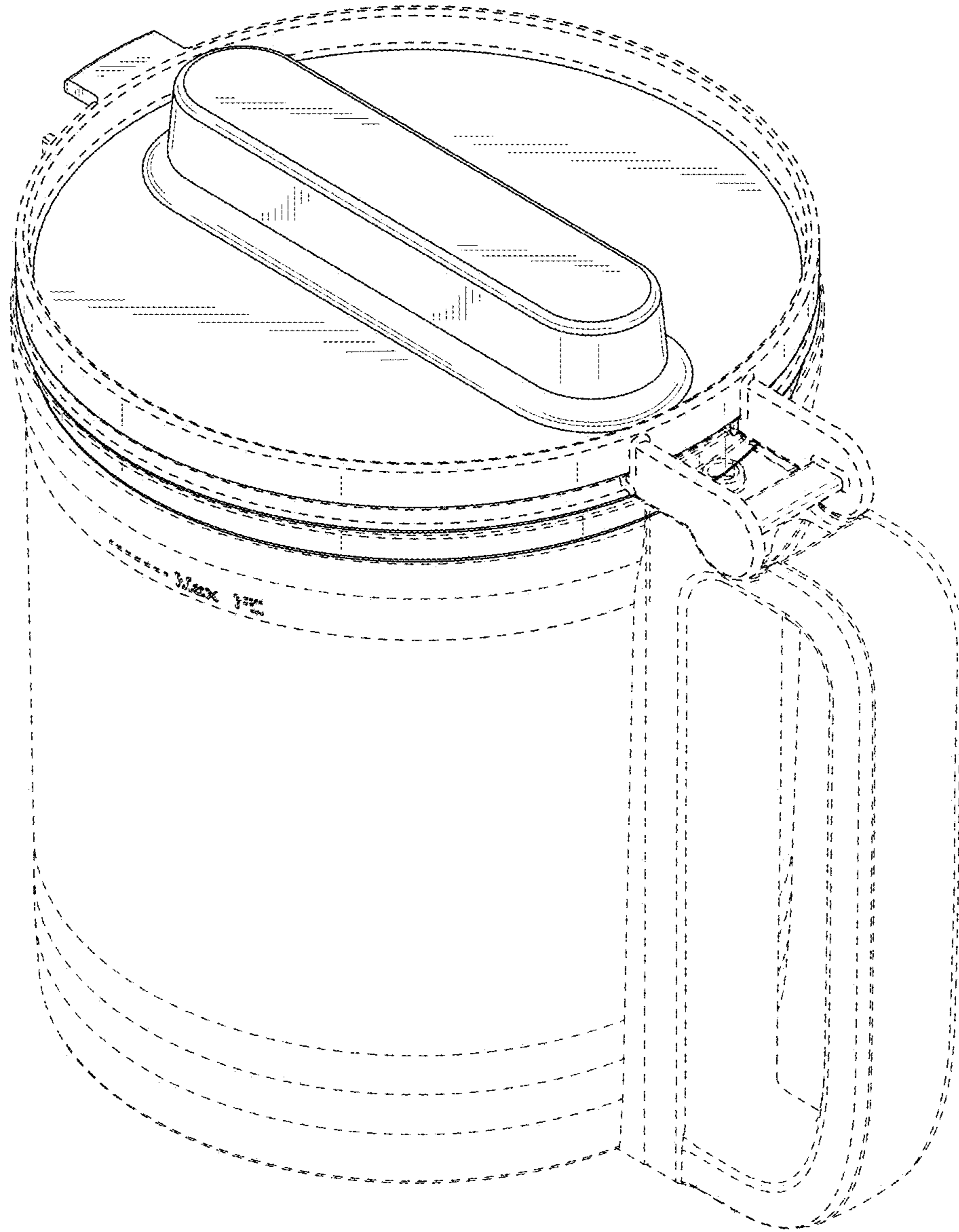
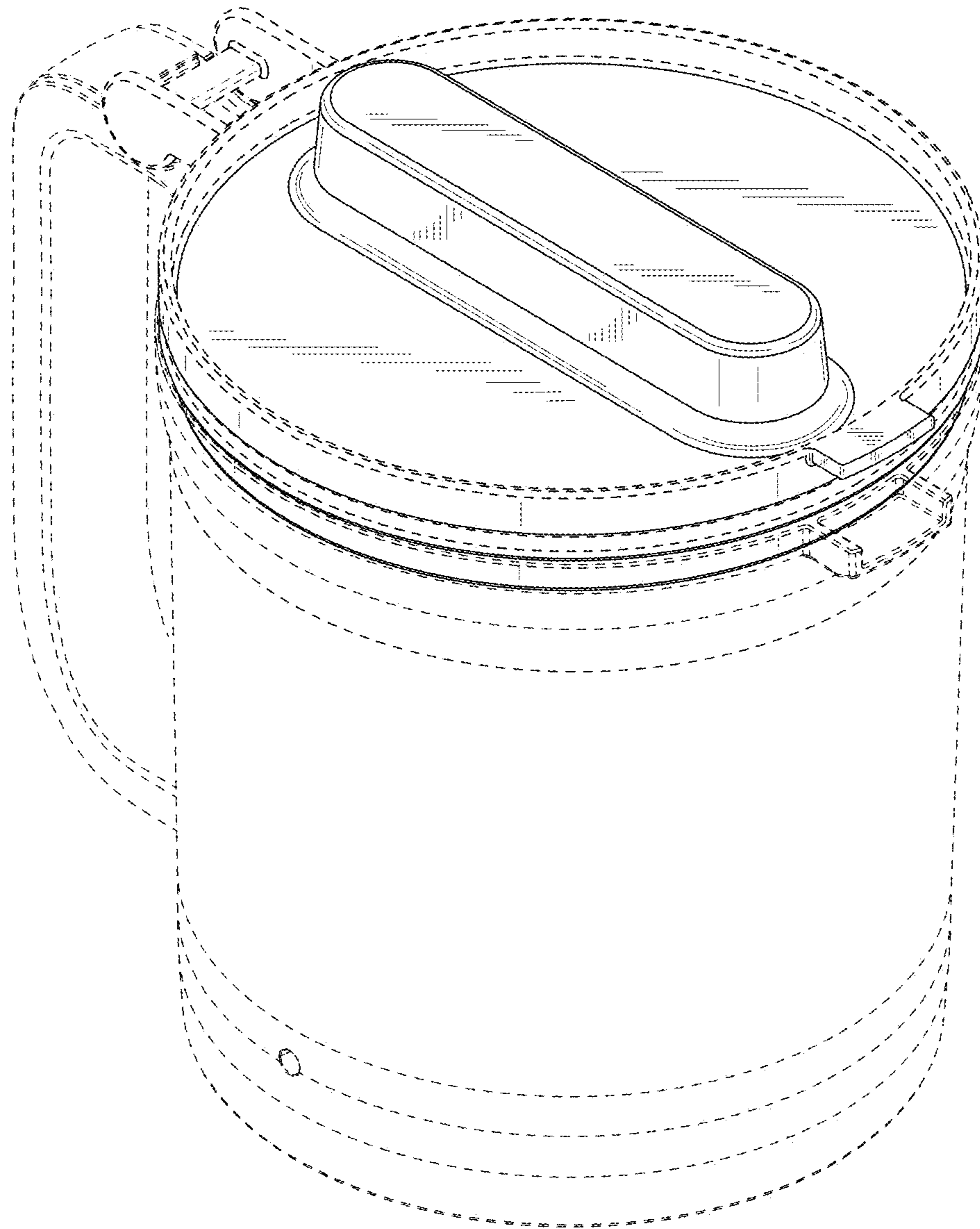
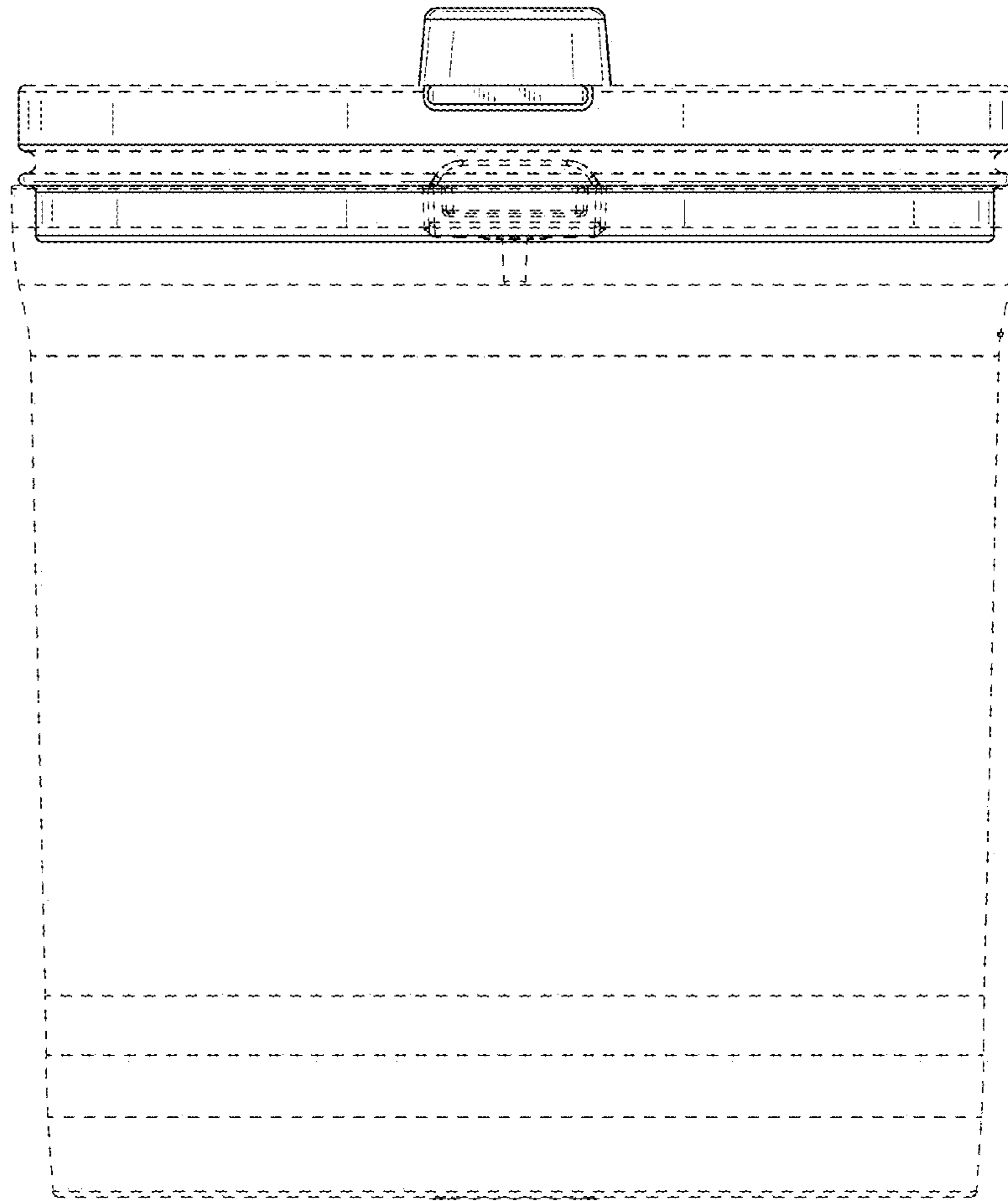


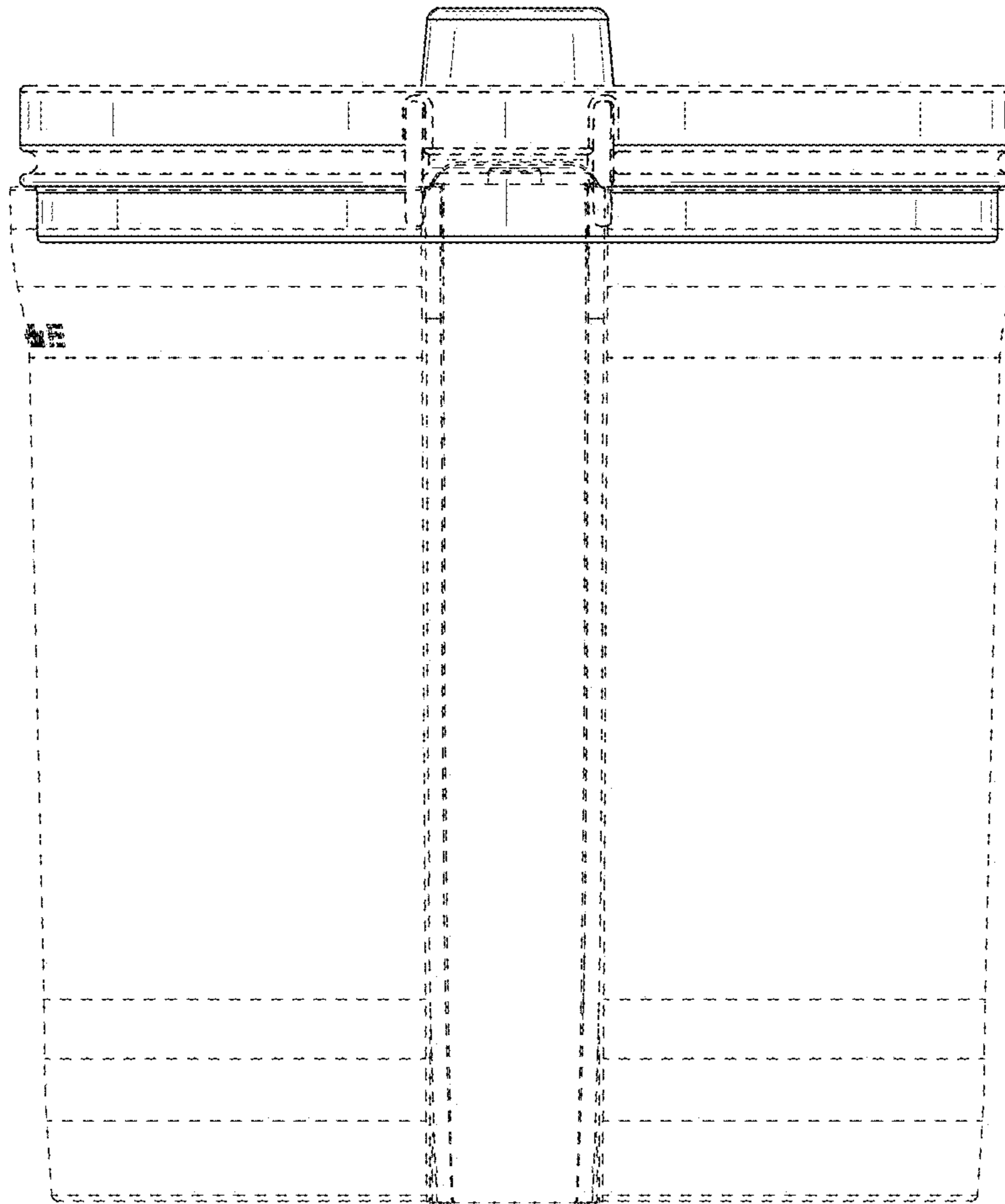
FIG. 1



**FIG. 2**



**FIG. 3**



**FIG. 4**

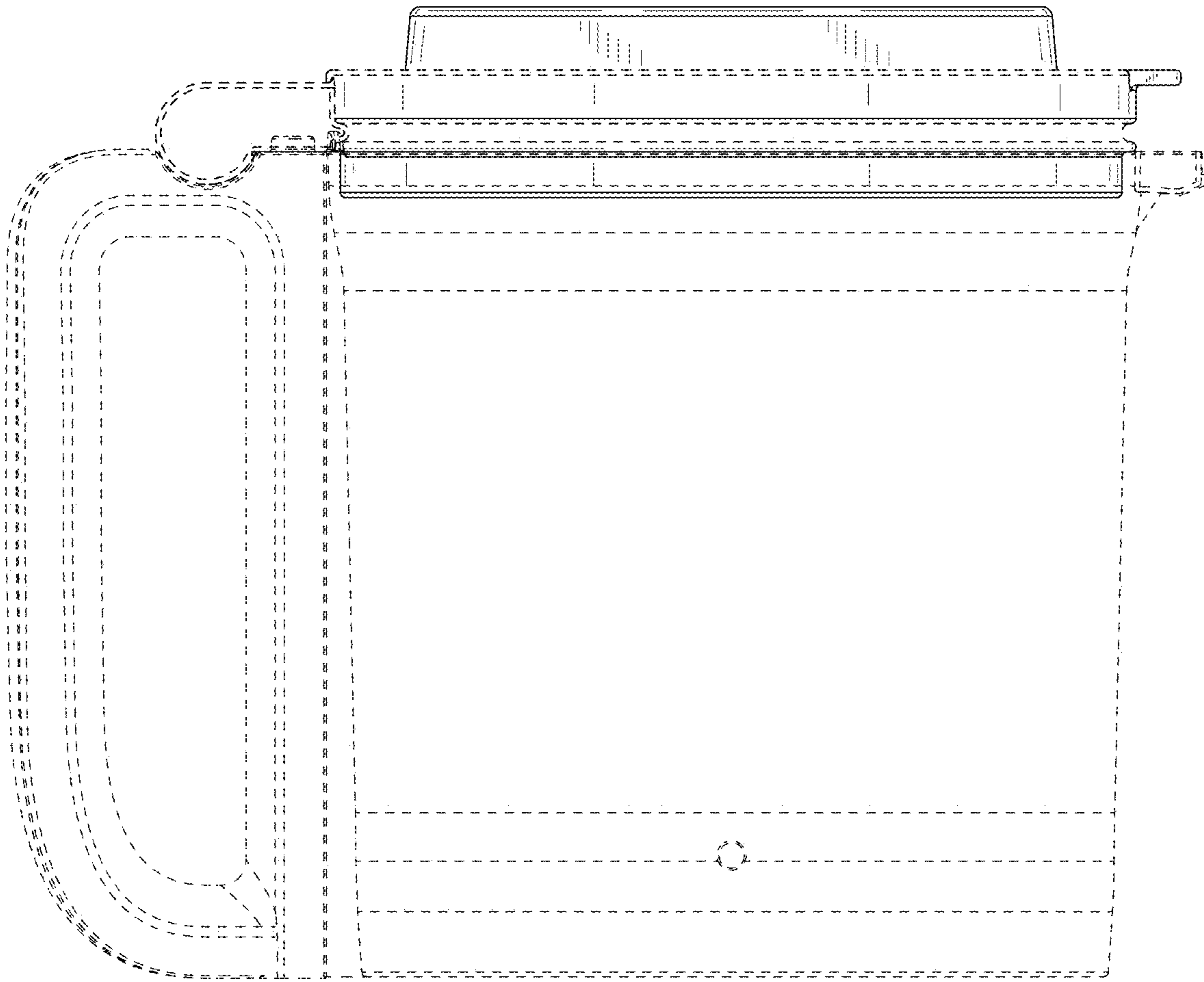


FIG. 5

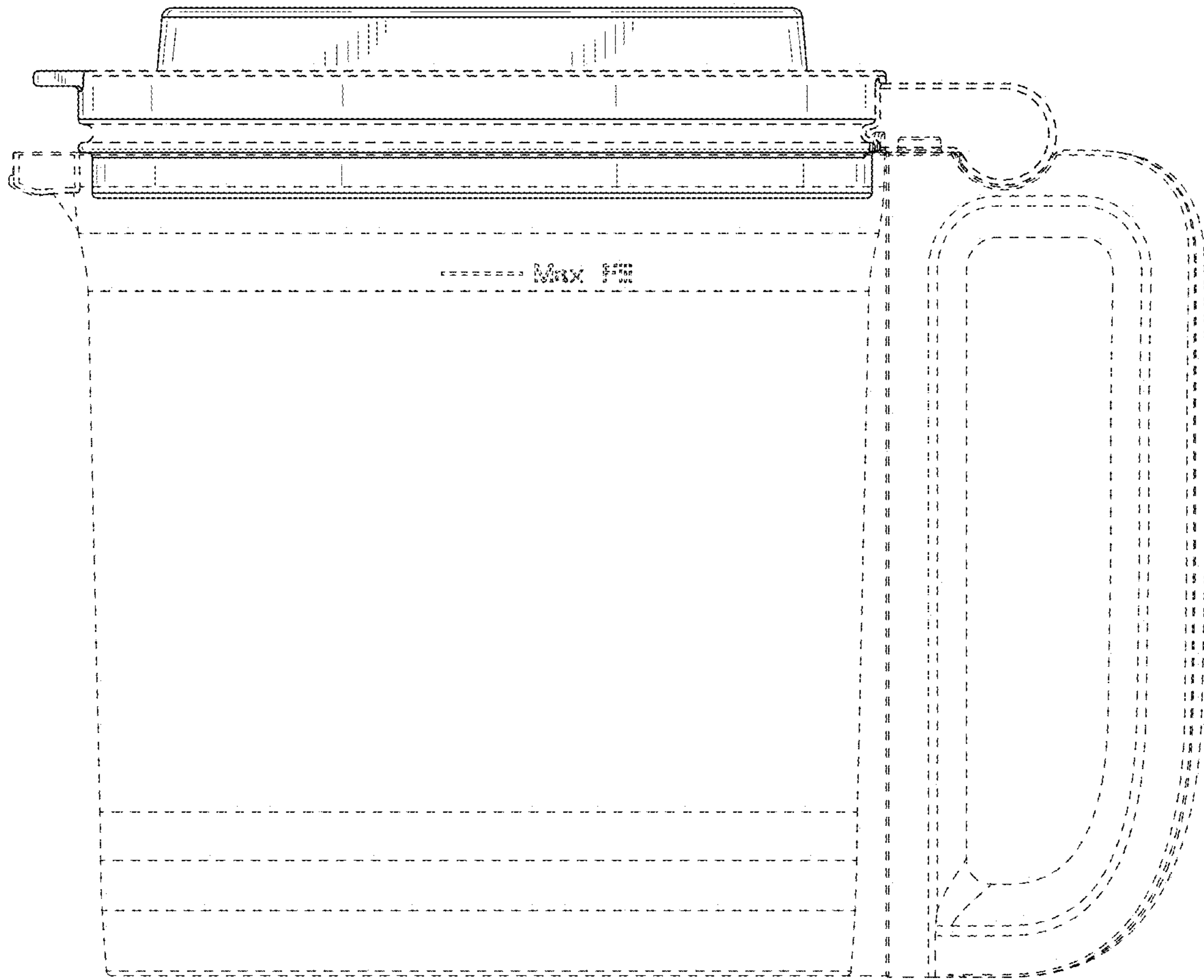
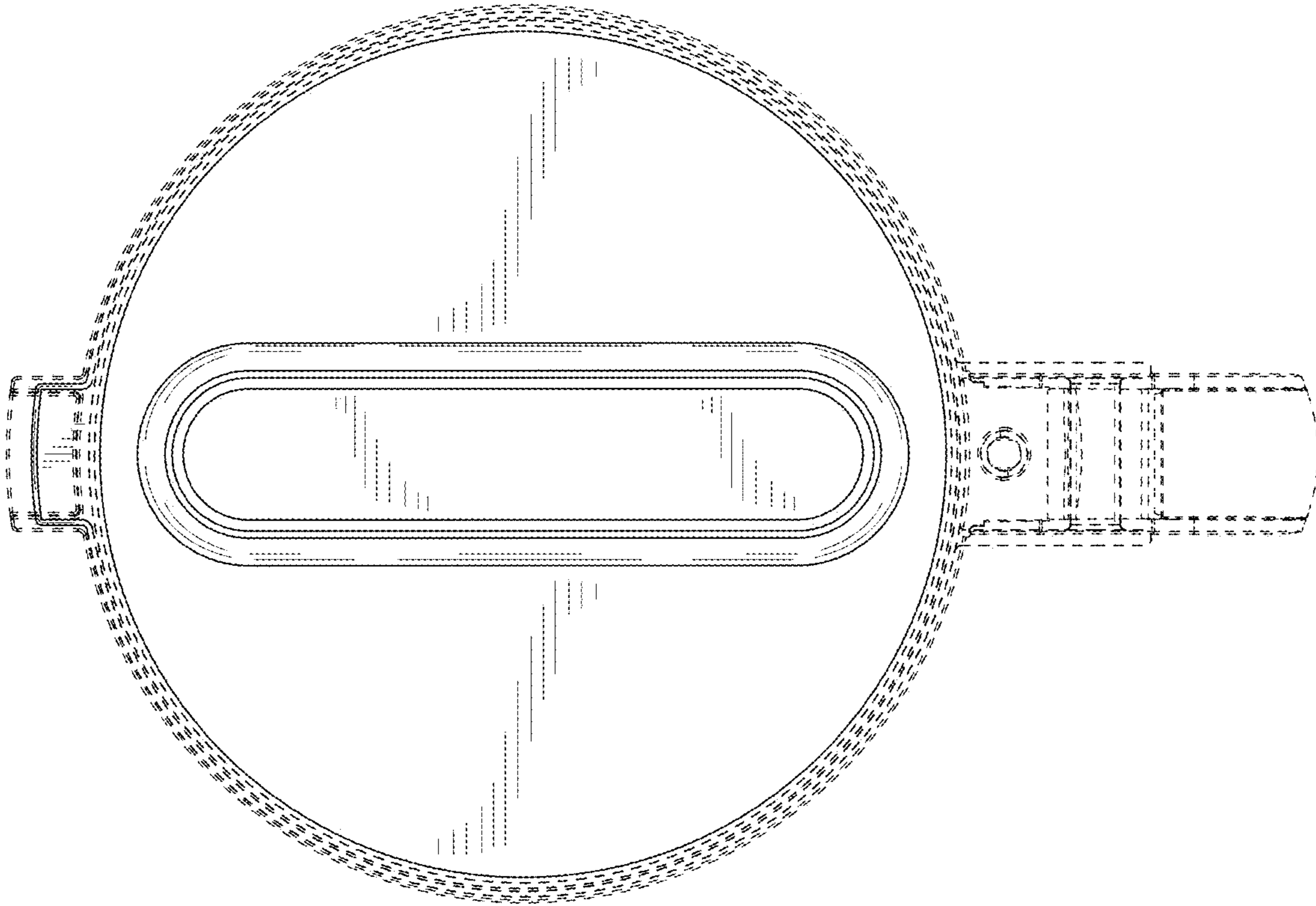
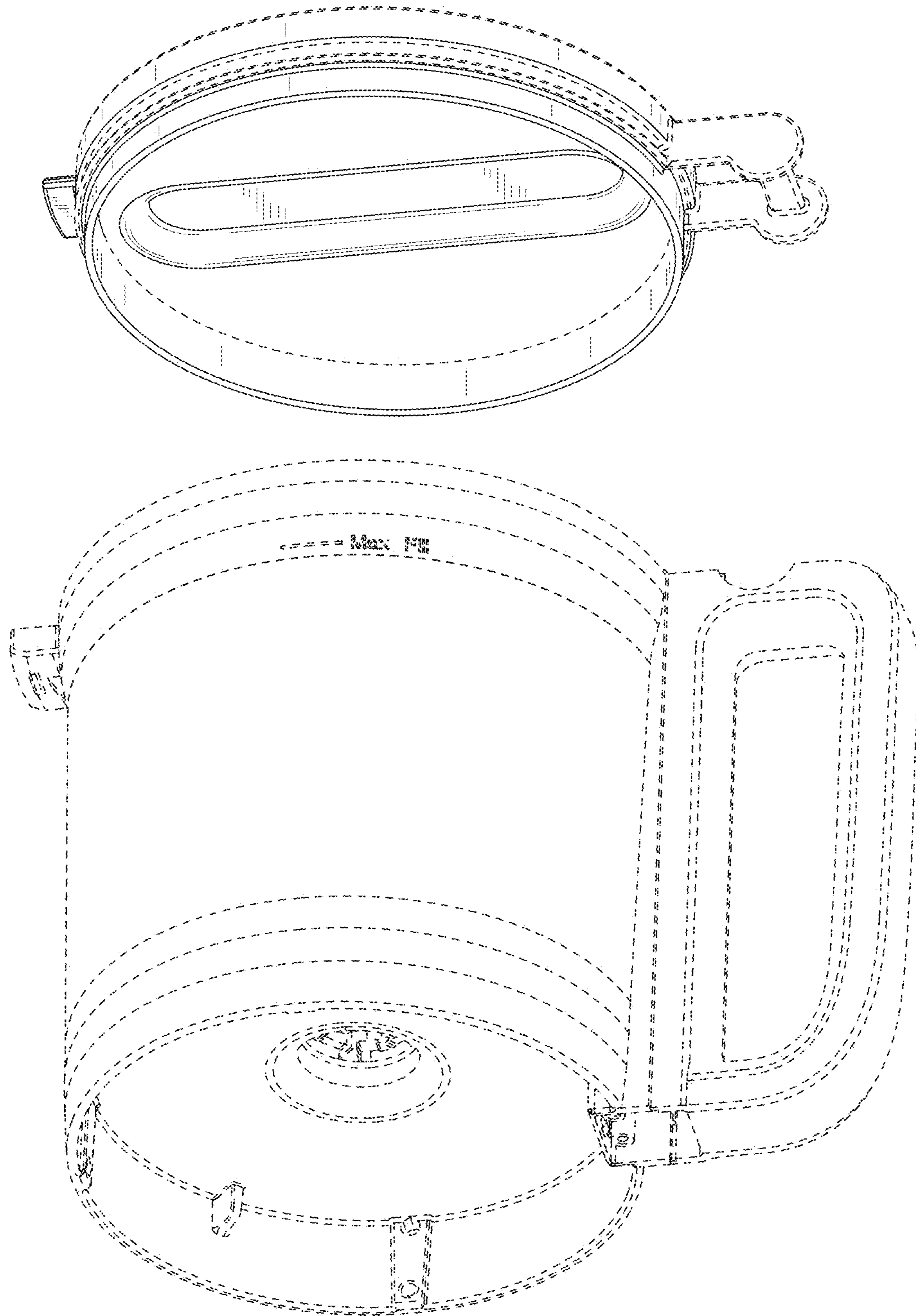


FIG. 6





**FIG. 7**



**FIG. 8**