



US00D959908S

(12) **United States Design Patent** (10) **Patent No.:** **US D959,908 S**
McConnell et al. (45) **Date of Patent:** **** Aug. 9, 2022**

(54) **ENCLOSURE FOR A BLENDER ASSEMBLY**

(71) Applicant: **WHIRLPOOL CORPORATION**,
Benton Harbor, MI (US)
(72) Inventors: **John W. McConnell**, St. Joseph, MI
(US); **Brandon T. Mock**, St. Joseph,
MI (US); **Zhaoyi Yin**, Benton Harbor,
MI (US)

(73) Assignee: **Whirlpool Corporation**, Benton
Harbor, MI (US)

(**) Term: **15 Years**

(21) Appl. No.: **29/816,165**

(22) Filed: **Nov. 19, 2021**

Related U.S. Application Data

(63) Continuation of application No. 29/784,214, filed on
May 18, 2021, now Pat. No. Des. 937,039, which is
(Continued)

(51) **LOC (13) Cl.** **31-00**

(52) **U.S. Cl.**
USPC **D7/412; D7/376; D7/378**

(58) **Field of Classification Search**
USPC D15/122; D16/225; D18/50; D7/319,
D7/372, 376-386, 393, 412-413, 586,
D7/602, 629, 665-666, 669, 679,
D7/693-694

CPC A21C 1/02; A21C 1/04; A23N 1/00; A23N
1/02; A47J 19/023; A47J 43/04; A47J
43/25; A47J 43/27; A47J 43/042; A47J
43/044; A47J 43/046; A47J 43/075; A47J
43/0722; A47J 43/0727; B01F 3/00; B01F
3/0807; B01F 3/0853; B01F 13/0059;
B01F

(Continued)

(56) **References Cited**

U.S. PATENT DOCUMENTS

D252,932 S * 9/1979 Felder D16/225
D295,012 S 4/1988 Gelber

(Continued)

OTHER PUBLICATIONS

WantJoin Professional Commercial Blender With Shield Quiet
Sound Enclosure. Date First Available on Amazon.com Jan. 14,
2020. <https://www.amazon.com/dp/B07YDNCL3D/ref> (Year: 2020).*

Primary Examiner — Ricky Pham

(74) *Attorney, Agent, or Firm* — Price Heneveld LLP

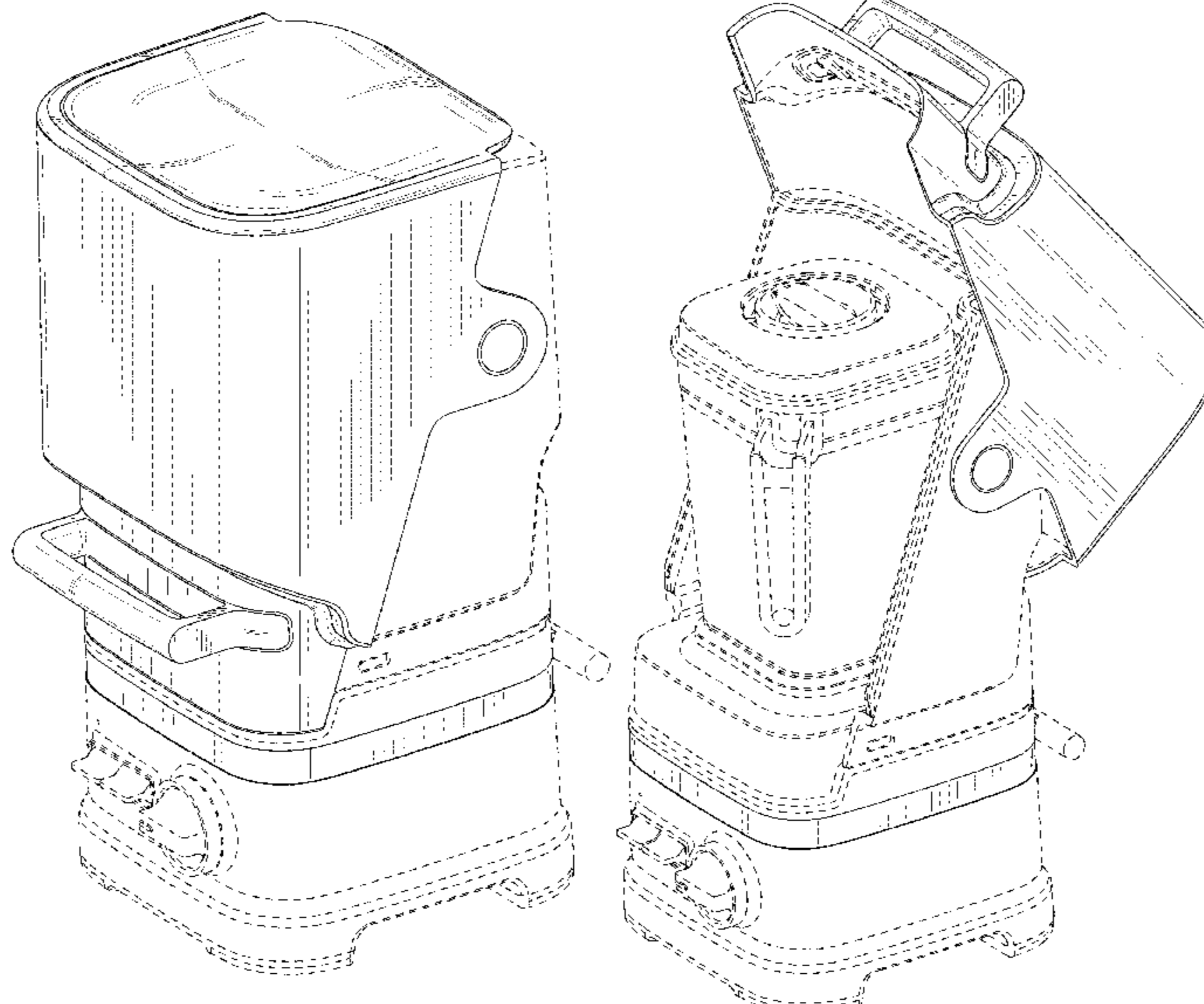
(57) **CLAIM**

We claim the ornamental design for an enclosure for a
blender assembly, as shown and described.

DESCRIPTION

FIG. 1 is a front perspective view of an enclosure for a
blender assembly of the present disclosure;
FIG. 2 is a rear perspective view of the enclosure for a
blender assembly of FIG. 1;
FIG. 3 is a front elevational view of the enclosure for a
blender assembly of FIG. 1;
FIG. 4 is a rear elevational view of the enclosure for a
blender assembly of FIG. 1;
FIG. 5 is a first side elevational view of the enclosure for a
blender assembly of FIG. 1;
FIG. 6 is a second side elevational view of the enclosure for
a blender assembly of FIG. 1;
FIG. 7 is a top plan view of the enclosure for a blender
assembly of FIG. 1;
FIG. 8 is a bottom plan view of the enclosure for a blender
assembly of FIG. 1; and,
FIG. 9 is a front top perspective view of an enclosure for a
blender assembly, where the enclosure portion has been
moved to a raised position.
The broken lines depict portions of the article that form no
part of the claimed design.

1 Claim, 9 Drawing Sheets



Related U.S. Application Data

a continuation of application No. 29/752,905, filed on Sep. 29, 2020, now Pat. No. Des. 922,144, which is a continuation of application No. 29/733,200, filed on Apr. 30, 2020, now Pat. No. Des. 901,247, which is a continuation of application No. 29/660,744, filed on Aug. 22, 2018, now Pat. No. Des. 883,021.

(58) **Field of Classification Search**

CPC 13/0064; B02C 1/08; B02C 2/04; B02C 4/42; B02C 4/142; B02C 4/143; B02C 4/423; B02C 13/1835; B28C 5/10; B28C 5/12; B28C 5/14; B28C 5/16

See application file for complete search history.

(56) **References Cited**

U.S. PATENT DOCUMENTS

5,533,797	A	7/1996	Gelber
D400,048	S	10/1998	Ollson
5,957,577	A	9/1999	Dickson et al.
6,019,238	A	2/2000	Kindig et al.
D427,016	S	6/2000	Kindig et al.
D428,564	S	7/2000	Kao
D432,864	S	10/2000	Kindig et al.
D466,761	S	12/2002	Baerenrodt et al.
D471,059	S	3/2003	Chuang
6,612,732	B2	9/2003	Blakeman, II et al.
D526,845	S	8/2006	Katz et al.
D528,364	S	9/2006	Kolar et al.
D557,976	S	12/2007	Olson et al.
7,520,663	B1	4/2009	Kolar et al.
D592,903	S	5/2009	Olson et al.
D594,697	S	6/2009	Lavy
D595,087	S	6/2009	Metaxatos et al.

D637,862	S	5/2011	Fouquet
8,287,180	B2	10/2012	Kolar et al.
D722,108	S	* 2/2015	Reches D18/50
D734,788	S	7/2015	Reches et al.
D766,998	S	9/2016	Koa et al.
D770,225	S	11/2016	McConnell et al.
D783,693	S	4/2017	Reches et al.
D786,613	S	5/2017	McConnell et al.
D787,882	S	5/2017	McConnell et al.
D835,162	S	12/2018	Reches et al.
D838,538	S	1/2019	Carlson
D842,025	S	3/2019	Hauser
D854,591	S	7/2019	Gupta et al.
10,383,481	B2	8/2019	Kim
D858,195	S	9/2019	Lee
D883,021	S	5/2020	McConnell et al.
D885,117	S	* 5/2020	Kim D7/378
D890,821	S	* 7/2020	Toms D7/376
D892,182	S	8/2020	Ouyang et al.
D900,172	S	10/2020	Wu et al.
D901,247	S	11/2020	McConnell et al.
D905,493	S	12/2020	Ye
D906,381	S	12/2020	Jeffery et al.
D922,144	S	6/2021	McConnell et al.
D934,926	S	* 11/2021	Hong D15/122
D937,039	S	* 11/2021	McConnell D7/378
D945,825	S	* 3/2022	Beckstrom D7/378
11,272,811	B2	* 3/2022	Kim A47J 43/0727
2003/0034200	A1	2/2003	Bohannon et al.
2005/0152215	A1	7/2005	Stuart et al.
2010/0014380	A1	1/2010	Kolar et al.
2010/0038462	A1	2/2010	Kolar et al.
2014/0217211	A1	8/2014	Sanford
2017/0224169	A1	8/2017	Kolar
2018/0310769	A1	11/2018	Kim
2018/0326378	A1	11/2018	Moon

* cited by examiner

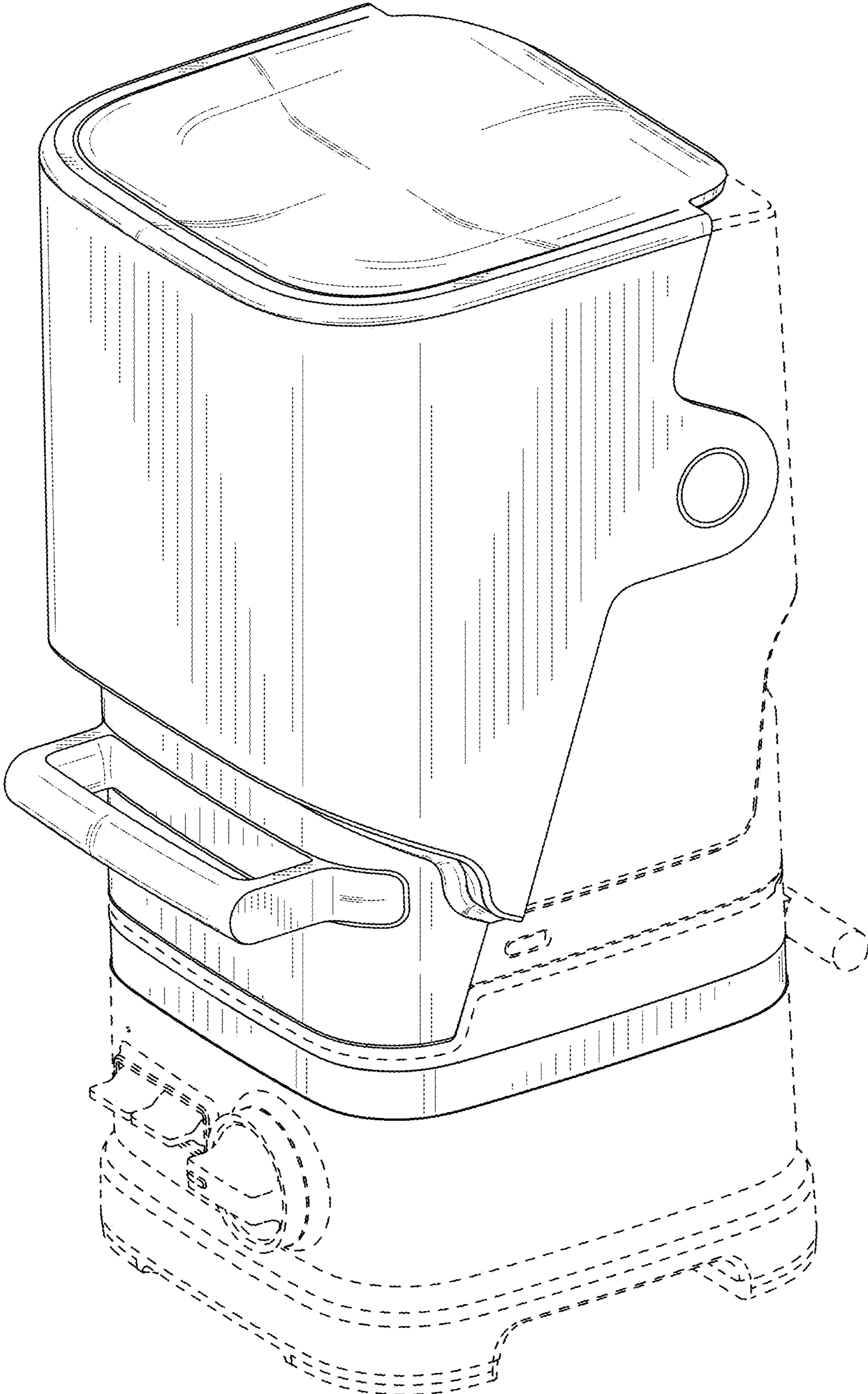


FIG. 1

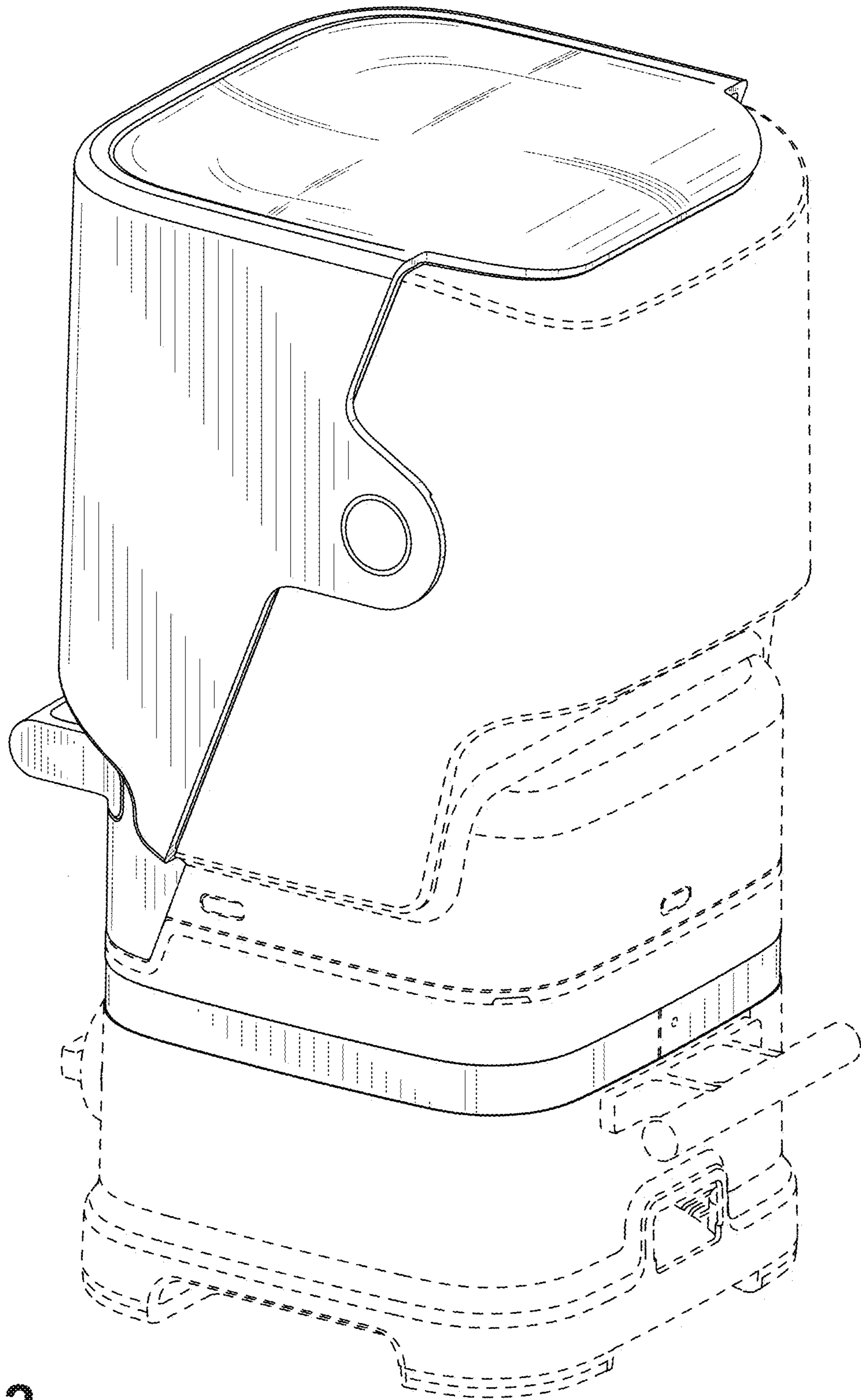


FIG. 2

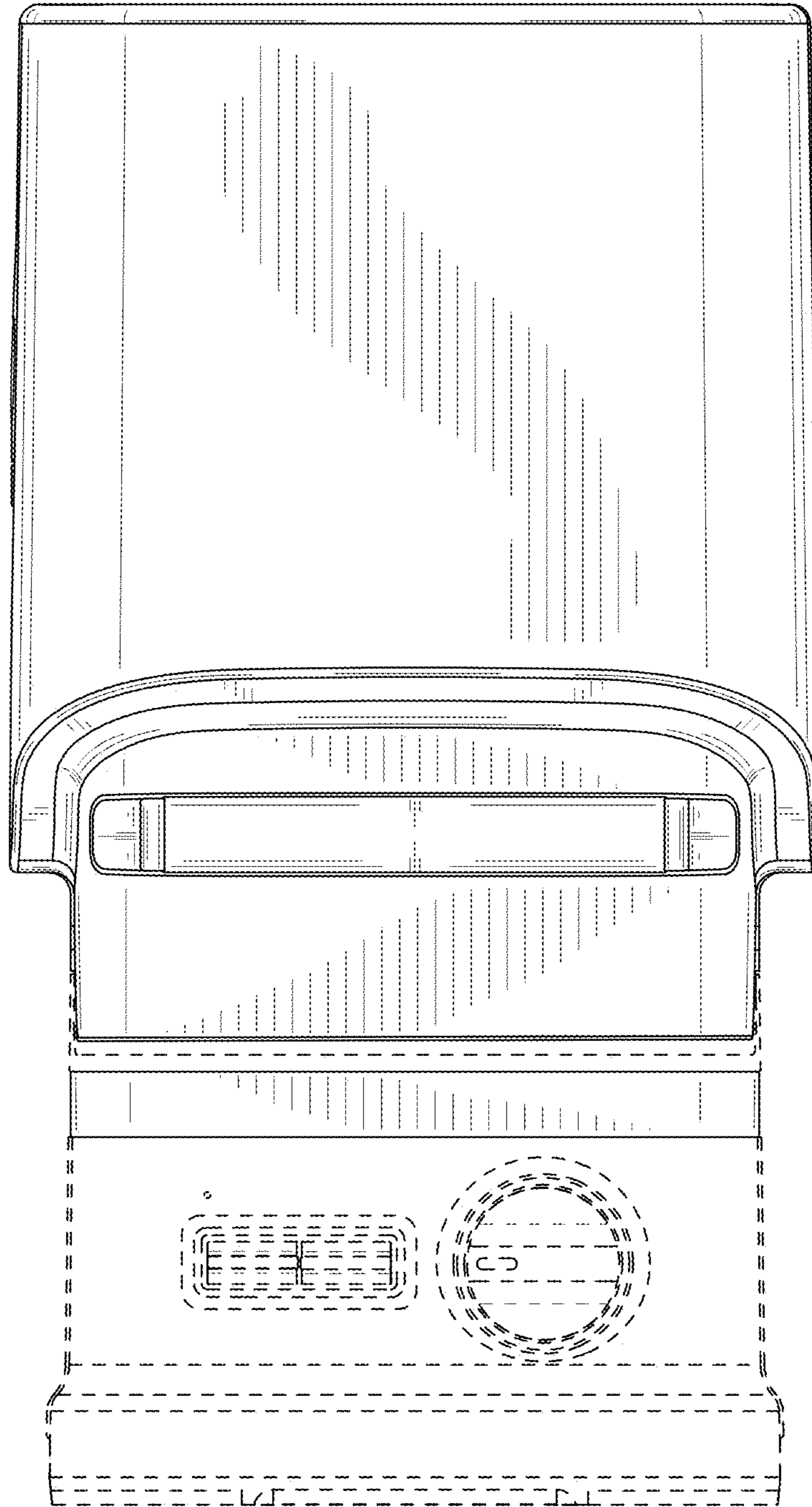


FIG. 3

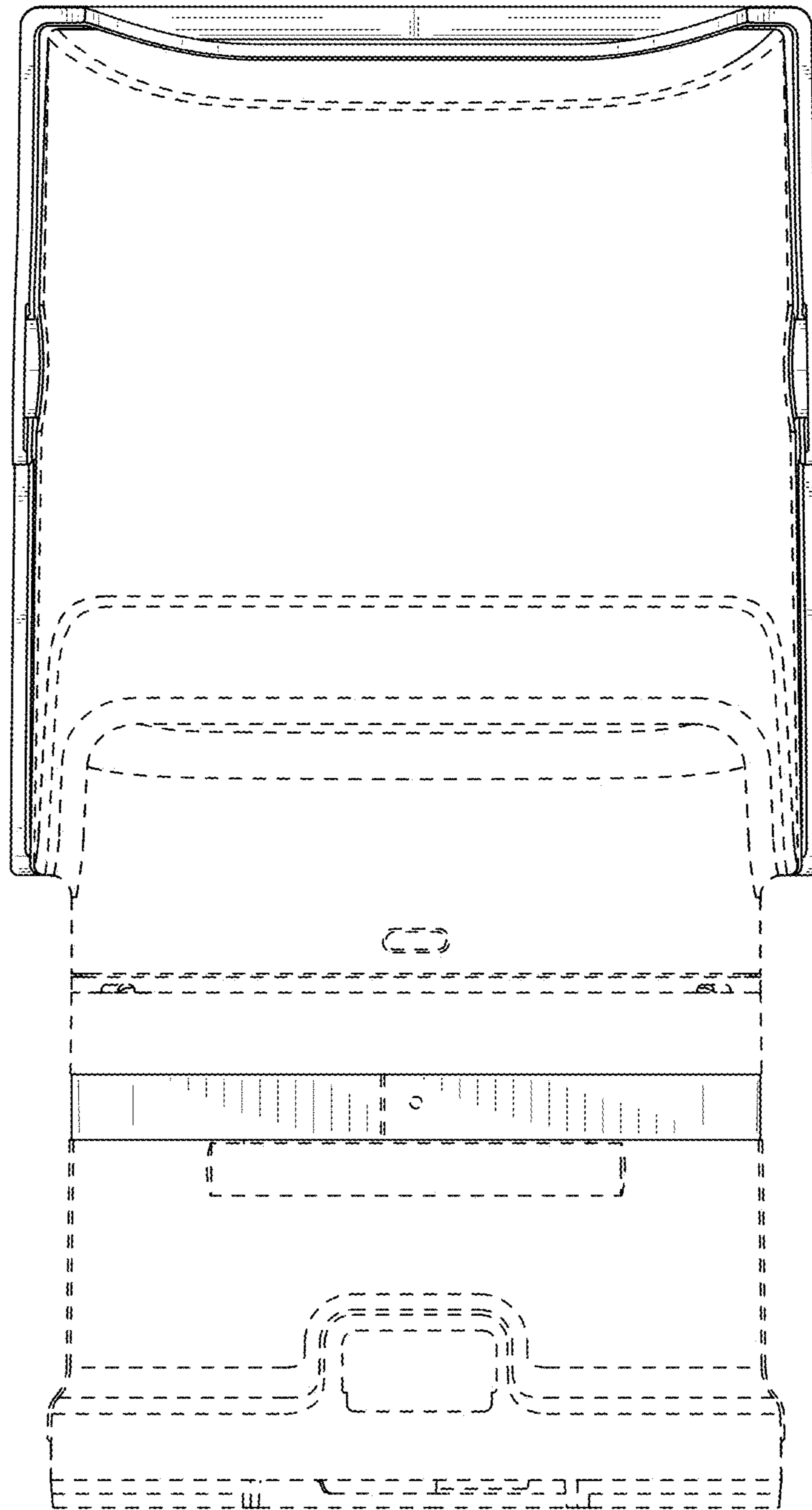


FIG. 4

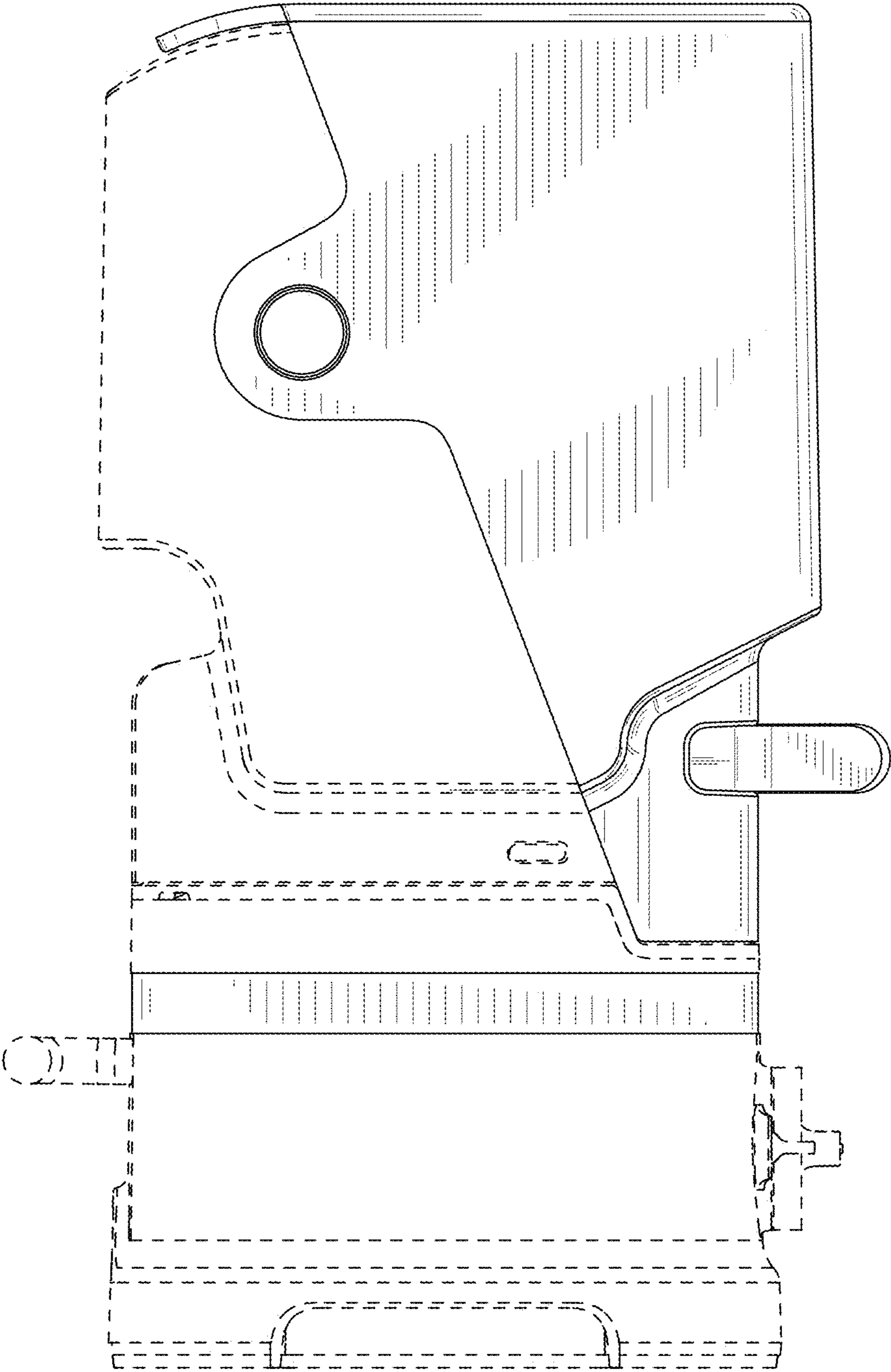


FIG. 5

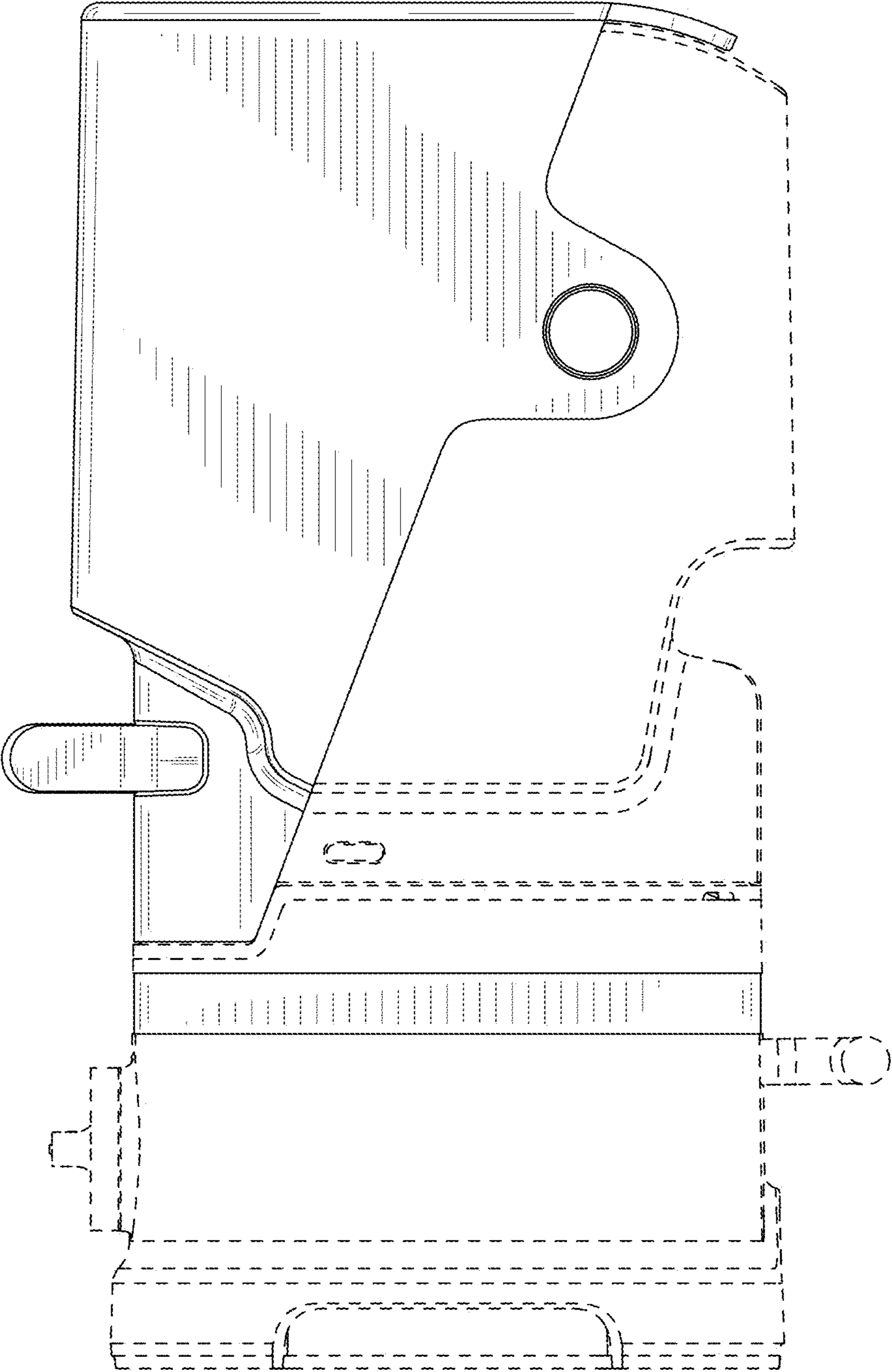


FIG. 6

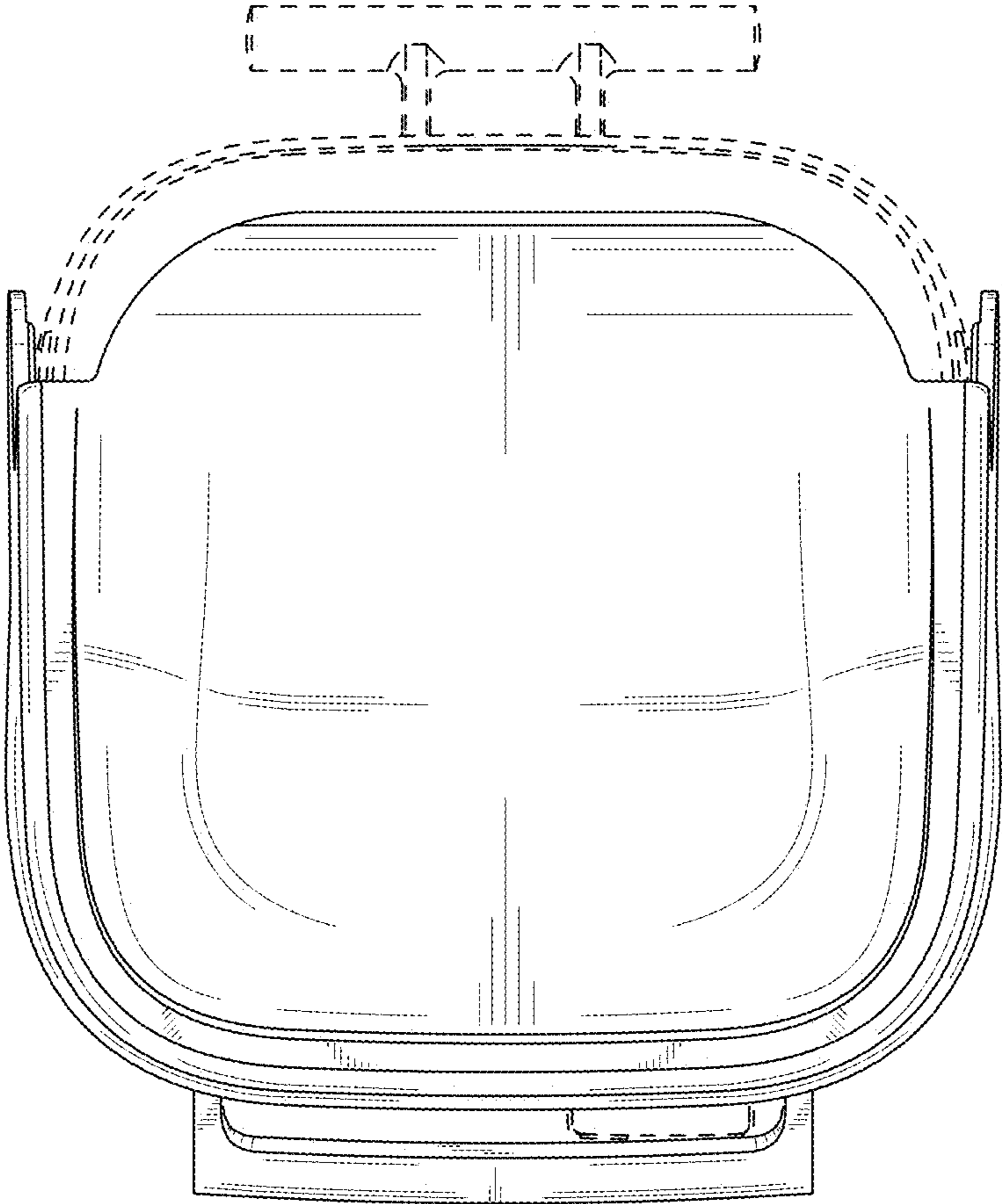


FIG. 7

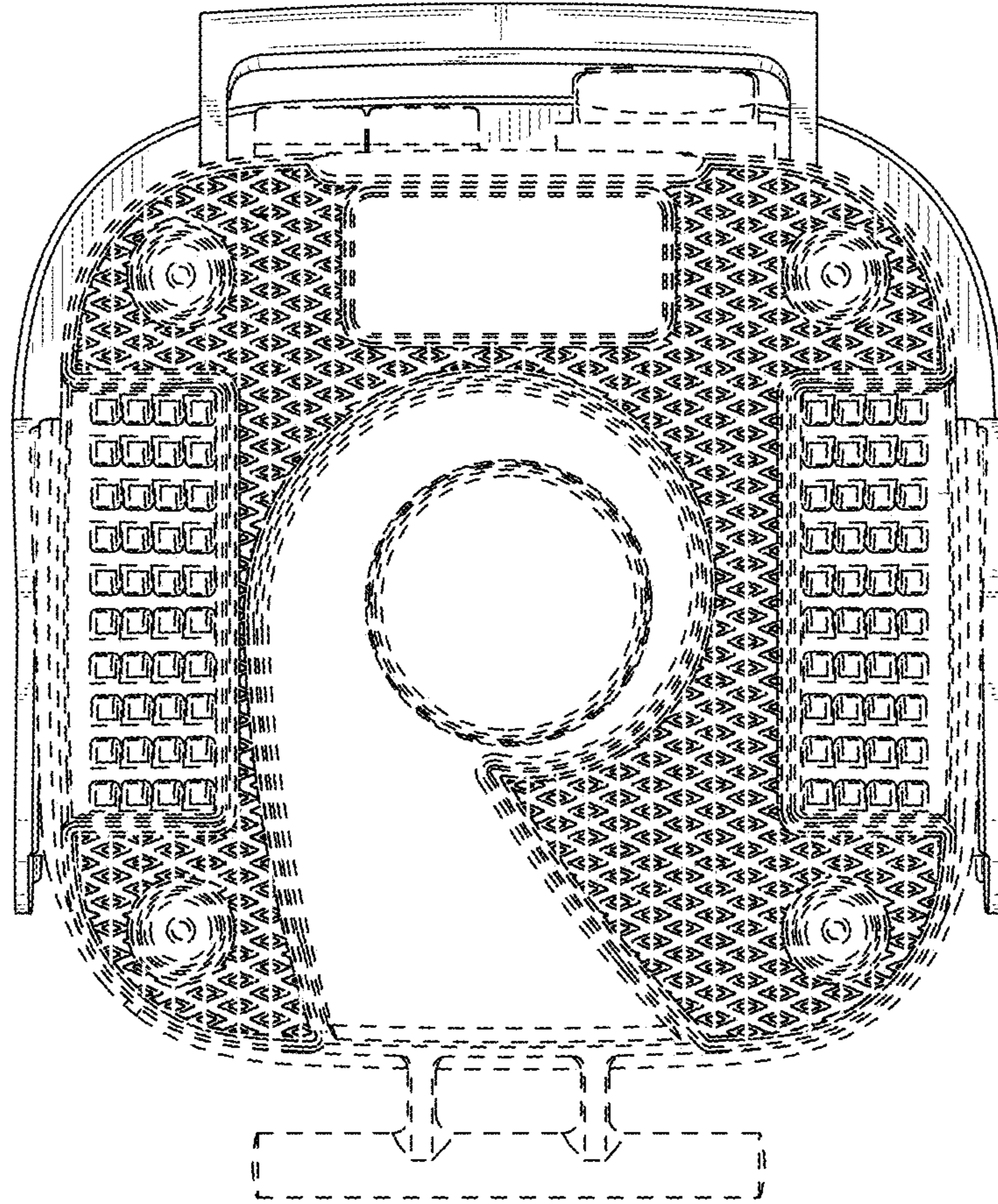


FIG. 8

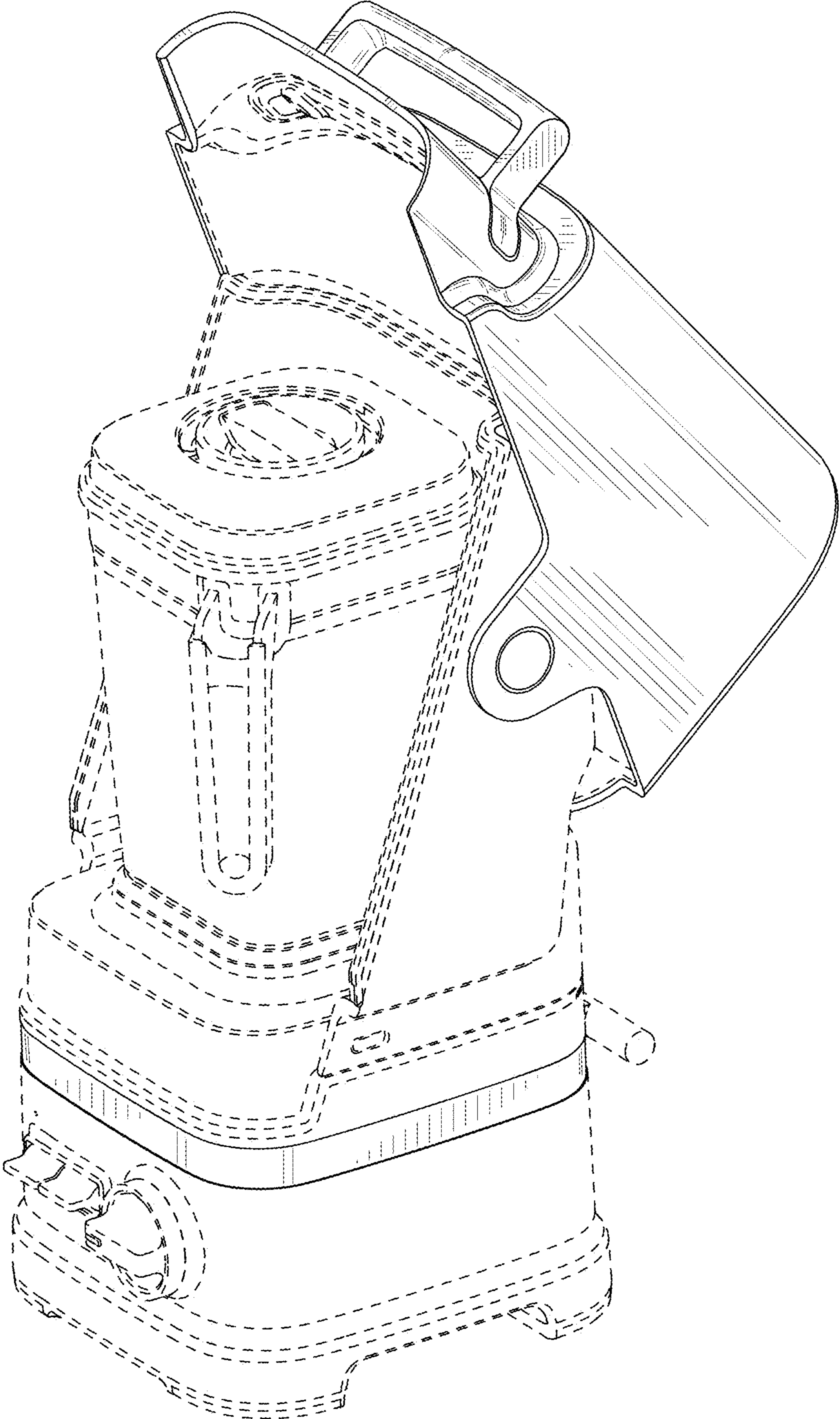


FIG. 9