



US00D959907S

(12) **United States Design Patent**
Buschman et al.

(10) **Patent No.:** **US D959,907 S**

(45) **Date of Patent:** **** Aug. 9, 2022**

(54) **TWO-SIDED GRIDDLE AND GRILL**

(71) Applicant: **WHIRLPOOL CORPORATION**,
Benton Harbor, MI (US)

(72) Inventors: **Jessica Buschman**, St. Joseph, MI
(US); **Tushar A. Kalbande**, Pune (IN);
Michael C. Lah, Benton Harbor, MI
(US); **John R. McNally**, Northbrook,
IL (US); **Binesh R. Pillai**, Mumbai
(IN); **Ryan J. Rutter**, St. Joseph, MI
(US); **Timothy P. VanAntwerp**, St.
Joseph, MI (US)

(73) Assignee: **Whirlpool Corporation**, Benton
Harbor, MI (US)

(**) Term: **15 Years**

(21) Appl. No.: **29/740,796**

(22) Filed: **Jul. 7, 2020**

(51) **LOC (13) Cl.** **07-02**

(52) **U.S. Cl.**
USPC **D7/409**; D7/354

(58) **Field of Classification Search**
USPC D7/323, 354–363, 409, 543, 545, 549,
D7/550.1, 553.1–553.8, 554.1–554.4, 555,
D7/584, 586; D9/430–433, 455–456,
D9/737, 756–762
CPC A21B 3/00; A21B 3/13; A21B 3/15; A21B
3/134; A21B 5/00; A21B 5/02; A47J
36/022; A47J 36/025; A47J 36/027; A47J
37/00; A47J 37/04; A47J 45/10; B65D
1/22; B65D 1/24; B65D 1/34; B65D
1/36; B65D 81/343; B65D 85/36
See application file for complete search history.

(56) **References Cited**

U.S. PATENT DOCUMENTS

3,112,948 A * 12/1963 Burns A47J 45/10
294/27.1
D251,106 S 2/1979 Petursson

D282,139 S 1/1986 Radford
D293,069 S 12/1987 Cerola
D293,070 S 12/1987 Cerola
D303,605 S 9/1989 Davis et al.
D343,989 S 2/1994 Falk
D346,306 S 4/1994 Falk
D361,015 S 8/1995 Doty et al.
D364,535 S 11/1995 Moore
D369,062 S 4/1996 Holbrook, Jr.
D378,885 S 4/1997 Sparks
D383,355 S 9/1997 Uter

(Continued)

Primary Examiner — Ricky Pham

(74) *Attorney, Agent, or Firm* — Price Heneveld LLP

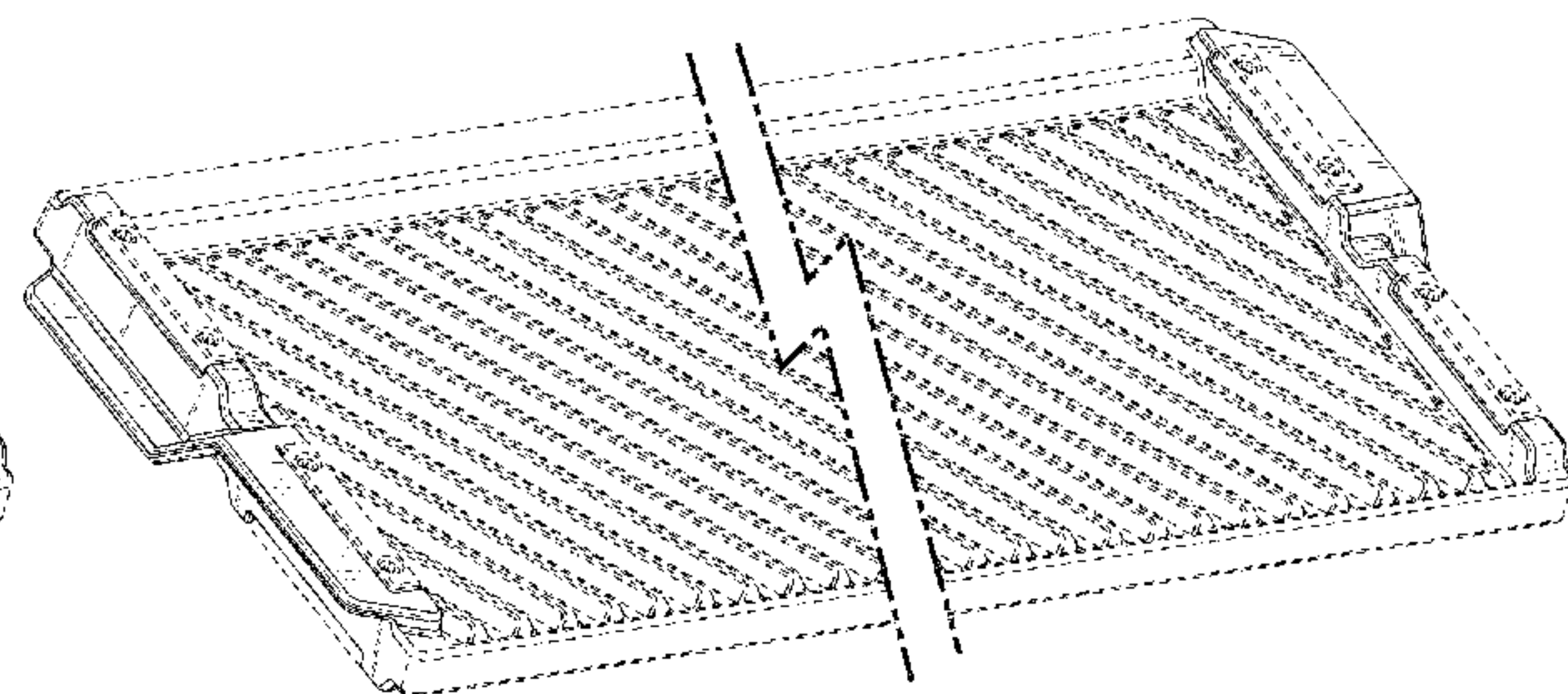
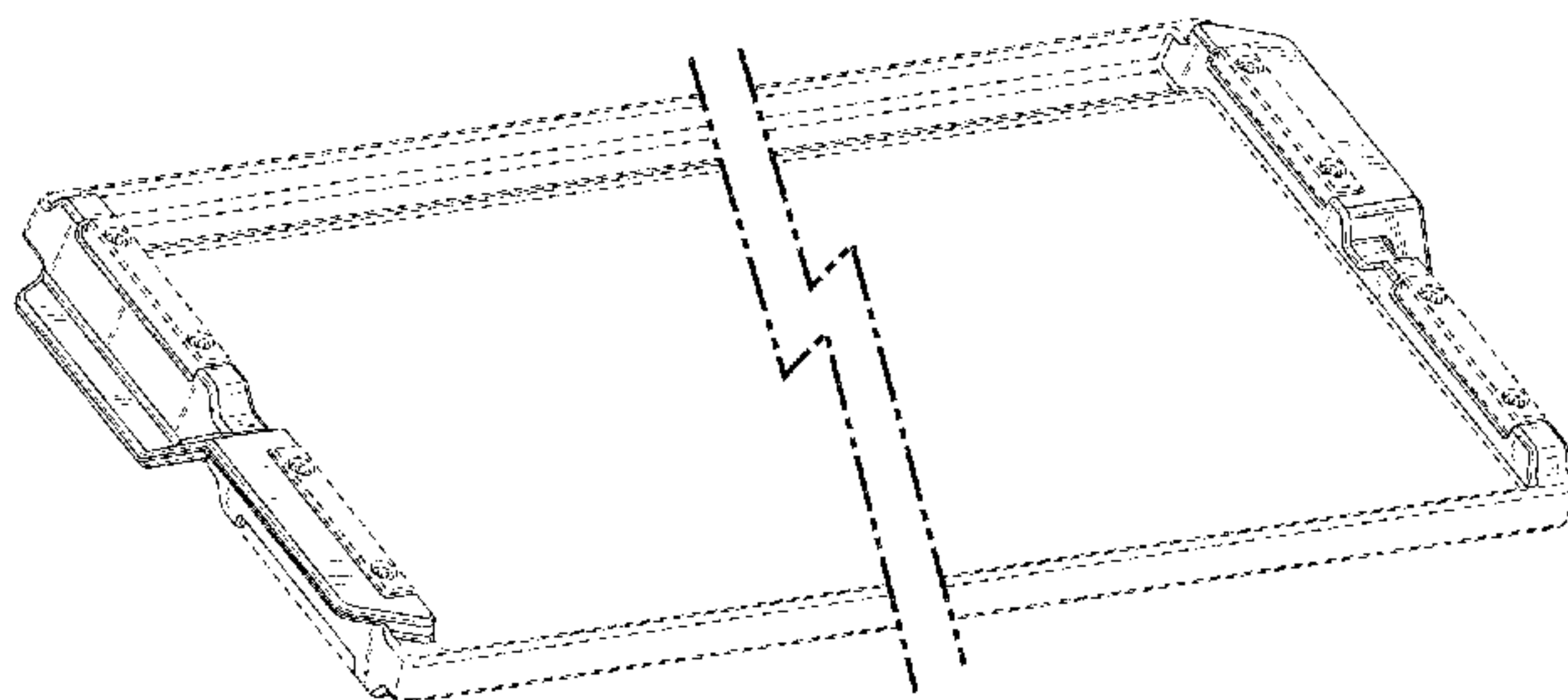
(57) **CLAIM**

We claim the ornamental design for a two-sided griddle and grill, as shown and described.

DESCRIPTION

FIG. 1 is a top perspective view of a two-sided griddle and grill of the present disclosure;
FIG. 2 is a bottom perspective view of the two-sided griddle and grill of FIG. 1;
FIG. 3 is a top plan view of the two-sided griddle and grill of FIG. 1;
FIG. 4 is a bottom plan view of the two-sided griddle and grill of FIG. 1;
FIG. 5 is a front elevational view of the two-sided griddle and grill of FIG. 1;
FIG. 6 is a rear side elevational view of the two-sided griddle and grill of FIG. 1;
FIG. 7 is a first side elevational view of the two-sided griddle and grill of FIG. 1; and,
FIG. 8 is a second side elevational view of the two-sided griddle and grill of FIG. 1.
The broken lines depict portions of the article that form no part of the claimed design.

1 Claim, 6 Drawing Sheets



(56)

References Cited

U.S. PATENT DOCUMENTS

D393,567 S	4/1998	Ashcraft et al.	
D393,774 S	4/1998	Ashcraft et al.	
D401,112 S	11/1998	Miller	
D427,009 S *	6/2000	Iyengar	D7/354
D427,487 S	7/2000	Holbrook	
D538,584 S *	3/2007	Scholze	D7/359
D651,464 S	1/2012	Funnell et al.	
D709,727 S *	7/2014	Cloutier	D7/363
D731,230 S *	6/2015	Librus	D7/354
D734,987 S *	7/2015	Coats	D7/409
D784,077 S *	4/2017	Zemel	D7/409
9,810,436 B2	11/2017	Mayberry et al.	
D825,979 S *	8/2018	Levy	D7/359
D829,483 S	10/2018	Lah	
10,238,235 B2	3/2019	Altenritter et al.	
D883,019 S *	5/2020	Hollinger	D7/362
10,638,879 B2	5/2020	Bruin-Slot	
D916,563 S *	4/2021	Dorion	D7/409
2018/0168392 A1	6/2018	Thunga	

* cited by examiner

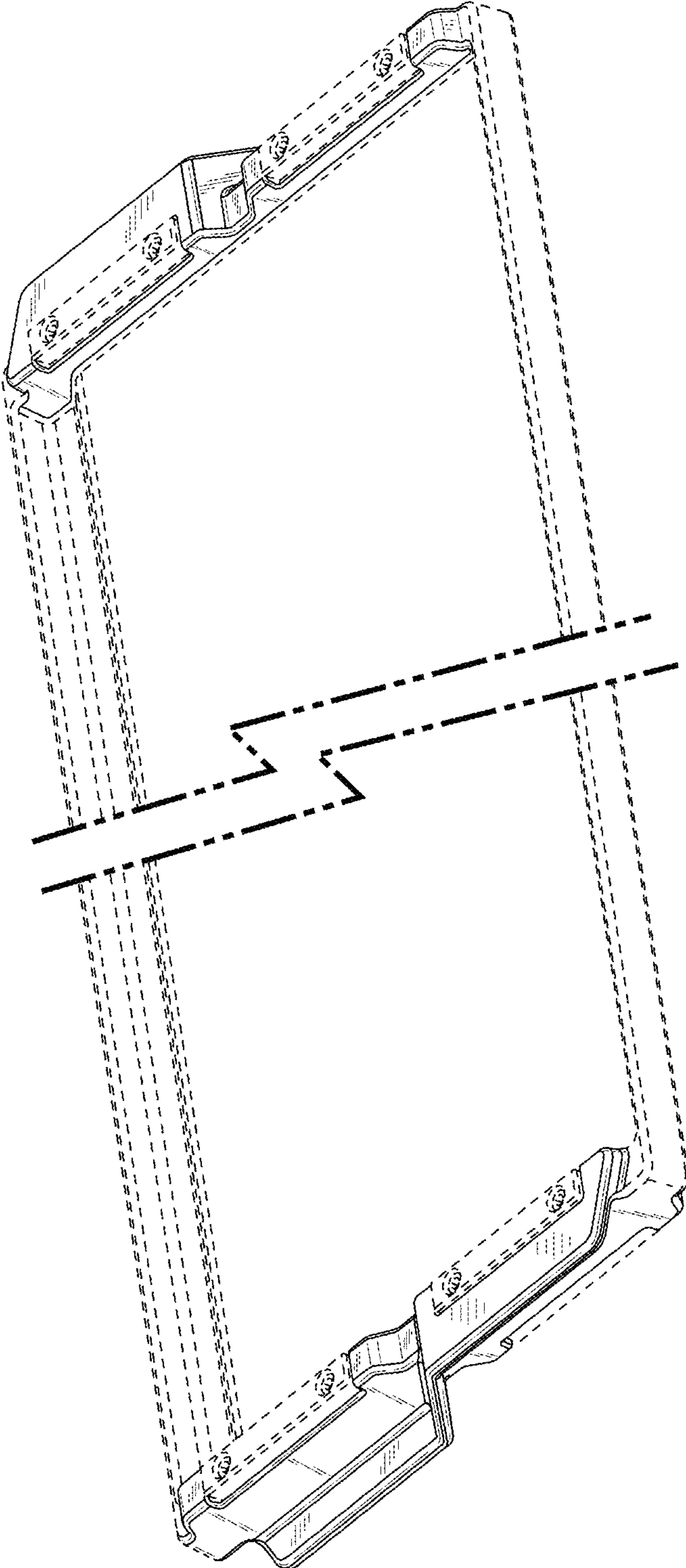


FIG. 1

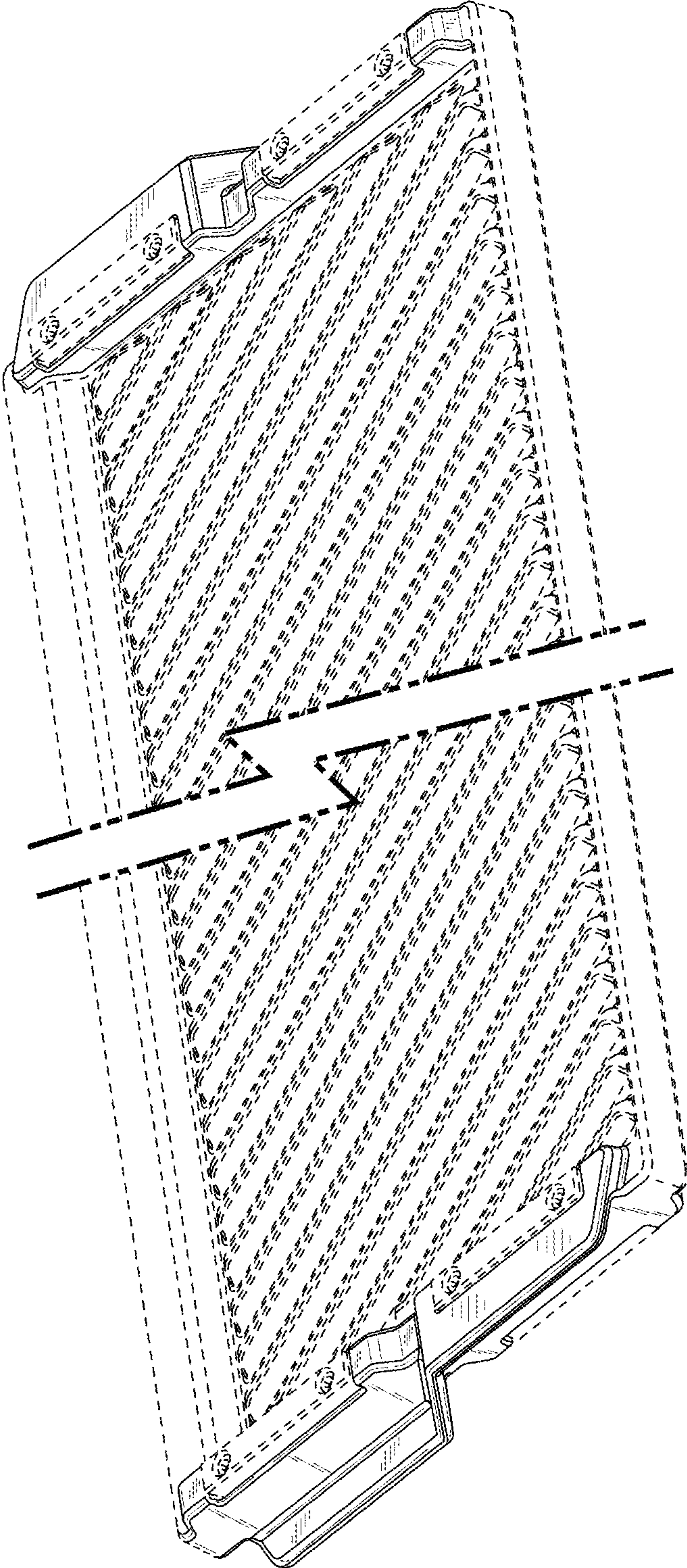


FIG. 2

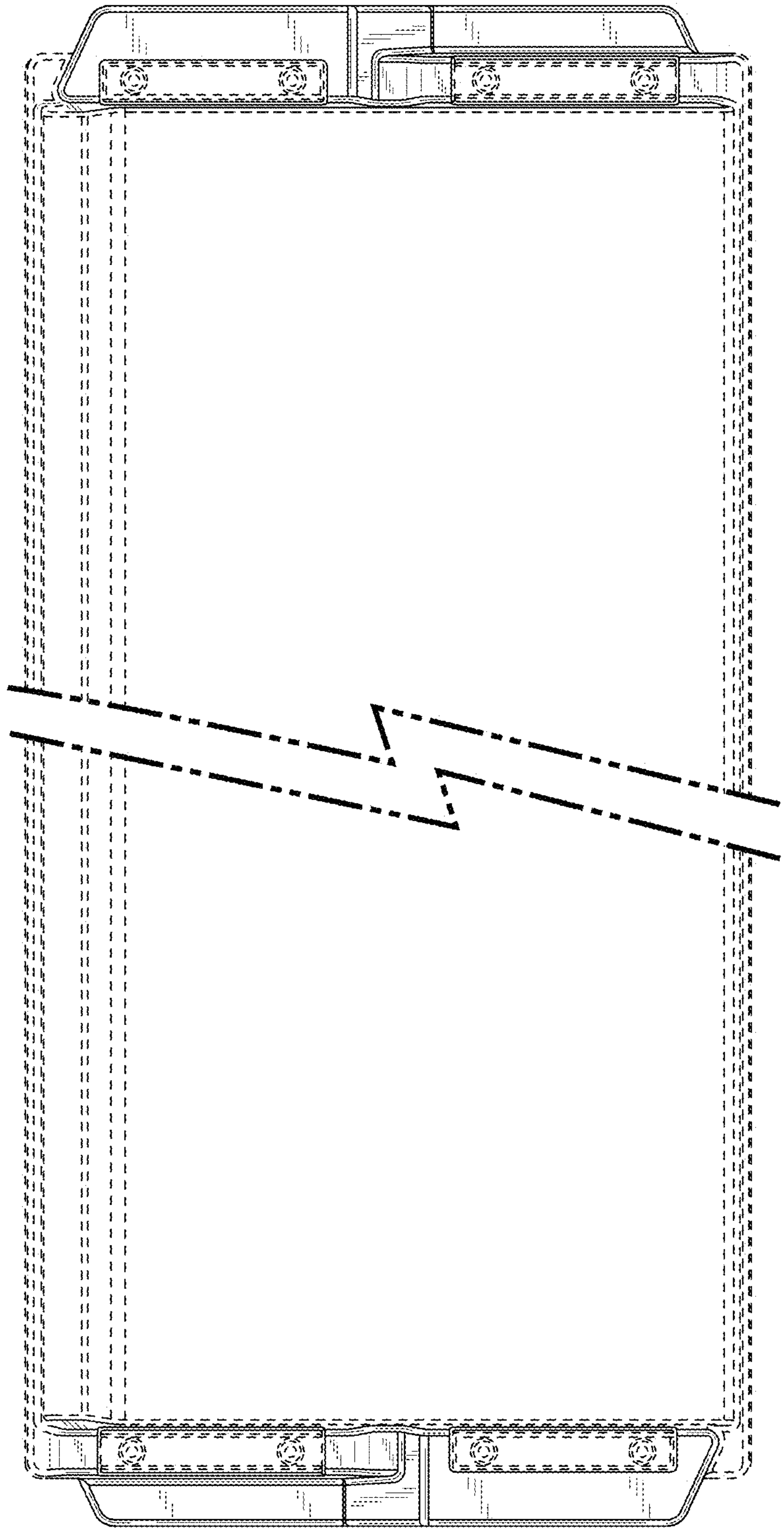


FIG. 3

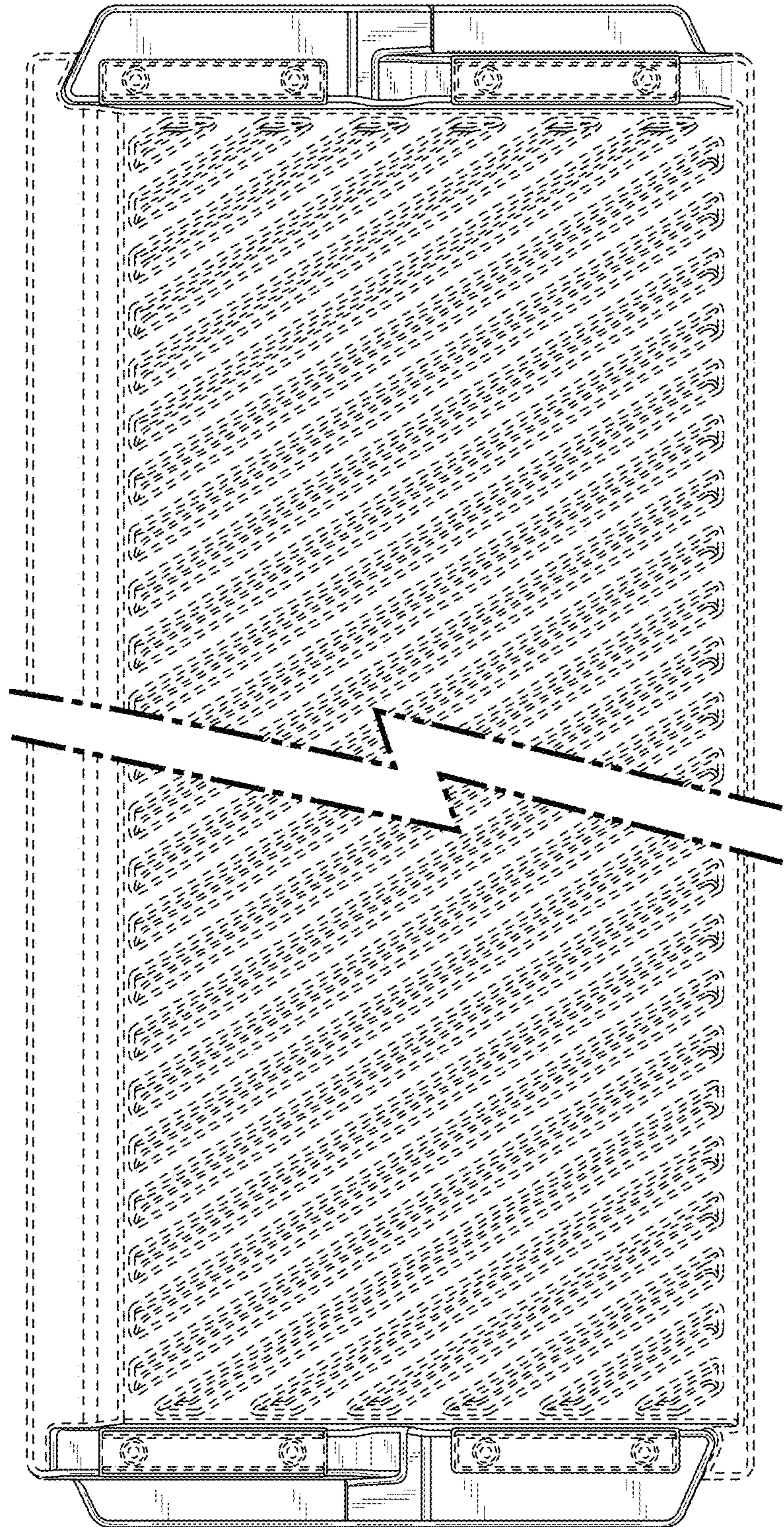


FIG. 4



FIG. 5

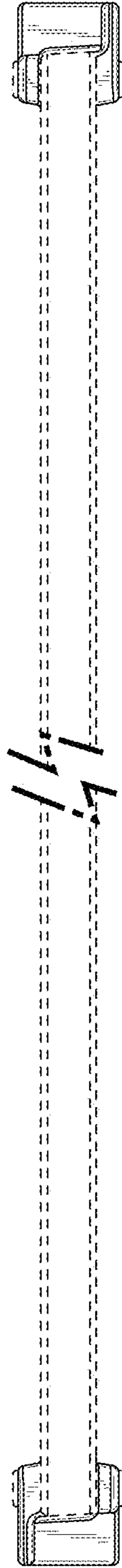


FIG. 6

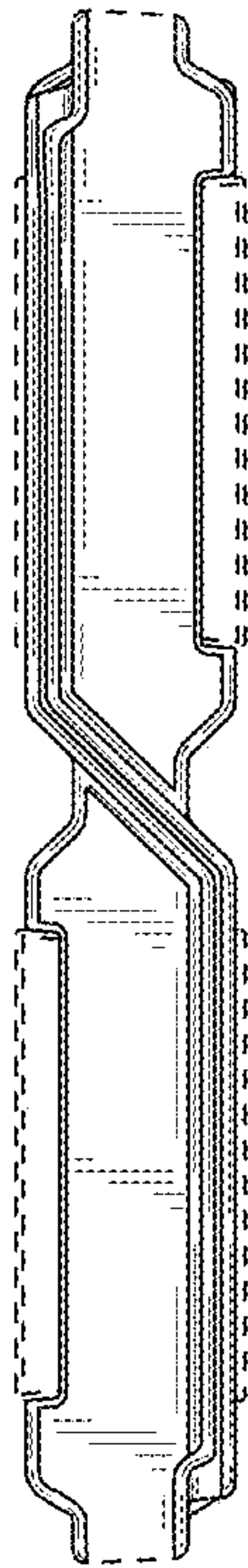


FIG. 7

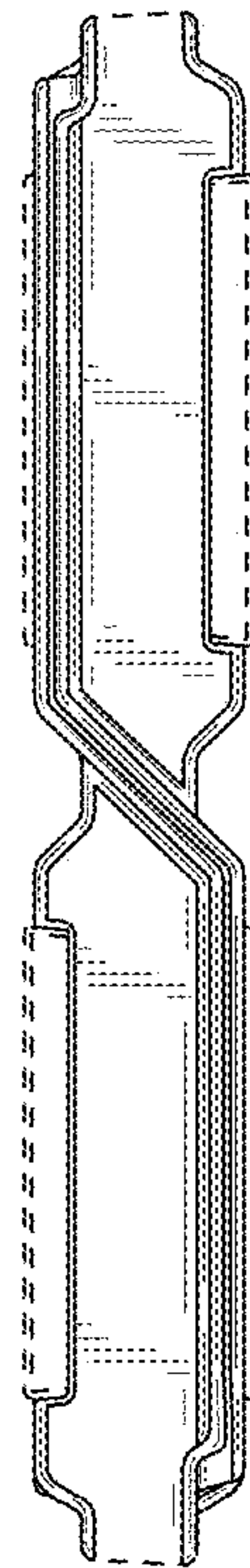


FIG. 8