

US00D959906S

(12) **United States Design Patent**
Running et al.

(10) **Patent No.:** **US D959,906 S**

(45) **Date of Patent:** **** Aug. 9, 2022**

(54) **COOKWARE LINER**

(71) Applicant: **MAZMO, LLC**, Mansfield, OH (US)

(72) Inventors: **Madison Running**, Mansfield, OH (US); **Brian Running**, Mansfield, OH (US)

(73) Assignee: **MAZMO, LLC**, Mansfield, OH (US)

(**) Term: **15 Years**

(21) Appl. No.: **29/760,861**

(22) Filed: **Dec. 4, 2020**

(51) **LOC (13) Cl.** **07-02**

(52) **U.S. Cl.**
USPC **D7/407**

(58) **Field of Classification Search**
USPC D7/402-411, 331-341, 346-349,
D7/352-353, 362-367, 357, 359, 368,
D7/388, 389; D23/269
CPC A47J 37/07; A47J 37/0704; A47J 37/0763;
A21D 13/47; A21B 3/131; F24C 3/082;
F24C 3/085
See application file for complete search history.

(56) **References Cited**

U.S. PATENT DOCUMENTS

D169,421 S	*	4/1953	Carr	D7/402
D351,459 S	*	10/1994	Andersson	D23/269
D374,710 S	*	10/1996	Gustafsson	D23/269
D432,356 S	*	10/2000	Hoff	D7/402
D486,356 S	*	2/2004	Hoff	D7/409
D514,671 S	*	2/2006	Jones	D23/269
D542,091 S	*	5/2007	Hoff	D7/409

D557,771 S	*	12/2007	Darce	D23/269
D652,675 S	*	1/2012	Miller	D7/402
D816,401 S	*	5/2018	Chung	D7/402
D851,451 S	*	6/2019	Brennan	D7/407
D870,511 S	*	12/2019	Yamada	D7/402
D910,373 S	*	2/2021	Carrette	D7/408

* cited by examiner

Primary Examiner — Sheryl Lane

Assistant Examiner — Nicole C Shiflet

(74) *Attorney, Agent, or Firm* — Jacob M. Ward; Ward Law Office LLC

(57) **CLAIM**

The ornamental design for a cookware liner, as shown and described.

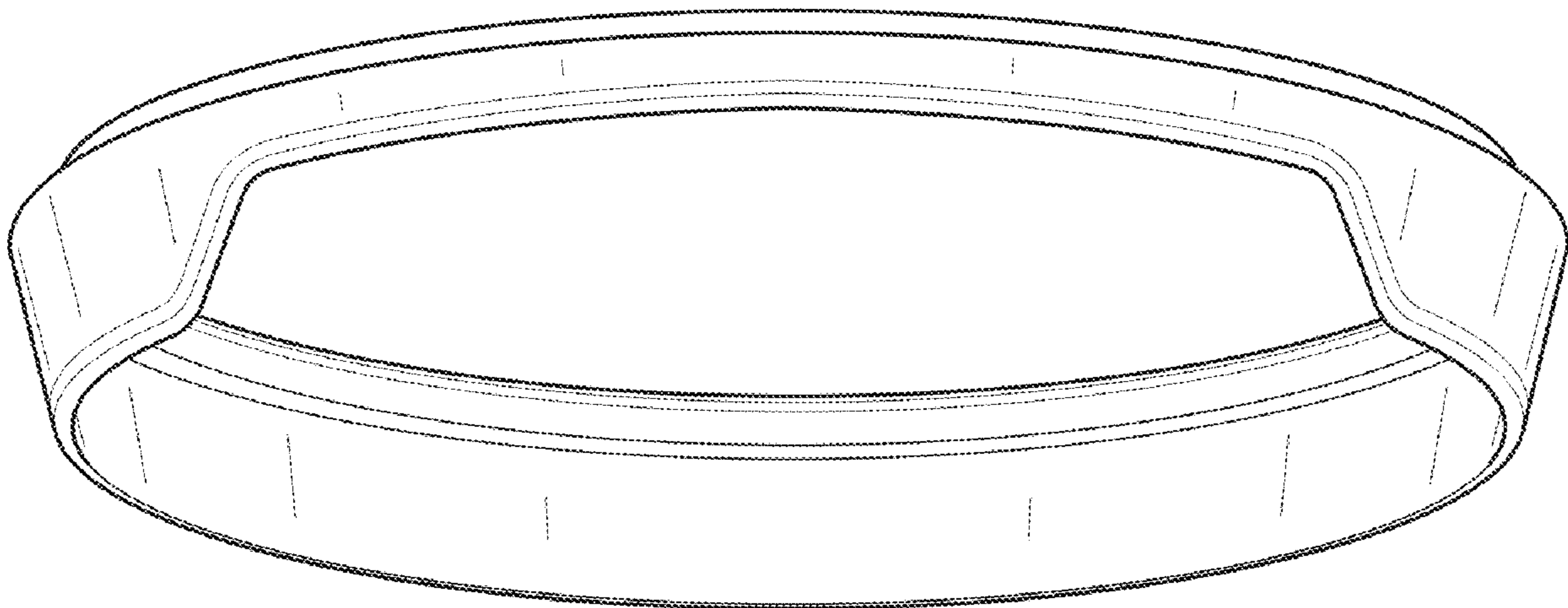
DESCRIPTION

FIG. 1 is a bottom perspective view of a cookware liner; FIG. 2 is a rear perspective view of the cookware liner shown in FIG. 1; FIG. 3 is a front elevational view thereof; FIG. 4 is a top plan view thereof; FIG. 5 is a rear elevational view thereof; FIG. 6 is a right side elevational view thereof; and, FIG. 7 is a bottom plan view thereof.

A left side elevational view is not shown because it is the mirror image of the right side elevational view shown in FIG. 6.

The ornamental design which is claimed is shown in solid lines in the drawings.

1 Claim, 3 Drawing Sheets



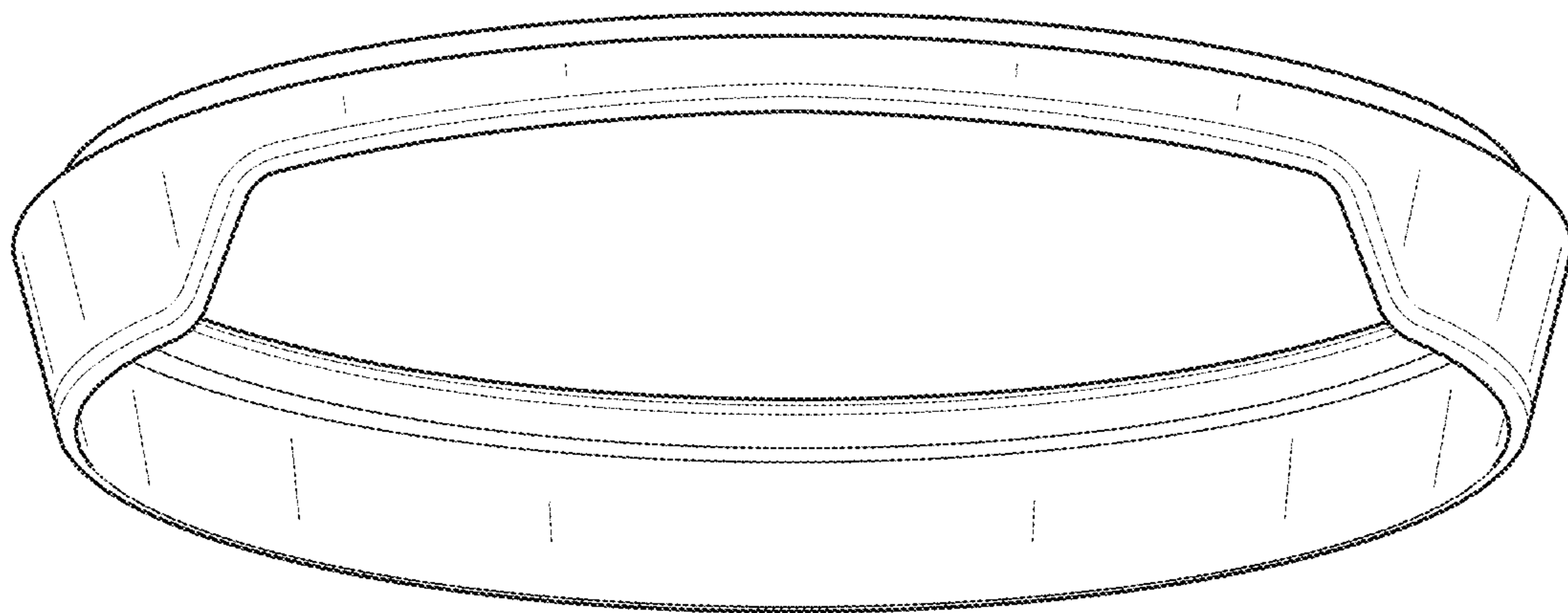


FIG. 1

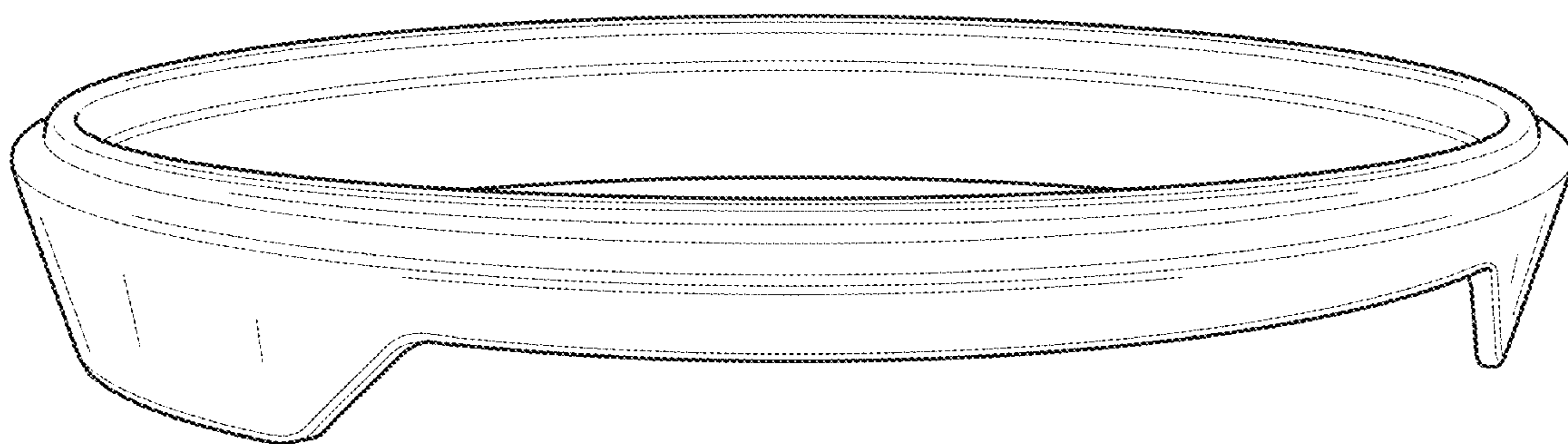


FIG. 2

FIG. 3



FIG. 4

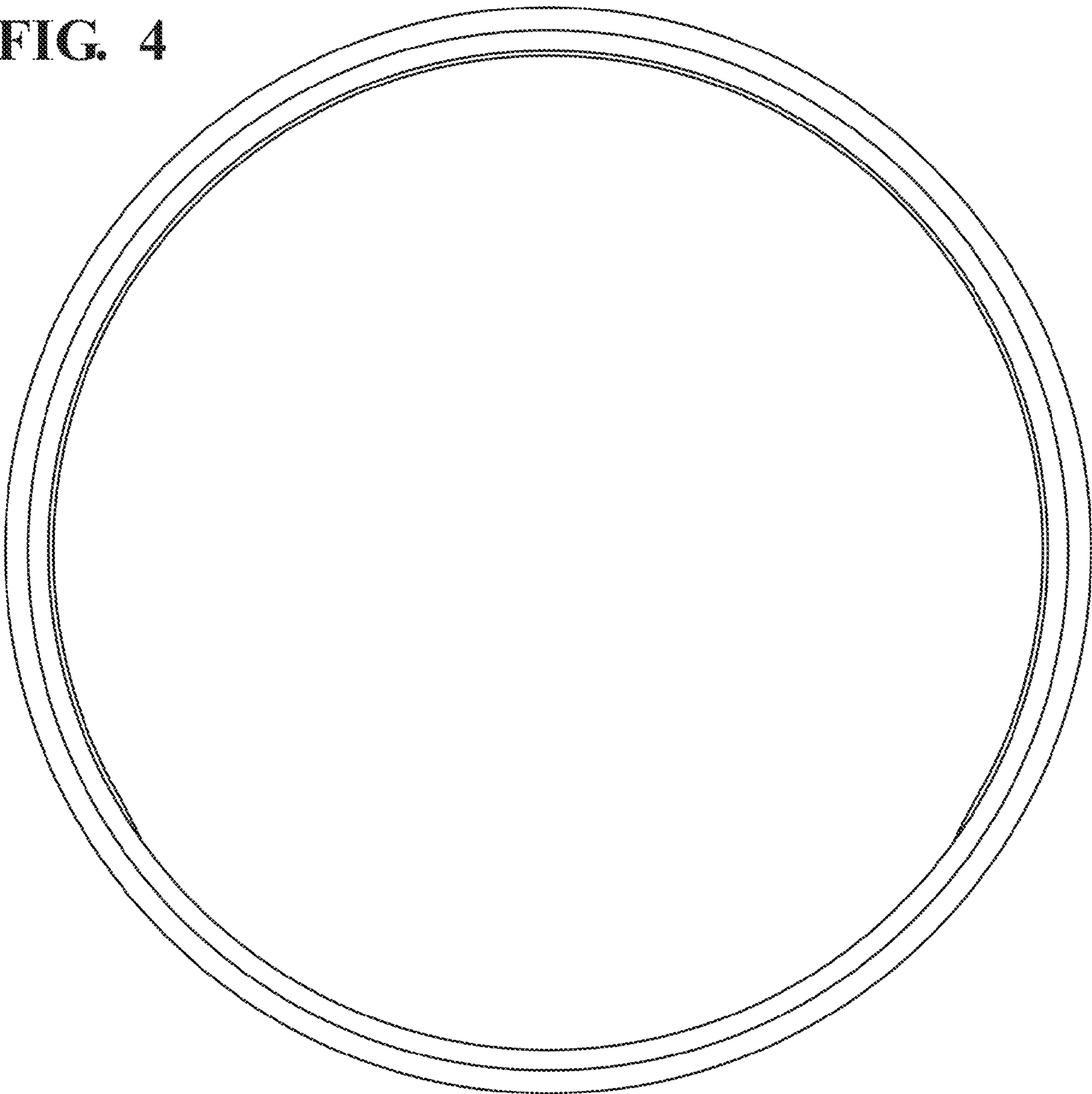


FIG. 5

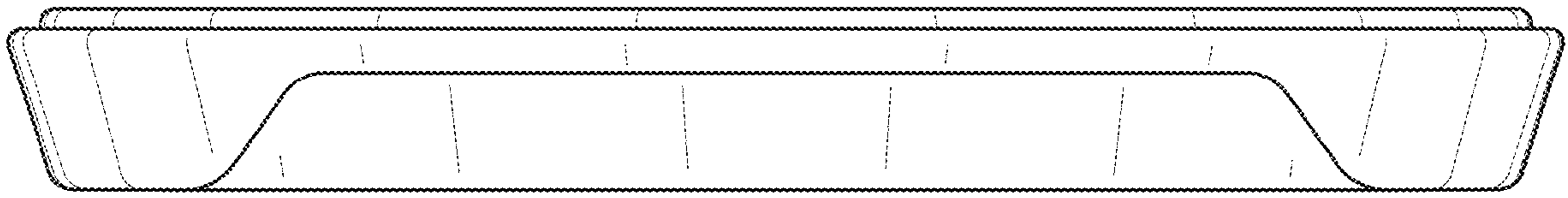


FIG. 6

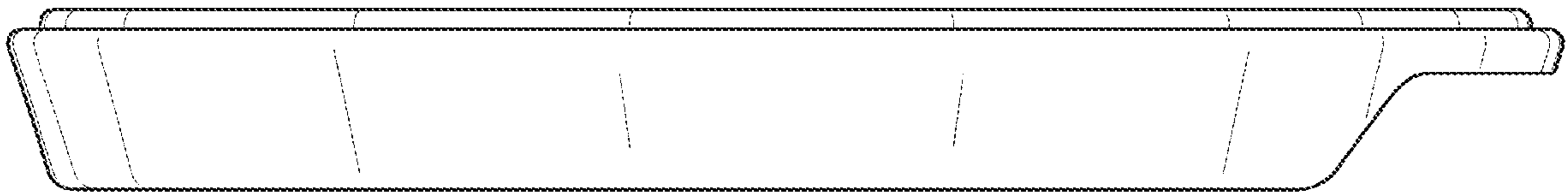


FIG. 7

