



US00D959905S

(12) **United States Design Patent** (10) **Patent No.:** **US D959,905 S**  
**Bennion et al.** (45) **Date of Patent:** **\*\* Aug. 9, 2022**

(54) **TABLE UNIT FOR COOKING APPARATUS**  
(71) Applicant: **Weber-Stephen Products LLC**,  
Palatine, IL (US)  
(72) Inventors: **Derek Bennion**, Chicago, IL (US);  
**Shannon Ella Cerny**, Elgin, IL (US);  
**William Alexander Mecker**, Chicago,  
IL (US); **Romualdo Sonny Siazon**,  
Woodstock, IL (US); **Brian C.**  
**Donnelly**, Naperville, IL (US)  
(73) Assignee: **WEBER-STEPHEN PRODUCTS**  
**LLC**, Palatine, IL (US)  
(\*\*) Term: **15 Years**  
(21) Appl. No.: **29/724,276**  
(22) Filed: **Feb. 13, 2020**  
(51) **LOC (13) Cl.** ..... **07-02**  
(52) **U.S. Cl.**  
USPC ..... **D7/406**  
(58) **Field of Classification Search**  
USPC ..... D7/332, 334, 402, 406, 407, 409;  
D6/642, 653, 654; D23/403, 404, 409,  
D23/415, 416, 418  
CPC .... A47B 1/02; A47B 5/00; A47B 3/12; A47F  
2009/041  
See application file for complete search history.

D309,540 S \* 7/1990 Suttles ..... D6/699.5  
5,033,449 A \* 7/1991 Hanagan ..... F24C 3/14  
126/41 R  
D346,529 S \* 5/1994 Honaker ..... D7/405  
D377,126 S \* 1/1997 Foco ..... D6/664  
D385,429 S \* 10/1997 Biggel ..... A47J 37/0713  
D6/664  
D404,963 S \* 2/1999 Schlosser ..... D7/334  
D433,279 S \* 11/2000 Schlosser ..... D7/334  
6,209,533 B1 \* 4/2001 Ganard ..... A47J 37/0704  
126/25 R  
6,308,616 B1 \* 10/2001 Johnson ..... A47J 37/0786  
126/41 R  
D462,227 S \* 9/2002 Alden ..... D7/334  
D466,367 S \* 12/2002 Johnson ..... A47J 37/0709  
D7/402  
D473,095 S \* 4/2003 Nguyen ..... D7/334  
6,619,600 B1 \* 9/2003 Johnson ..... A47J 37/0704  
126/41 R  
D568,648 S \* 5/2008 Roussel ..... D6/705.1  
9,186,020 B1 \* 11/2015 Phillips ..... A47J 37/0709  
D776,481 S \* 1/2017 Moss ..... D7/406  
D820,023 S \* 6/2018 Zhou ..... D7/334  
D827,371 S \* 9/2018 Colston ..... D7/408  
D897,769 S \* 10/2020 Harrell ..... D7/402  
D914,429 S \* 3/2021 Bennion ..... D7/334  
D915,812 S \* 4/2021 Bennion ..... D7/334  
D945,208 S \* 3/2022 Duan ..... D7/334  
2017/0065124 A1 \* 3/2017 Colston ..... A47J 37/0704  
2020/0040926 A1 \* 2/2020 Colston ..... F16M 11/16  
2020/0214501 A1 \* 7/2020 Gafford ..... F23K 3/14

**FOREIGN PATENT DOCUMENTS**

GB 9007342720-0008 \* 12/2019  
KR 300871232.0000 \* 9/2016  
KR 300890880.0000 \* 1/2017  
WO D090098-001 \* 9/2016

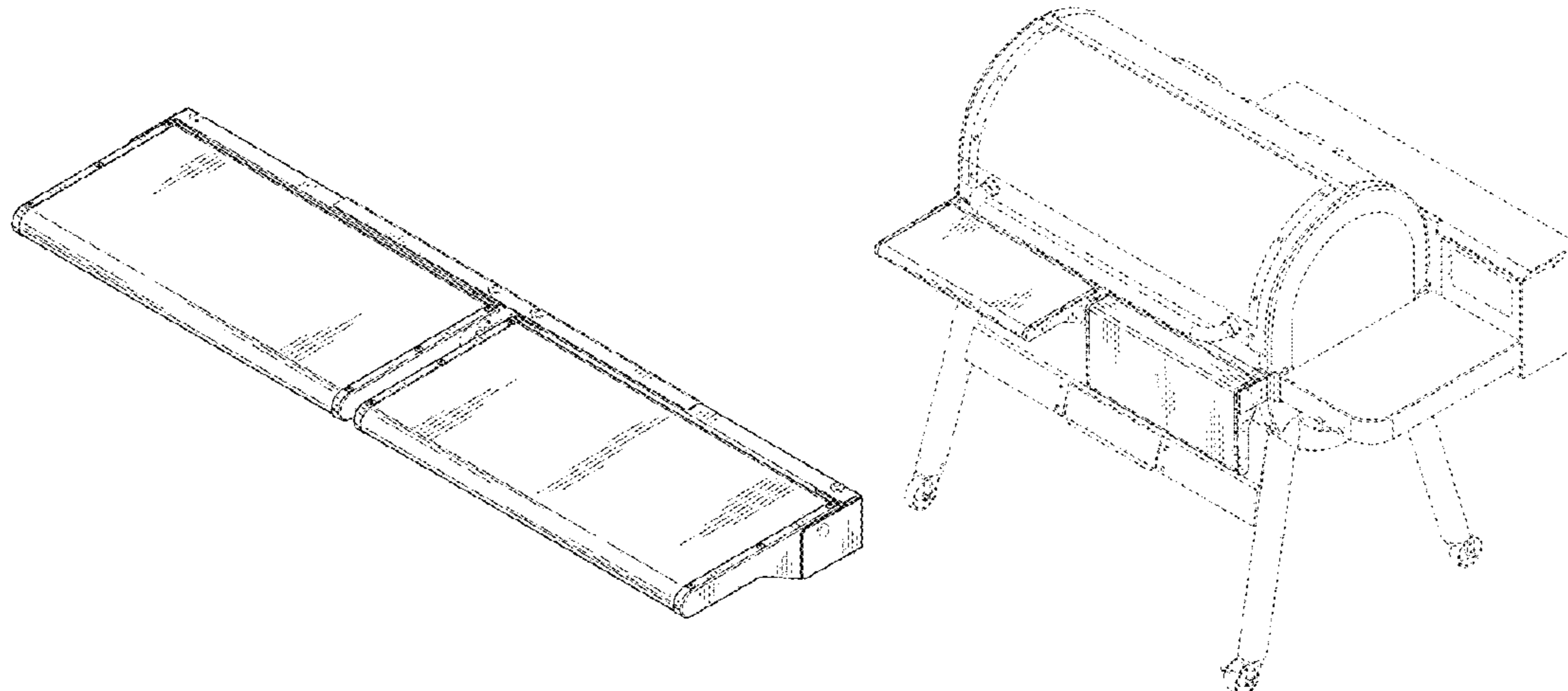
(56) **References Cited**

**U.S. PATENT DOCUMENTS**

D175,295 S \* 8/1955 Caldwell ..... D7/406  
2,922,414 A \* 1/1960 Brender ..... F24B 1/202  
D7/332  
D222,870 S \* 1/1972 Bearinger ..... D7/332  
D266,463 S \* 10/1982 Scott ..... D6/642  
D282,421 S \* 2/1986 Lewellen ..... D6/642  
D292,765 S \* 11/1987 Esslinger ..... D6/656.11  
4,770,157 A \* 9/1988 Shepherd ..... A47J 37/0713  
126/25 R  
4,895,068 A \* 1/1990 Hanagan ..... A47J 37/0713  
99/357

**OTHER PUBLICATIONS**

S. Barcham, "Attractive, Functional and Easy to Assemble," May 11, 2015, amazon.com, site visited May 5, 2022, URL: [https://www.amazon.com/Suncast-Outdoor-Grilling-Prep-Station/dp/B000FJA0HE/ref=sr\\_1\\_8?keywords=grill%2Btable&qid=1651765779&sr=8-8&th=1](https://www.amazon.com/Suncast-Outdoor-Grilling-Prep-Station/dp/B000FJA0HE/ref=sr_1_8?keywords=grill%2Btable&qid=1651765779&sr=8-8&th=1) (Year: 2015).\*  
Melanie Yates, "10 Convertible Drop-Leaf Tables to Conjure up Extra Entertaining Space," Apr. 1, 2016, bestproducts.com, site visited May 6, 2022, URL: <https://www.bestproducts.com/home/decor/g1386/drop-leaf-dining-tables/> (Year: 2016).\*



“DMT Stainless Wall Shelf,” Jun. 9, 2017, amazon.ca, site visited May 6, 2022, URL: <https://www.amazon.com/DMT-Stainless-Wall-Shelf-Deep/dp/B00II64R5W> (Year: 2017).\*

“Grisun Charcoal Grill Table Shelf,” Oct. 10, 2019, amazon.com, site visited May 5, 2022, URL: <https://www.amazon.com/Grisun-Charcoal-Original-Replaces-Barbecue/dp/B07YY27PR2> (Year: 2019).\*  
OhRion, “Nice Accessory BBQ Table,” Jan. 28, 2019 (review), amazon.com, site visited May 5, 2022, URL: <https://www.amazon.com/BBQ-Dragon-Charcoal-Accessories-Barbecue/dp/B06X9G3V63> (Year: 2019).\*

China National Intellectual Property Administration, “Notice of Decision of Grant of Patent Right,” issued in connection with Chinese Patent Application No. 202030265785.1, dated Aug. 13, 2020, 4 pages.

European Union Intellectual Property Office, “Certificate of Registration Nos. 008019848-0001 to -0002,” issued in connection with European Patent Application No. 008019848, dated Jun. 23, 2020, 9 pages.

European Union Intellectual Property Office, “Certificate of Registration Nos. 008018832-0001 to -0004,” issued in connection with European Patent Application No. 008018832, dated Jun. 23, 2020, 16 pages.

IP Australia, “Certificate of Registration,” issued in connection with Design Application No. 202013044, dated Jul. 9, 2020, 14 pages.

IP Australia, “Certificate of Registration,” issued in connection with Design Application No. 202013045, dated Jul. 9, 2020, 14 pages.

IP Australia, “Certificate of Examination,” issued in connection with Design Application No. 202013044, dated Dec. 8, 2020, 2 pages.

Canadian Intellectual Property Office, “Notice of Registration,” issued in connection with Canadian Patent Application No. 196133, dated Nov. 1, 2021, 16 pages.

IP Australia, “Certificate of Examination,” issued in connection with Design Application No. 202013045, dated Dec. 8, 2020, 2 pages.

IP Australia, “Notice of Correction to the Register,” issued in connection with Design Application No. 202013045, dated Nov. 25, 2020, 1 page.

Canadian Intellectual Property Office, “Notice of Registration,” issued in connection with Canadian Patent Application No. 196134, dated Mar. 16, 2022, 27 pages.

IP Australia, “Certificate of Registration,” issued in connection with Design Application No. 202013043, dated Jul. 9, 2020, 15 pages.

IP Australia, “Certificate of Examination,” issued in connection with Design Application No. 202013043, dated Dec. 7, 2020, 2 pages.

Canadian Intellectual Property Office, “Notice of Registration,” issued in connection with Canadian Patent Application No. 196135, dated Oct. 28, 2021, 16 pages.

European Union Intellectual Property Office, “Certificate of Registration Nos. 008018360-0001 to -0002,” issued in connection with European Patent Application No. 008018360 dated Jun. 23, 2020, 10 pages.

China National Intellectual Property Administration, “Certificate of Patent,” issued in connection with Chinese Patent Application No. 202030265785.1, dated Sep. 29, 2020, 3 pages.

United States Patent and Trademark Office, “Notice of Allowance and Fee(s) Due,” issued in connection with U.S. Appl. No. 29/724,272, dated Jun. 6, 2022, 7 pages.

\* cited by examiner

*Primary Examiner* — Eric L Goodman

*Assistant Examiner* — Sarah L Smith

(74) *Attorney, Agent, or Firm* — Hanley, Flight & Zimmerman, LLC

## (57) CLAIM

The ornamental design for a “table unit for cooking apparatus”, as shown and described in FIGS. 1-32.

## DESCRIPTION

FIG. 1 is a perspective view of a table unit for cooking apparatus. The example table unit of FIG. 1 includes a base,

a first adjustable table, and a second adjustable table, with the first and second adjustable tables shown in an erected position relative to the base.

FIG. 2 is a front view of the table unit of FIG. 1.

FIG. 3 is a rear view of the table unit of FIG. 1.

FIG. 4 is a right side view of the table unit of FIG. 1.

FIG. 5 is a left side view of the table unit of FIG. 1.

FIG. 6 is a top view of the table unit of FIG. 1.

FIG. 7 is a bottom view of the table unit of FIG. 1.

FIG. 8 is a perspective view of the example table unit of FIG. 1, with the first and second adjustable tables shown in a collapsed position relative to the base.

FIG. 9 is a front view of the table unit of FIG. 8.

FIG. 10 is a rear view of the table unit of FIG. 8.

FIG. 11 is a right side view of the table unit of FIG. 8.

FIG. 12 is a left side view of the table unit of FIG. 8.

FIG. 13 is a top view of the table unit of FIG. 8.

FIG. 14 is a bottom view of the table unit of FIG. 8.

FIG. 15 is a perspective view of the example table unit of FIG. 1, with the first adjustable table shown in the erected position of FIG. 1, and with the second adjustable table shown in the collapsed position of FIG. 8.

FIG. 16 is a front view of the table unit of FIG. 15.

FIG. 17 is a rear view of the table unit of FIG. 15.

FIG. 18 is a right side view of the table unit of FIG. 15.

FIG. 19 is a left side view of the table unit of FIG. 15.

FIG. 20 is a top view of the table unit of FIG. 15.

FIG. 21 is a bottom view of the table unit of FIG. 15.

FIG. 22 is a perspective view of the example table unit of FIG. 1, with the first adjustable table shown in the collapsed position of FIG. 8, and with the second adjustable table shown in the erected position of FIG. 1.

FIG. 23 is a front view of the table unit of FIG. 22.

FIG. 24 is a rear view of the table unit of FIG. 22.

FIG. 25 is a right side view of the table unit of FIG. 22.

FIG. 26 is a left side view of the table unit of FIG. 22.

FIG. 27 is a top view of the table unit of FIG. 22.

FIG. 28 is a bottom view of the table unit of FIG. 22.

FIG. 29 is a perspective view of the example table unit of FIG. 1, with the table unit shown mounted to an example cooking apparatus, and with the first and second adjustable tables shown in the erected position of FIG. 1.

FIG. 30 is a perspective view of the example table unit of FIG. 1, with the table unit shown mounted to the cooking apparatus of FIG. 29, and with the first and second adjustable tables shown in the collapsed position of FIG. 8.

FIG. 31 is a perspective view of the example table unit of FIG. 1, with the table unit shown mounted to the cooking apparatus of FIG. 29, with the first adjustable table shown in the erected position of FIG. 1, and with the second adjustable table shown in the collapsed position of FIG. 8; and,

FIG. 32 is a perspective view of the example table unit of FIG. 1, with the table unit shown mounted to the cooking apparatus of FIG. 29, with the first adjustable table shown in the collapsed position of FIG. 8, and with the second adjustable table shown in the erected position of FIG. 1.

The features shown in broken lines form no part of the claimed design.

The lighter solid lines denote surfaces and contours. Line shading is not surface ornamentation.

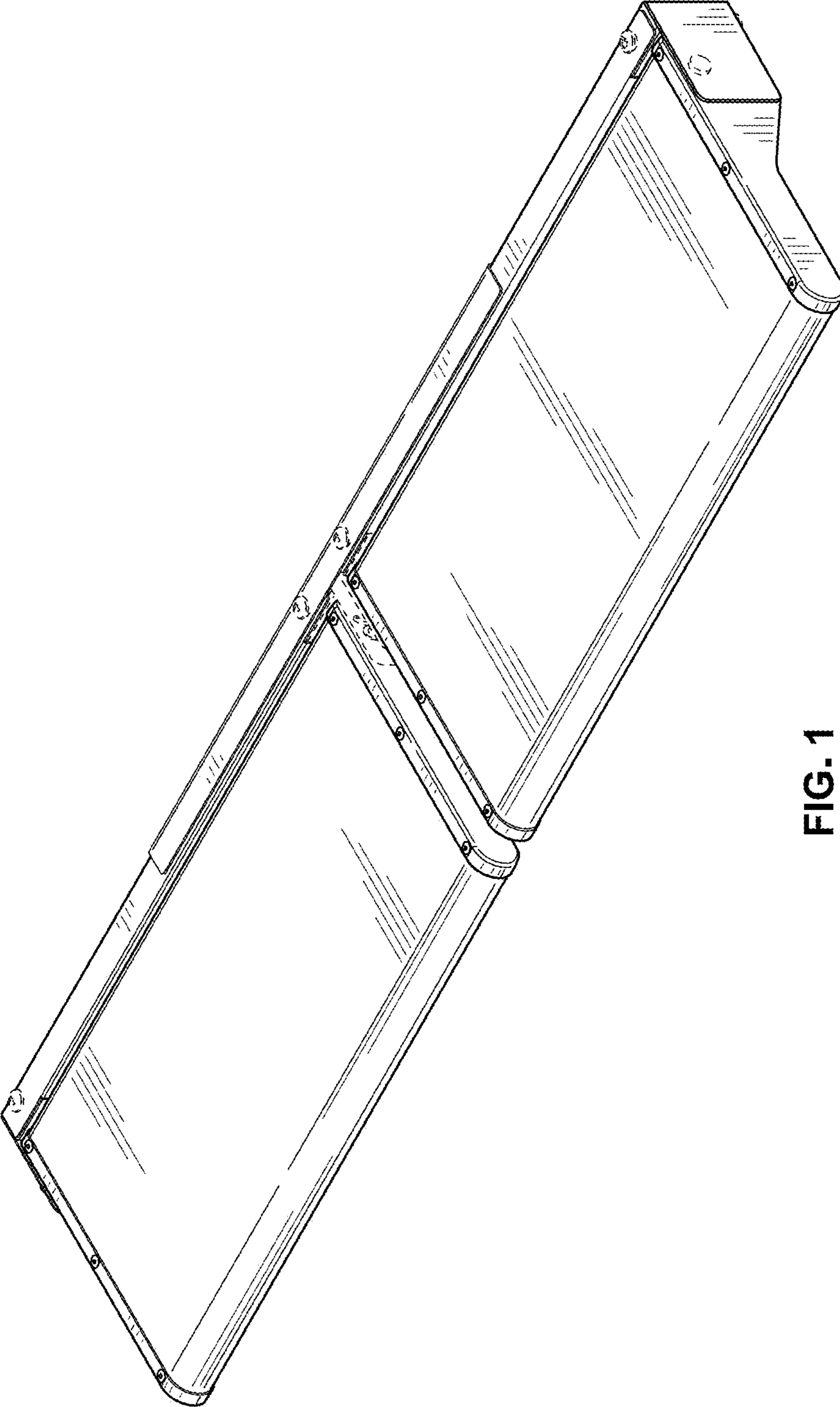
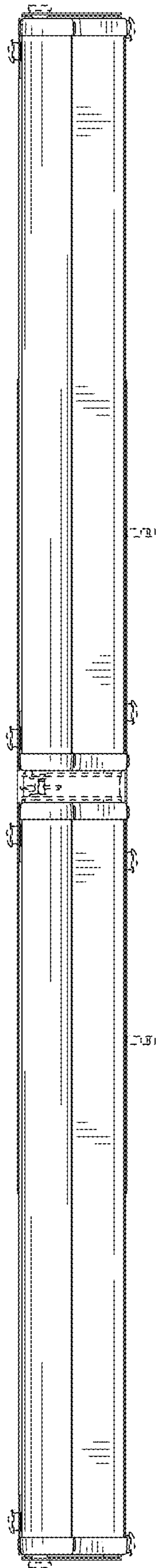
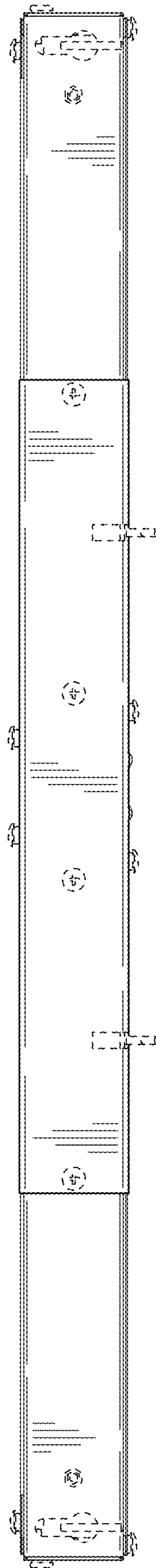


FIG. 1



**FIG. 2**



**FIG. 3**

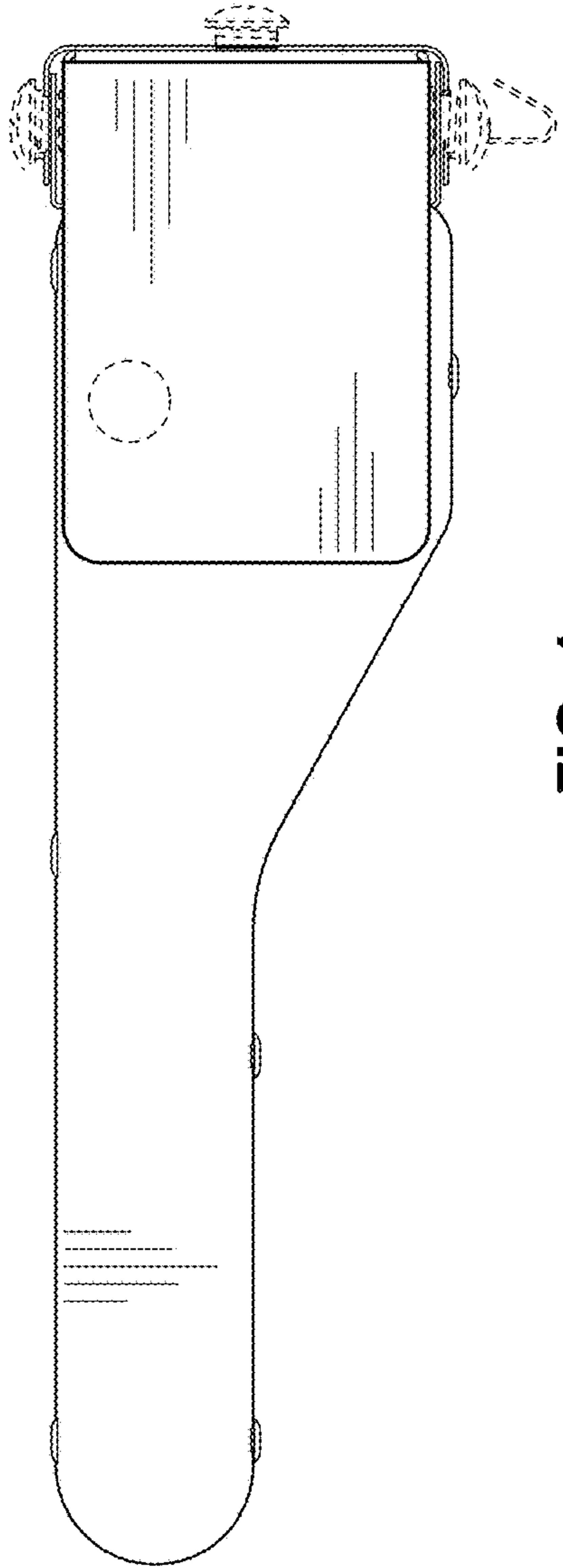


FIG. 4

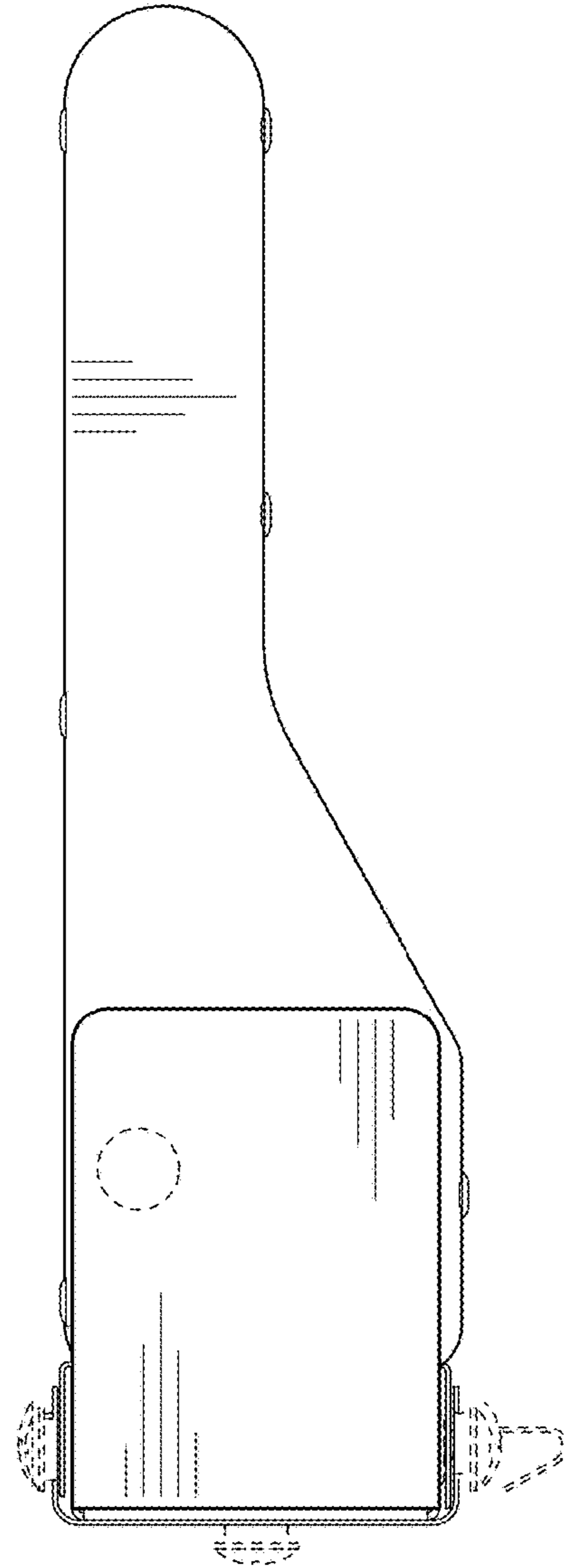


FIG. 5

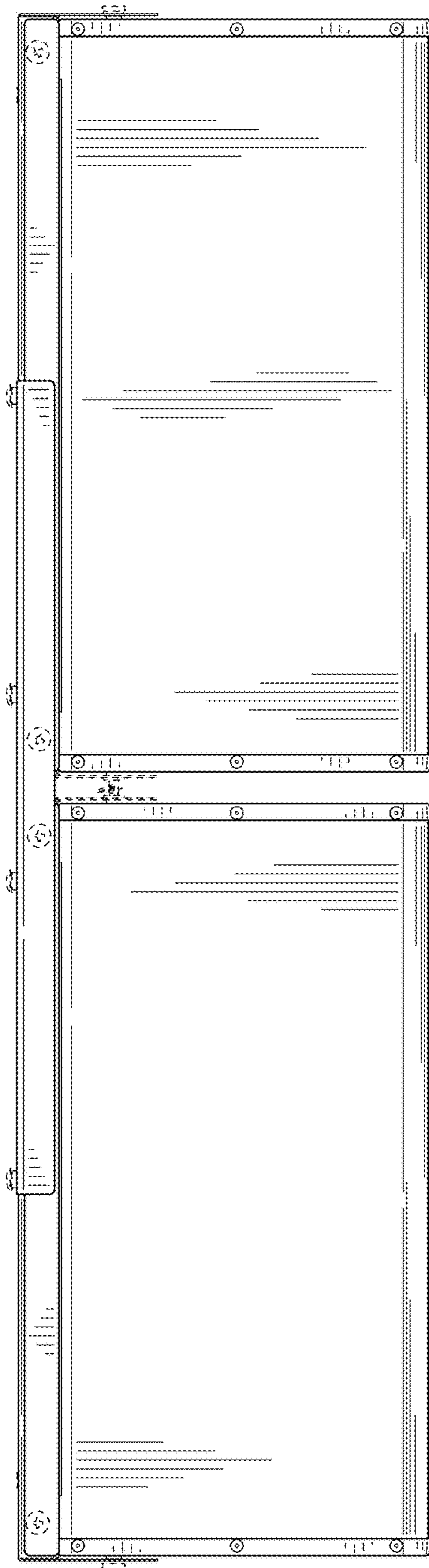


FIG. 6

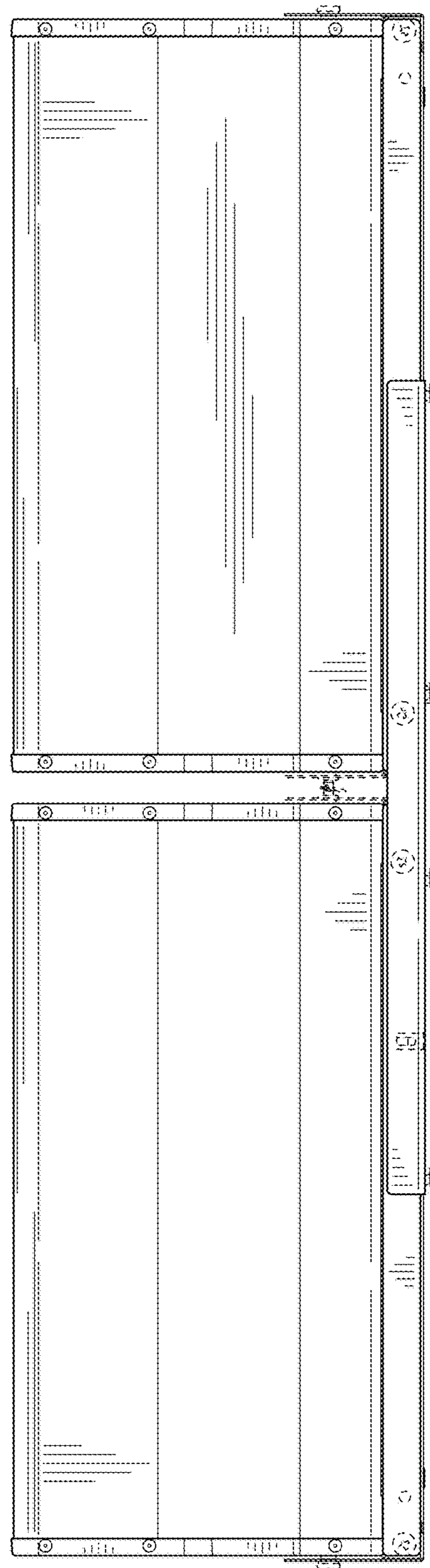


FIG. 7

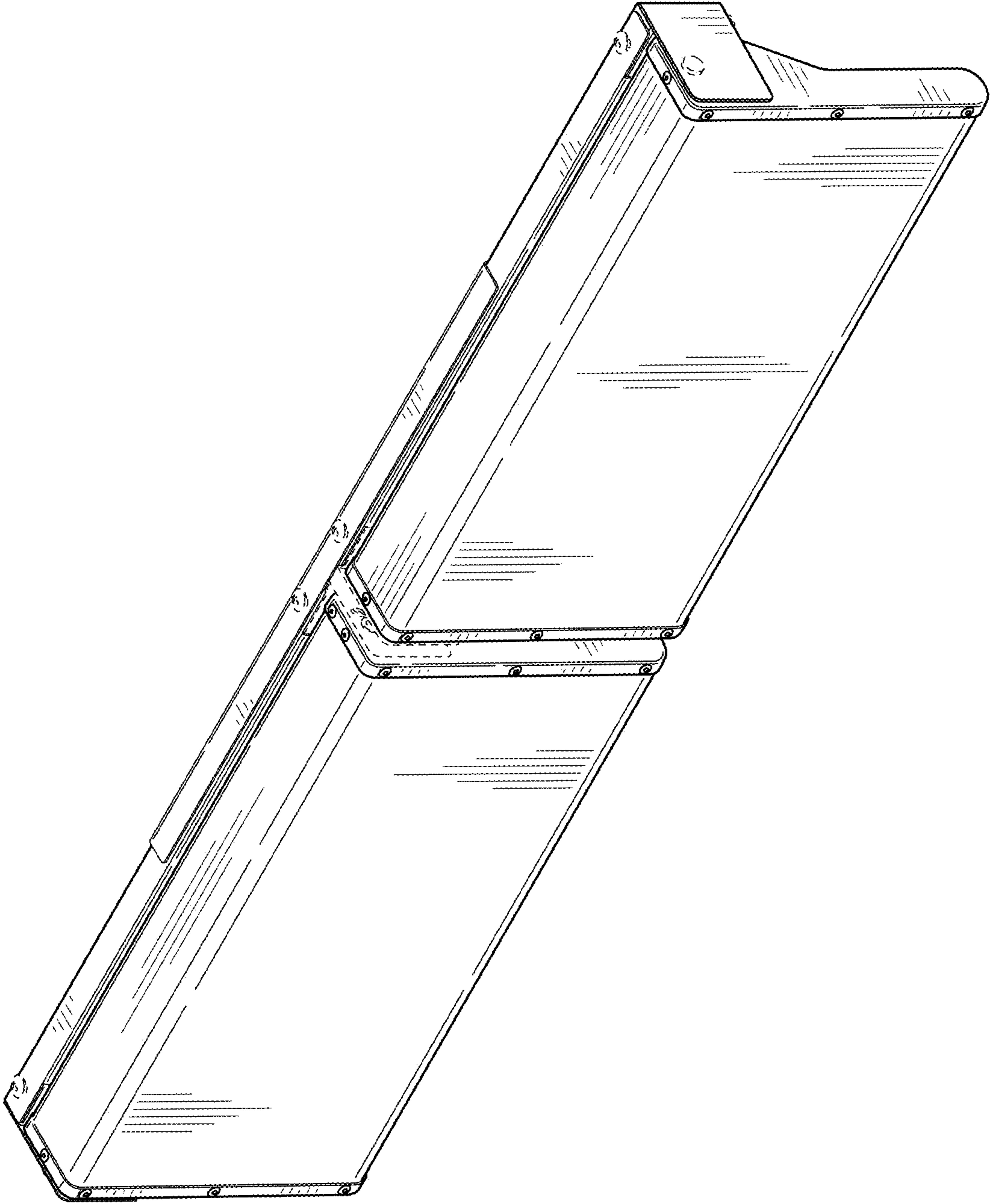


FIG. 8

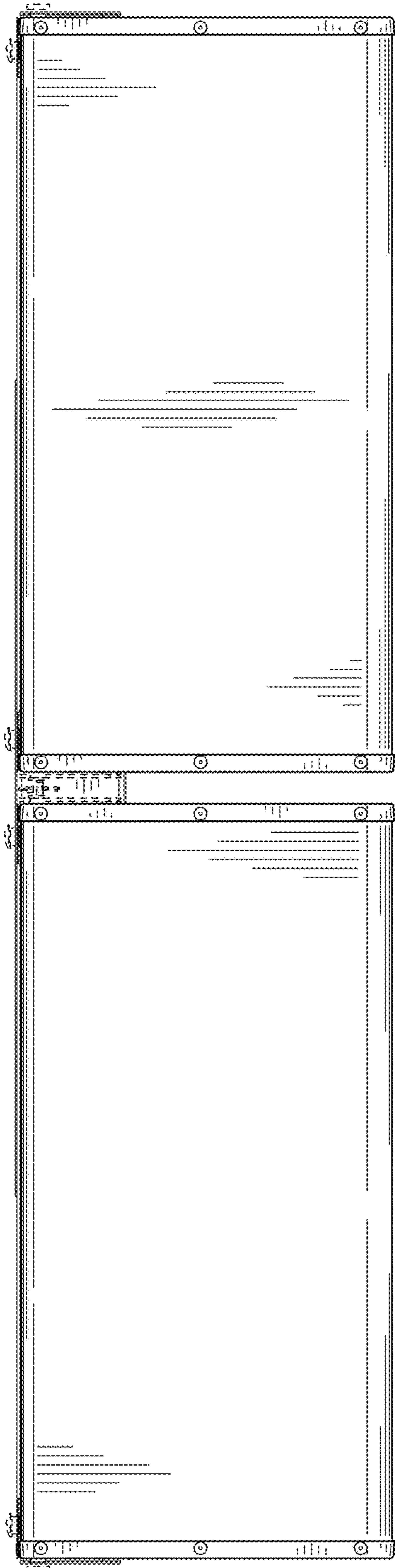


FIG. 9

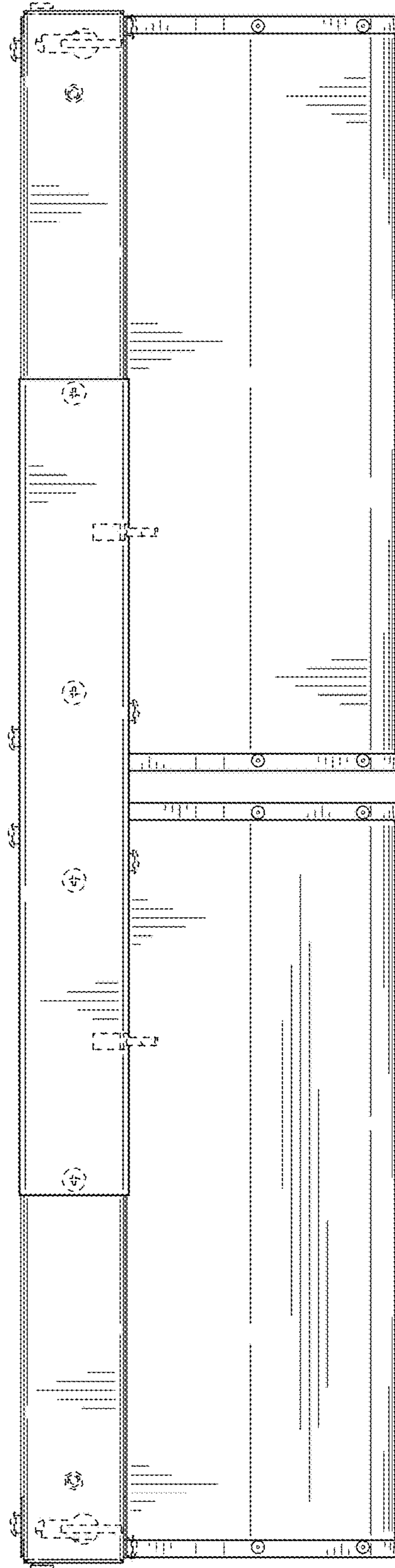


FIG. 10



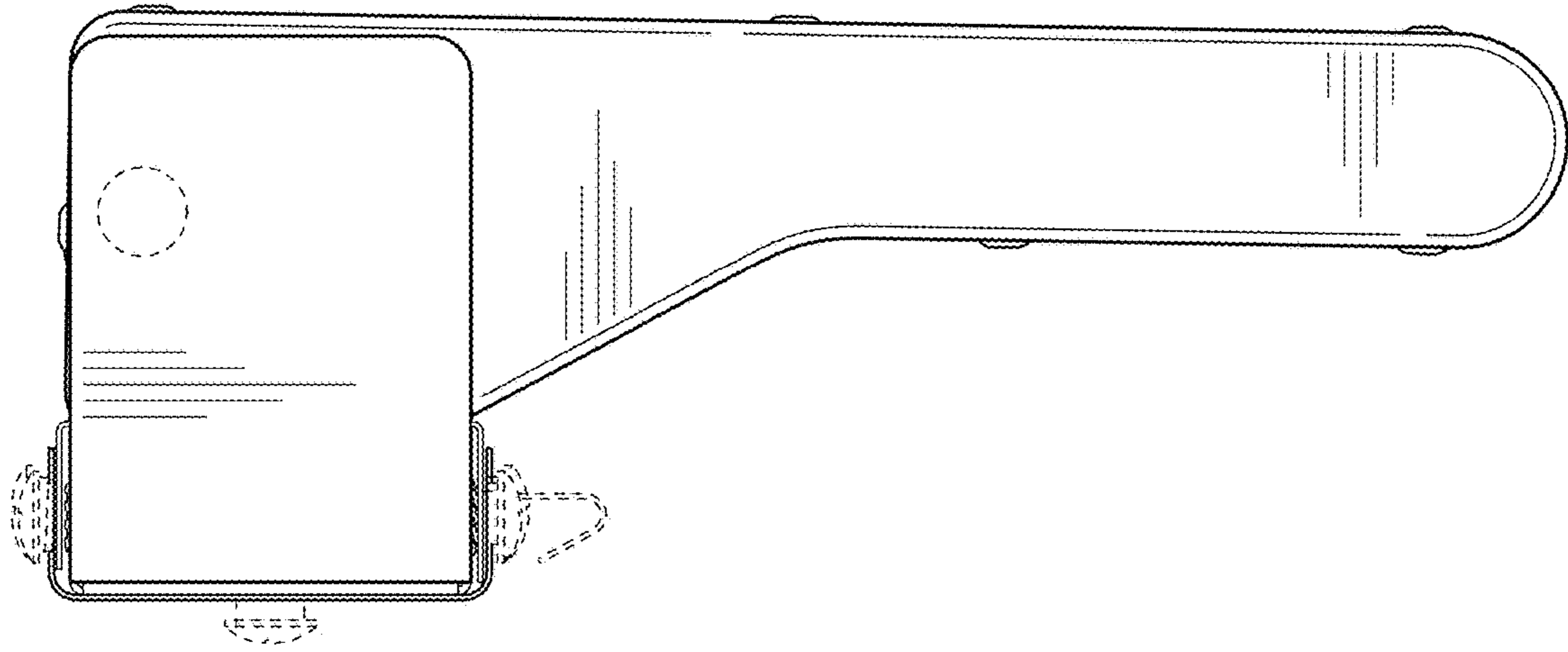


FIG. 11

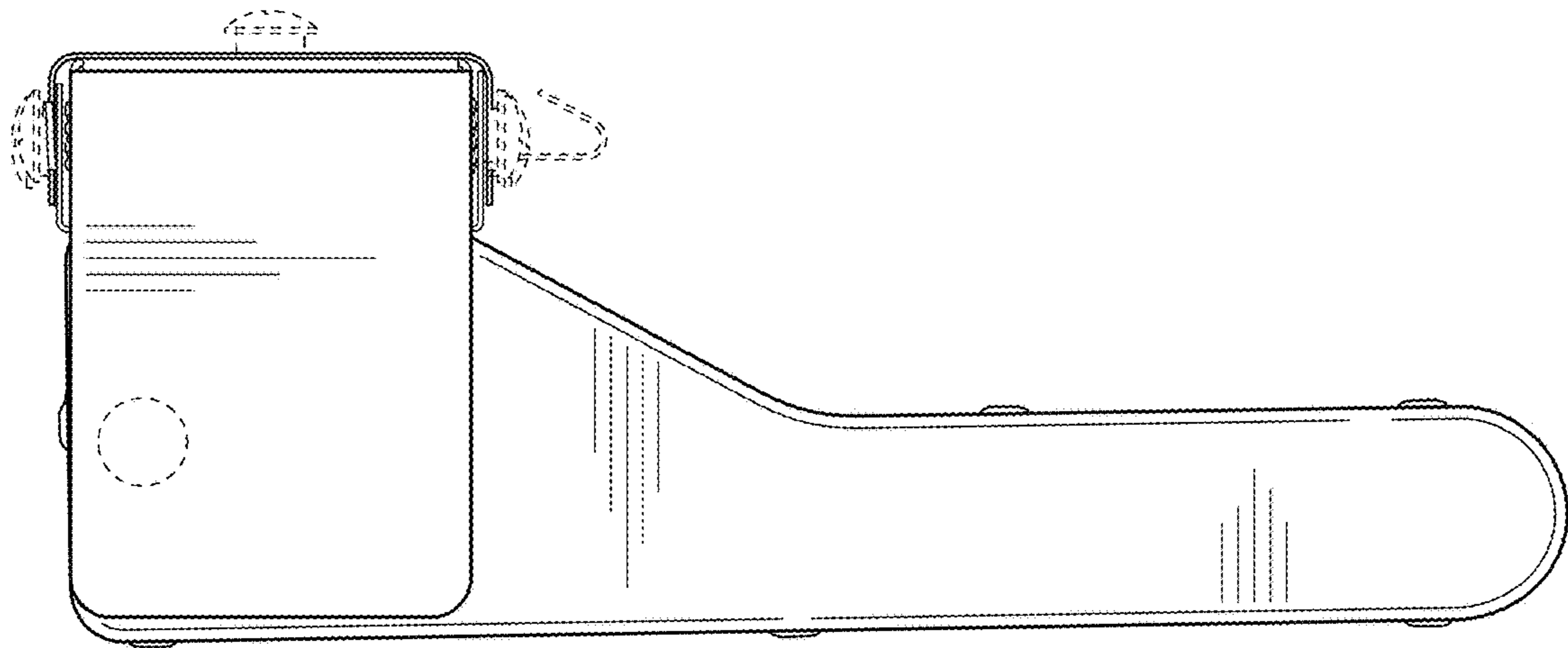


FIG. 12

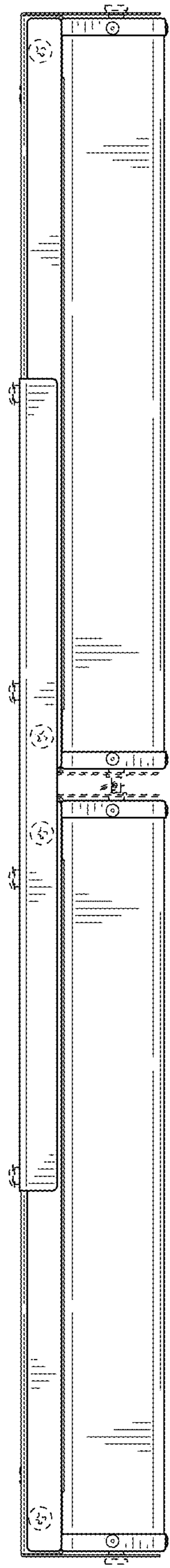


FIG. 13

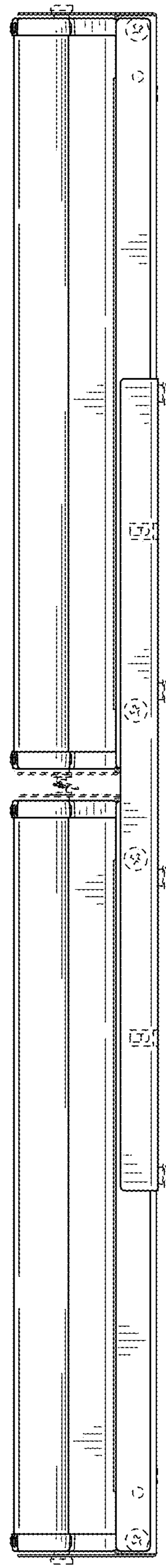


FIG. 14

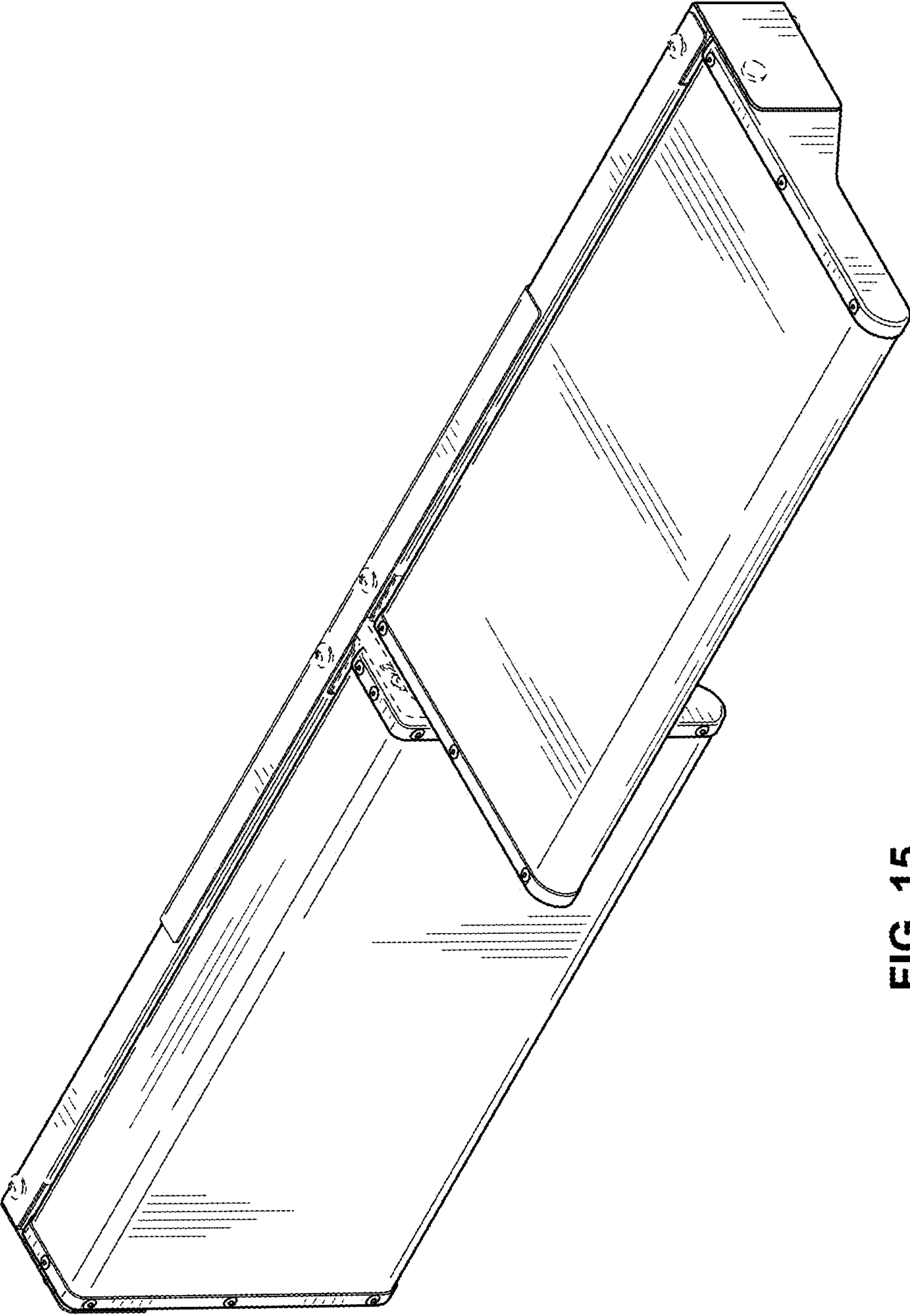


FIG. 15

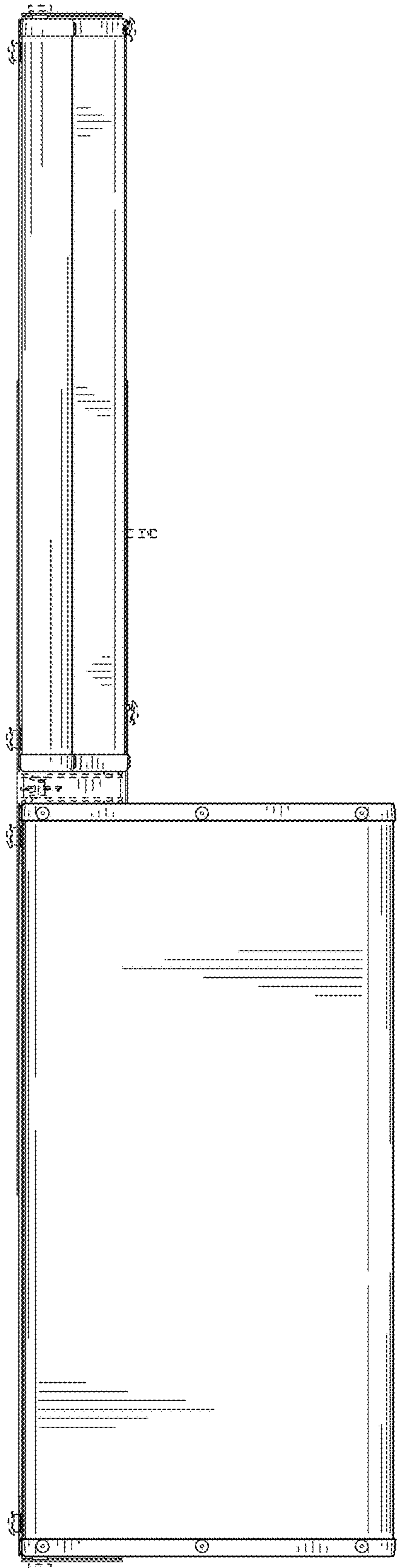


FIG. 16

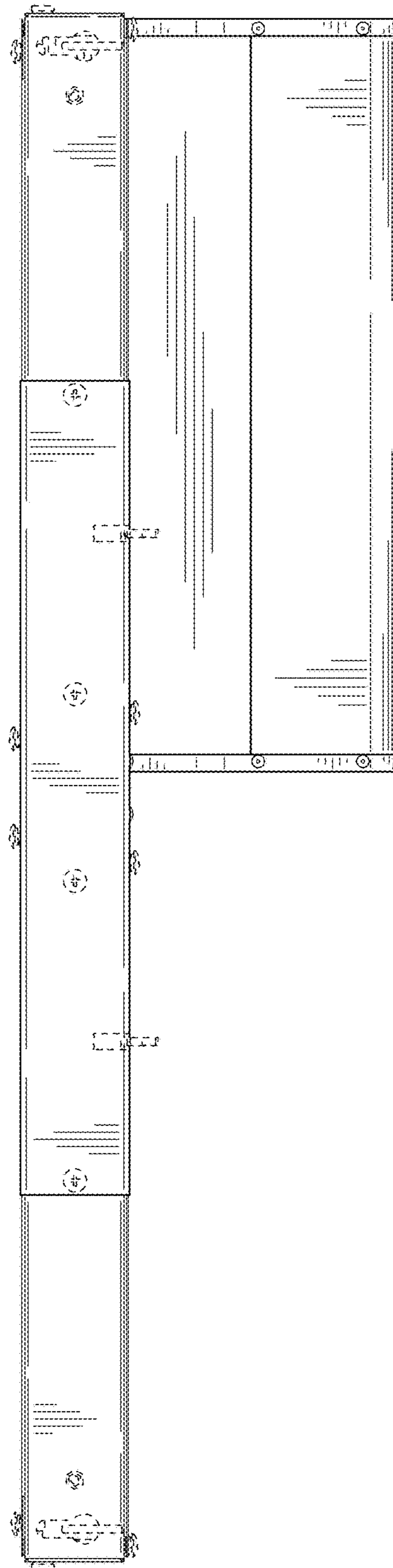


FIG. 17

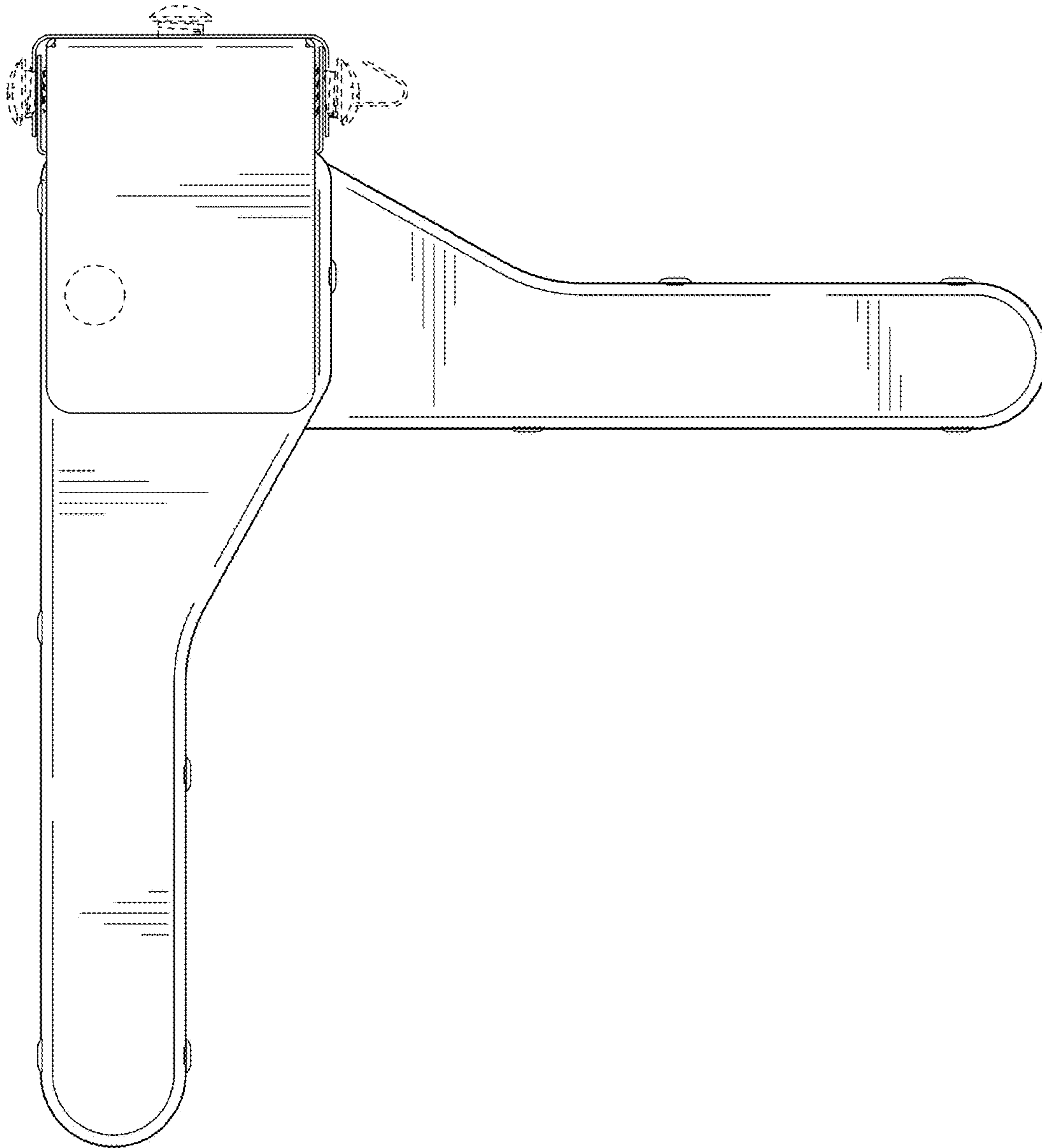


FIG. 18

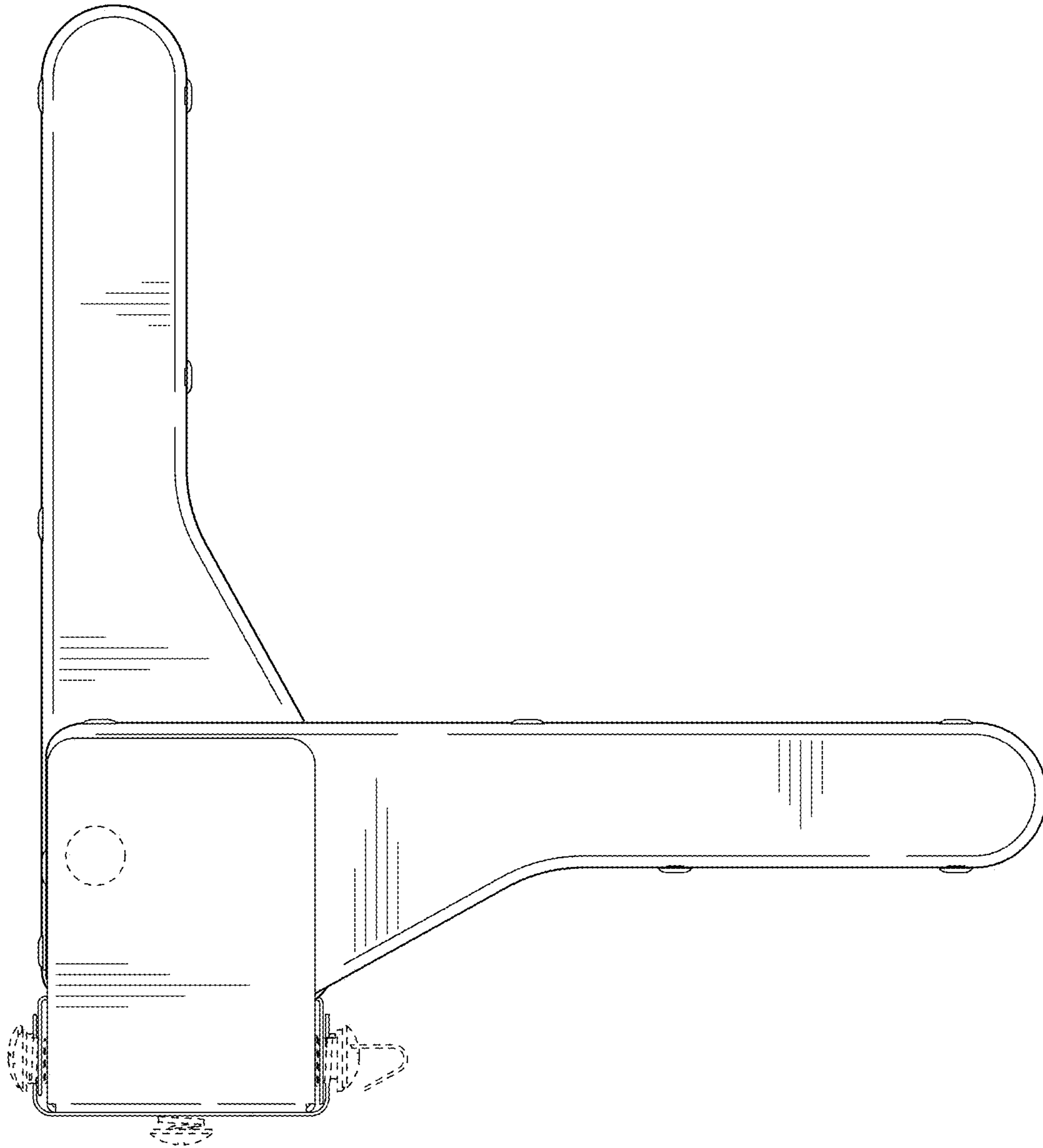


FIG. 19

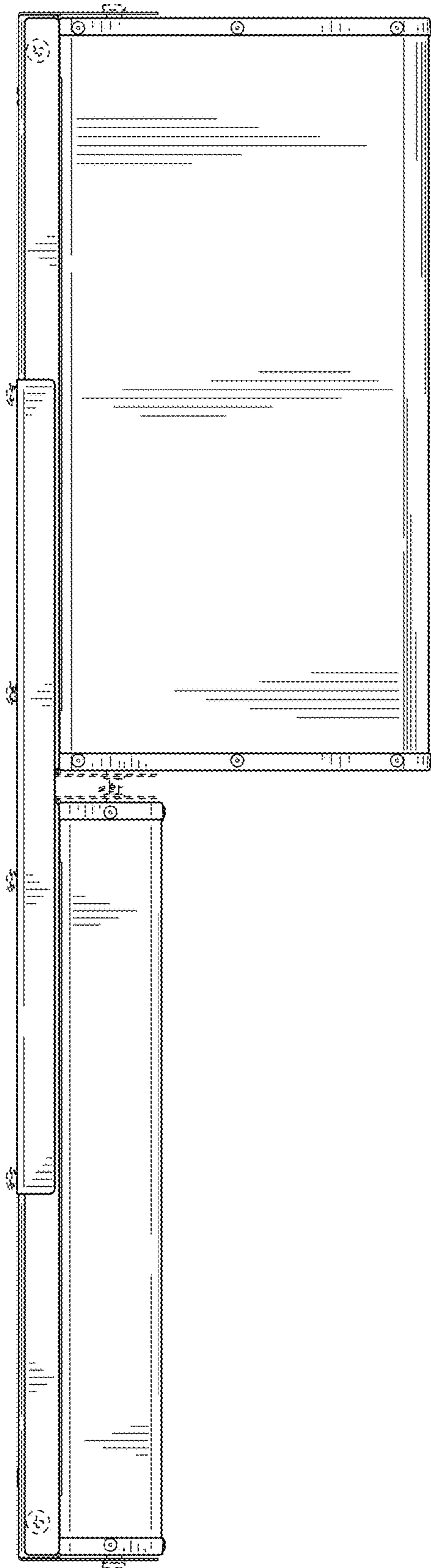


FIG. 20

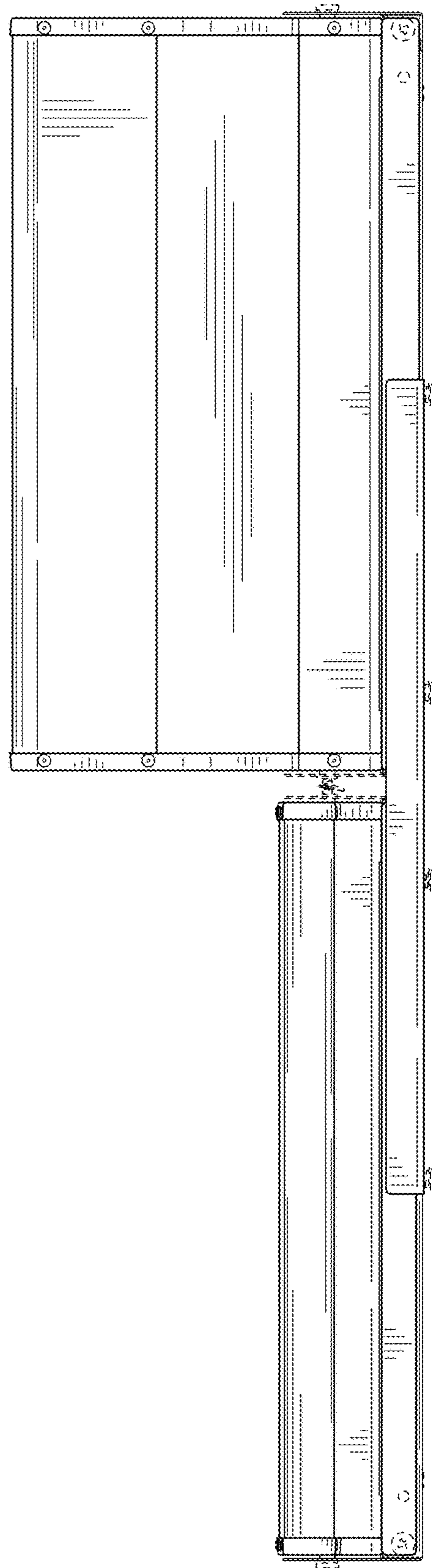


FIG. 21

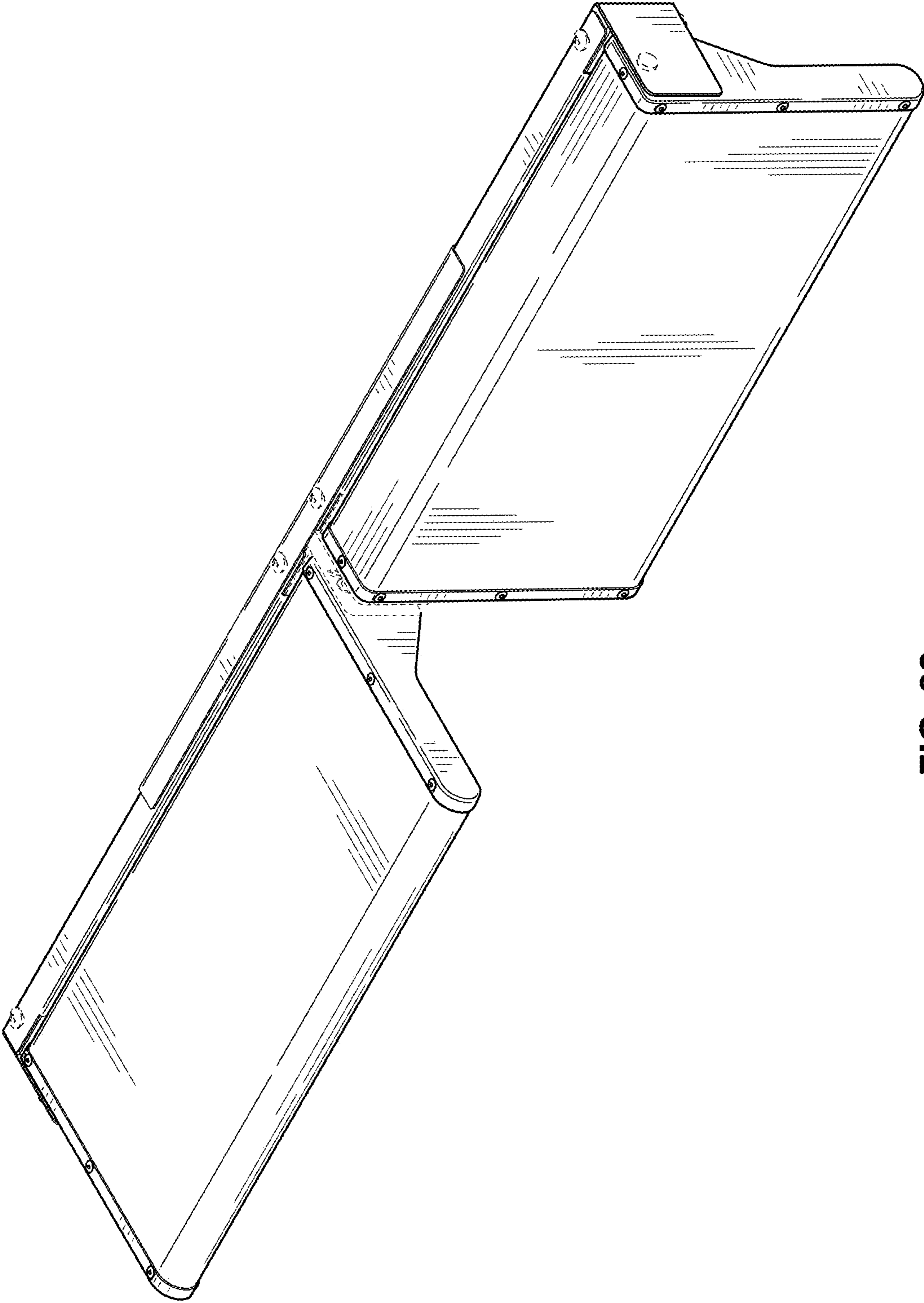


FIG. 22



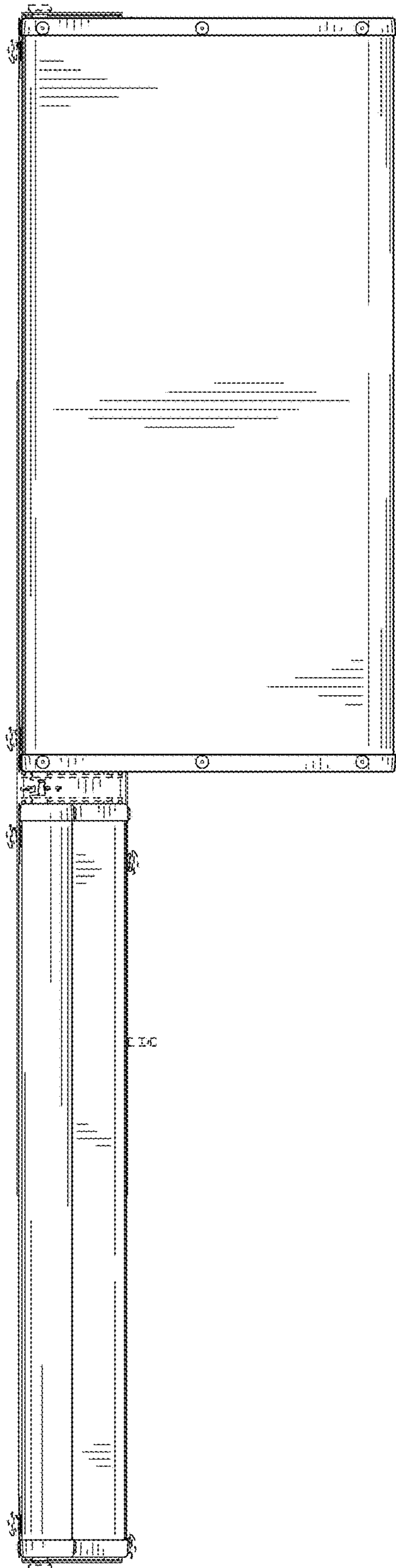


FIG. 23

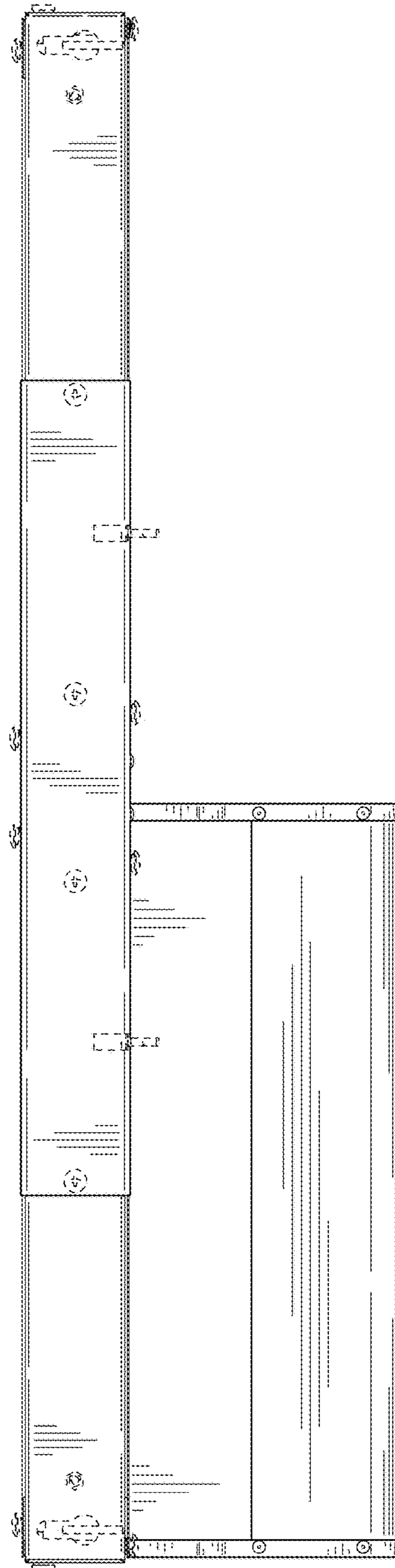


FIG. 24

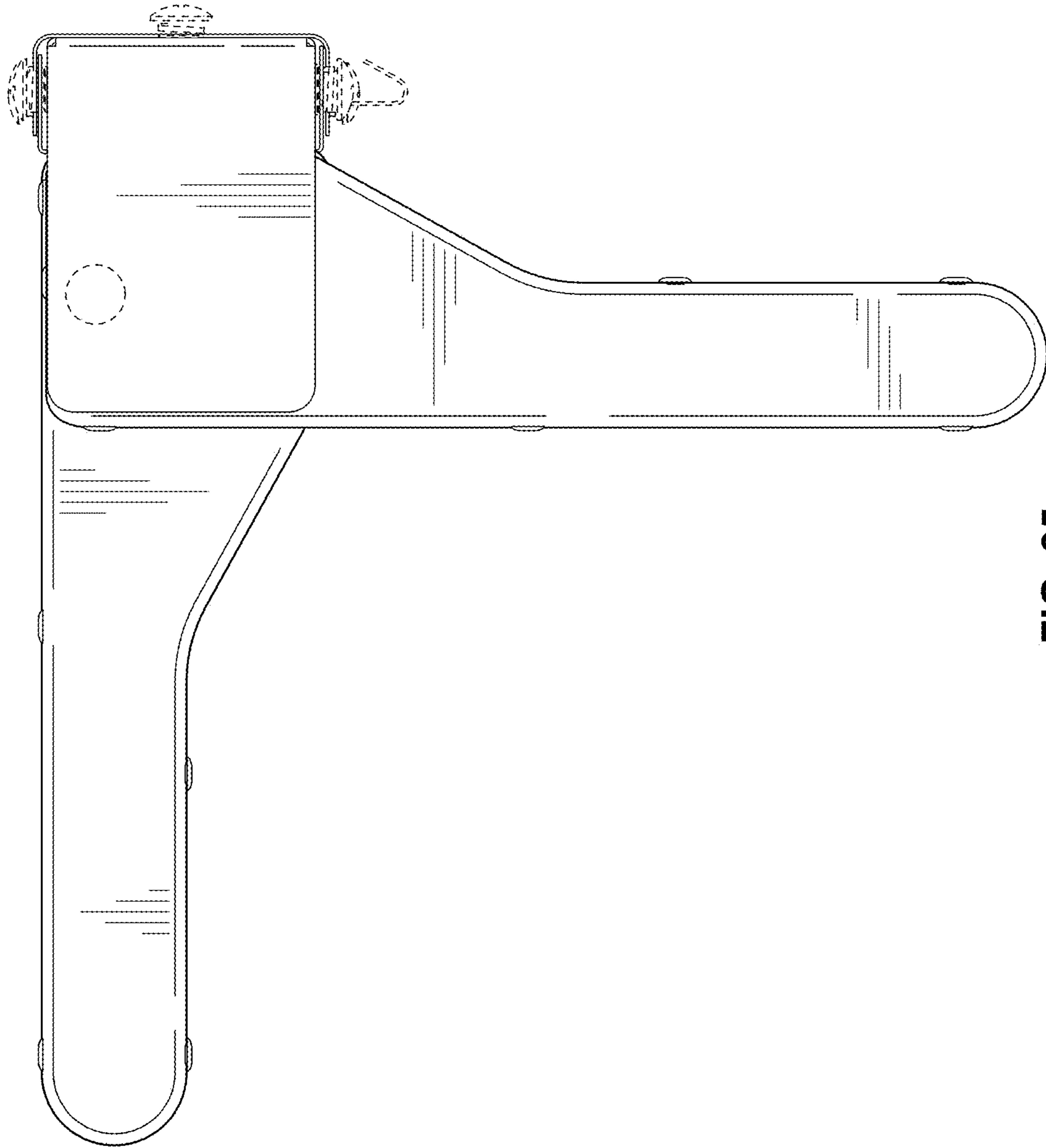


FIG. 25

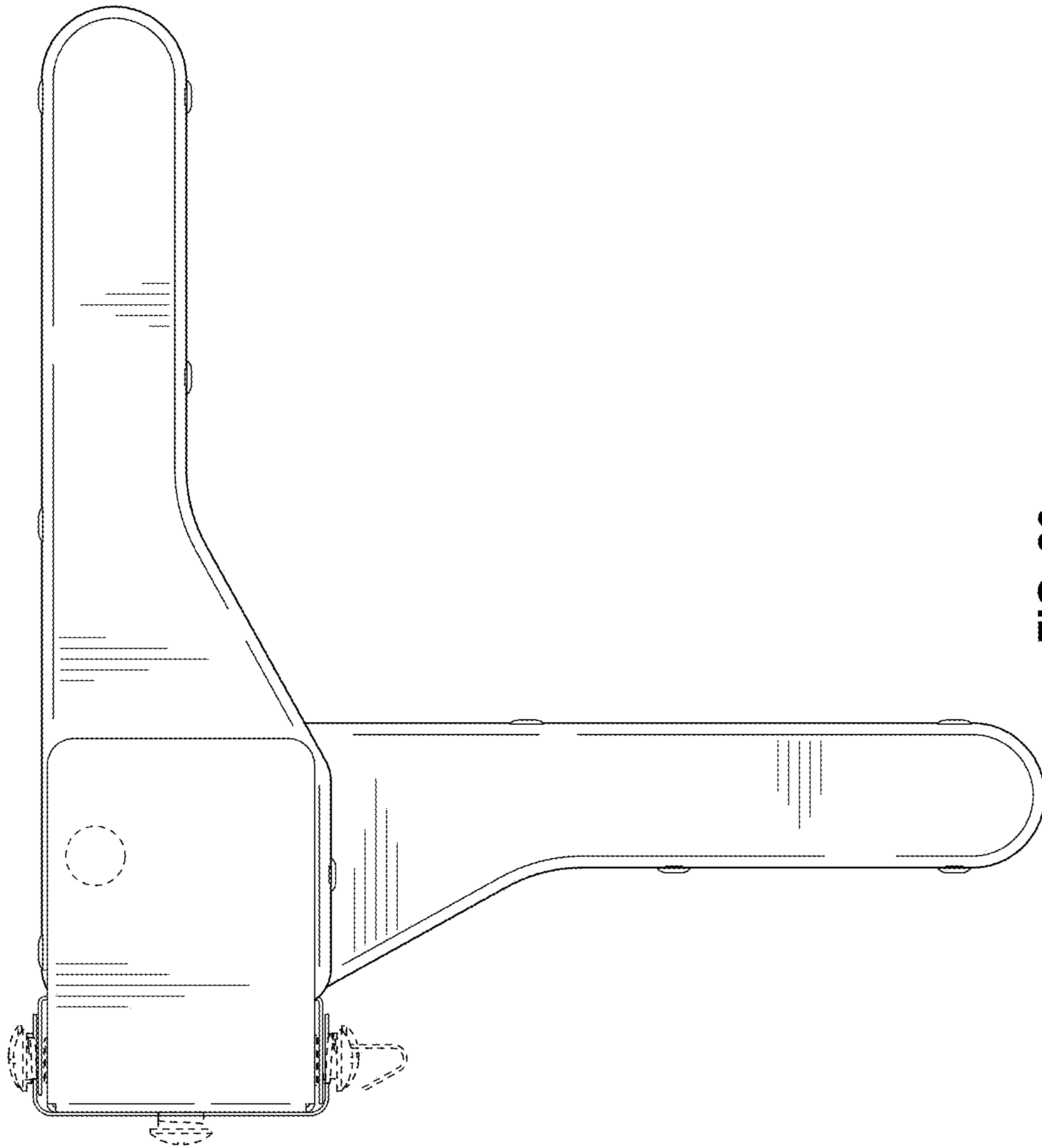


FIG. 26

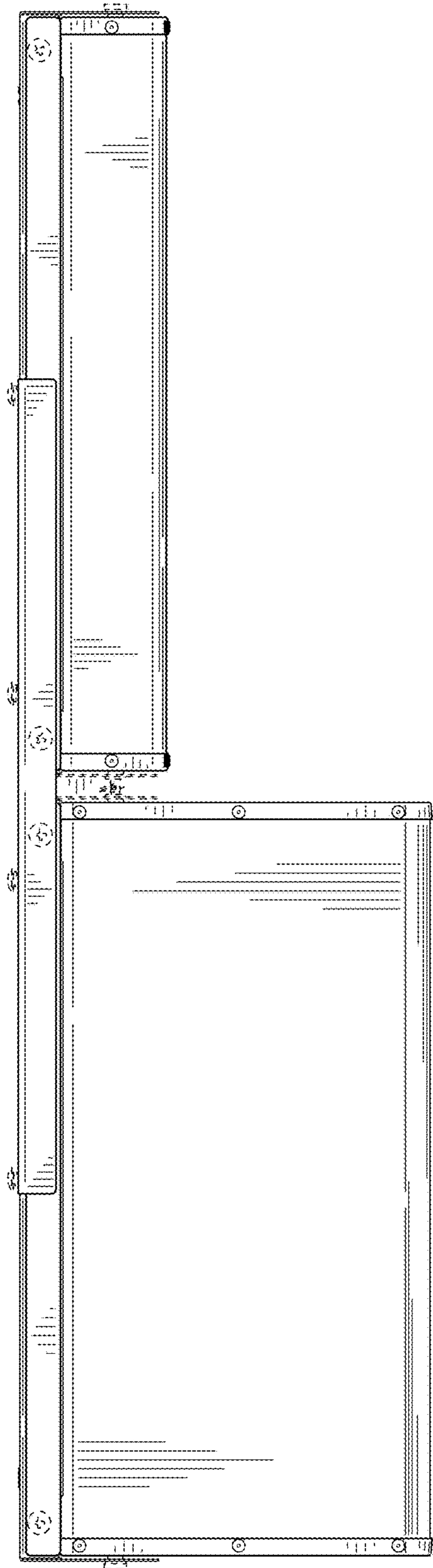


FIG. 27

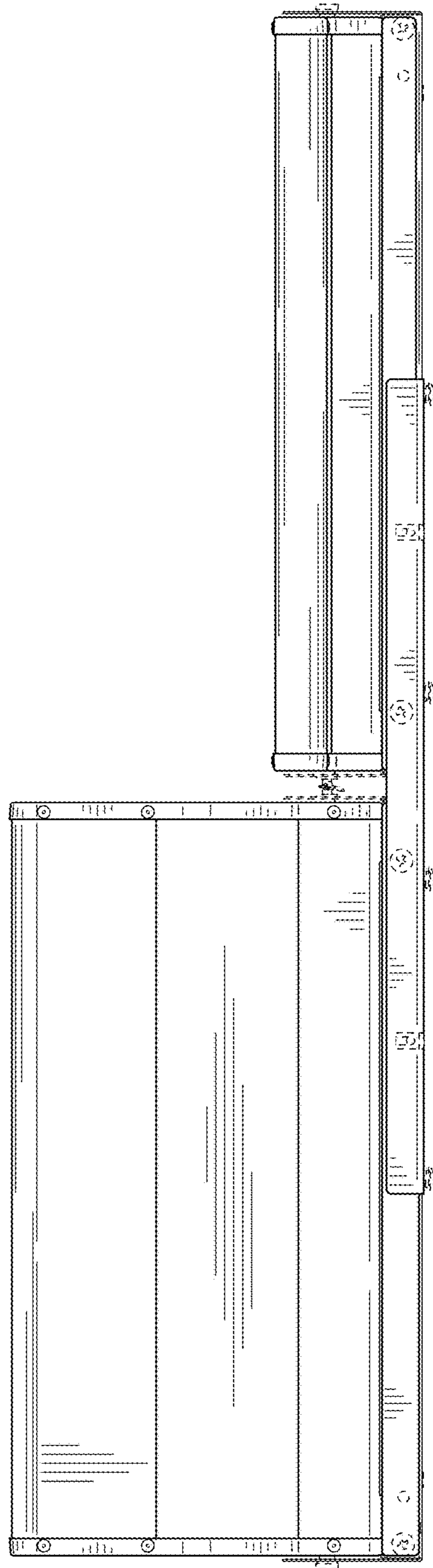


FIG. 28

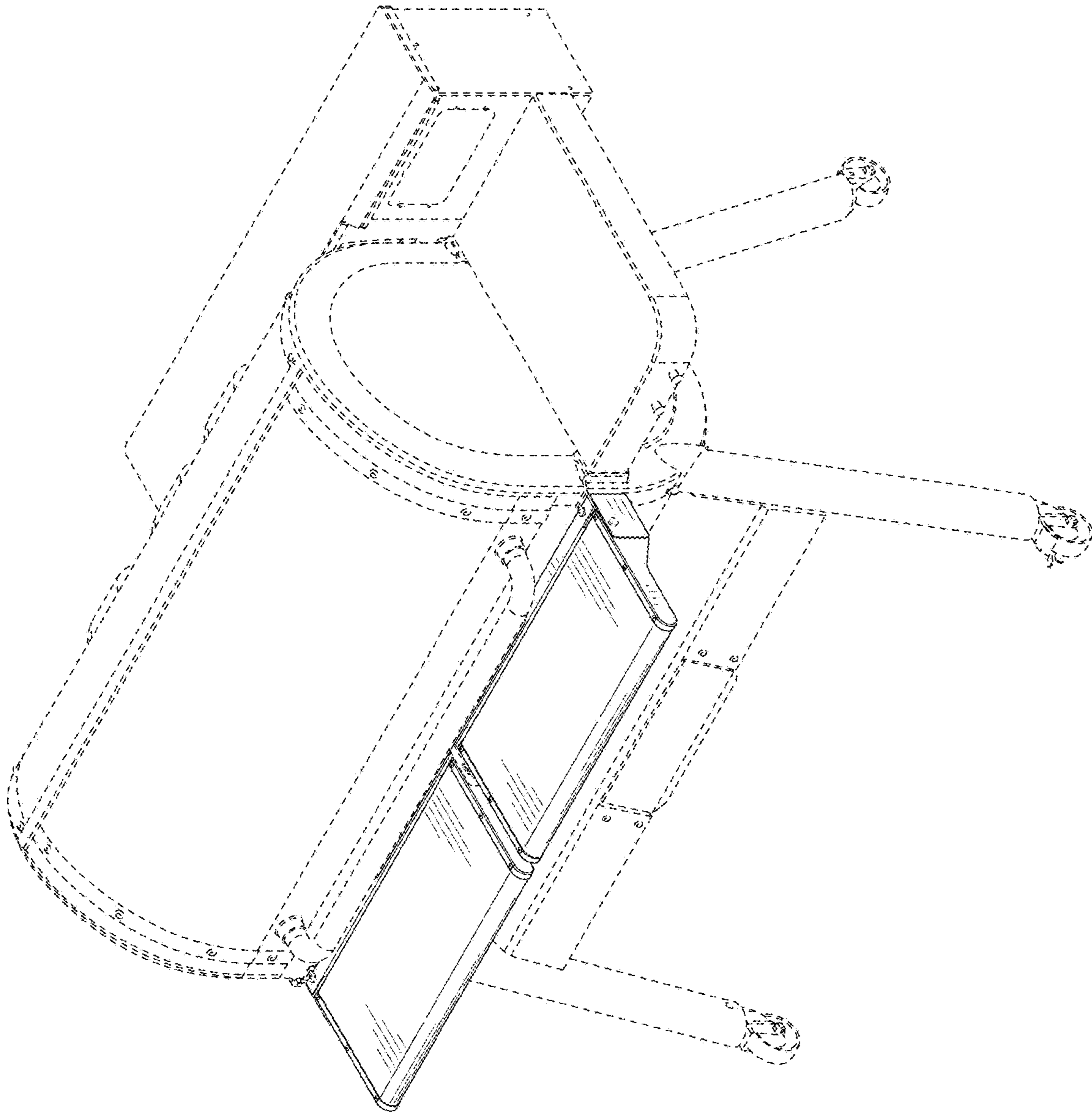


FIG. 29

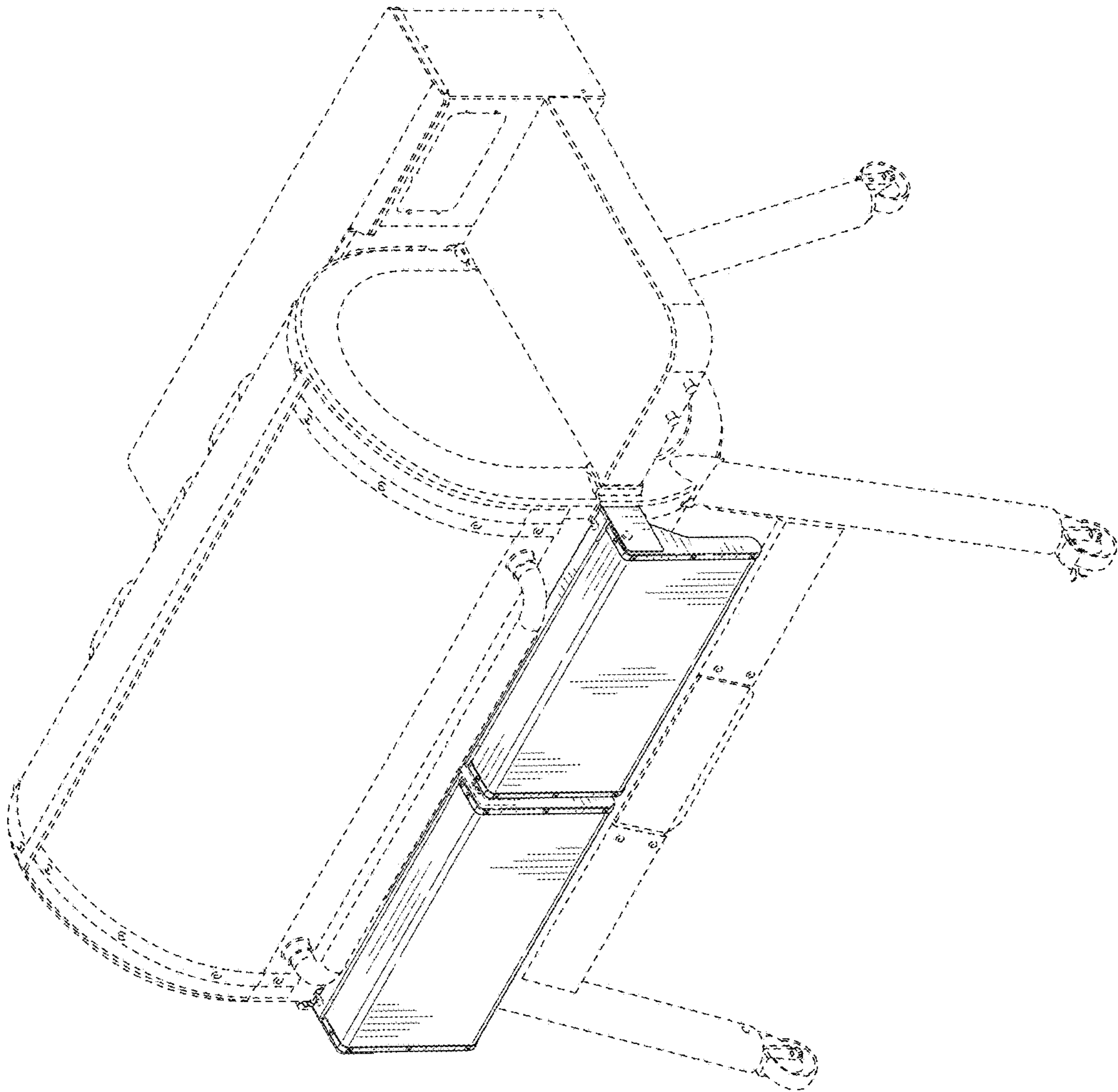


FIG. 30

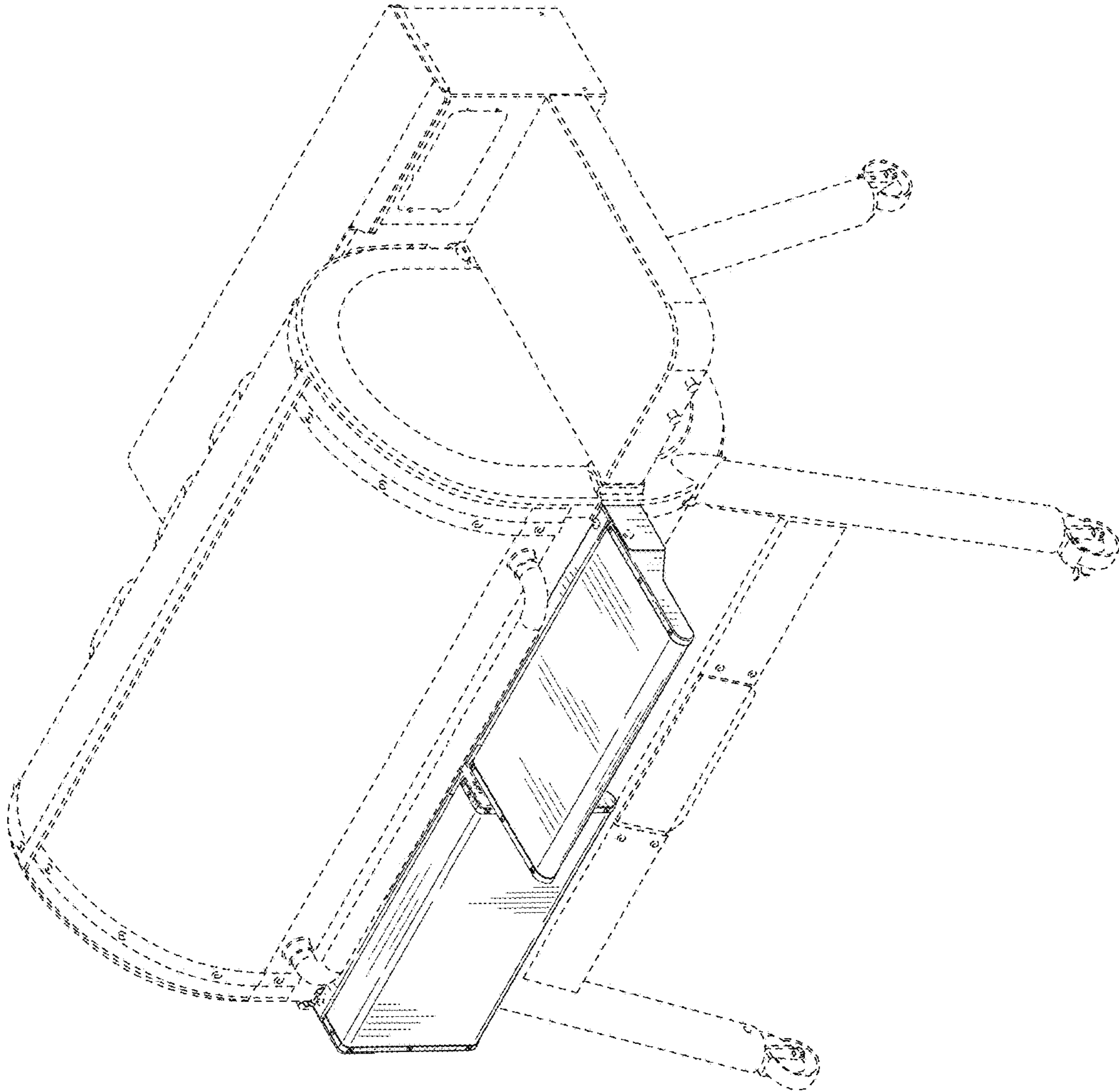


FIG. 31

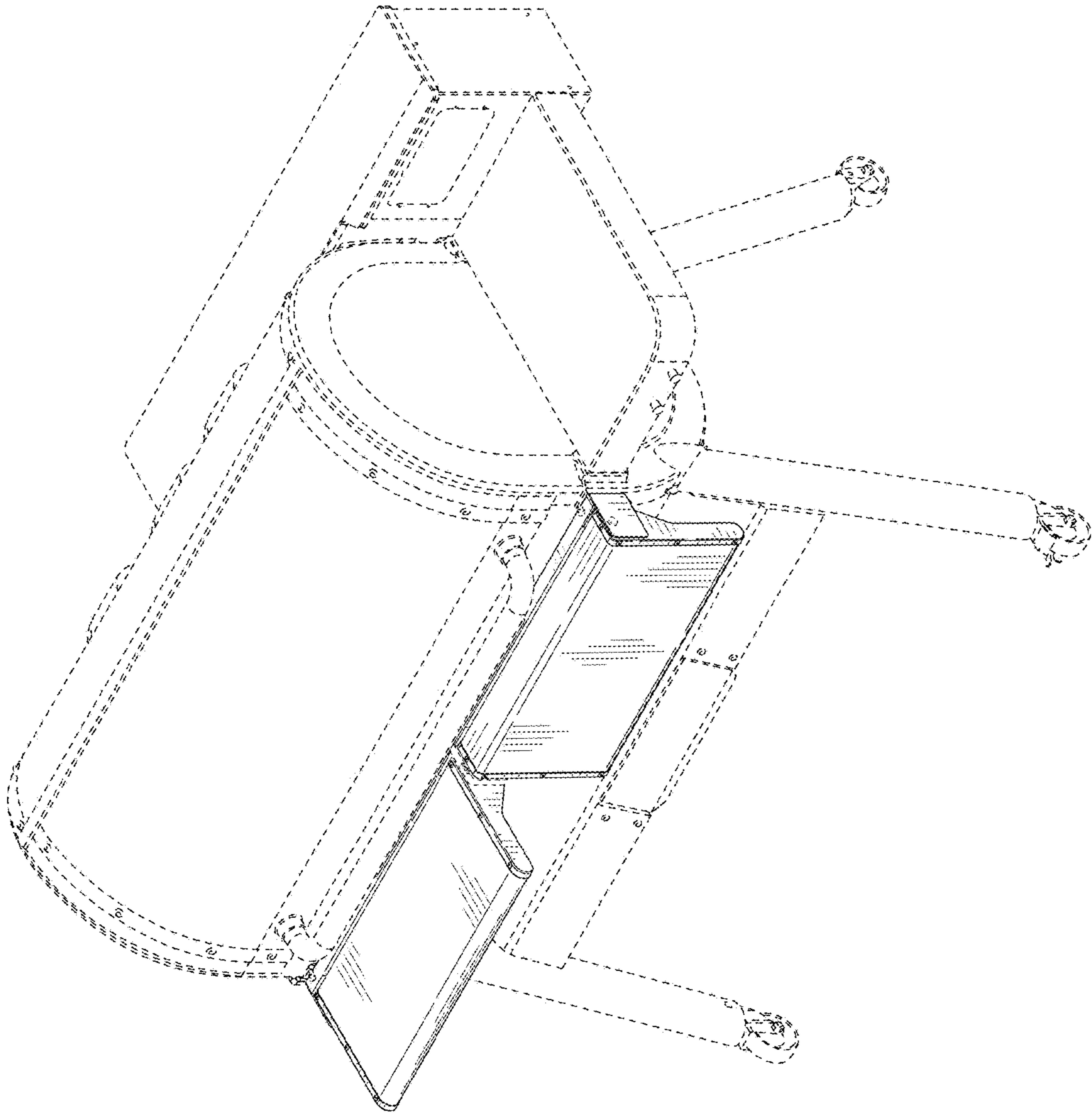


FIG. 32