



US00D959904S

(12) **United States Design Patent**  
**Bennion et al.**

(10) **Patent No.:** **US D959,904 S**

(45) **Date of Patent:** **\*\* Aug. 9, 2022**

(54) **TABLE UNIT FOR COOKING APPARATUS**

(71) Applicant: **Weber-Stephen Products LLC**,  
Palatine, IL (US)

(72) Inventors: **Derek Bennion**, Chicago, IL (US);  
**Shannon Ella Cerny**, Elgin, IL (US);  
**William Alexander Mecker**, Chicago,  
IL (US); **Romualdo Sonny Siazon**,  
Woodstock, IL (US); **Brian C.**  
**Donnelly**, Naperville, IL (US)

(73) Assignee: **WEBER-STEPHEN PRODUCTS**  
**LLC**, Palatine, IL (US)

(\*\*) Term: **15 Years**

(21) Appl. No.: **29/724,272**

(22) Filed: **Feb. 13, 2020**

(51) **LOC (13) Cl.** ..... **07-02**

(52) **U.S. Cl.**  
USPC ..... **D7/406**

(58) **Field of Classification Search**  
USPC ..... D7/332, 334, 402, 406, 407, 409;  
D6/642, 653, 654; D23/403, 404, 409,  
D23/415, 416, 418

(Continued)

(56) **References Cited**

**U.S. PATENT DOCUMENTS**

D175,295 S \* 8/1955 Caldwell ..... D7/406  
2,922,414 A \* 1/1960 Brender ..... F24B 1/202  
D7/332

(Continued)

**FOREIGN PATENT DOCUMENTS**

GB 9007342720-0008 \* 12/2019  
KR 300871232.0000 \* 9/2016

(Continued)

**OTHER PUBLICATIONS**

S. Barcham, "Attractive, Functional and Easy to Assemble," May  
11, 2015, amazon.com, site visited May 5, 2022, URL: <https://www>.

amazon.com/Suncast-Outdoor-Grilling-Prep-Station/dp/B000FJA0HE/  
ref=sr\_1\_8?keywords=grill%2Btable&qid=1651765779&sr=8-8  
&th=1 (Year: 2015).\*

(Continued)

*Primary Examiner* — Eric L Goodman

*Assistant Examiner* — Sarah L Smith

(74) *Attorney, Agent, or Firm* — Hanley, Flight &  
Zimmerman, LLC

(57) **CLAIM**

The ornamental design for a "table unit for cooking appa-  
ratus", as shown and described in FIGS. 1-16.

**DESCRIPTION**

FIG. 1 is a perspective view of a table unit for cooking  
apparatus. The example table unit of FIG. 1 includes a base  
and an adjustable table, with the adjustable table shown in  
an erected position relative to the base.

FIG. 2 is a front view of the table unit of FIG. 1.

FIG. 3 is a rear view of the table unit of FIG. 1.

FIG. 4 is a right side view of the table unit of FIG. 1.

FIG. 5 is a left side view of the table unit of FIG. 1.

FIG. 6 is a top view of the table unit of FIG. 1.

FIG. 7 is a bottom view of the table unit of FIG. 1.

FIG. 8 is a perspective view of the example table unit of FIG.  
1, with the adjustable table shown in a collapsed position  
relative to the base.

FIG. 9 is a front view of the table unit of FIG. 8.

FIG. 10 is a rear view of the table unit of FIG. 8.

FIG. 11 is a right side view of the table unit of FIG. 8.

FIG. 12 is a left side view of the table unit of FIG. 8.

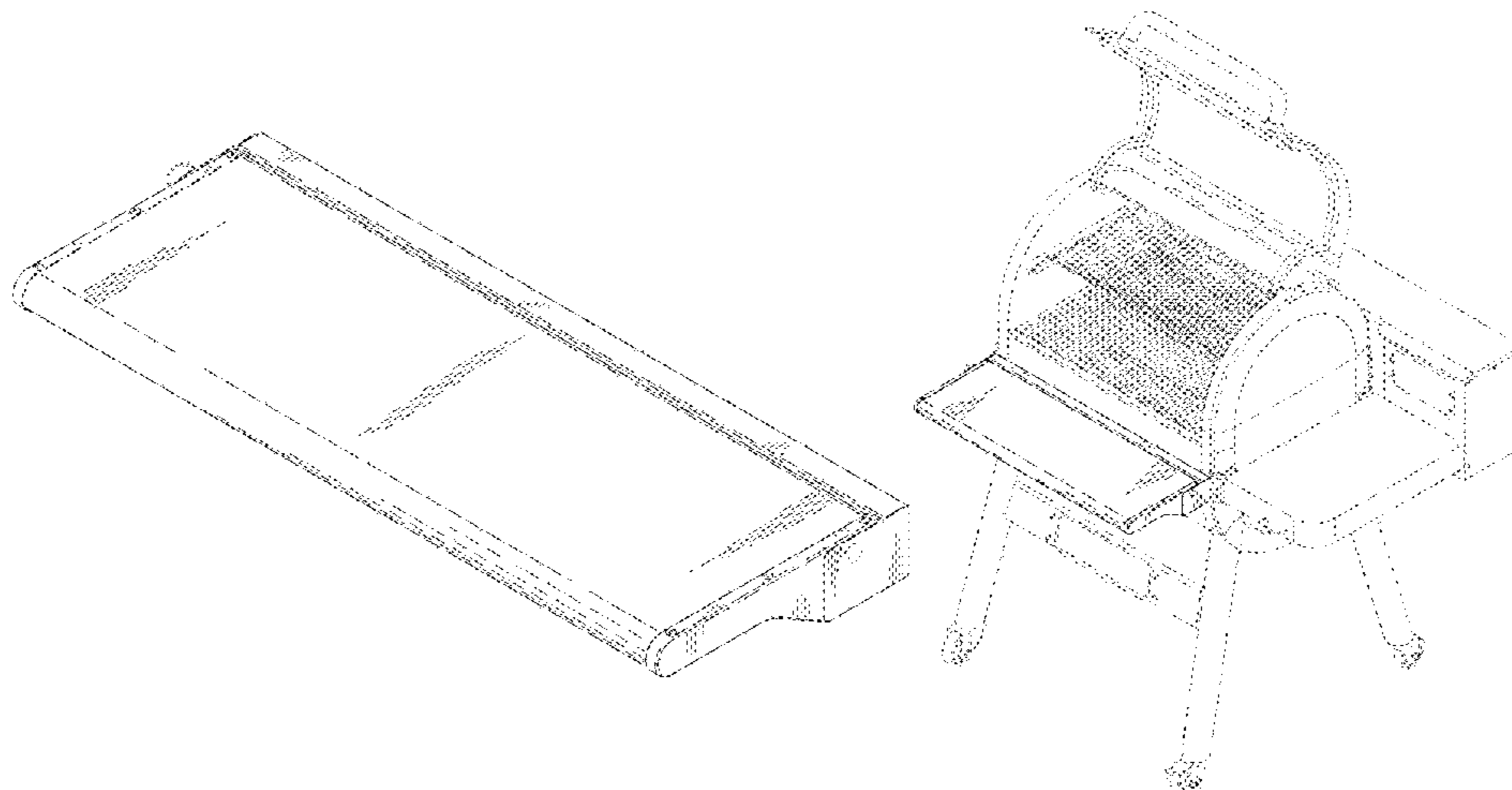
FIG. 13 is a top view of the table unit of FIG. 8.

FIG. 14 is a bottom view of the table unit of FIG. 8.

FIG. 15 is a perspective view of the example table unit of  
FIG. 1, with the table unit shown mounted to an example  
cooking apparatus, and with the adjustable table shown in  
the erected position of FIG. 1; and,

FIG. 16 is a perspective view of the example table unit of  
FIG. 1, with the table unit shown mounted to the cooking  
apparatus of FIG. 15, and with the adjustable table shown in  
the collapsed position of FIG. 8.

(Continued)



The features shown in broken lines form no part of the claimed design.

The lighter solid lines denote surfaces and contours. Line shading is not surface ornamentation.

**1 Claim, 12 Drawing Sheets**

(58) **Field of Classification Search**

CPC .... A47B 1/02; A47B 5/00; A47B 3/12; A47F 2009/041

See application file for complete search history.

(56)

**References Cited**

U.S. PATENT DOCUMENTS

D222,870	S	*	1/1972	Bearinger	.....	D7/332
D266,463	S	*	10/1982	Scott	.....	D6/642
D282,421	S	*	2/1986	Lewellen	.....	D6/642
D292,765	S		11/1987	Esslinger et al.		
4,770,157	A	*	9/1988	Shepherd	.....	A47J 37/0713 126/25 R
4,895,068	A	*	1/1990	Hanagan	.....	A47J 37/0713 99/357
D309,540	S	*	7/1990	Suttles	.....	D6/699.5
5,033,449	A	*	7/1991	Hanagan	.....	F24C 3/14 126/41 R
D346,529	S	*	5/1994	Honaker	.....	D7/405
D377,126	S	*	1/1997	Foco	.....	A47J 37/0704 D6/664
D385,429	S	*	10/1997	Biggel	.....	A47J 37/0713 D6/664
D404,963	S	*	2/1999	Schlosser	.....	D7/334
D433,279	S	*	11/2000	Schlosser	.....	D7/334
6,209,533	B1	*	4/2001	Ganard	.....	A47J 37/0704 126/25 R
6,308,616	B1	*	10/2001	Johnson	.....	A47J 37/0786 126/41 R
D462,227	S	*	9/2002	Alden	.....	D7/334
D466,367	S	*	12/2002	Johnson	.....	A47J 37/0709 D7/402
D473,095	S	*	4/2003	Nguyen	.....	D7/334
6,619,600	B1	*	9/2003	Johnson	.....	A47J 37/0704 126/41 R
D568,648	S	*	5/2008	Roussel	.....	D6/705.1
9,186,020	B1	*	11/2015	Phillips	.....	A47J 37/0709
D776,481	S	*	1/2017	Moss	.....	D7/406
D820,023	S	*	6/2018	Zhou	.....	D7/334
D827,371	S	*	9/2018	Colston	.....	D7/408
D897,769	S		10/2020	Harrell et al.		
D914,429	S	*	3/2021	Bennion	.....	F24B 1/202 D7/334
D915,812	S	*	4/2021	Bennion	.....	D7/334
D945,208	S	*	3/2022	Duan	.....	D7/334
2017/0065124	A1	*	3/2017	Colston	.....	A47J 37/0704
2020/0040926	A1	*	2/2020	Colston	.....	F16M 11/16
2020/0214501	A1	*	7/2020	Gafford	.....	F23K 3/14

FOREIGN PATENT DOCUMENTS

KR	300890880.0000	*	1/2017
WO	D090098-001	*	9/2016

OTHER PUBLICATIONS

Melanie Yates, "10 Convertible Drop-Leaf Tables to Conjure up Extra Entertaining Space," Apr. 1, 2016, bestproducts.com, site

visited May 6, 2022, URL: <https://www.bestproducts.com/home/decor/g1386/drop-leaf-dining-tables/> (Year: 2016).\*

"DMT Stainless Wall Shelf," Jun. 9, 2017, amazon.ca, site visited May 6, 2022, URL: <https://www.amazon.com/DMT-Stainless-Wall-Shelf-Deep/dp/B00II64R5W> (Year: 2017).\*

"Grisun Charcoal Grill Table Shelf," Oct. 10, 2019, amazon.com, site visited May 5, 2022, URL: <https://www.amazon.com/Grisun-Charcoal-Original-Replaces-Barbecue/dp/B07YY27PR2> (Year: 2019).\*  
OhRion, "Nice Accessory BBQ Table," Jan. 28, 2019 (review), amazon.com, site visited May 5, 2022, URL: <https://www.amazon.com/BBQ-Dragon-Charcoal-Accessories-Barbecue/dp/B06X9G3V63> (Year: 2019).\*

China National Intellectual Property Administration, "Notice of Decision of Grant of Patent Right," issued in connection with Chinese Patent Application No. 202030265785.1, dated Aug. 13, 2020, 4 pages.

European Union Intellectual Property Office, "Certificate of Registration Nos. 008019848-0001 to -0002," issued in connection with European Patent Application No. 008019848, dated Jun. 23, 2020, 9 pages.

European Union Intellectual Property Office, "Certificate of Registration Nos. 008018832-0001 to -0004," issued in connection with European Patent Application No. 008018832, dated Jun. 23, 2020, 16 pages.

IP Australia, "Certificate of Registration," issued in connection with Design Application No. 202013044, dated Jul. 9, 2020, 14 pages.

IP Australia, "Certificate of Registration," issued in connection with Design Application No. 202013045, dated Jul. 9, 2020, 14 pages.

IP Australia, "Certificate of Examination," issued in connection with Design Application No. 202013044, dated Dec. 8, 2020, 2 pages.

Canadian Intellectual Property Office, "Notice of Registration," issued in connection with Canadian Patent Application No. 196133, dated Nov. 1, 2021, 16 pages.

IP Australia, "Certificate of Examination," issued in connection with Design Application No. 202013045, dated Dec. 8, 2020, 2 pages.

IP Australia, "Notice of Correction to the Register," issued in connection with Design Application No. 202013045, dated Nov. 25, 2020, 1 page.

Canadian Intellectual Property Office, "Notice of Registration," issued in connection with Canadian Patent Application No. 196134, dated Mar. 16, 2022, 27 pages.

IP Australia, "Certificate of Registration," issued in connection with Design Application No. 202013043, dated Jul. 9, 2020, 15 pages.

IP Australia, "Certificate of Examination," issued in connection with Design Application No. 202013043, dated Dec. 7, 2020, 2 pages.

Canadian Intellectual Property Office, "Notice of Registration," issued in connection with Canadian Patent Application No. 196135, dated Oct. 28, 2021, 16 pages.

European Union Intellectual Property Office, "Certificate of Registration Nos. 008018832-0001 to -0002," issued in connection with European Patent Application No. 008018360 dated Jun. 23, 2020, 10 pages.

European Union Intellectual Property Office, "Certificate of Registration Nos. 008018360-0001 to -0002," issued in connection with European Patent Application No. 008018360 dated Jun. 23, 2020, 10 pages.

China National Intellectual Property Administration, "Certificate of Patent," issued in connection with Chinese Patent Application No. 202030265785.1, dated Sep. 29, 2020, 3 pages.

United States Patent and Trademark Office, "Notice of Allowance and Fee(s) Due," issued in connection with U.S. Appl. No. 29/724,276, dated Jun. 2, 2022, 7 pages.

\* cited by examiner

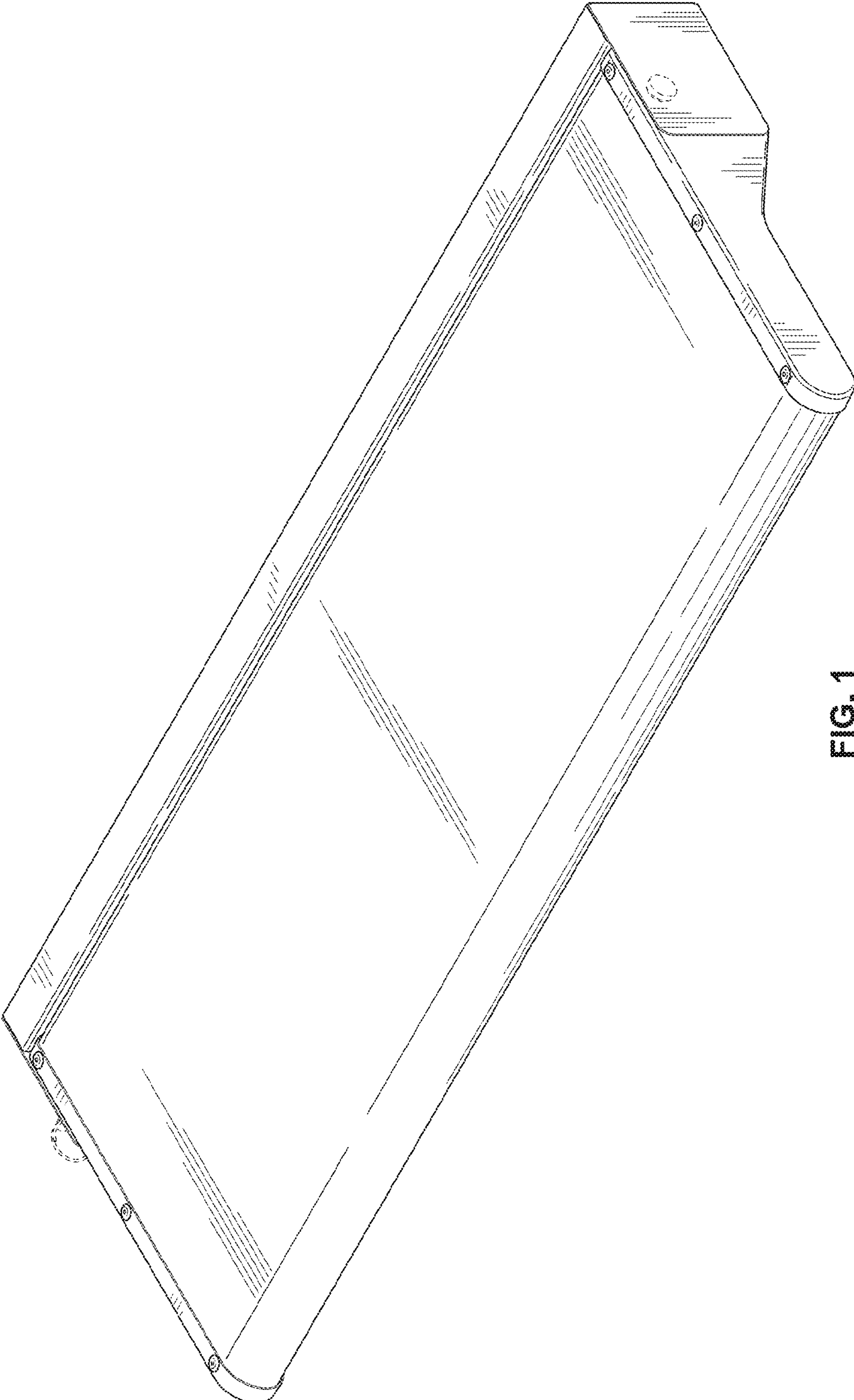


FIG. 1

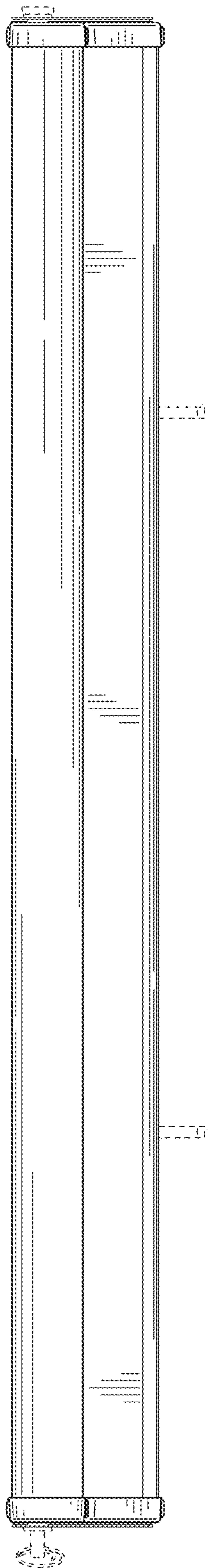


FIG. 2

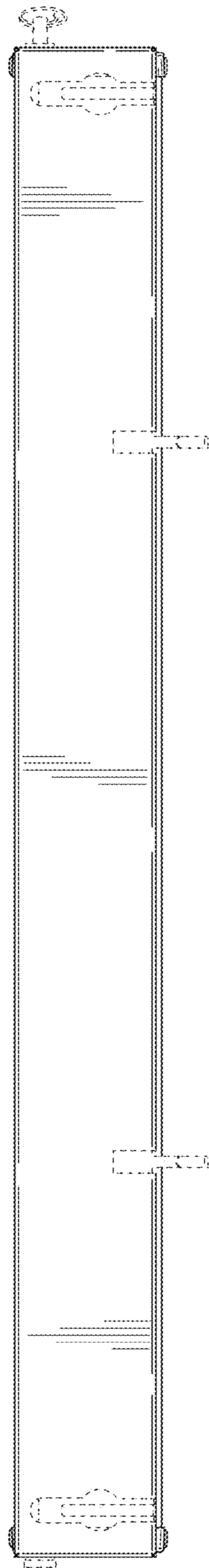


FIG. 3

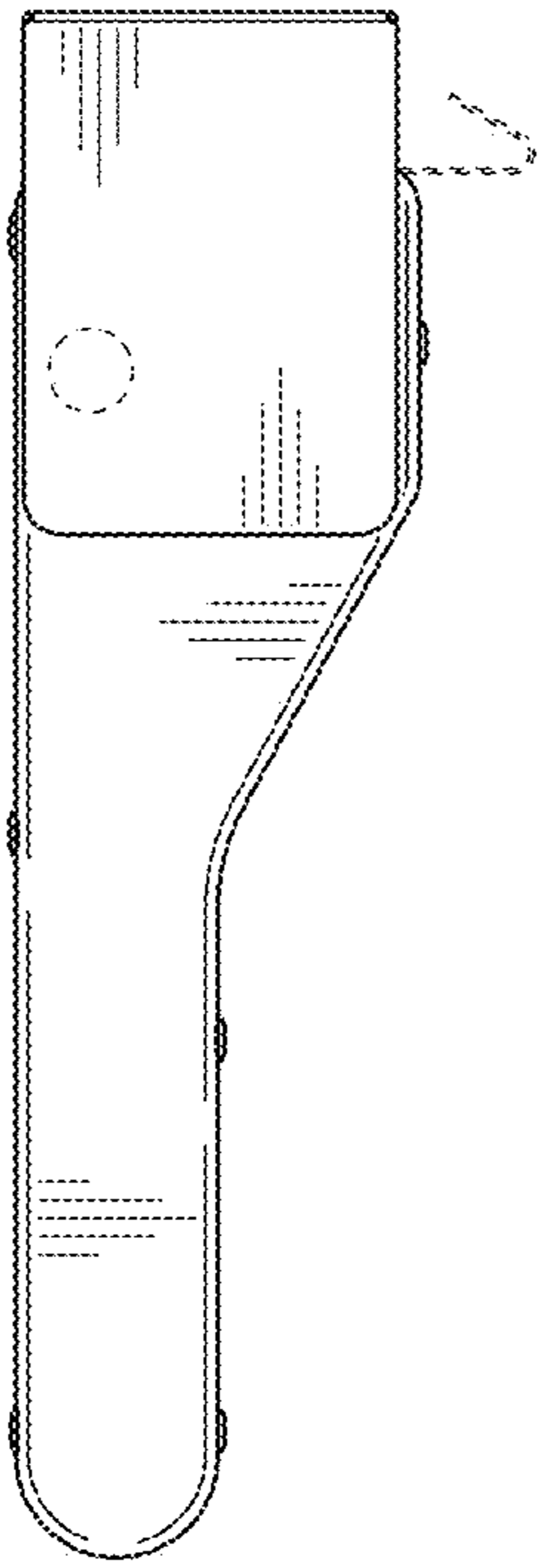


FIG. 4

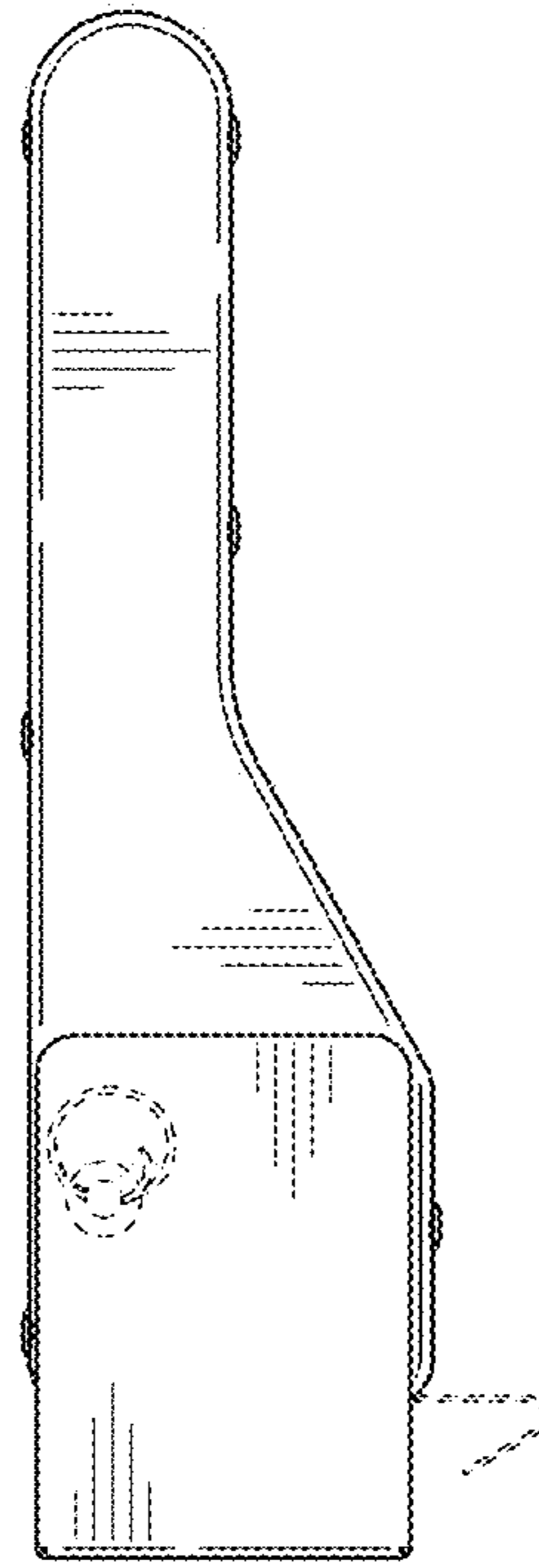


FIG. 5

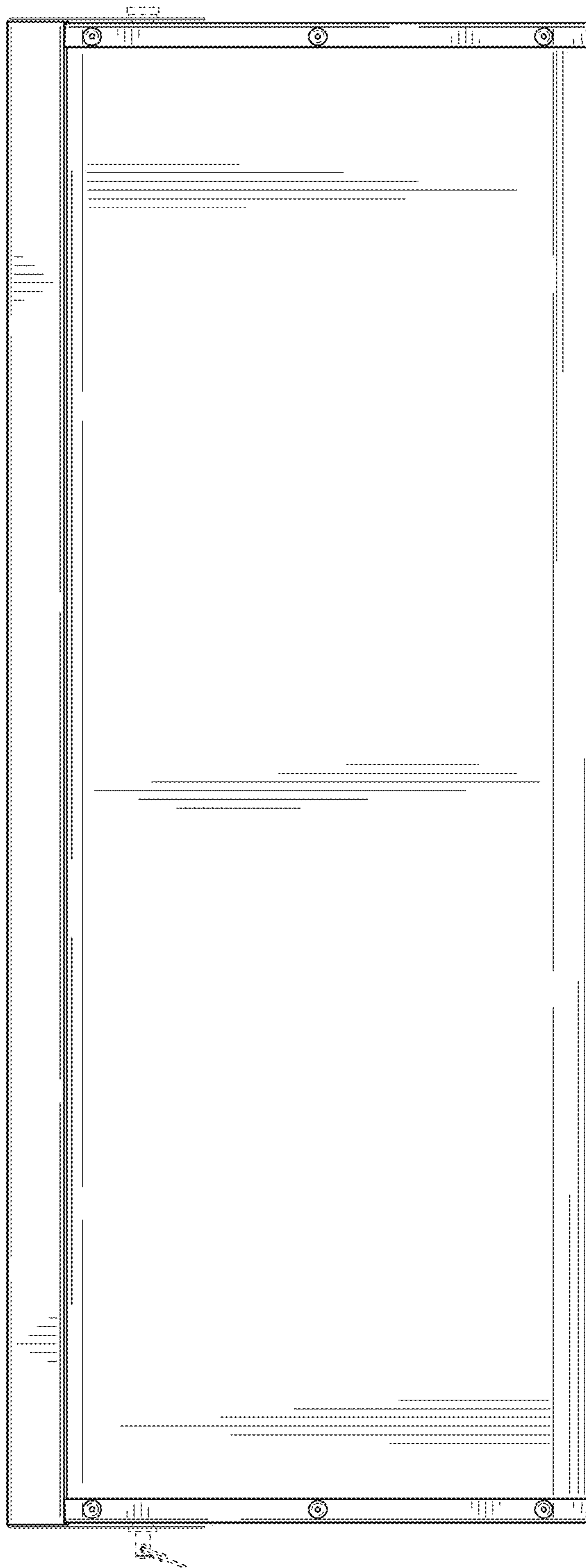


FIG. 6

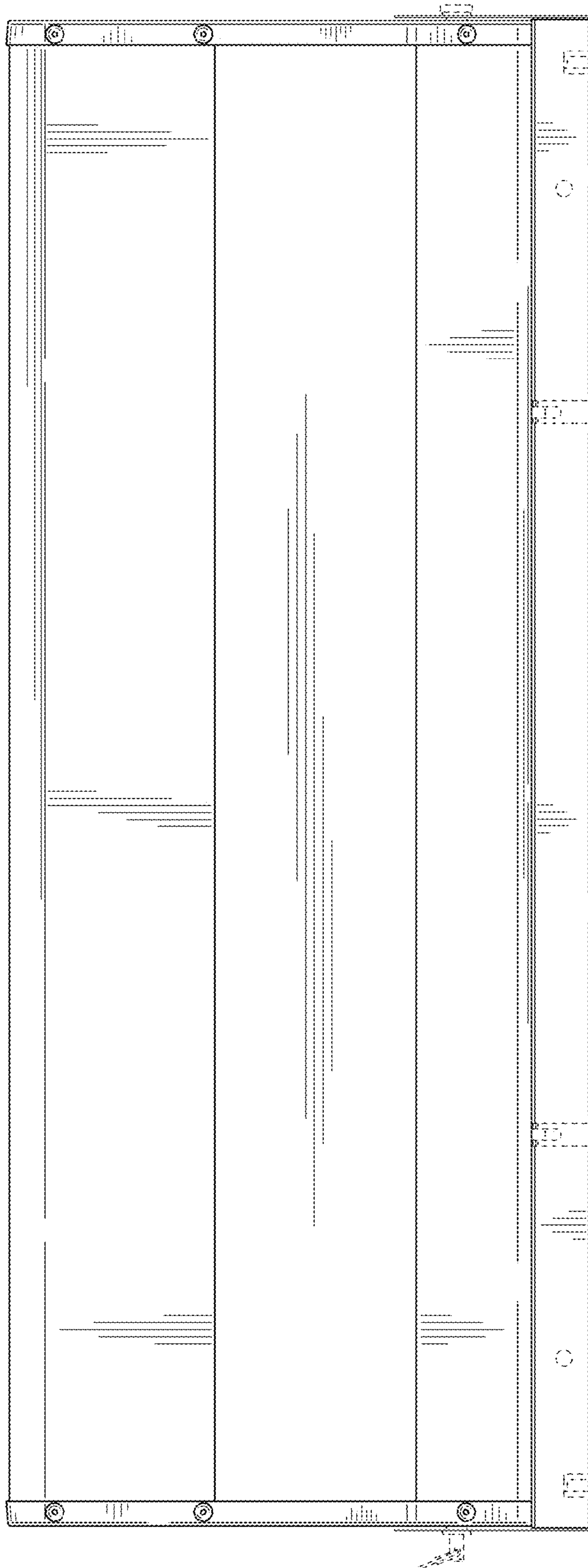


FIG. 7

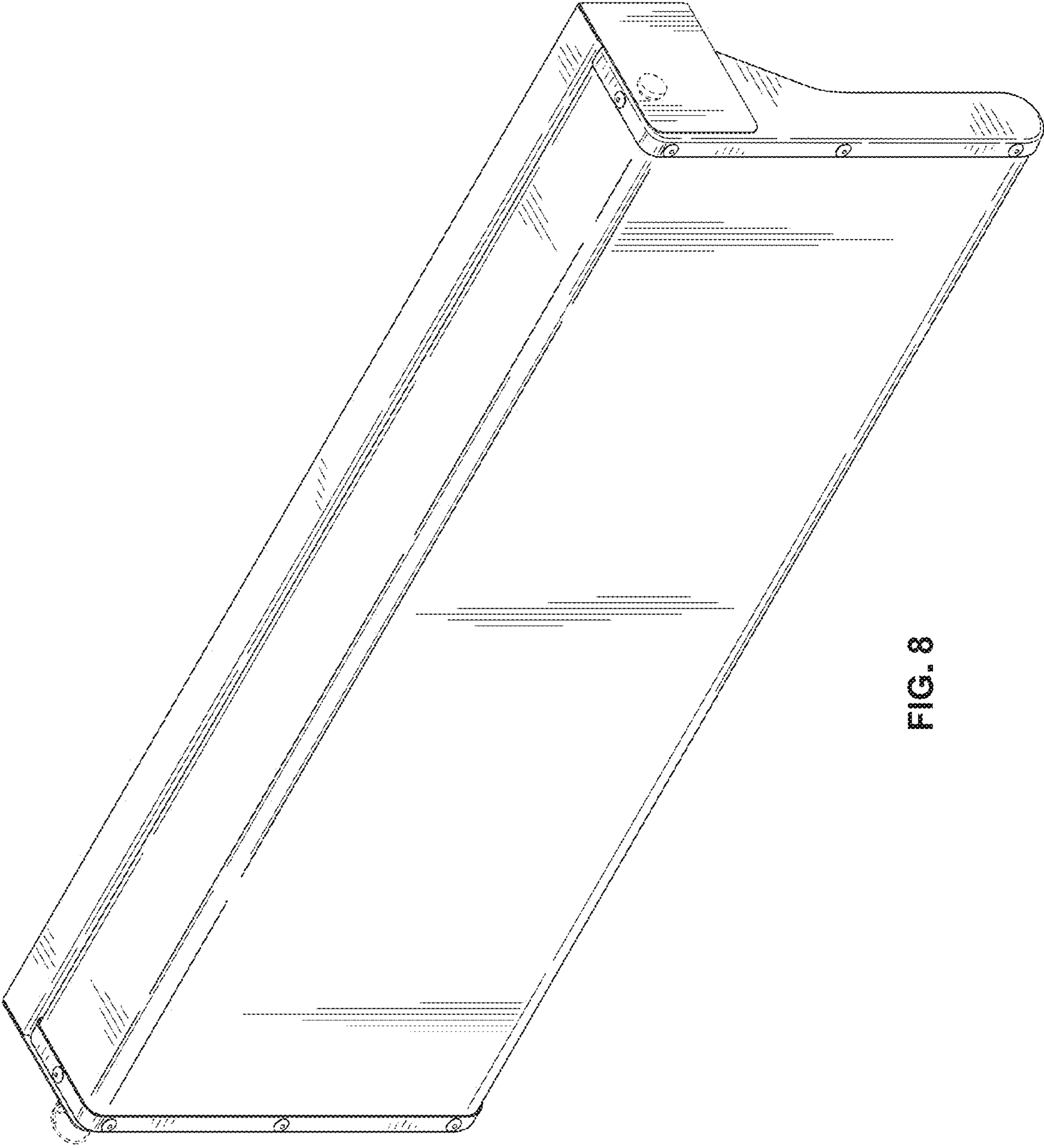


FIG. 8



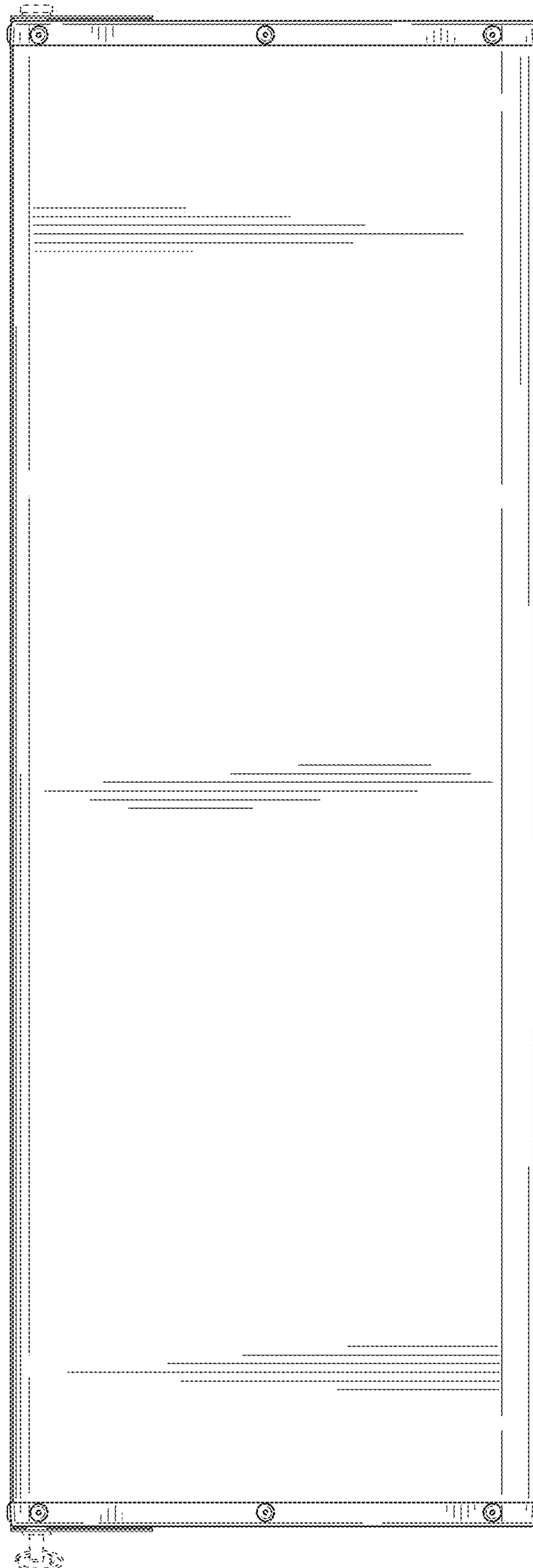


FIG. 9

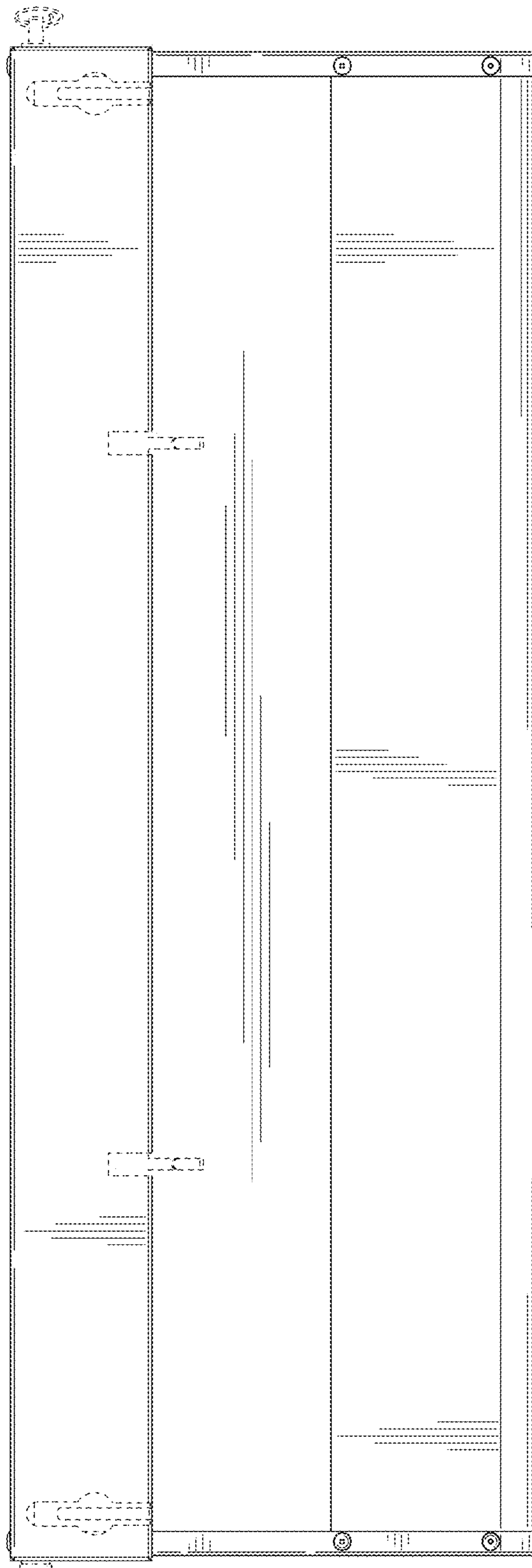


FIG. 10

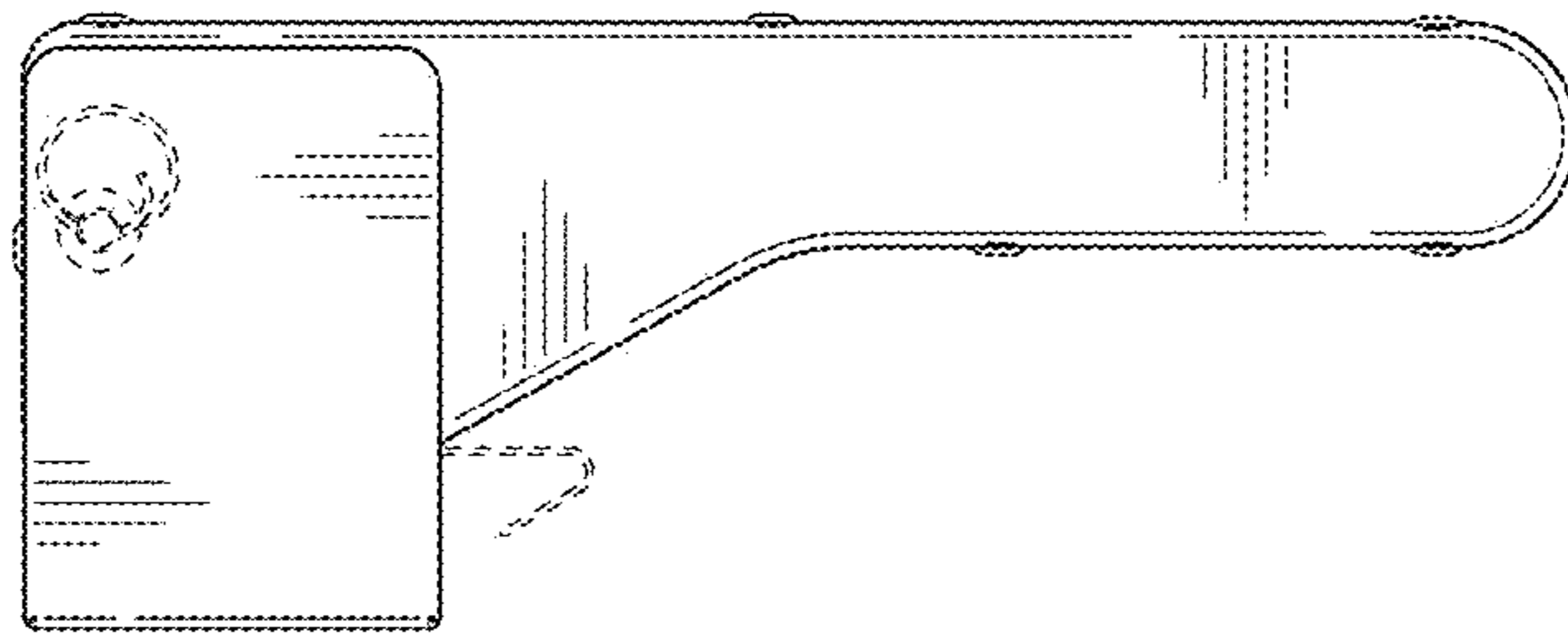


FIG. 12

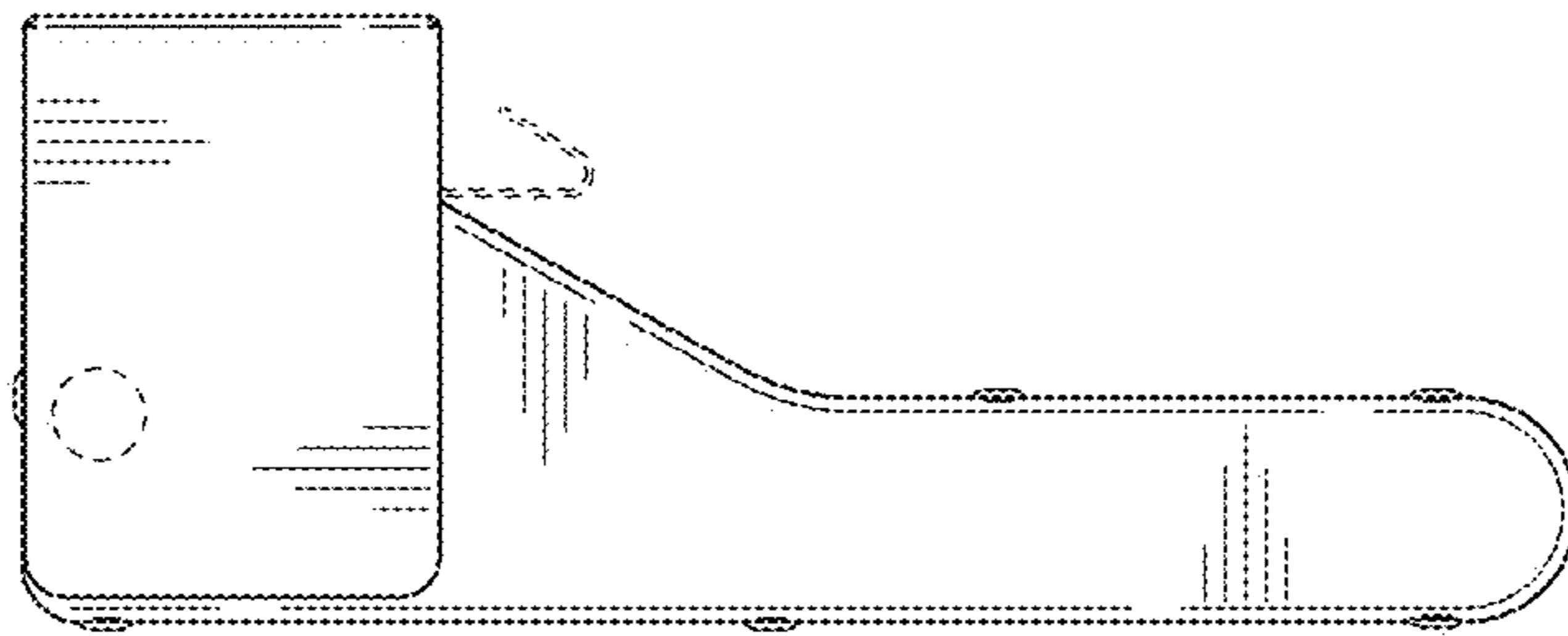


FIG. 11

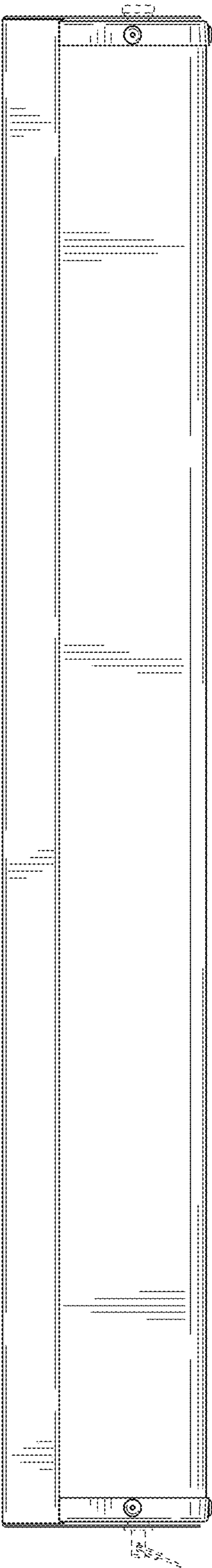


FIG. 13

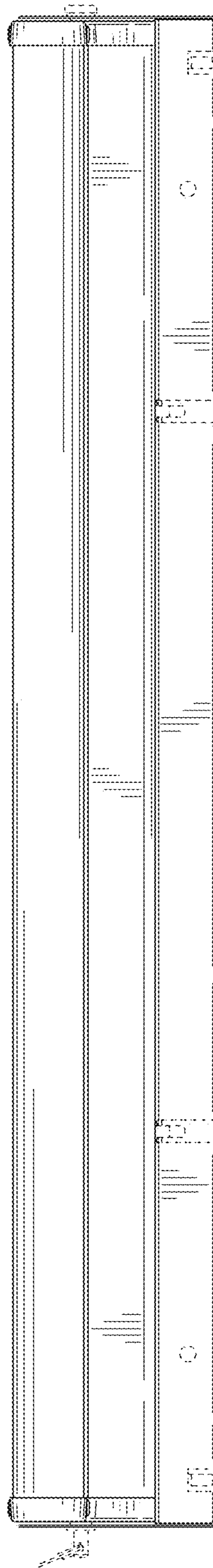


FIG. 14

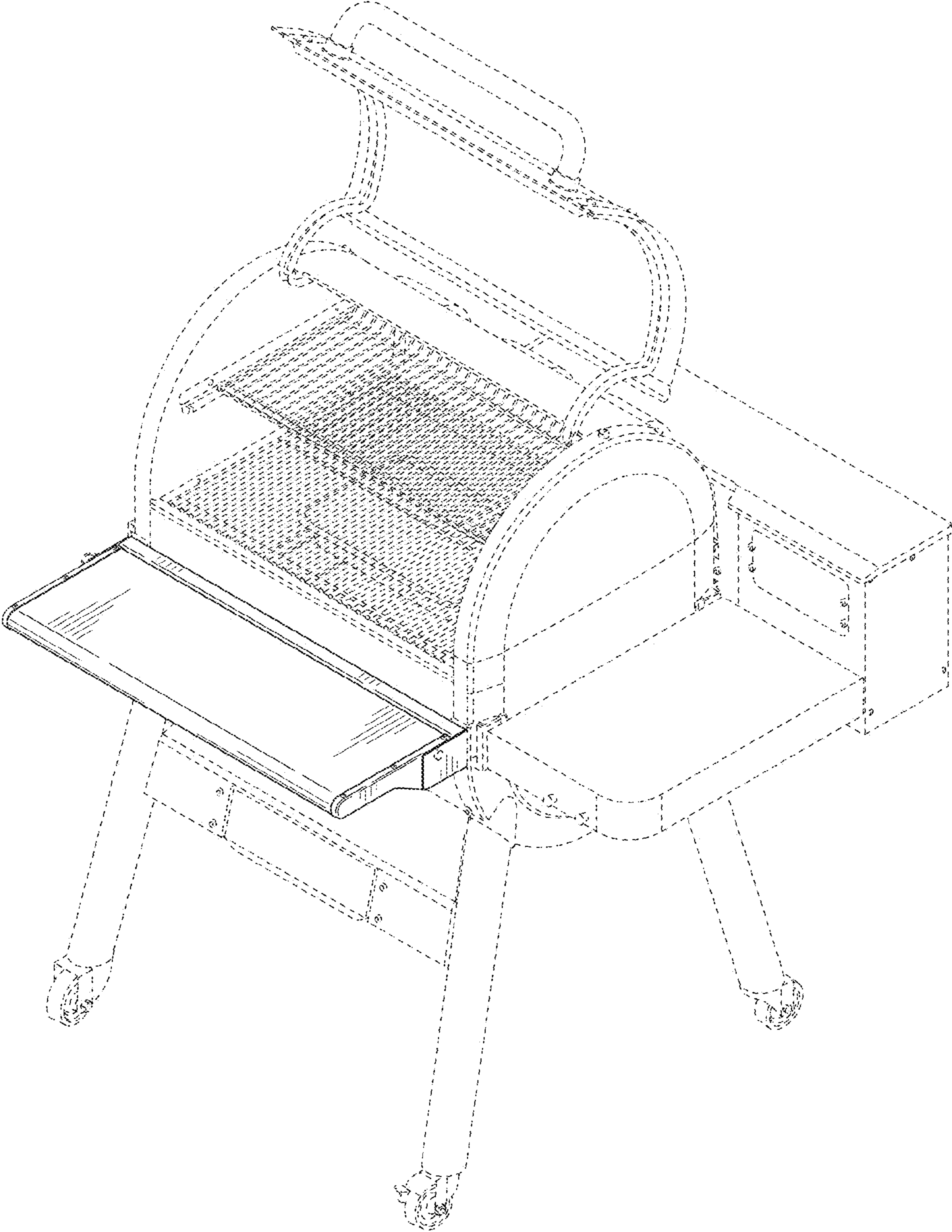


FIG. 15

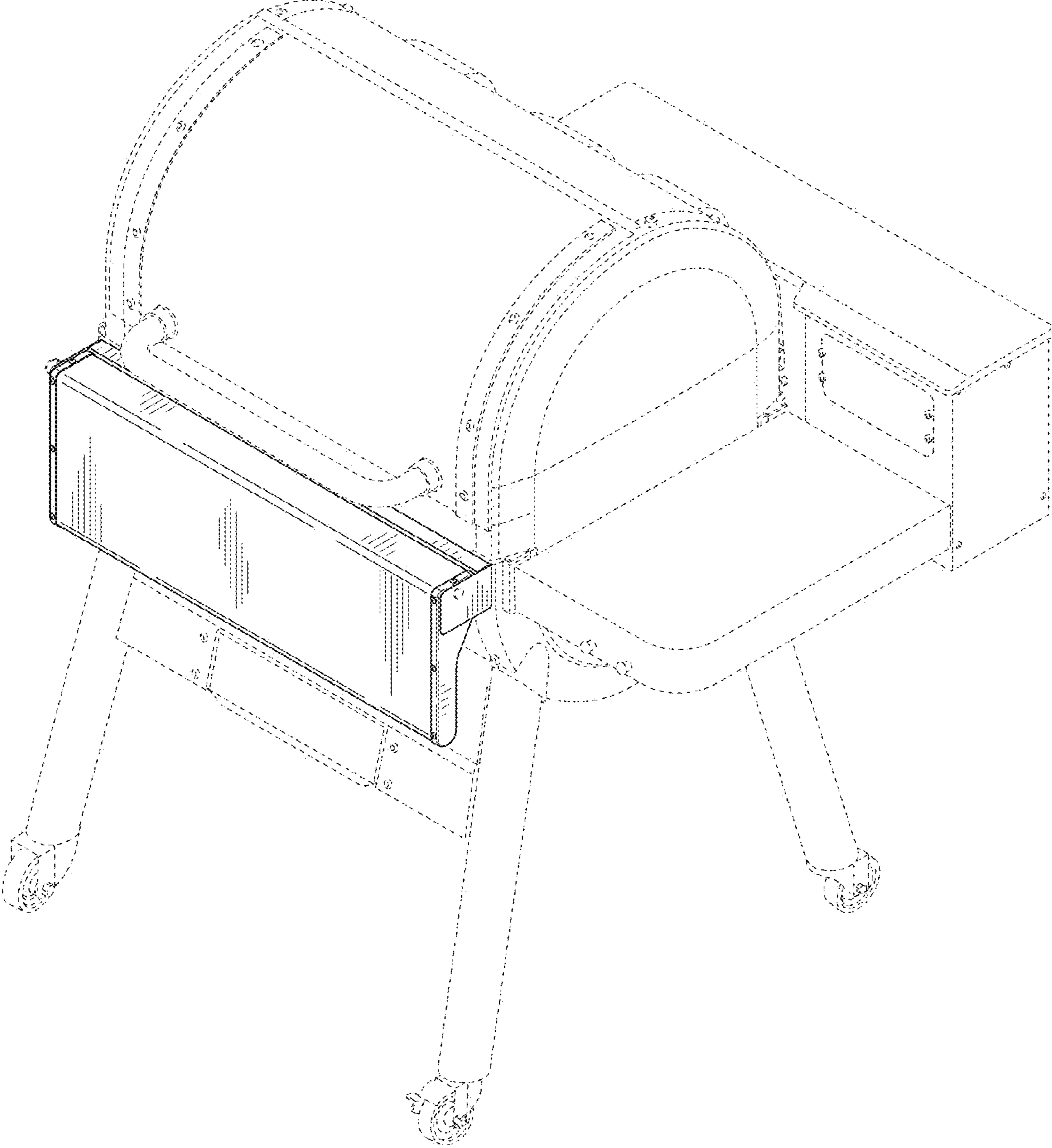


FIG. 16