



US00D959902S

(12) **United States Design Patent**
Meda

(10) **Patent No.:** **US D959,902 S**

(45) **Date of Patent:** **** Aug. 9, 2022**

- (54) **COOKTOP COVER**
- (71) Applicant: **Dometic Sweden AB**, Solna (SE)
- (72) Inventor: **Samuele Meda**, Chichester (GB)
- (73) Assignee: **Dometic Sweden AB**, Solna (SE)

6,712,605 B2 3/2004 Moresco
 D594,276 S * 6/2009 Hamlin D7/402
 D599,608 S 9/2009 Grumm
 D613,117 S * 4/2010 Richburg D7/409
 D618,503 S * 6/2010 Baacke D7/402
 D628,015 S * 11/2010 Baacke D7/402
 D697,756 S 1/2014 Segers et al.

(Continued)

(**) Term: **15 Years**

FOREIGN PATENT DOCUMENTS

(21) Appl. No.: **29/749,252**

AU 201612736 6/2016
 AU 201612737 6/2016

(Continued)

(22) Filed: **Sep. 3, 2020**

(51) **LOC (13) Cl.** **07-02**

(52) **U.S. Cl.**

USPC **D7/405**

(58) **Field of Classification Search**

USPC D7/402-409, 332-337, 339-341,
 D7/346-349, 352, 354-355, 362-363,
 D7/338; D6/552

CPC F24C 15/16; F24C 15/12; F24C 15/10;
 F24C 7/083; F24C 3/082; F24C 3/085;
 A47J 37/07; A47J 37/0704

See application file for complete search history.

OTHER PUBLICATIONS

Dometic 2016 Product Catalog—Cooking (2016).

(Continued)

Primary Examiner — Sheryl Lane

Assistant Examiner — Nicole C Shiflet

(74) *Attorney, Agent, or Firm* — Middleton Reutlinger

(57)

CLAIM

The ornamental design for a cooktop cover, as shown and described.

(56) **References Cited**

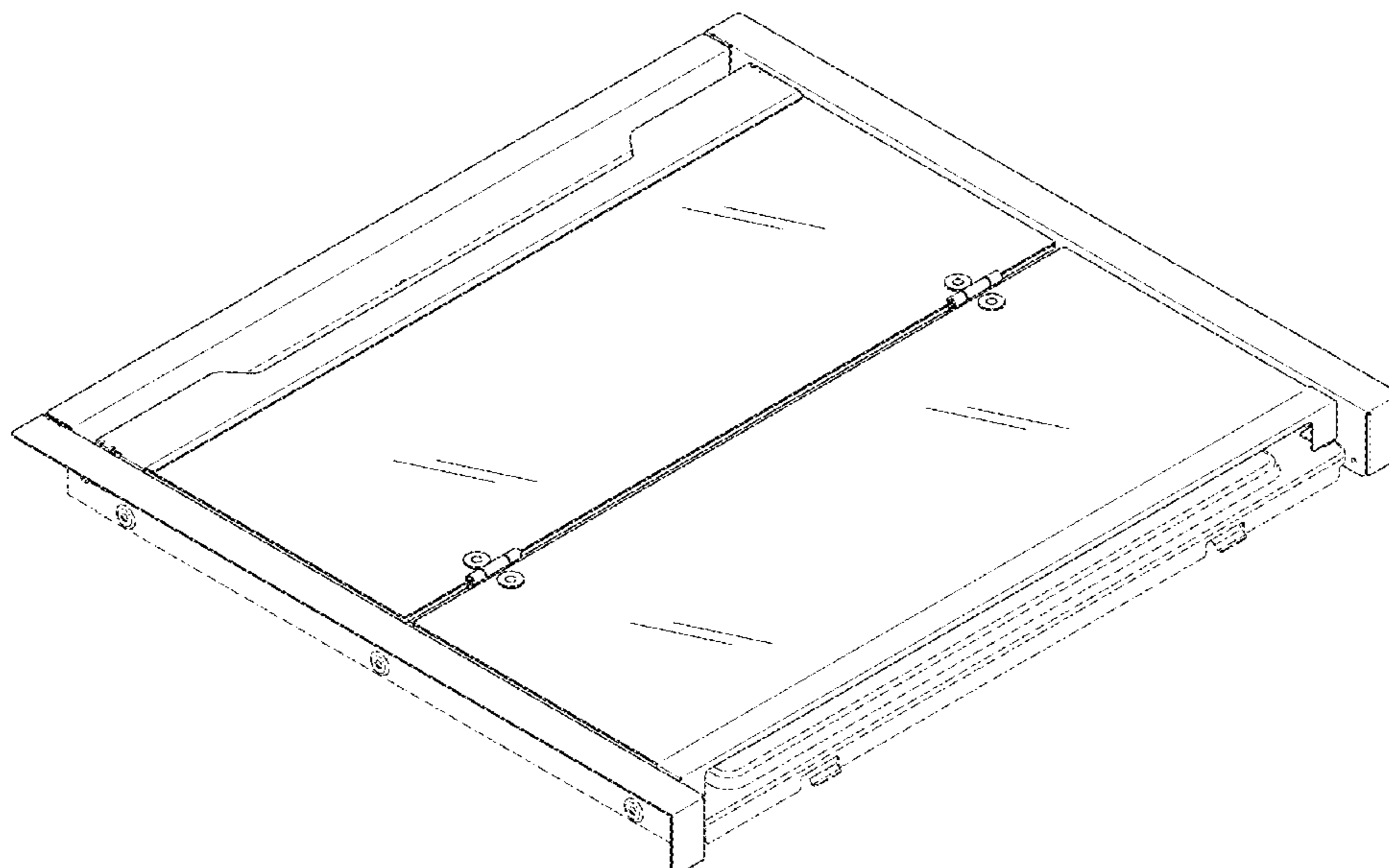
U.S. PATENT DOCUMENTS

5,403,183 A 4/1995 Andersson
 D367,802 S 3/1996 Lewis et al.
 D372,630 S 8/1996 Lewis et al.
 D392,501 S 3/1998 Ashcraft
 D392,502 S 3/1998 Ashcraft
 D393,567 S 4/1998 Ashcraft
 D393,774 S 4/1998 Ashcraft
 5,931,151 A 8/1999 Van Dore
 D460,320 S 7/2002 Becker et al.
 D468,964 S 1/2003 Becker et al.
 D479,781 S 9/2003 Pottenger
 D479,942 S 9/2003 Pottenger
 D480,261 S 10/2003 Pottenger
 D486,690 S 2/2004 Becker et al.

DESCRIPTION

FIG. 1 is an upper perspective view of a cooktop cover;
 FIG. 2 a front view of the cooktop cover of FIG. 1;
 FIG. 3 is a rear view of the cooktop cover of FIG. 1;
 FIG. 4 is a top view of the cooktop cover of FIG. 1;
 FIG. 5 is a first side view of the cooktop cover of FIG. 1;
 and,
 FIG. 6 is a second side view of the cooktop cover of FIG. 1.
 The broken lines shown in the drawings are included for the purpose of illustrating unclaimed portions of the cooktop cover. The broken lines form no part of the claimed design.

1 Claim, 4 Drawing Sheets



US D959,902 S

(56)

References Cited

U.S. PATENT DOCUMENTS

D704,508 S	5/2014	Nordwall	
D710,148 S *	8/2014	Mainville	D7/402
D755,564 S *	5/2016	Lee	D7/409
D782,863 S	4/2017	Kamper et al.	
D784,077 S *	4/2017	Zemel	D7/409
D793,162 S *	8/2017	Hamlin	D7/409
D804,245 S	12/2017	Segers et al.	
D810,493 S	2/2018	Harrell	
D835,462 S	12/2018	Kamper et al.	
D839,038 S	1/2019	Bell	
D847,566 S	5/2019	Kamper et al.	
D851,439 S	6/2019	Harrell	
D851,440 S *	6/2019	Berge	D7/362
D851,978 S	6/2019	Bell	
D851,979 S	6/2019	Bell	
D851,990 S	6/2019	Bell	
10,345,027 B1	7/2019	Lundqvist	
D862,163 S *	10/2019	Jung	D7/402
D870,505 S	12/2019	Chevalier	
D871,824 S	1/2020	Chevalier	
D872,516 S	1/2020	Bell	
D873,062 S	1/2020	Bell	
10,527,292 B2	1/2020	Bell	
D874,209 S	2/2020	Harrell	
D893,238 S	8/2020	Bell	
D894,663 S	9/2020	Harrell	
D896,018 S	9/2020	Harrell	
D896,584 S	9/2020	Harrell	
10,775,049 B2	9/2020	Bell	
D897,769 S	10/2020	Harrell	
D907,951 S	1/2021	Bell	
D920,027 S	5/2021	Harrell	
11,029,032 B2	6/2021	Harrell	
D924,003 S	7/2021	Harrell et al.	
D931,048 S	9/2021	Knöll	
2005/0095547 A1	5/2005	Pottenger	
2010/0192933 A1	8/2010	Andersson	
2018/0156468 A1	6/2018	Bell	
2019/0346150 A1	11/2019	Bell	
2019/0346151 A1	11/2019	Bell	
2020/0171996 A1	6/2020	Chevalier	

FOREIGN PATENT DOCUMENTS

AU	201612738	6/2016
AU	201612739	6/2016
AU	201612740	6/2016
AU	201612742	6/2016
AU	201612745	6/2016

AU	201612747	6/2016
AU	201612749	6/2016
AU	201612751	6/2016
AU	201713974	7/2017
AU	201713975	7/2017
AU	201716395	11/2017
AU	201716396	11/2017
AU	201915177	10/2019
AU	201915179	10/2019
AU	201915180	10/2019
AU	201915181	10/2019
AU	201915182	10/2019
AU	2018288433	2/2020
CN	1461395	12/2003
CN	101677717	3/2010
CN	110785318	2/2020
CN	305638873	3/2020
CN	305659107	3/2020
CN	305721501	4/2020
CN	305721502	4/2020
CN	305749061	5/2020
DE	4103048	8/1992
DE	4103049	8/1992
DE	4307073	9/1994
DE	19500263	7/1996
DE	69219319	8/1997
DE	29708207	9/1997
DE	19917488	11/2000
DE	10053679	5/2002
DE	60228219	9/2008
DE	102008044898	6/2019
DE	112018003148	4/2020
EP	1377779	8/2008
EP	2227658	9/2010
EP	2341294	2/2017
EP	3438548	2/2019
WO	2008058566	5/2008
WO	2009014487	1/2009
WO	2015009224	1/2015
WO	2018234979	12/2018

OTHER PUBLICATIONS

Design U.S. Appl. No. 29/749,252, filed Sep. 3, 2020 titled Cooktop Cover.
 Design U.S. Appl. No. 29/749,253, filed Sep. 3, 2020 titled Stove Grate.
 Design U.S. Appl. No. 29/715,462, filed Dec. 2, 2019 titled Stove Grate.
 Ex Parte Quayle Action Issued in U.S. Appl. No. 29/749,253 mailed on Jan. 14, 2022.

* cited by examiner

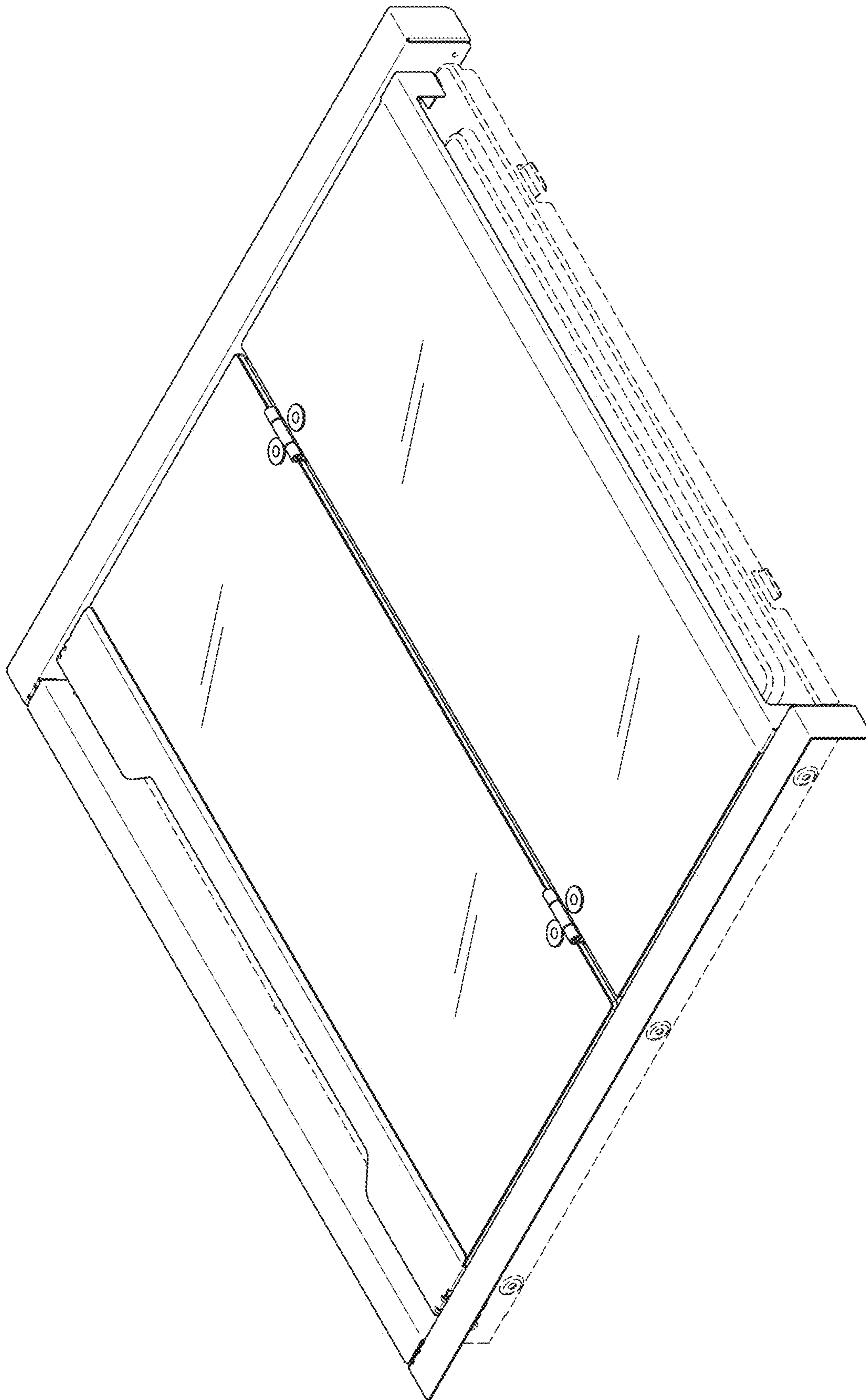


FIG. 1

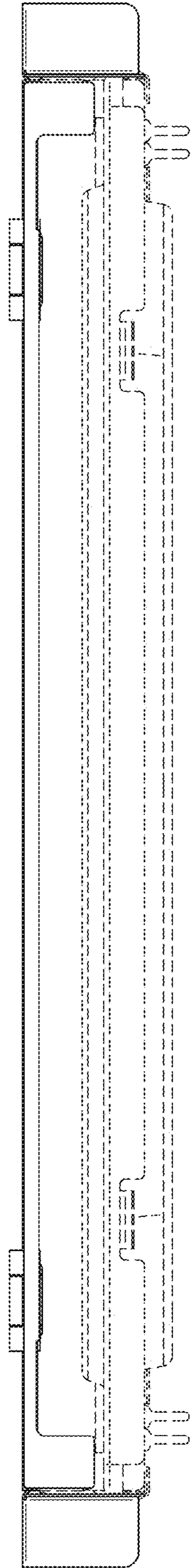


FIG. 2

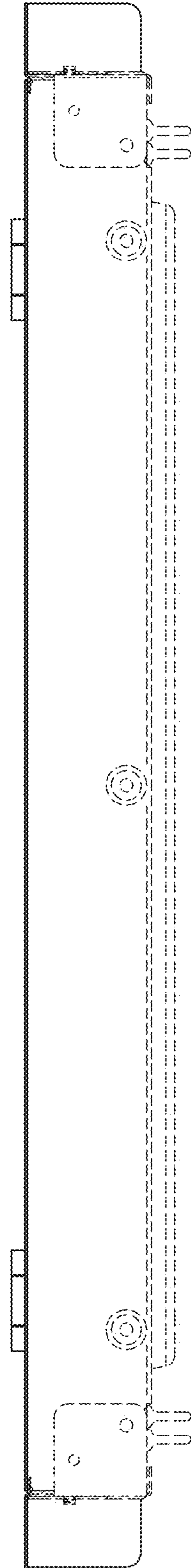


FIG. 3

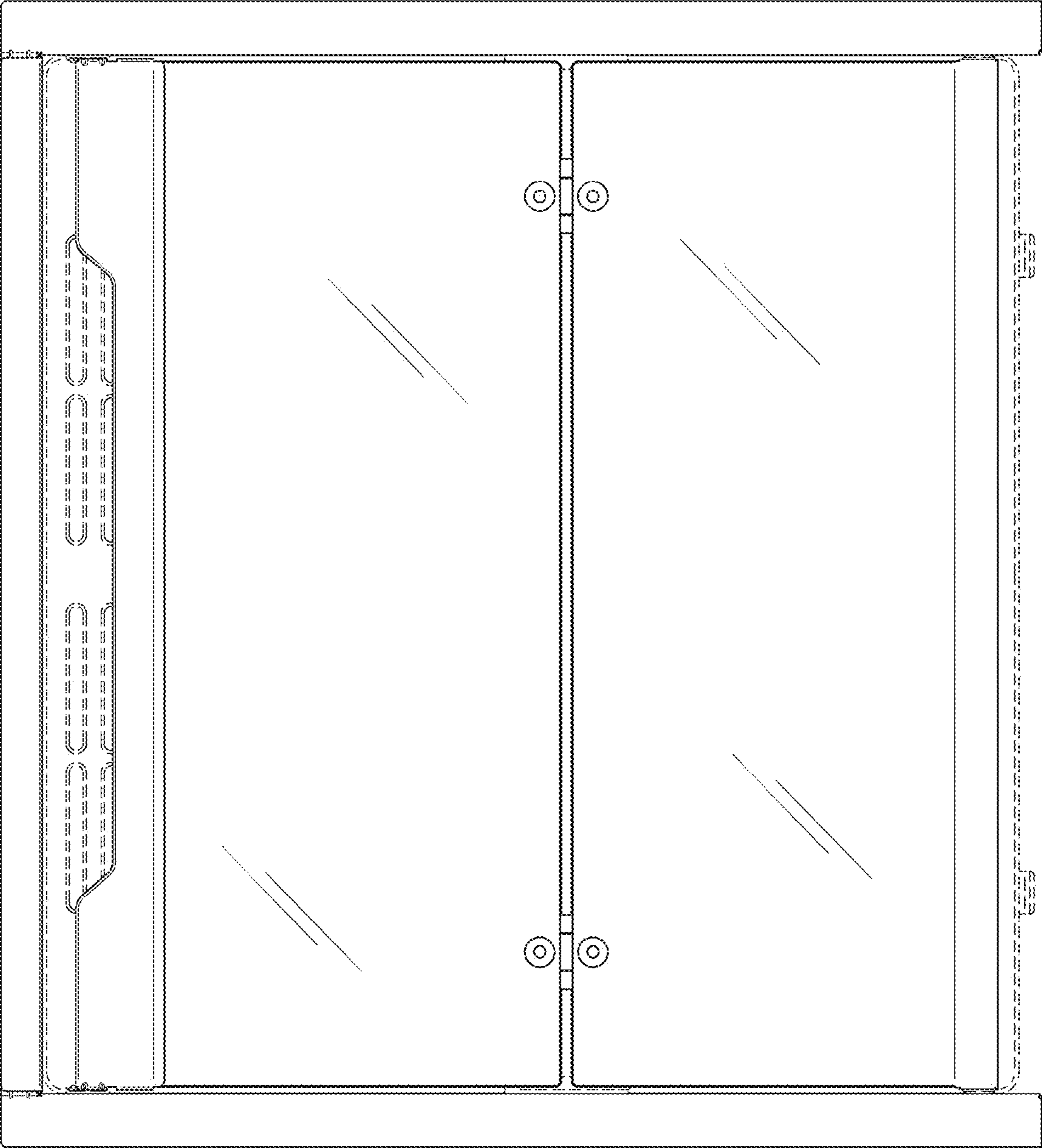


FIG. 4

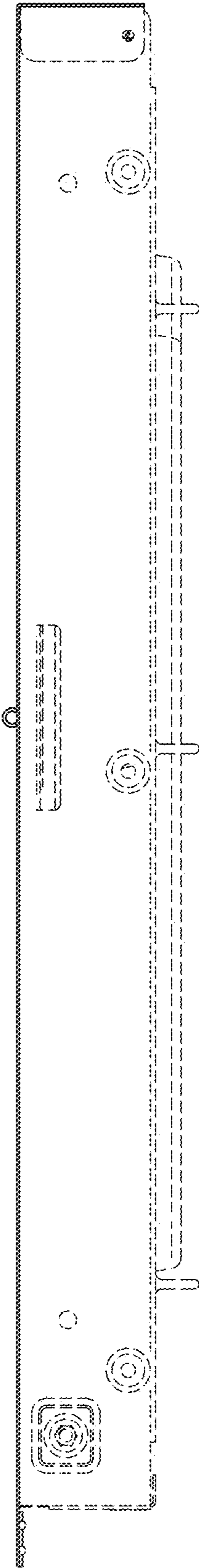


FIG. 5

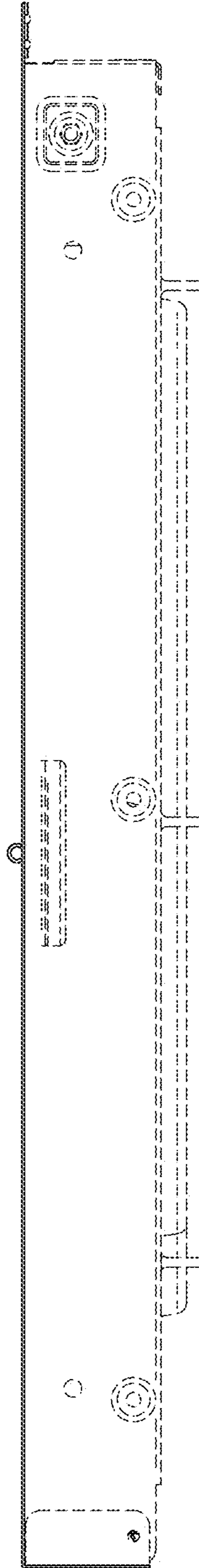


FIG. 6