



US00D959896S

(12) **United States Design Patent**
Sun

(10) **Patent No.:** **US D959,896 S**

(45) **Date of Patent:** **** Aug. 9, 2022**

(54) **SILICONE SLEEVE BAMBOO LID**

(71) Applicant: **Shuangfeng County Shuangwei Electronic Technology Co., Ltd., Loudi (CN)**

(72) Inventor: **Zhuo Sun, Loudi (CN)**

(**) Term: **15 Years**

(21) Appl. No.: **29/829,771**

(22) Filed: **Mar. 8, 2022**

(51) **LOC (13) Cl.** **07-01**

(52) **U.S. Cl.**
USPC **D7/392.1; D7/391**

(58) **Field of Classification Search**
USPC D7/310, 319, 323, 354–363, 391, 392, D7/392.1, 393–396, 396.2, 401.1, 510, D7/511; D9/435, 440, 447, 453, 454, D9/504, 523
CPC A47G 19/027; A47G 19/12; A47J 27/00; A47J 27/002; A47J 27/08; A47J 27/13; A47J 27/21; A47J 27/58; A47J 36/025; A47J 36/027; A47J 36/06; A47J 36/12; A47J 37/00; A47J 37/0704; A47J 37/10; A47J 37/101; A47J 37/103; A47J 37/12; A47J 37/1204; A47J 39/02; A47J 45/061; A47J 45/071; A47J 45/08; B65D 41/0407; H05B 6/12; H05B 6/804; H05B 6/6494; A61J 1/2093; A61J 11/00; B65B 61/02

See application file for complete search history.

(56) **References Cited**

U.S. PATENT DOCUMENTS

D319,980 S * 9/1991 Garner D9/454
5,354,274 A * 10/1994 Demeter A61J 11/00
215/11.1
5,425,471 A * 6/1995 Wendt B65B 61/02
215/388

5,794,802 A * 8/1998 Caola A61J 1/2093
215/11.1
D512,636 S * 12/2005 Pace D9/504
D640,094 S * 6/2011 Carlson D7/532
D642,057 S * 7/2011 Reed D9/453
D720,962 S * 1/2015 Coon D7/510
D721,920 S * 2/2015 Coon D7/510
D753,950 S * 4/2016 Feeley D7/392.1

(Continued)

Primary Examiner — Ricky Pham

(57) **CLAIM**

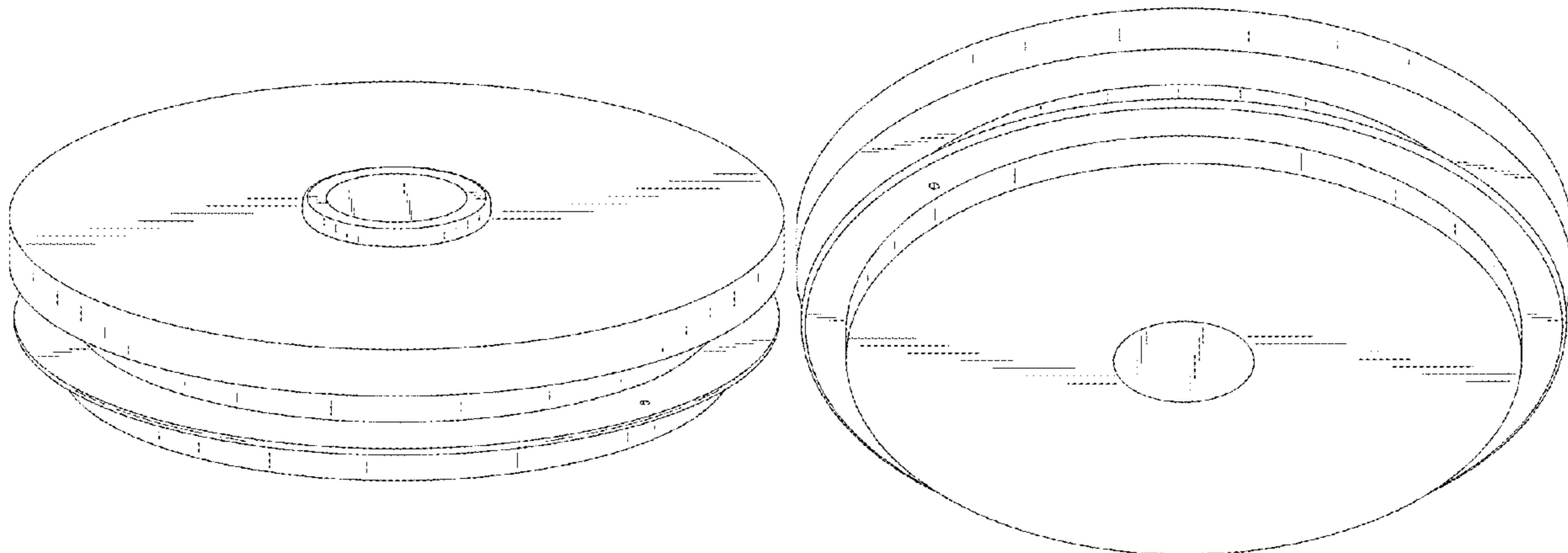
The ornamental design for silicone sleeve bamboo lid, substantially as shown and described.

DESCRIPTION

FIG. 1 is a front perspective view of silicone sleeve bamboo lid, showing my new design;
FIG. 2 is a rear perspective view thereof;
FIG. 3 is its separate state diagram;
FIG. 4 is its use state diagram;
FIG. 5 is a front view thereof;
FIG. 6 is a rear view thereof;
FIG. 7 is a left side view thereof;
FIG. 8 is a right side view thereof;
FIG. 9 is a top view thereof;
FIG. 10 is a bottom view thereof;
FIG. 11 is a front perspective view of a second embodiment thereof;
FIG. 12 is a rear perspective view thereof;
FIG. 13 is its separate state diagram;
FIG. 14 is its use state diagram;
FIG. 15 is a front view thereof;
FIG. 16 is a rear view thereof;
FIG. 17 is a left side view thereof;
FIG. 18 is a right side view thereof;
FIG. 19 is a top view thereof; and,
FIG. 20 is a bottom view thereof.

The broken lines in the drawings illustrate the portions of silicone sleeve bamboo lid, which form no part of the claimed design.

1 Claim, 20 Drawing Sheets



(56)

References Cited

U.S. PATENT DOCUMENTS

D778,676 S * 2/2017 Maple D7/510
D805,847 S * 12/2017 Sandoval D7/532
D861,485 S * 10/2019 Kapolis D9/453

* cited by examiner

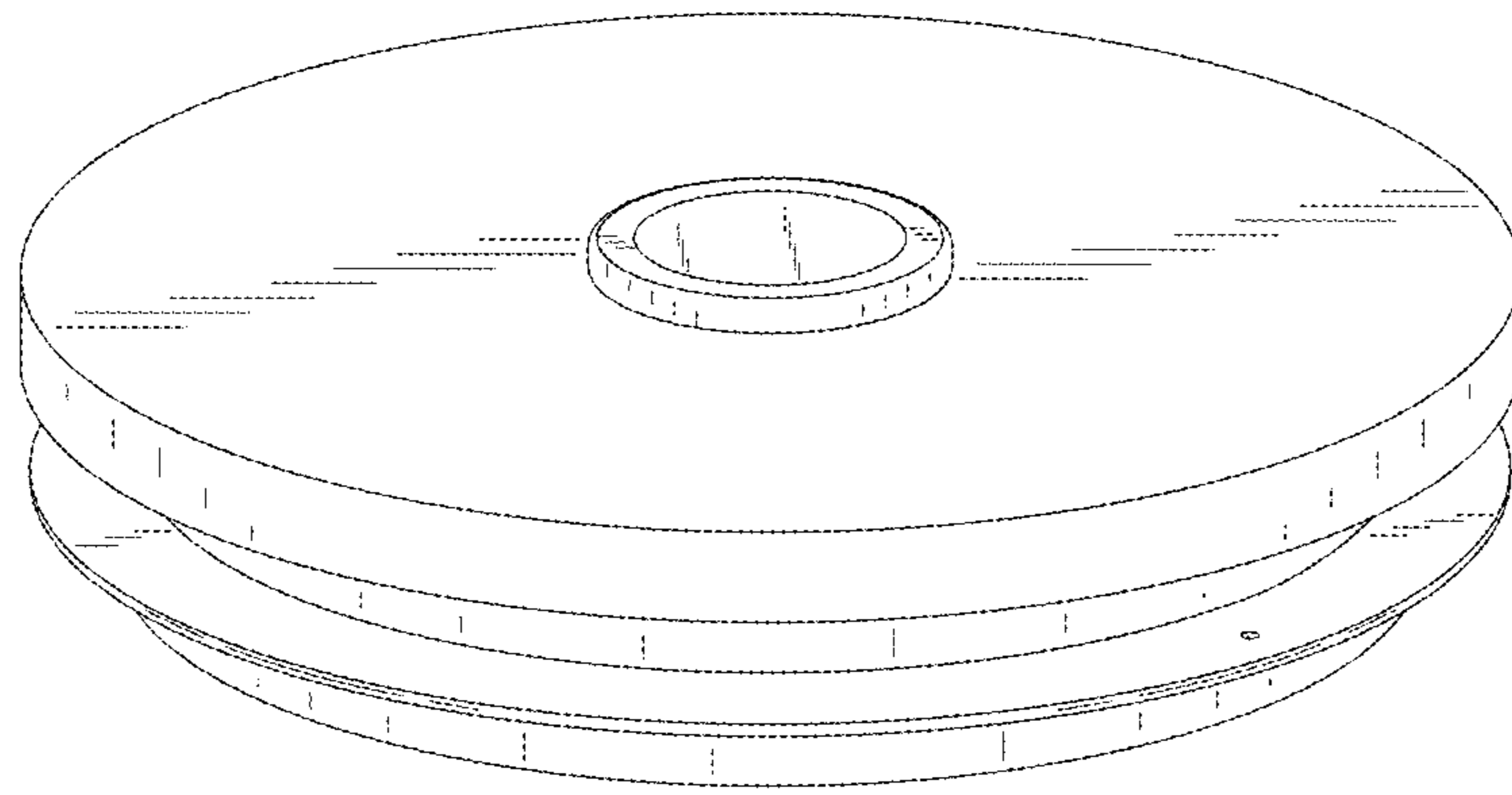


FIG. 1

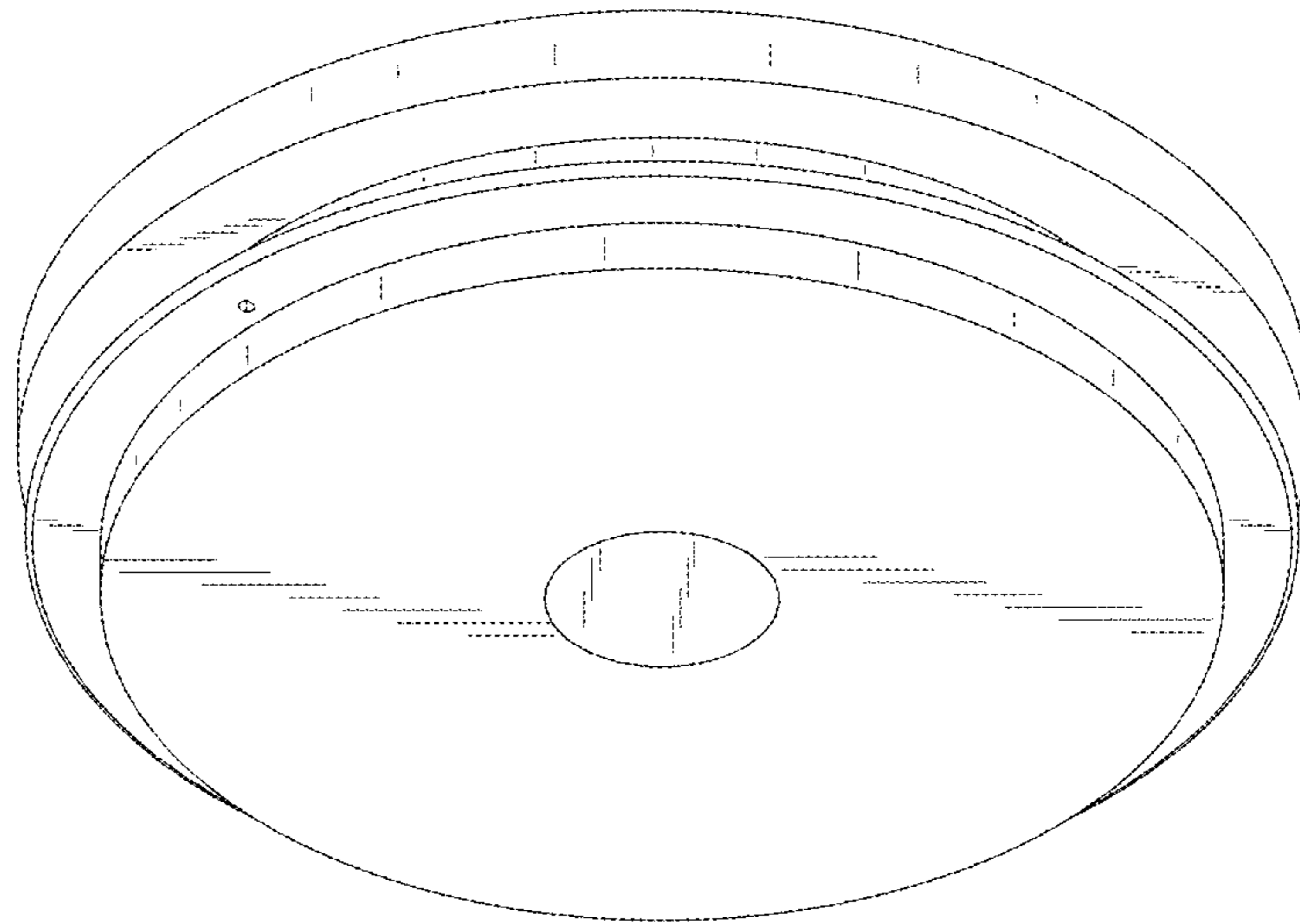


FIG. 2

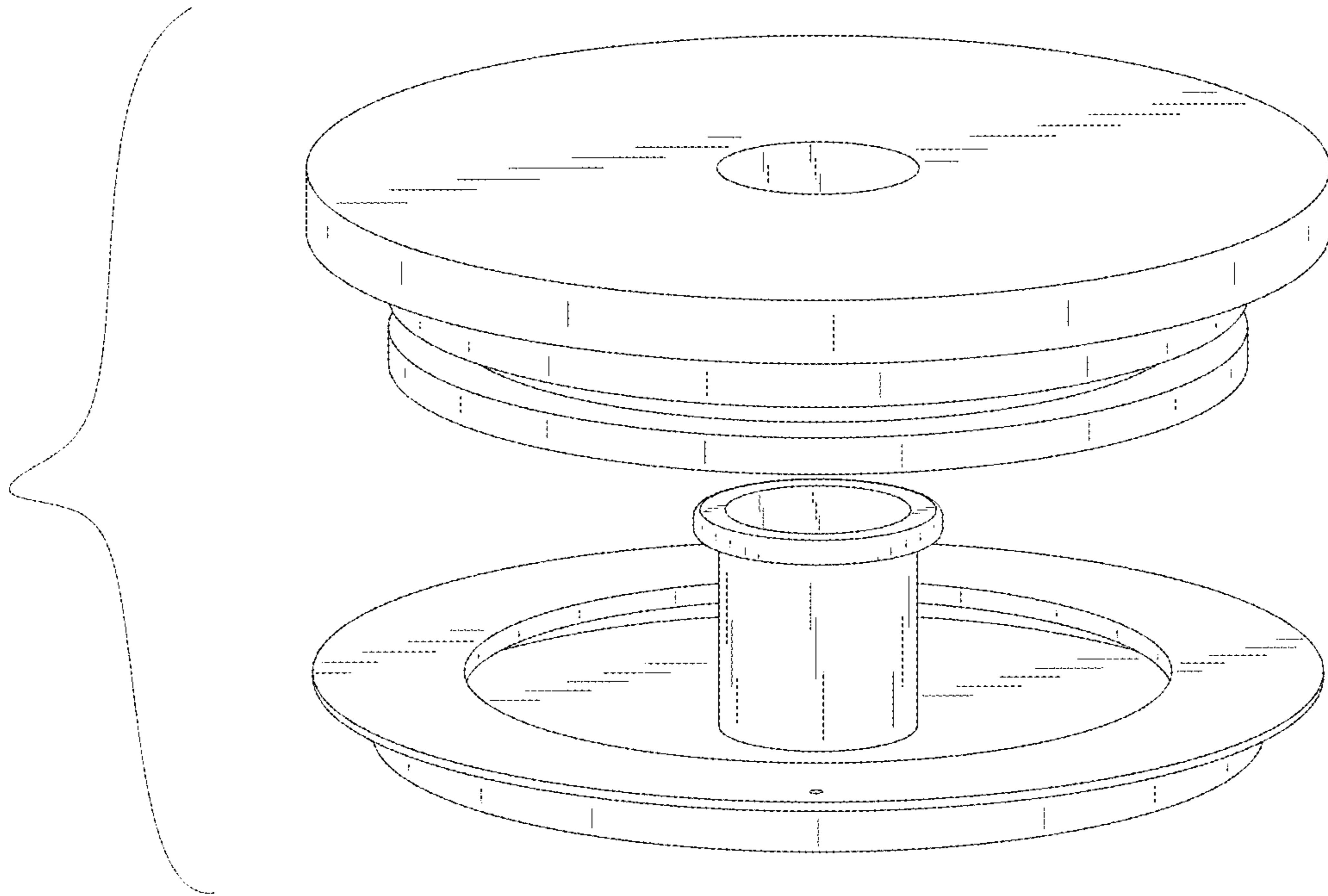


FIG. 3

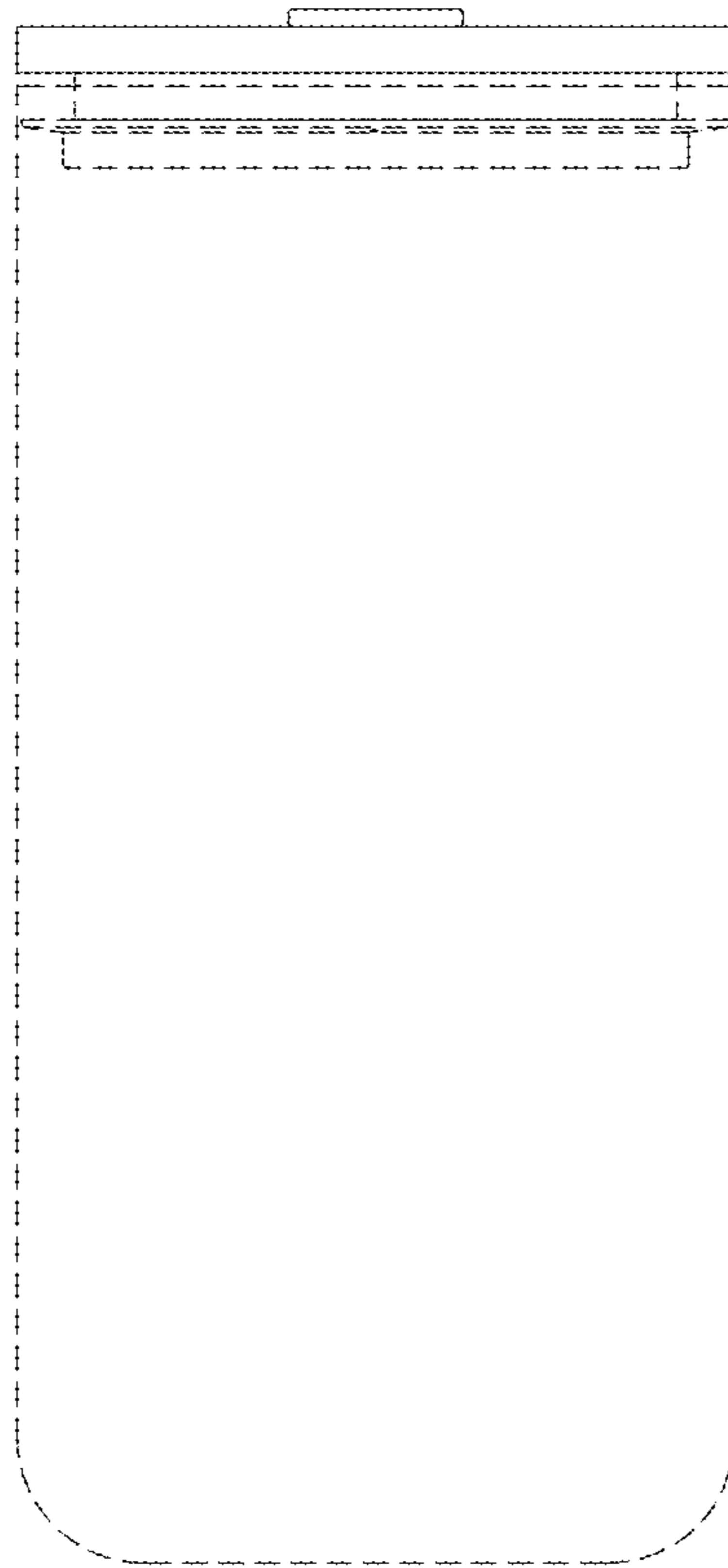


FIG. 4

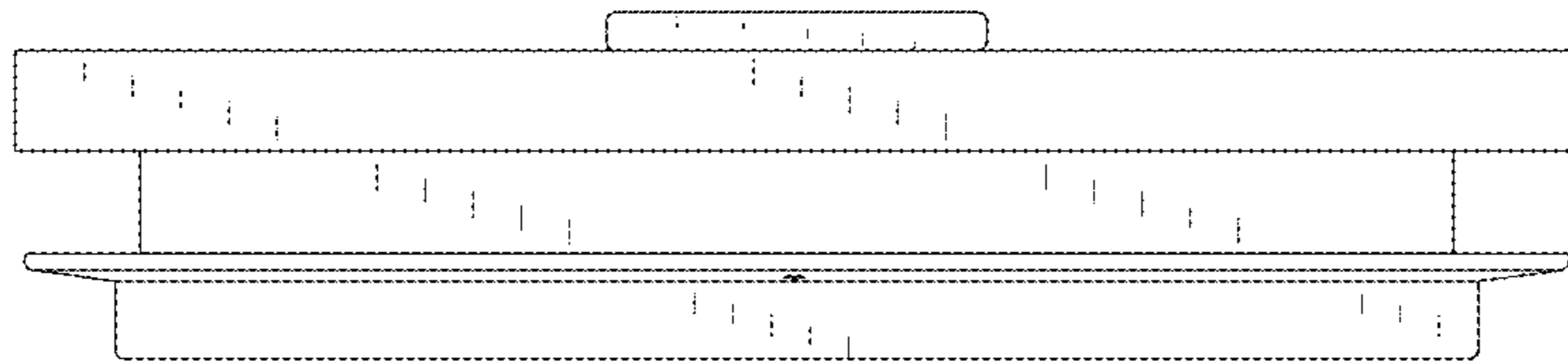


FIG. 5

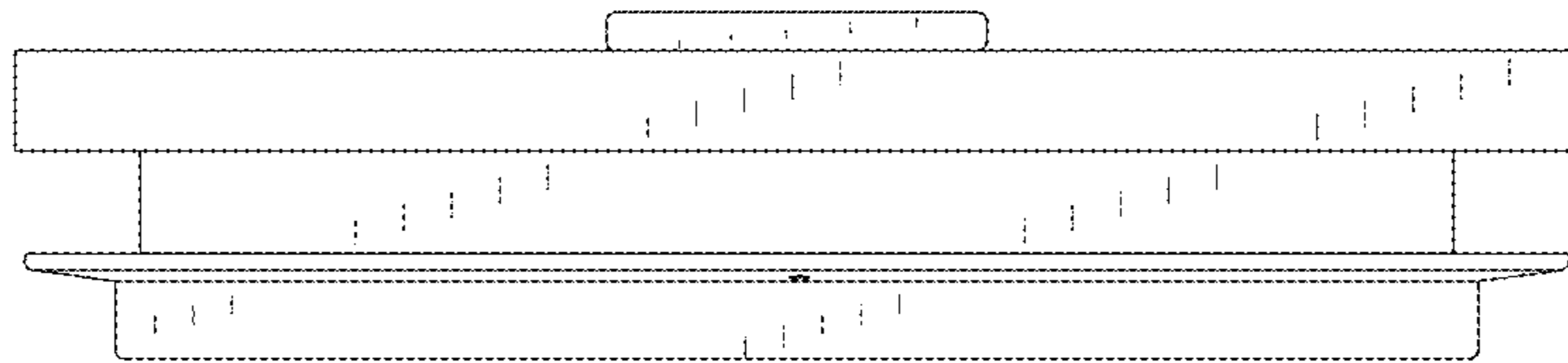


FIG. 6

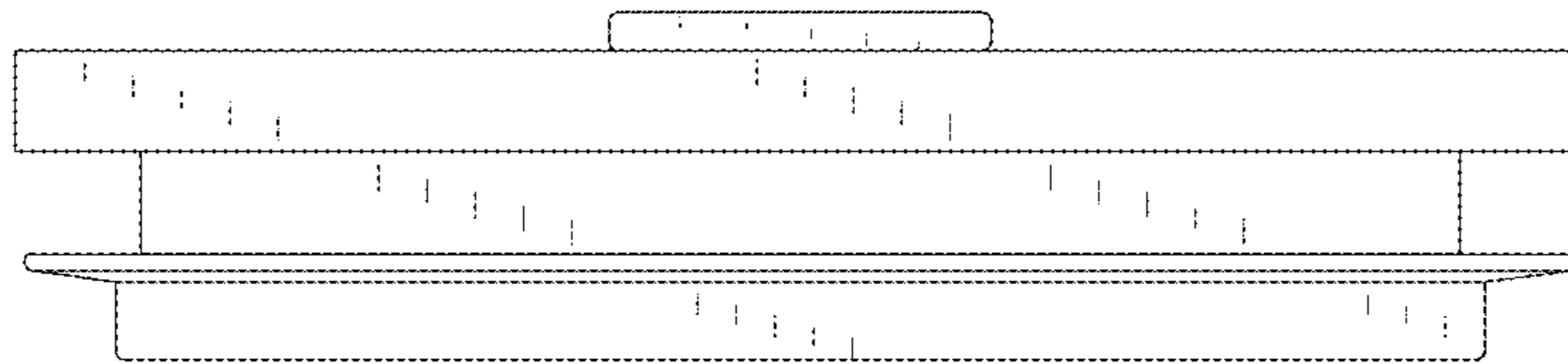


FIG. 7

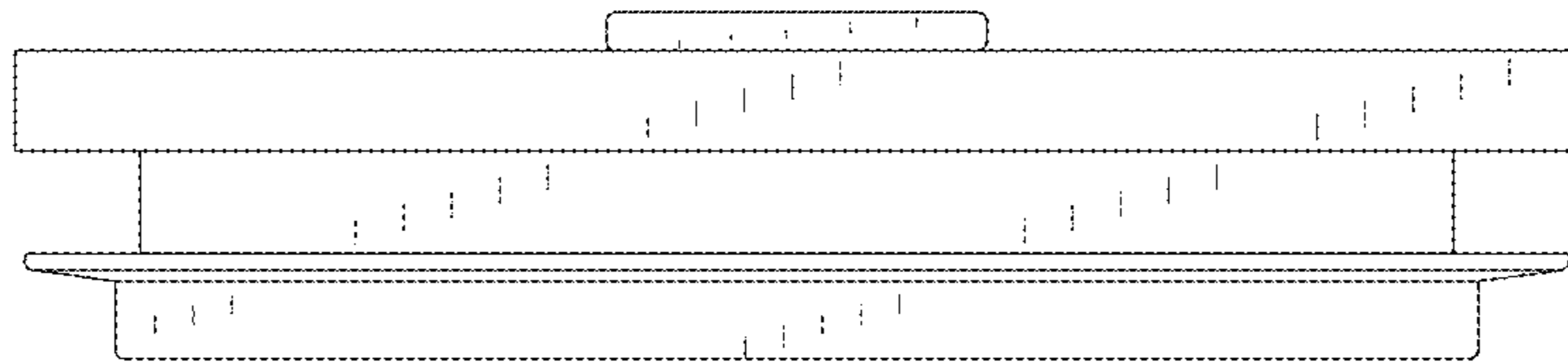


FIG. 8

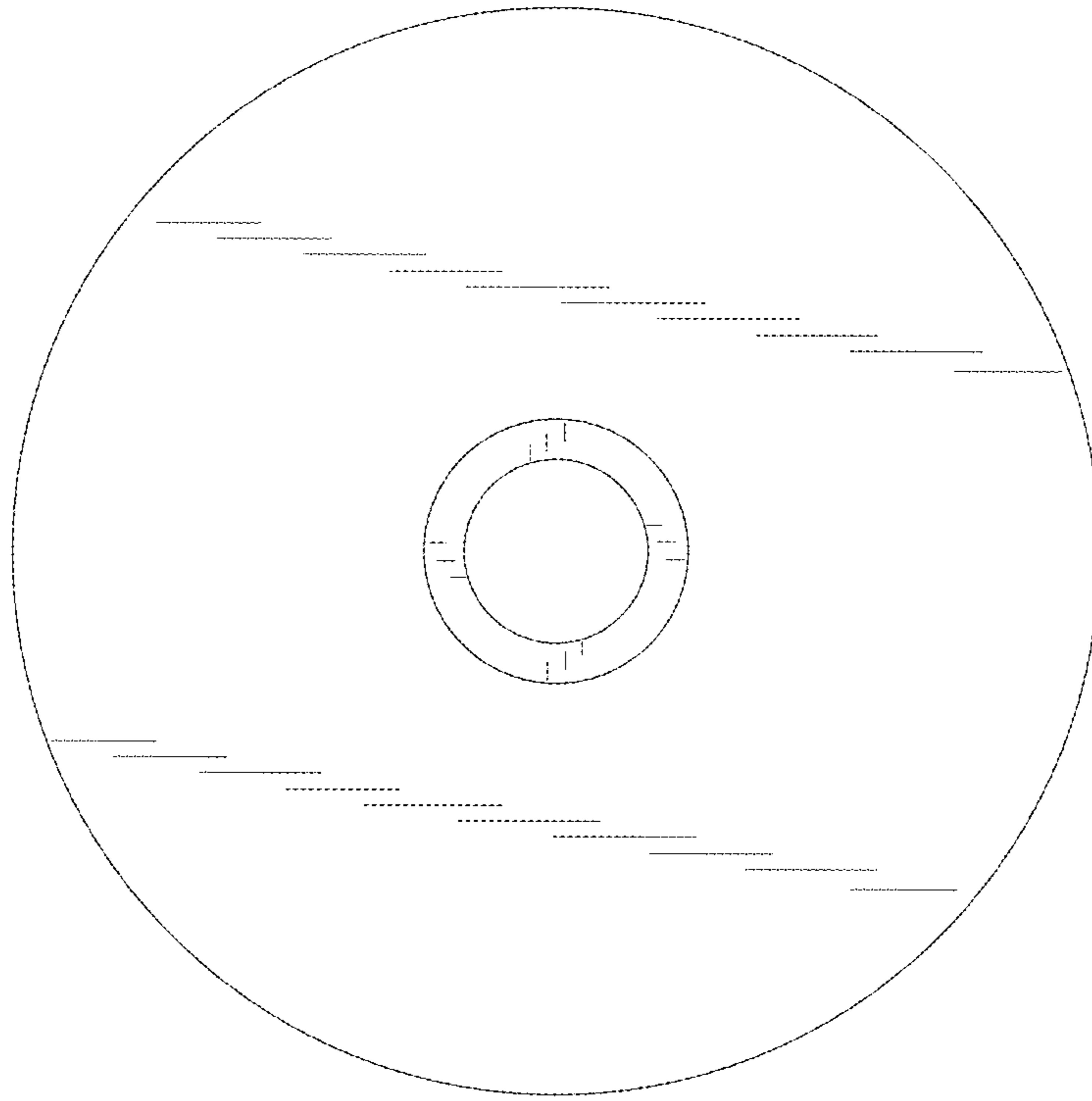


FIG. 9

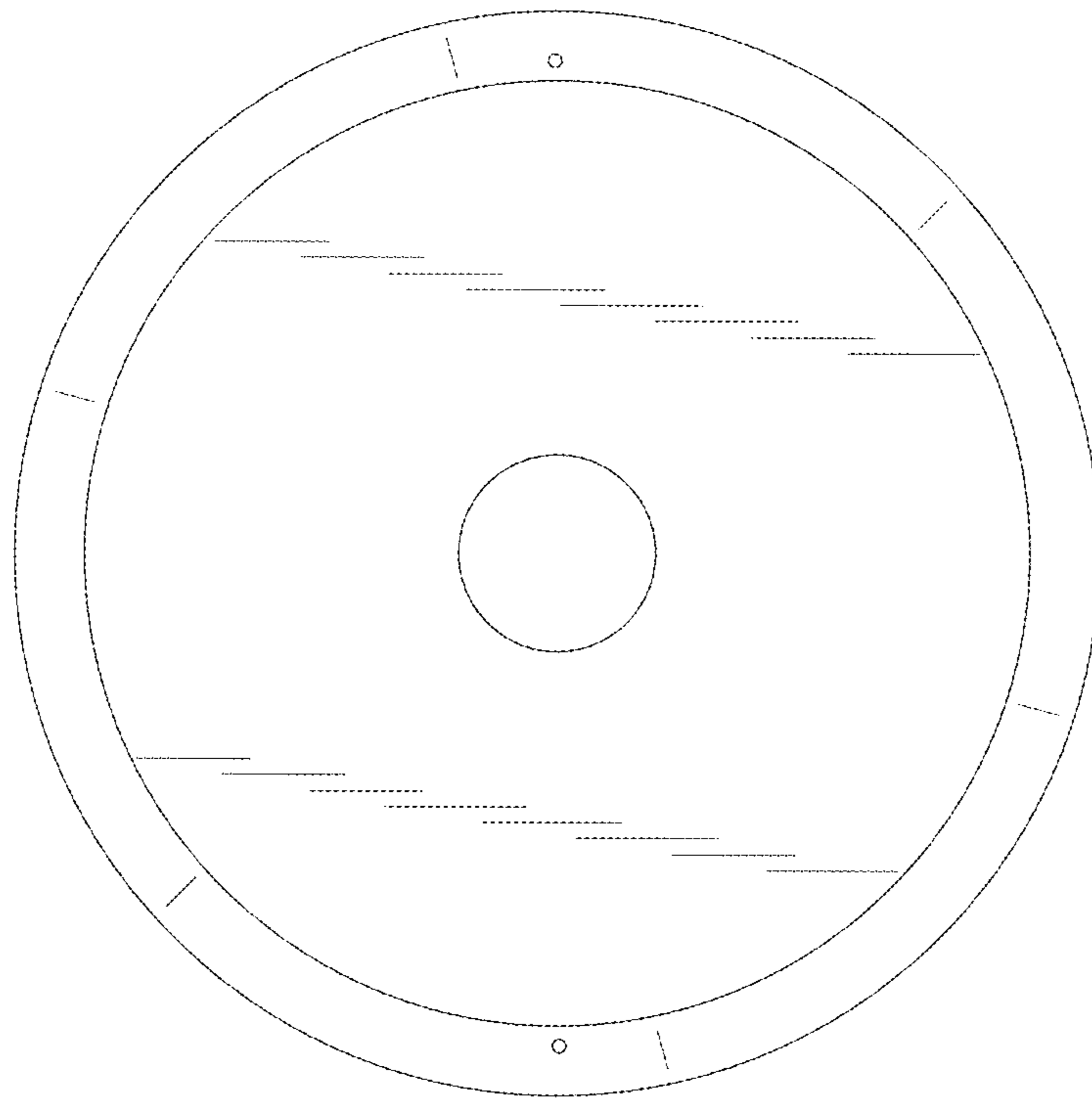


FIG. 10

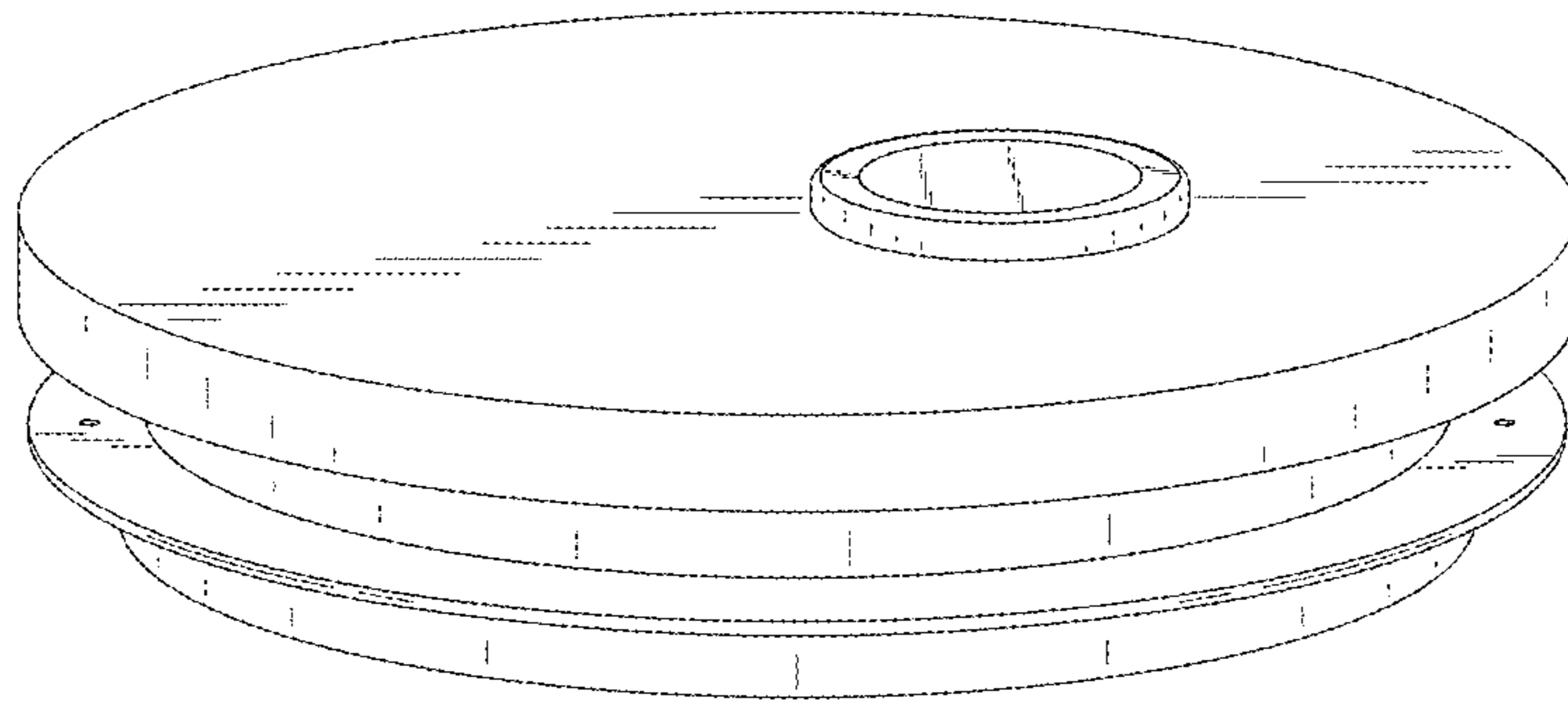


FIG. 11

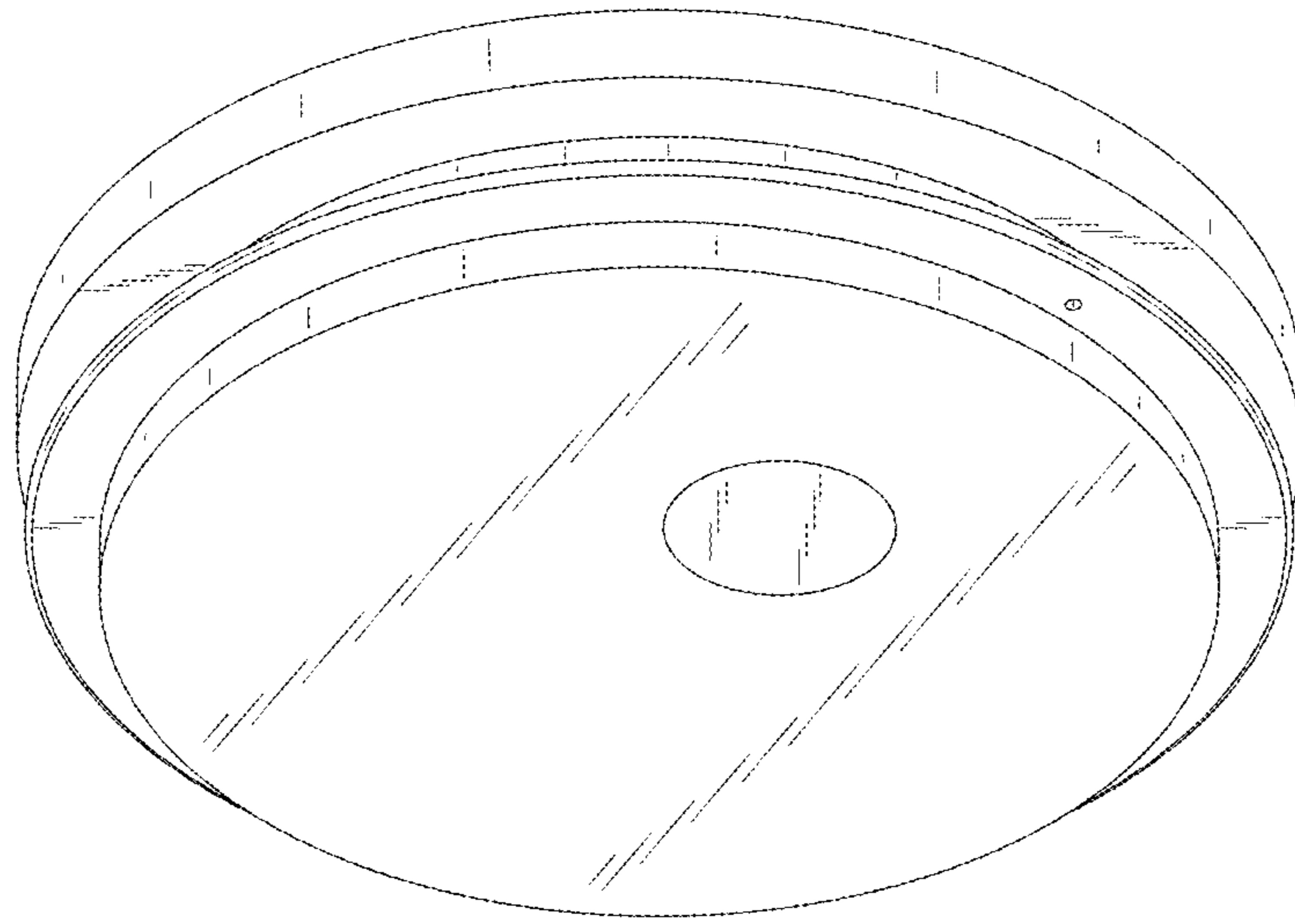


FIG. 12

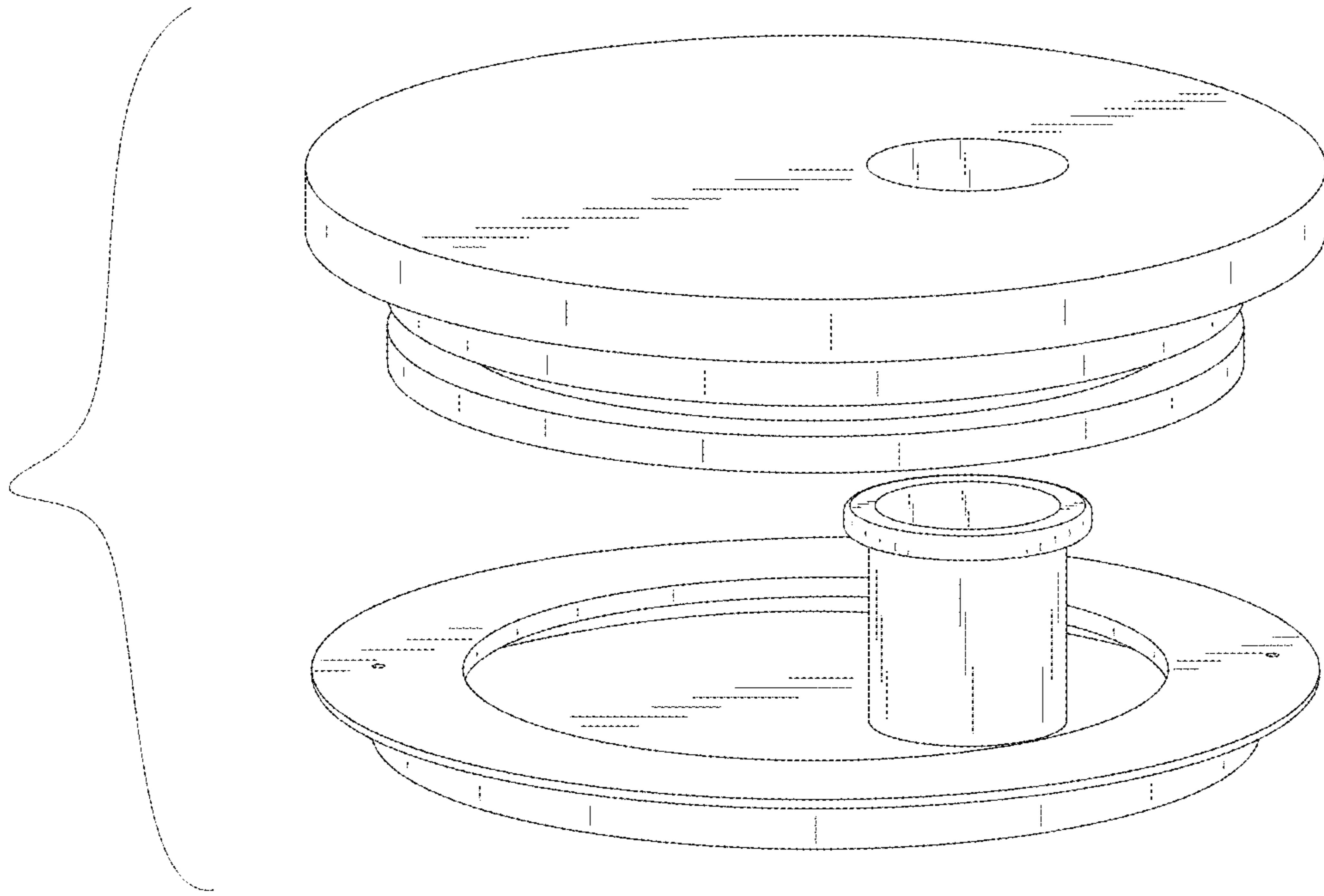


FIG. 13

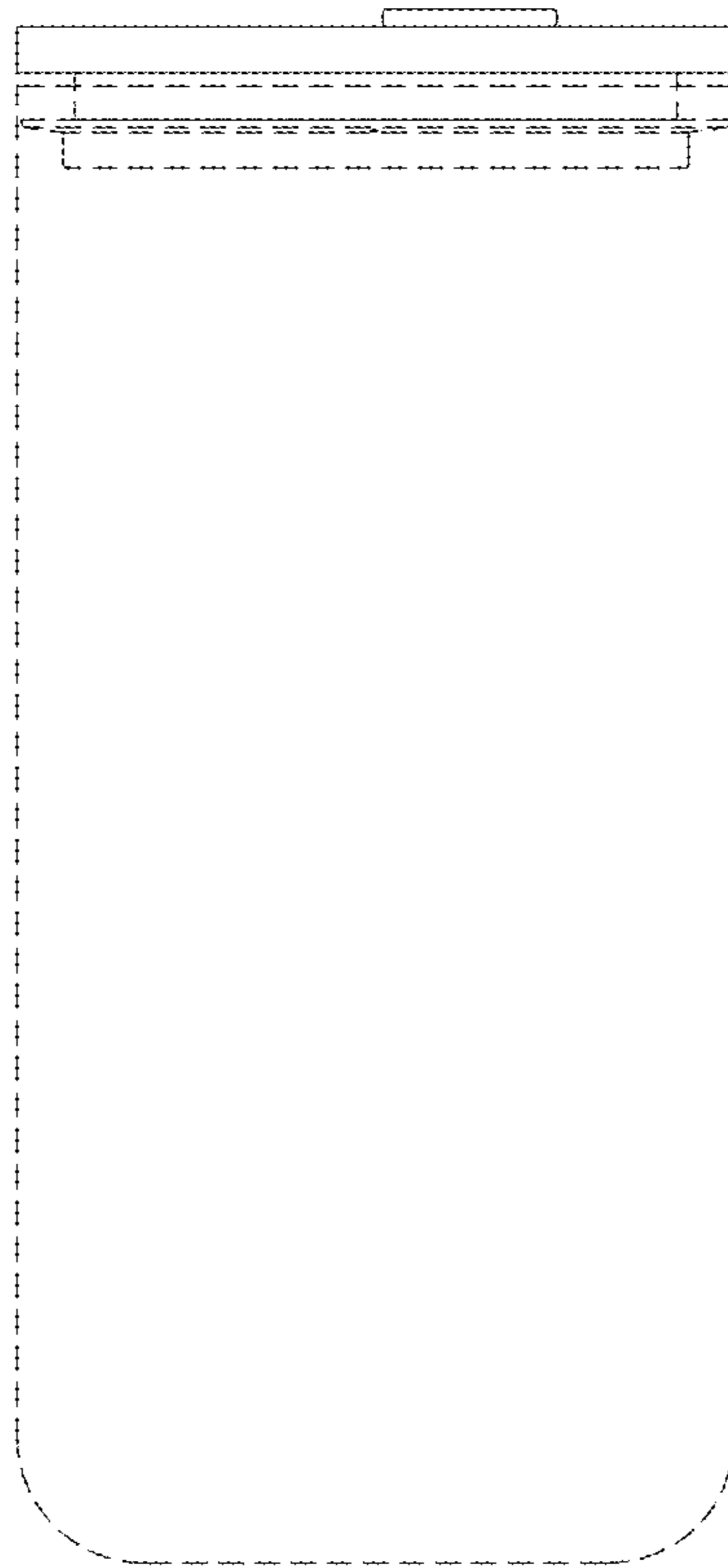


FIG. 14

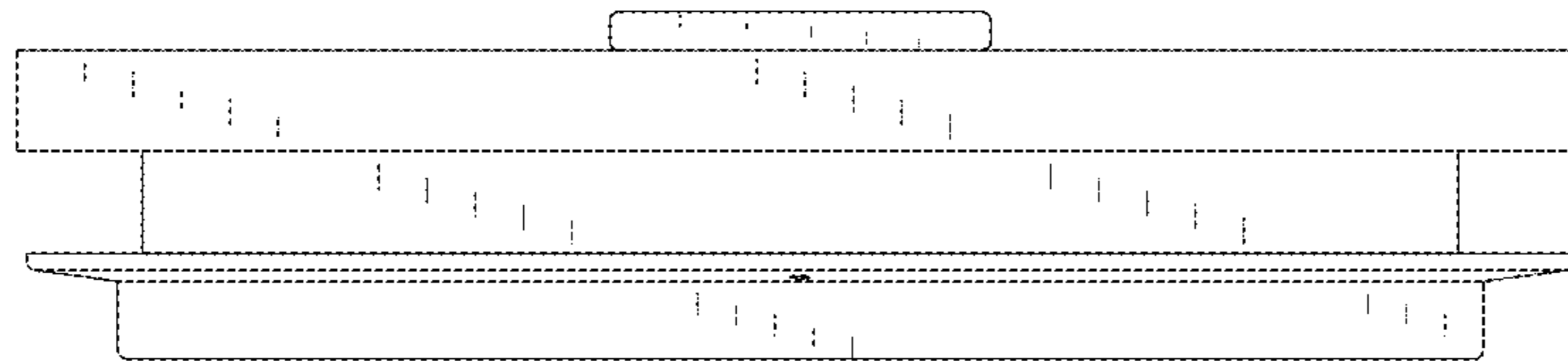


FIG. 15

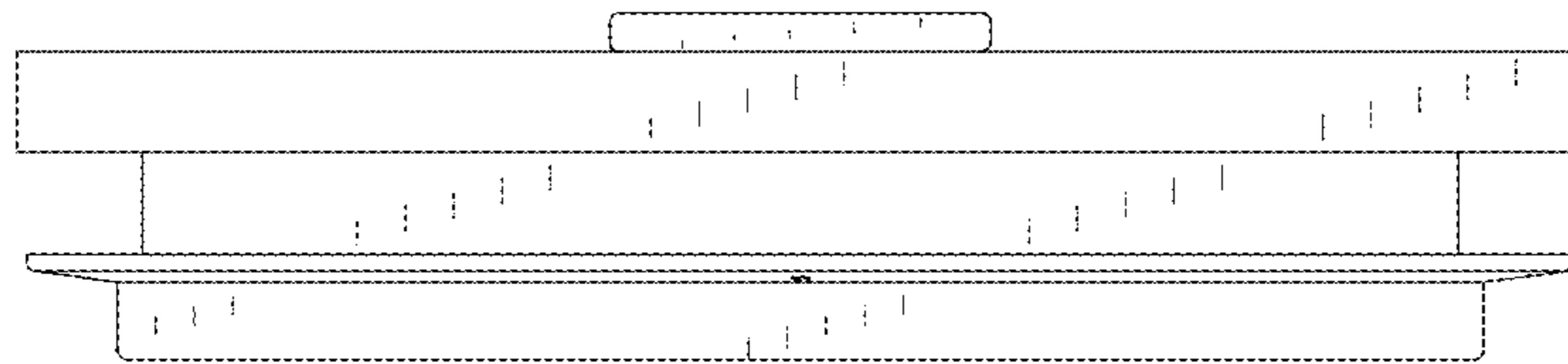


FIG. 16

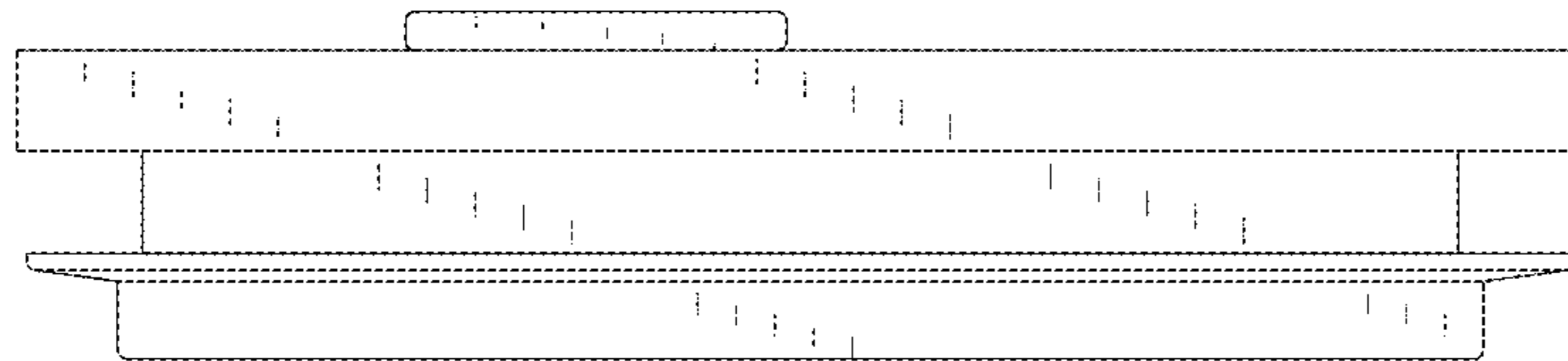


FIG. 17

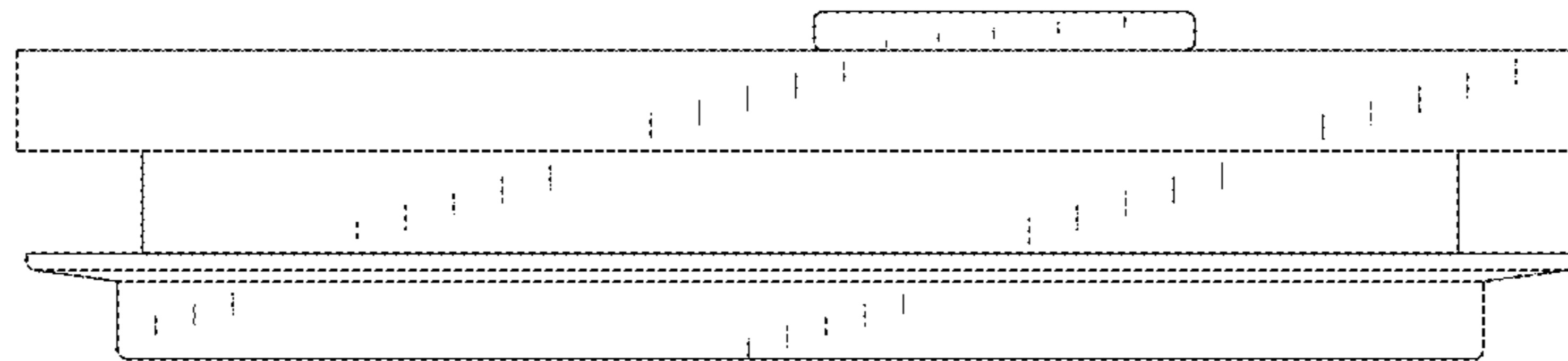


FIG. 18

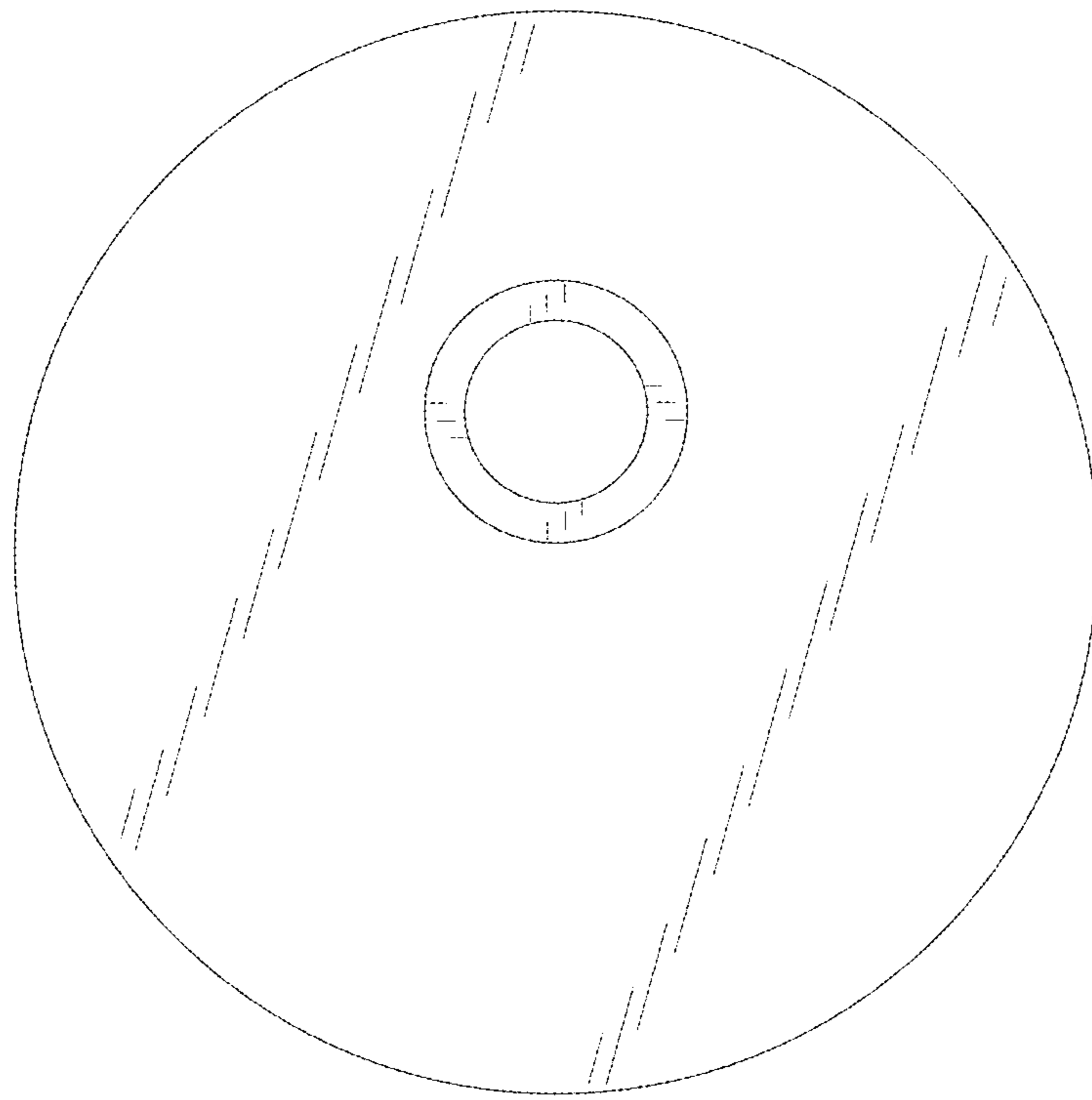


FIG. 19

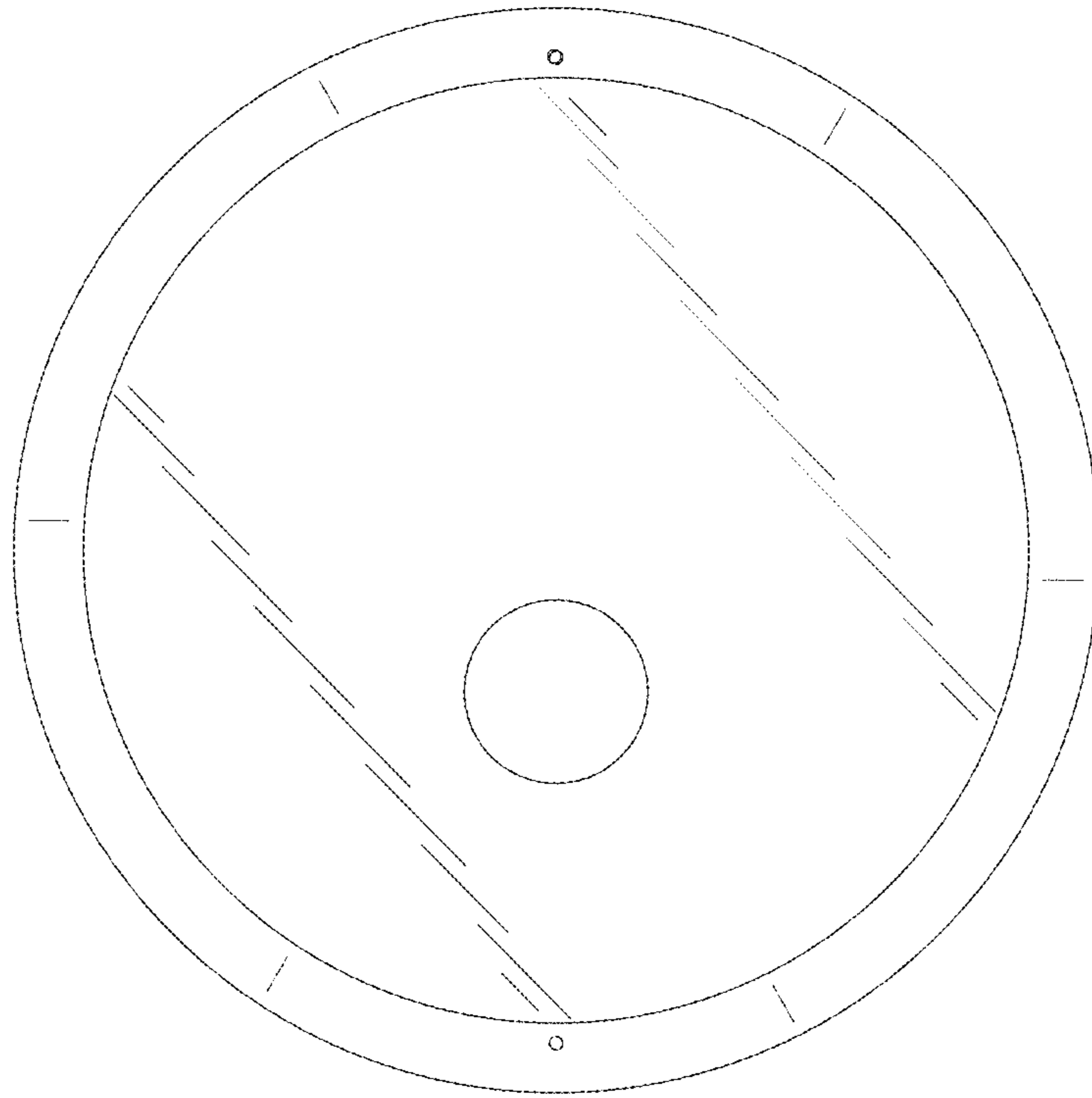


FIG. 20