



US00D959894S

(12) **United States Design Patent**  
**Storz et al.**

(10) **Patent No.:** **US D959,894 S**

(45) **Date of Patent:** **\*\* Aug. 9, 2022**

(54) **CAN END**

(71) Applicant: **RE-LID Engineering AG**, Ruggell (LI)

(72) Inventors: **Joachim Storz**, Zell am See (AT); **Luis Bühler**, Ruggell (LI)

(73) Assignee: **RE-LID Engineering AG**, Ruggell (LI)

(\*\*) Term: **15 Years**

(21) Appl. No.: **35/510,528**

(22) Filed: **Apr. 6, 2020**

(80) **Hague Agreement Data**

Int. Filing Date: **Apr. 6, 2020**

Int. Reg. No.: **DM/208406**

Int. Reg. Date: **Apr. 6, 2020**

Int. Reg. Pub. Date: **Oct. 9, 2020**

(30) **Foreign Application Priority Data**

Dec. 6, 2019 (EM) ..... 7 347 687-0004

Dec. 6, 2019 (EM) ..... 7 347 687-0005

Dec. 6, 2019 (EM) ..... 7 347 687-0006

Dec. 6, 2019 (EM) ..... 7 347 687-0007

Dec. 6, 2019 (EM) ..... 7 347 687-0014

(Continued)

(51) **LOC (13) Cl.** ..... **07-99**

(52) **U.S. Cl.**  
USPC ..... **D7/387**

(58) **Field of Classification Search**  
USPC ..... D7/387; D9/438, 780

(Continued)

(56) **References Cited**

U.S. PATENT DOCUMENTS

886,702 A \* 5/1908 Hothersall ..... B65D 47/265  
222/548

1,039,164 A \* 9/1912 McColl ..... B65D 17/464  
220/274

(Continued)

FOREIGN PATENT DOCUMENTS

IL 65108 \* 4/2020

IL 65109 \* 4/2020

(Continued)

*Primary Examiner* — S. Bryan Reinholdt, Jr.

(74) *Attorney, Agent, or Firm* — Bookoff McAndrews, PLLC

(57) **CLAIM**

The ornamental design for a can end, as shown and described.

**DESCRIPTION**

Fig. 5.1 is a top view of an embodiment of a can end showing our new design;

Fig. 5.2 is a bottom view thereof;

Fig. 5.3 is a side view thereof;

Fig. 5.4 is a side view thereof;

Fig. 5.5 is a top perspective view thereof;

Fig. 5.6 is a top perspective view thereof;

Fig. 5.7 is a side perspective view thereof;

Fig. 6.1 is a top view of another embodiment of a can end showing our new design;

Fig. 6.2 is a bottom view thereof;

Fig. 6.3 is a side view thereof;

Fig. 6.4 is a side view thereof;

Fig. 6.5 is a top perspective view thereof;

Fig. 6.6 is a top perspective view thereof;

Fig. 6.7 is a side perspective view thereof;

Fig. 7.1 is a top view of another embodiment of a can end showing our new design;

Fig. 7.2 is a bottom view thereof;

Fig. 7.3 is a side view thereof;

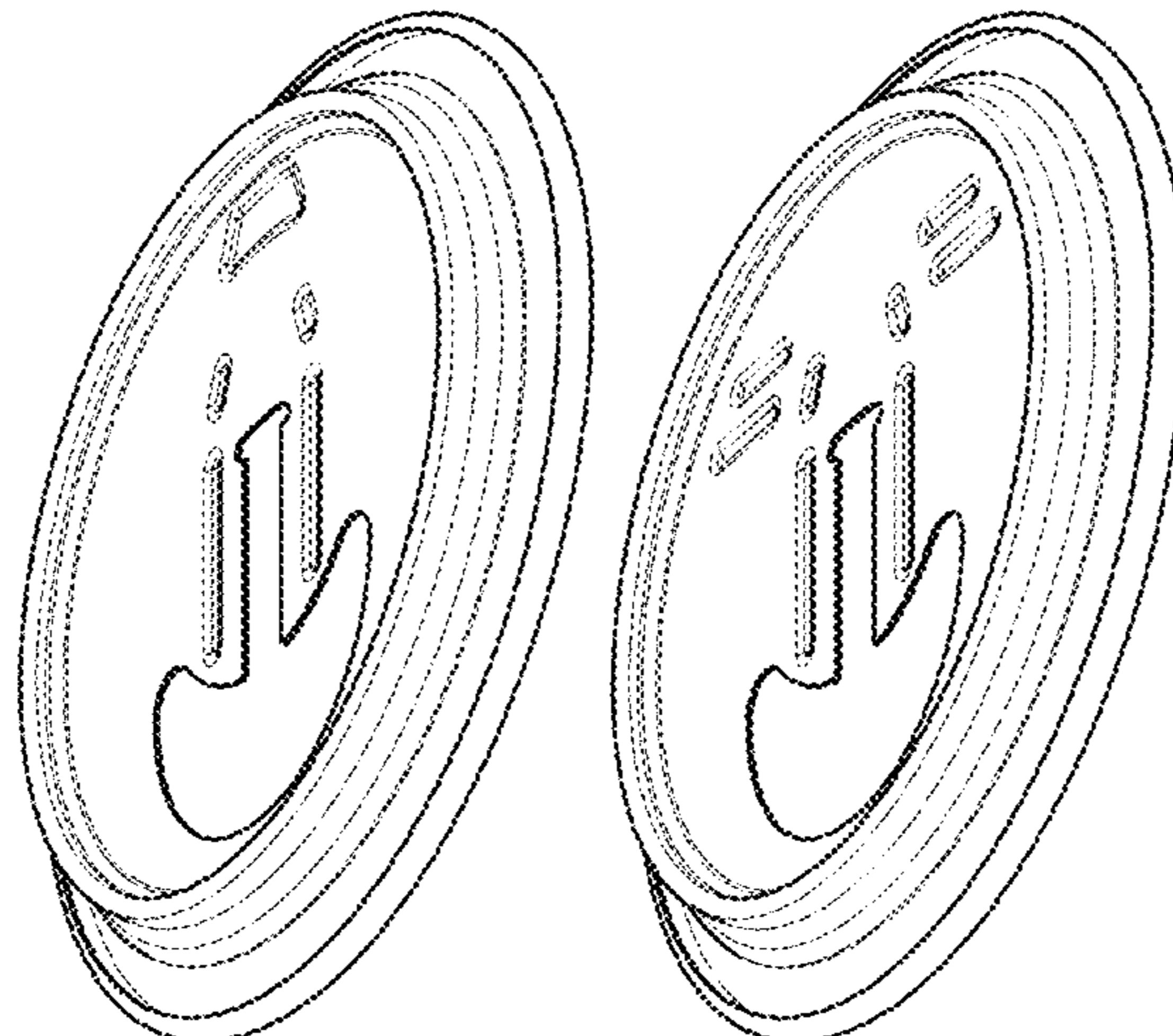
Fig. 7.4 is a side view thereof;

Fig. 7.5 is a top perspective view thereof;

Fig. 7.6 is a top perspective view thereof;

Fig. 7.7 is a side perspective view thereof.

**1 Claim, 21 Drawing Sheets**



US D959,894 S

(30) Foreign Application Priority Data

Dec. 6, 2019 (EM) ..... 7 347 687-0020
Dec. 6, 2019 (EM) ..... 7 347 687-0030
Dec. 6, 2019 (EM) ..... 7 347 687-0031
Dec. 6, 2019 (EM) ..... 7 347 687-0032

(58) Field of Classification Search

CPC ..... B65D 1/12
See application file for complete search history.

(56) References Cited

U.S. PATENT DOCUMENTS

1,118,049 A \* 11/1914 Pullen ..... B65D 47/122
222/562
3,416,699 A \* 12/1968 Bozek ..... B65D 17/4011
220/271
D215,923 S \* 11/1969 Zundel ..... D9/438
4,177,929 A \* 12/1979 Murray ..... B65D 17/4012
220/270
D261,867 S \* 11/1981 Hasegawa ..... D9/438
D262,517 S \* 1/1982 Hayes ..... D9/780
D305,303 S \* 1/1990 Saunders ..... D9/416
D321,318 S \* 11/1991 Gunter ..... D9/780
5,065,882 A \* 11/1991 Sugiyama ..... B65D 17/4012
220/269
5,199,591 A \* 4/1993 Thibeault ..... B65D 17/4014
220/253
D381,582 S \* 7/1997 Bolton ..... D9/428
D395,195 S \* 6/1998 Heiberg ..... D7/387
5,833,285 A \* 11/1998 Venezia ..... B65D 17/4011
294/27.1

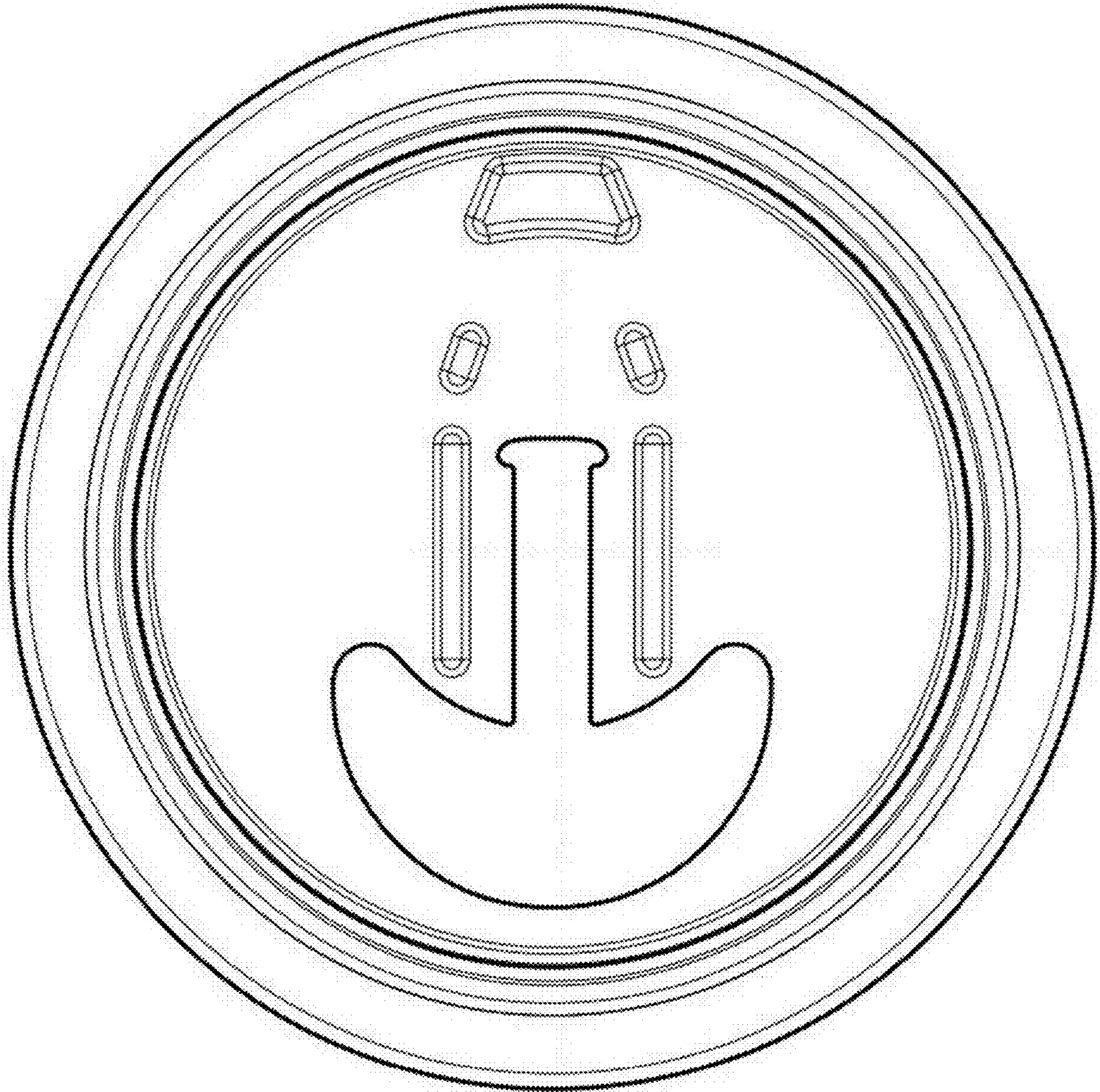
D426,155 S \* 6/2000 Blow ..... D9/434
6,460,719 B1 \* 10/2002 Finmark ..... B65D 17/4014
220/258.5
D585,305 S \* 1/2009 Alvares ..... D9/780
D653,109 S \* 1/2012 Stammen ..... B65D 17/4011
D9/438
8,720,717 B2 \* 5/2014 Kaanta ..... B65D 17/401
215/304
D715,647 S \* 10/2014 Jacober ..... D9/438
9,016,504 B2 \* 4/2015 McClung ..... B21D 51/383
220/271
9,457,930 B1 \* 10/2016 Stengel, Jr ..... B21D 51/383
D820,678 S \* 6/2018 Chapman ..... D9/447
2011/0000913 A1 \* 1/2011 Bland ..... B65D 17/4012
220/269
2015/0360806 A1 \* 12/2015 Ojima ..... B65D 17/4012
220/359.1

FOREIGN PATENT DOCUMENTS

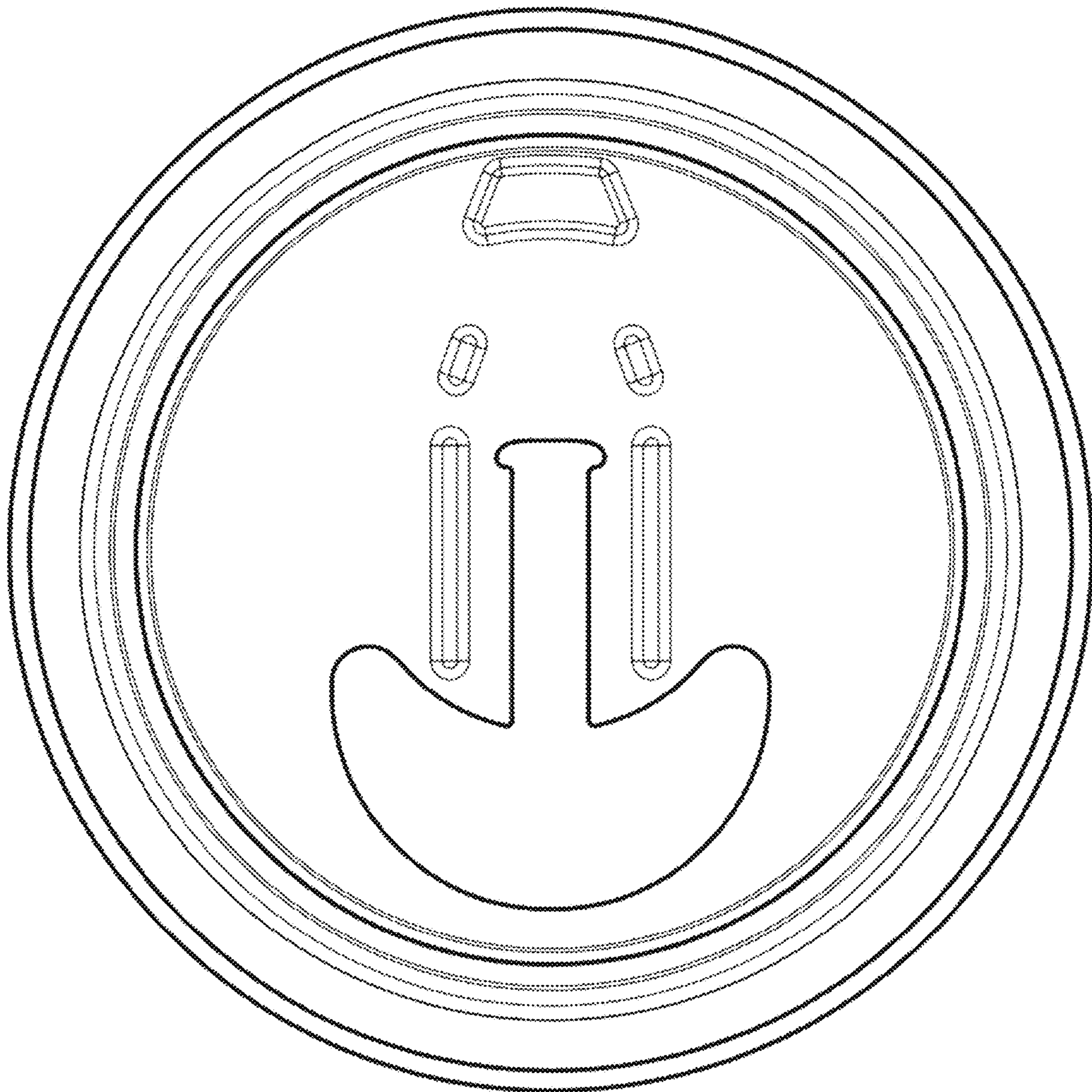
IL 65110 \* 4/2020
IL 65104 \* 11/2020
IL 65105 \* 11/2020
IL 65106 \* 11/2020
IL 65107 \* 11/2020
JP D1683003 \* 3/2021
JP D1683004 \* 3/2021
JP D1683000 \* 4/2021
JP D1683001 \* 4/2021
JP D1683002 \* 4/2021
JP D1690114 \* 6/2021
JP D1693196 \* 8/2021

\* cited by examiner

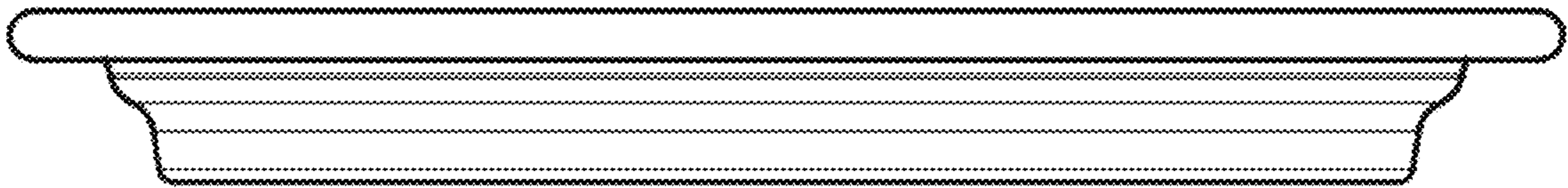
5.1



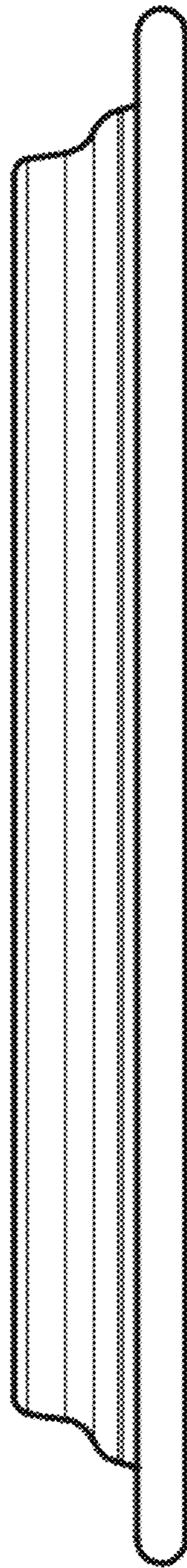
5.2



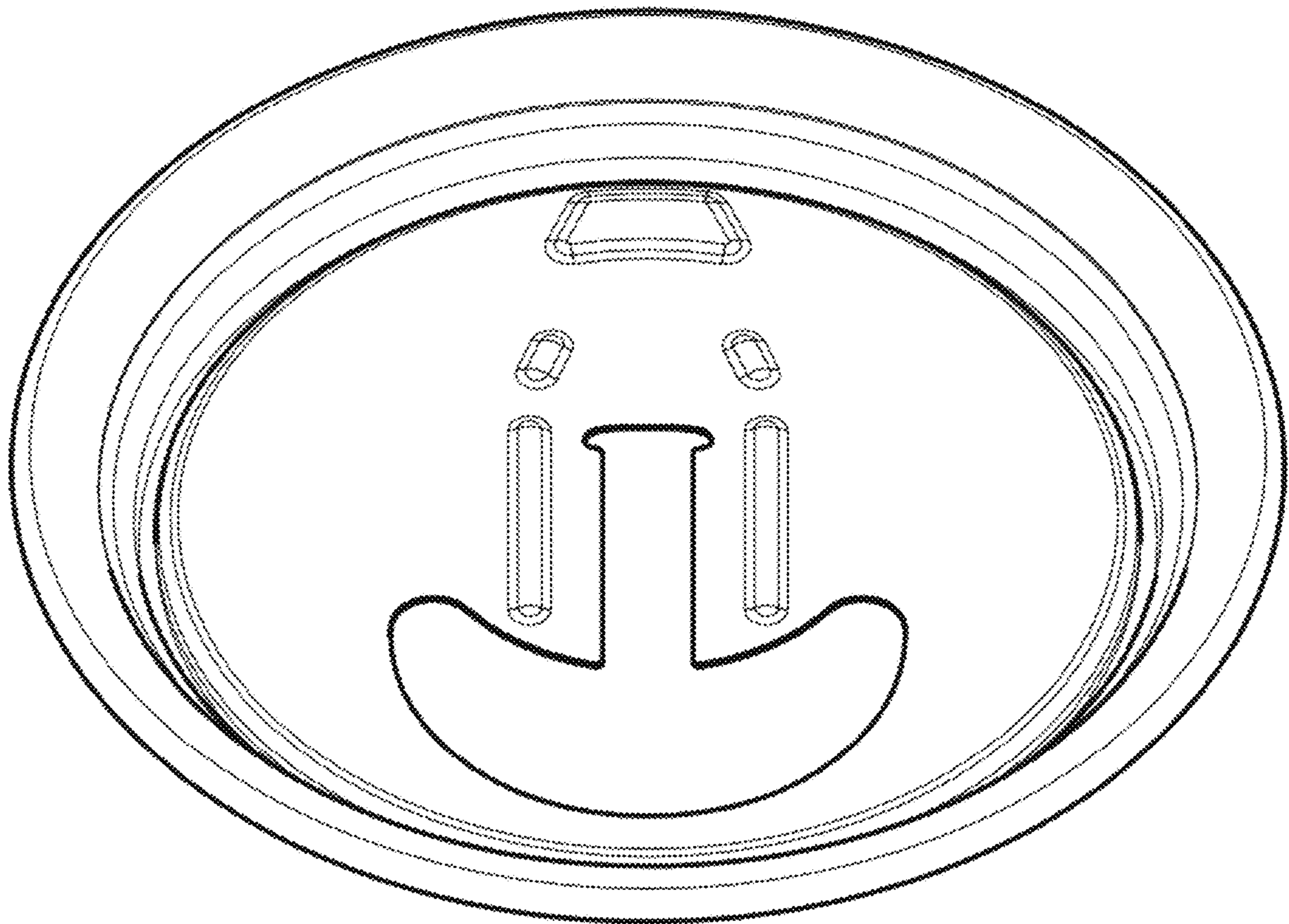
5.3



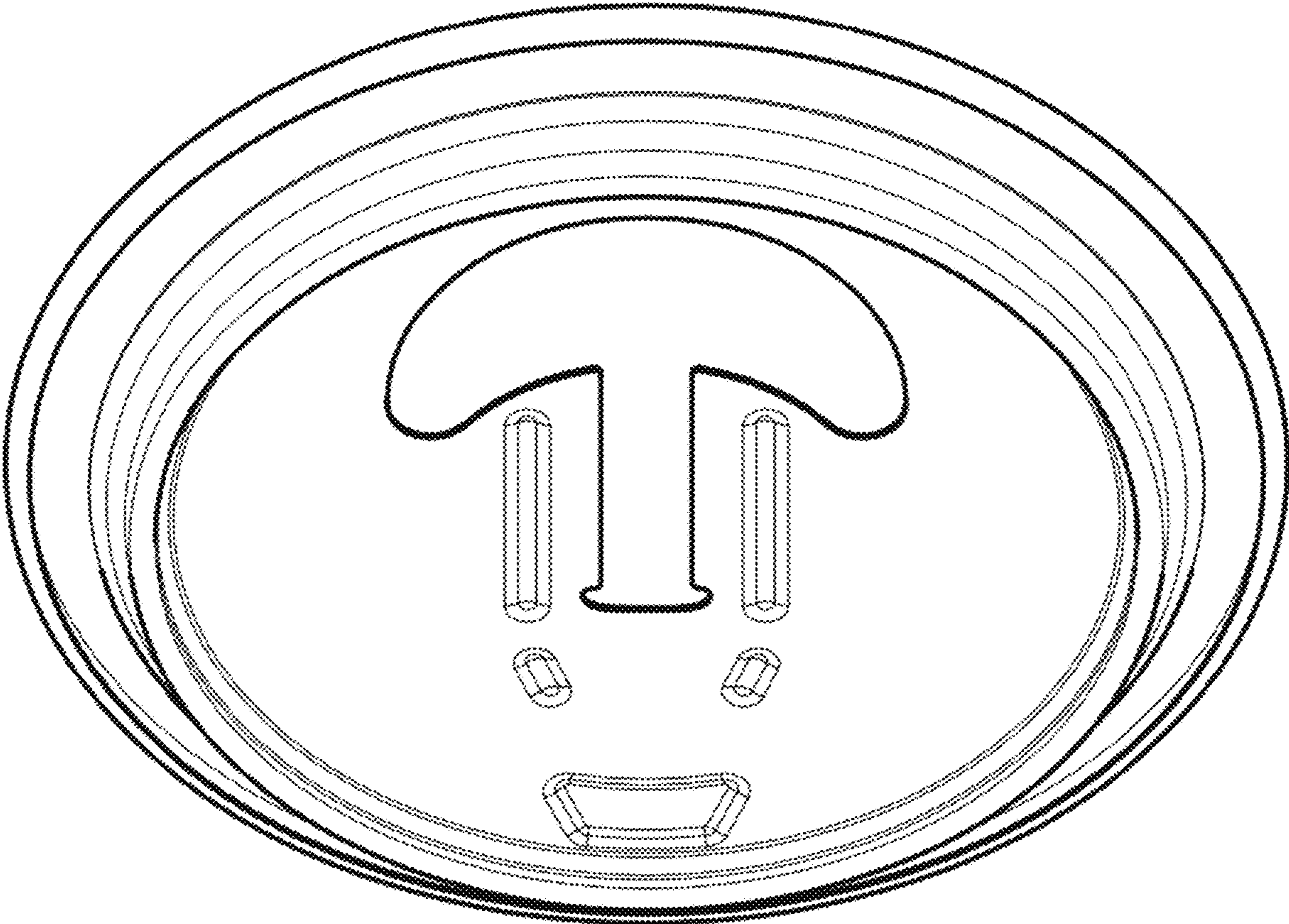
5.4



5.5

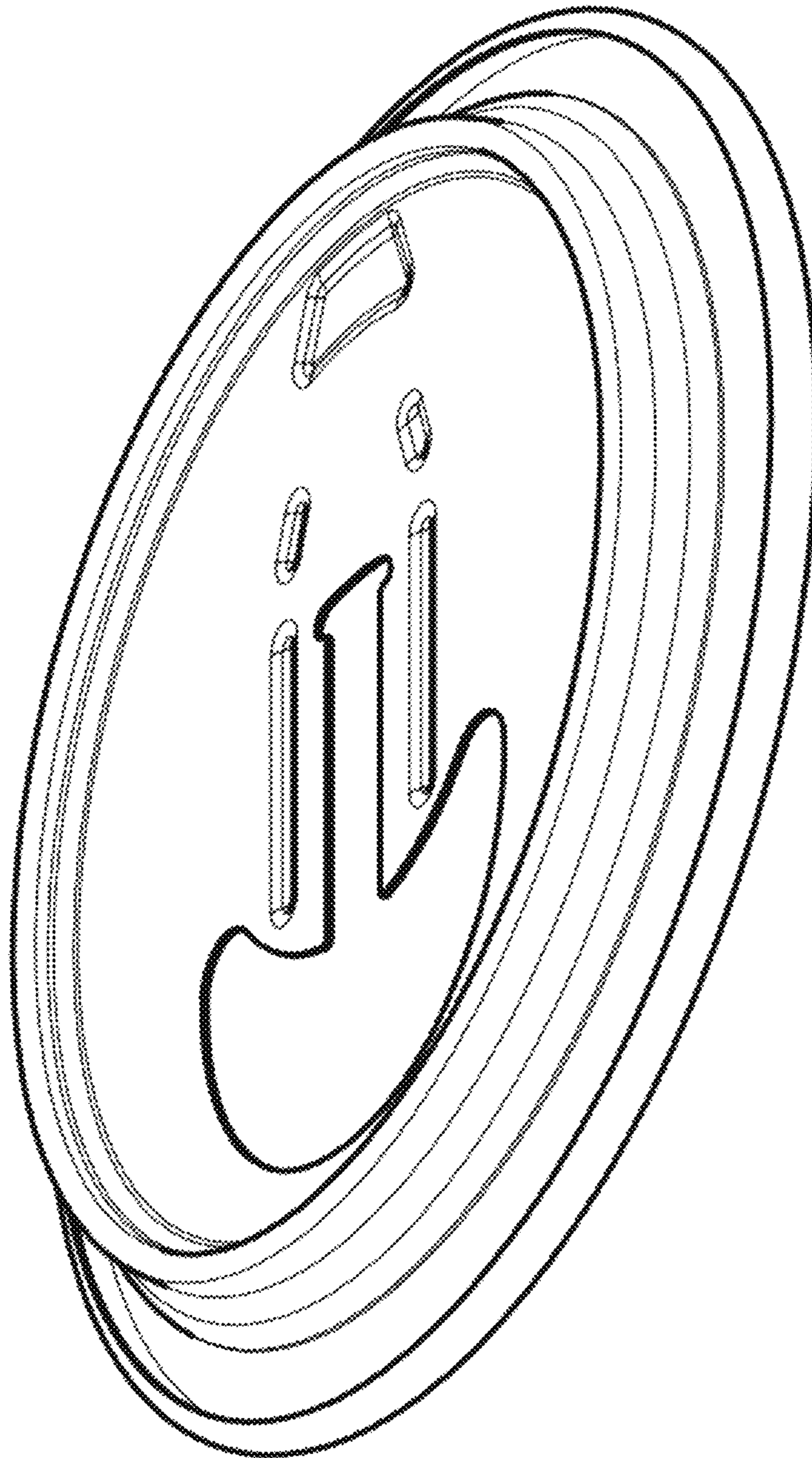


5.6

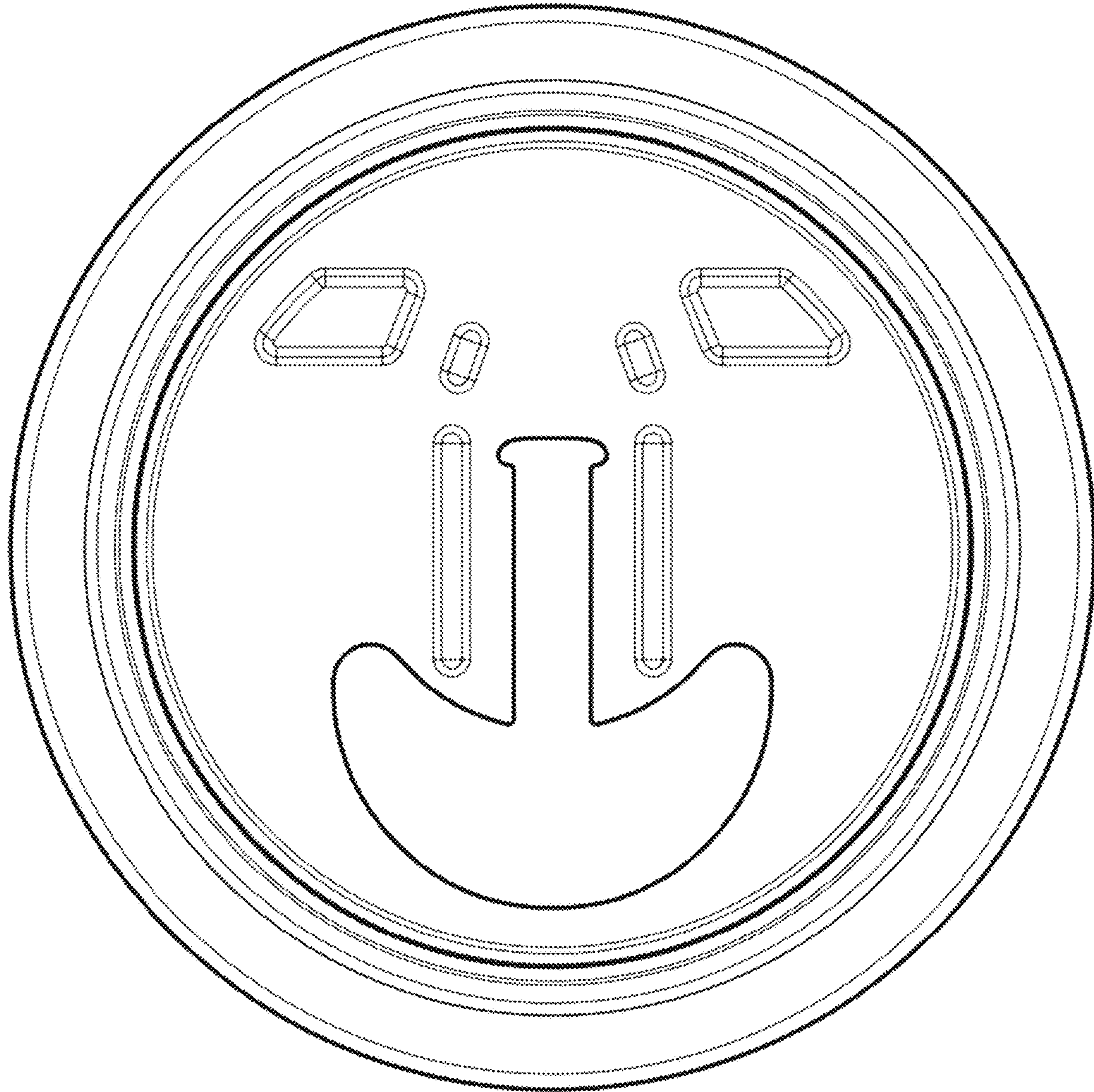




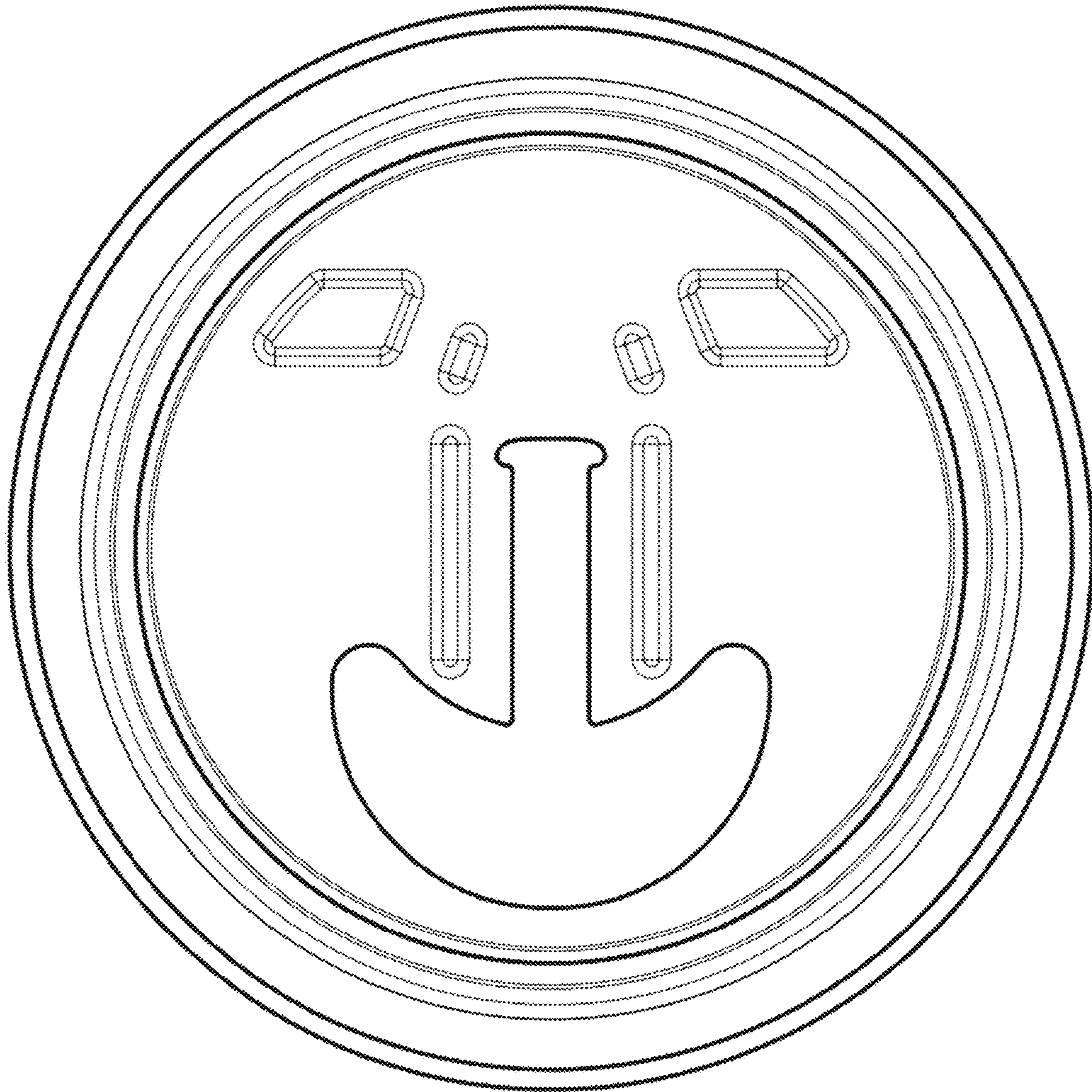
5.7



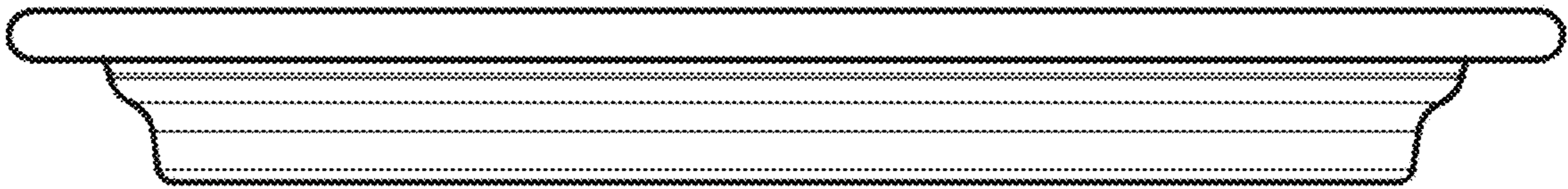
6.1



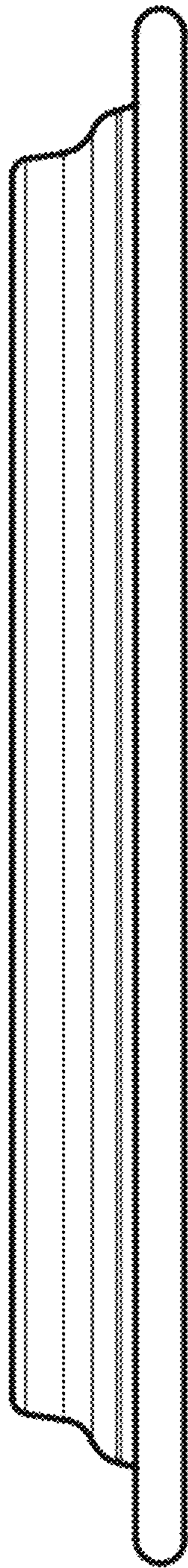
6.2



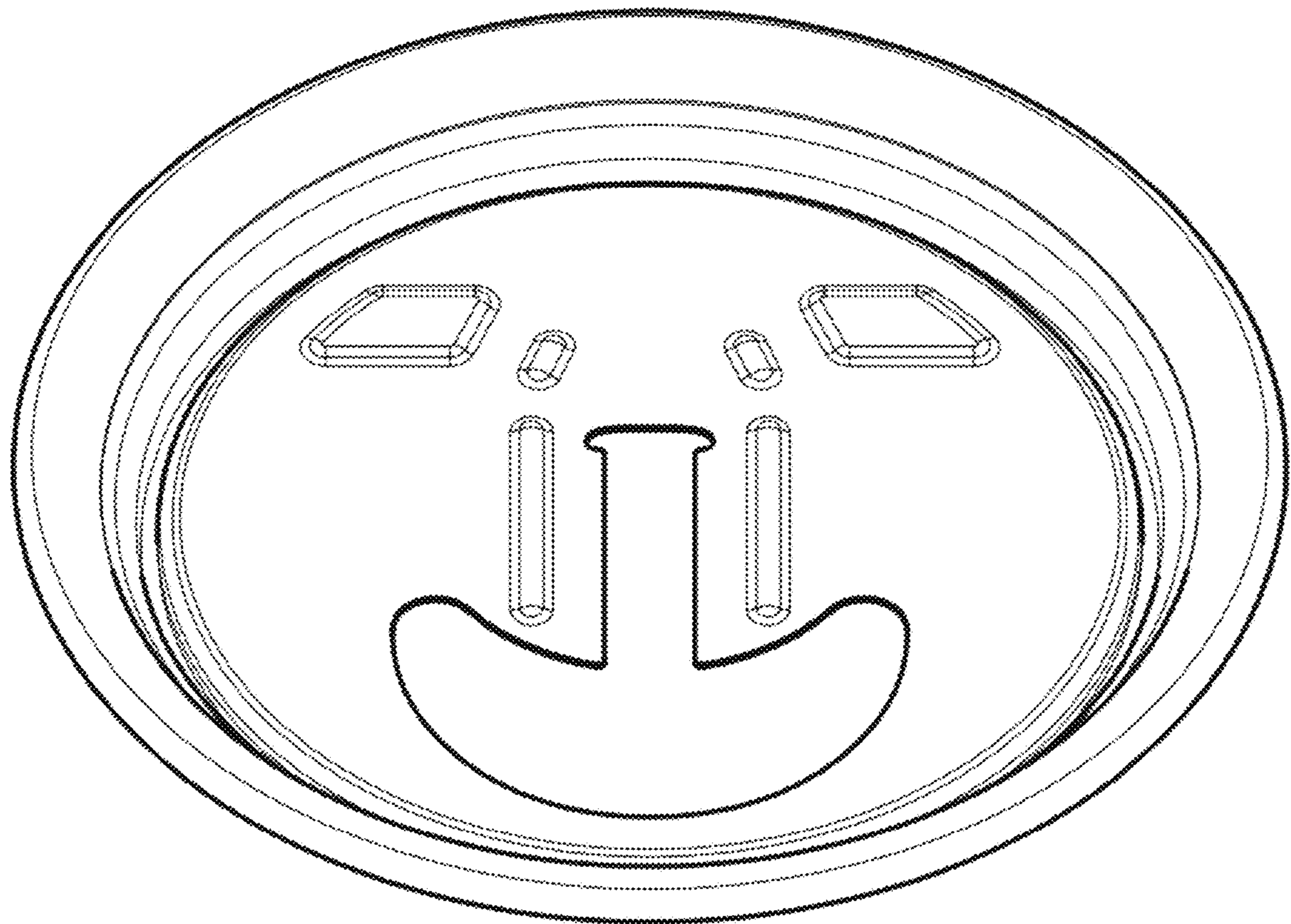
6.3



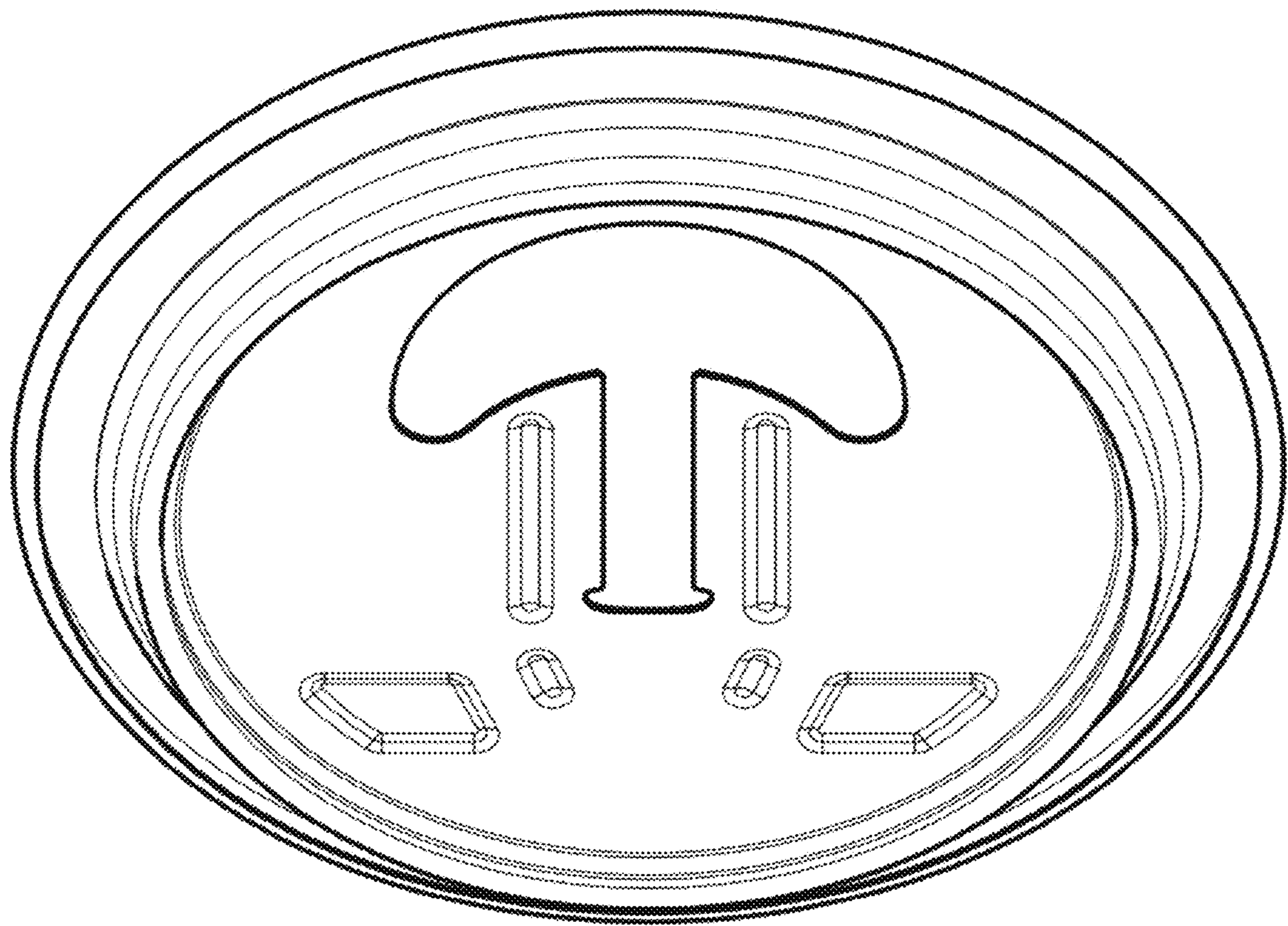
6.4



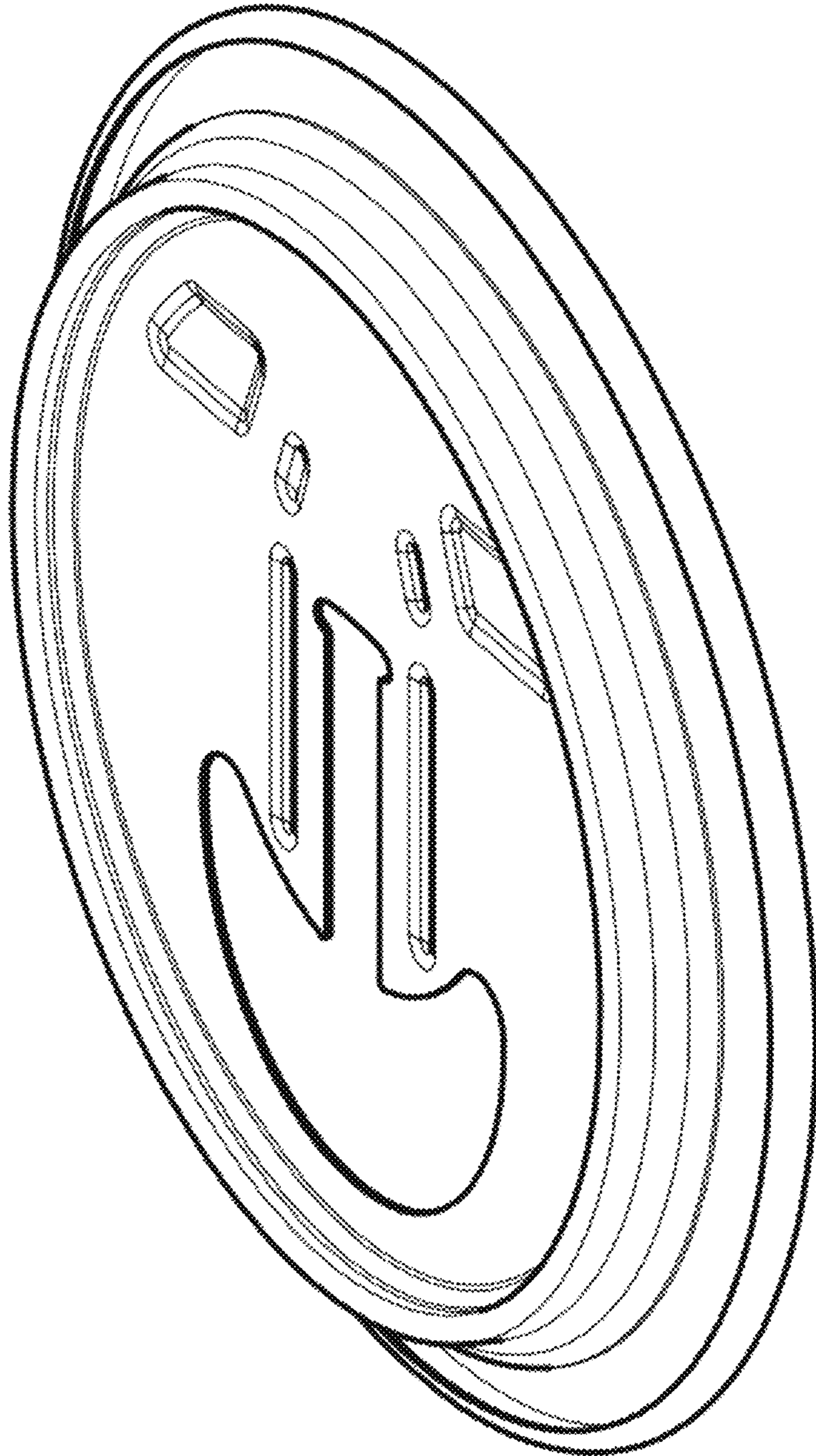
6.5



6.6

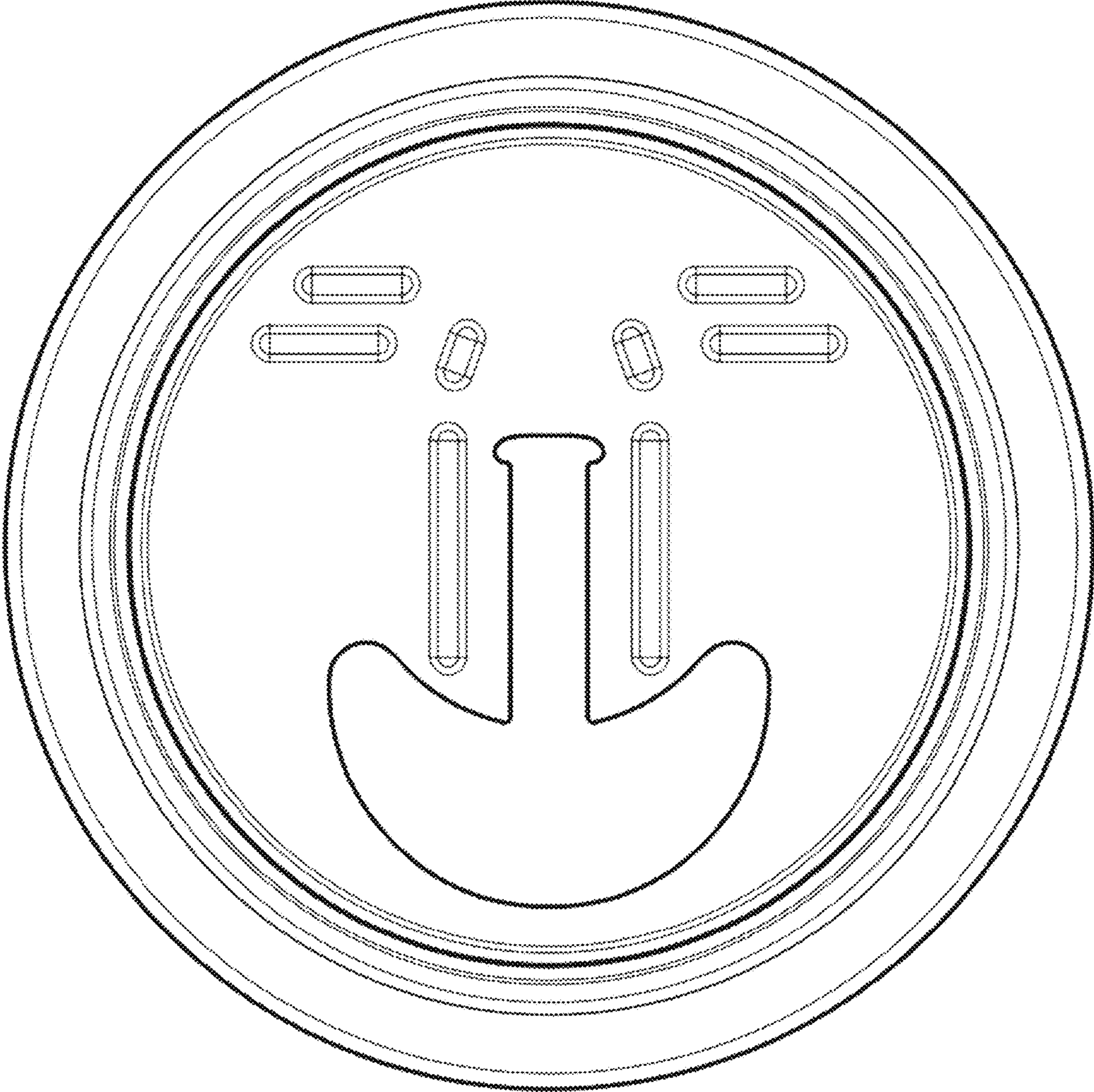


6.7

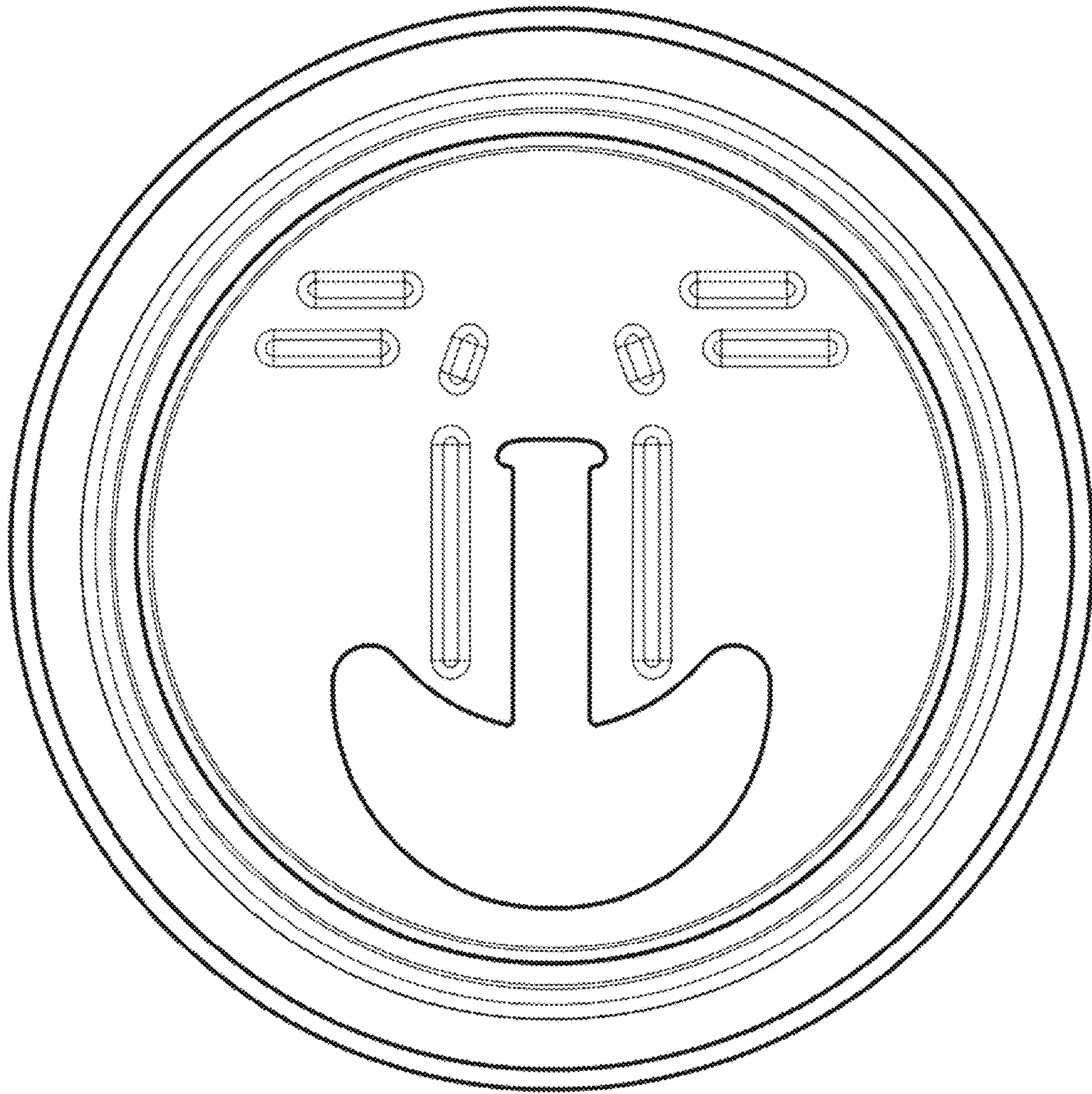




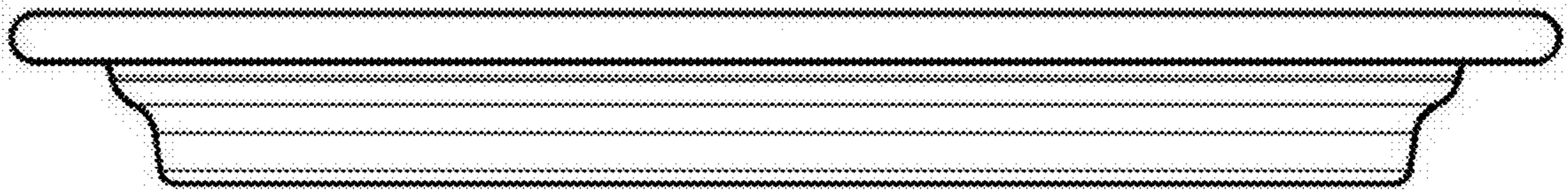
7.1



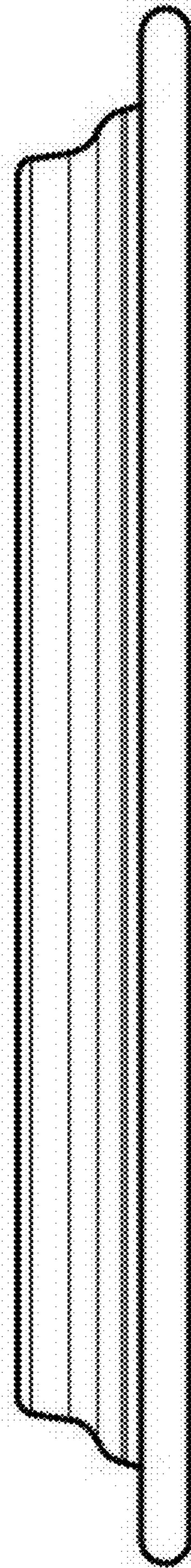
7.2



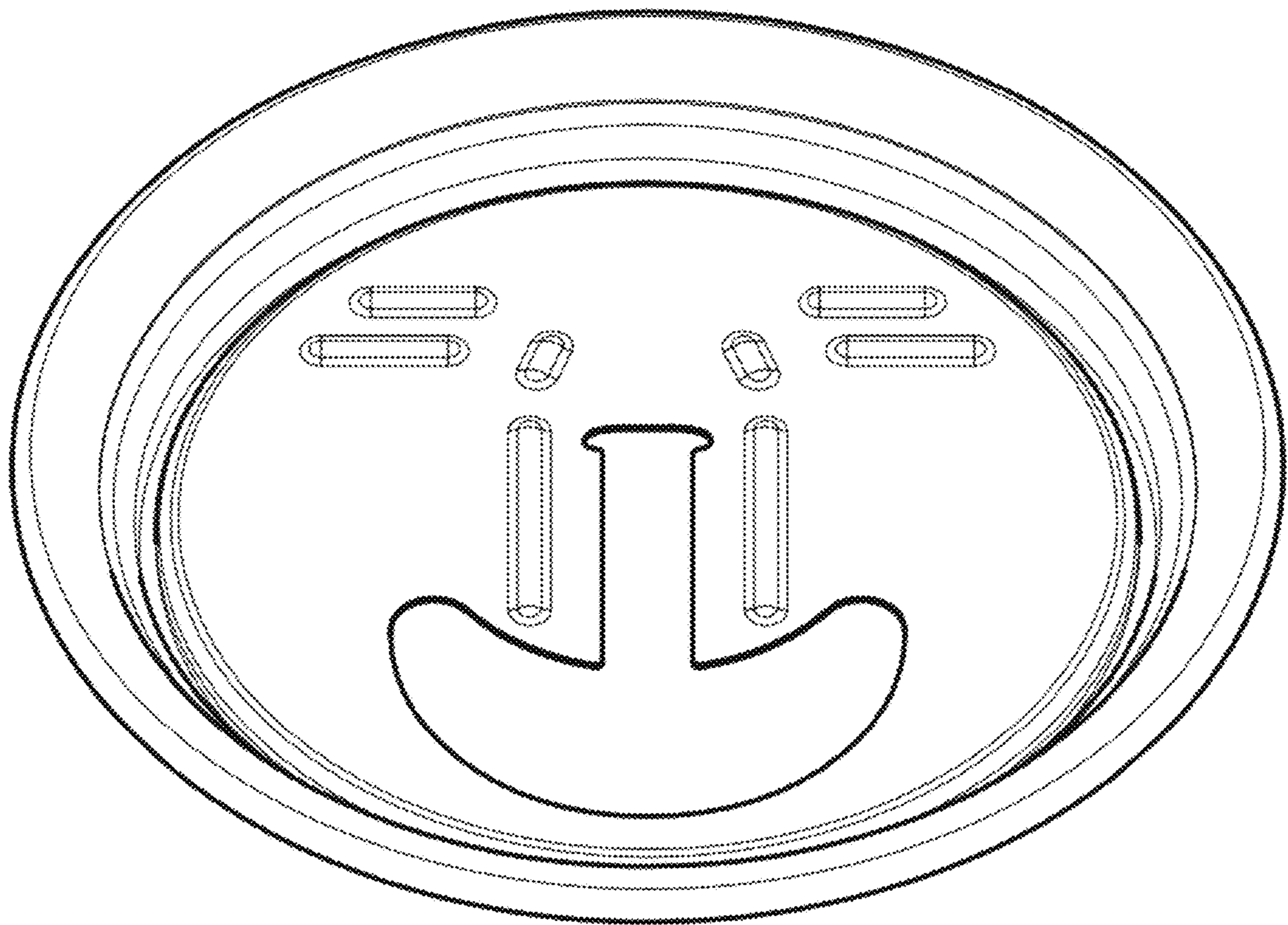
7.3



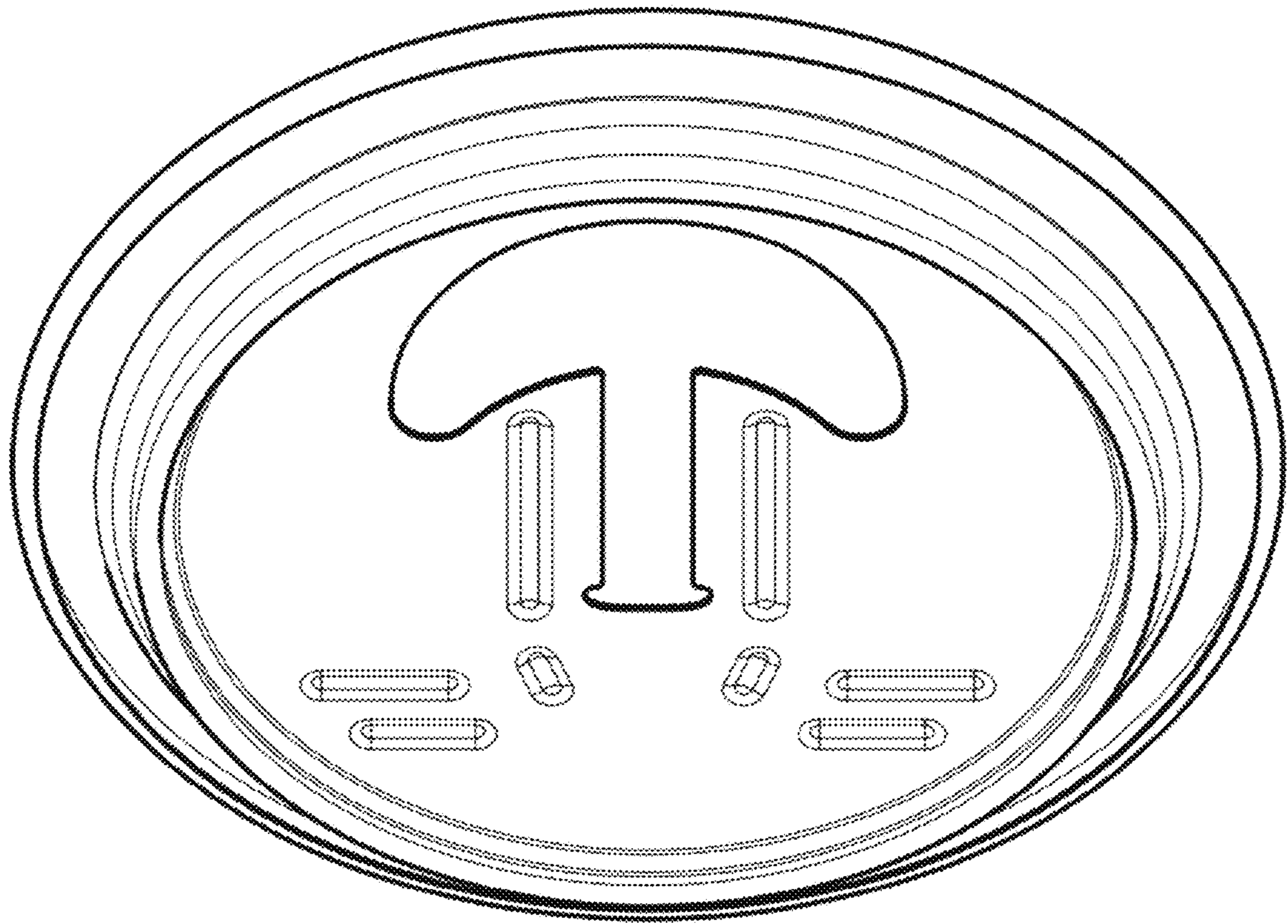
7.4



7.5



7.6



7.7

