



US00D959893S

(12) **United States Design Patent**
Tian

(10) **Patent No.:** **US D959,893 S**

(45) **Date of Patent:** **** Aug. 9, 2022**

(54) **MANUAL COFFEE GRINDER**

(71) Applicant: **Shenzhen Fanpuguizhen E-Commerce Co., Ltd.**, Guangdong (CN)

(72) Inventor: **Zhaoyang Tian**, Guangdong (CN)

(73) Assignee: **Shenzhen Fanpuguizhen E-Commerce Co., Ltd.**, Guangdong (CN)

(**) Term: **15 Years**

(21) Appl. No.: **29/803,201**

(22) Filed: **Aug. 11, 2021**

(51) **LOC (13) Cl.** **31-00**

(52) **U.S. Cl.**
USPC **D7/373**

(58) **Field of Classification Search**
USPC D7/372, 373, 376–386, 412–413, 602, D7/629, 665–666, 669, 679, 693–694
CPC A21C 1/02; A21C 1/04; A23N 1/00; A23N 1/02; A47J 43/04; A47J 43/25; A47J 43/27; A47J 43/042; A47J 43/044; A47J 43/046; A47J 43/075; A47J 43/0722; A47J 43/0727; B01F 3/00; B01F 3/0807; B01F 3/0853; B01F 13/0059; B01F 13/0064; B02C 1/08; B02C 2/04; B02C 4/42; B02C 4/142; B02C 4/143; B02C 4/423; B02C 13/1835; B28C 5/10; B28C 5/12; B28C 5/14; B28C 5/16
See application file for complete search history.

(56) **References Cited**

U.S. PATENT DOCUMENTS

D397,919 S * 9/1998 Chiu D7/679
D700,006 S * 2/2014 Braune D7/373

D700,007 S * 2/2014 Braune D7/373
D756,700 S * 5/2016 Warman D7/373
D876,883 S * 3/2020 Cheng D7/679
D909,808 S * 2/2021 Amar D7/373
D912,459 S * 3/2021 Kwon D7/373
D912,481 S * 3/2021 Brouillac D7/679

OTHER PUBLICATIONS

Normcore Manual Coffee Grinder. Date First Available on Amazon.com Jul. 23, 2021. <https://www.amazon.com/Normcore-Manual-Coffee-Grinder-Contemporary/dp/B0963PFDB3/ref> (Year: 2021).*

* cited by examiner

Primary Examiner — Ricky Pham

(74) *Attorney, Agent, or Firm* — ScienBiziP, P.C.

(57) **CLAIM**

The ornamental design for a manual coffee grinder, as shown and described.

DESCRIPTION

FIG. 1 is a front, right, and top perspective view of a manual coffee grinder, showing my design.

FIG. 2 is a rear, left, and bottom perspective view thereof.

FIG. 3 is a front elevation view thereof.

FIG. 4 is a rear elevation view thereof.

FIG. 5 is a left side elevation view thereof.

FIG. 6 is a right side elevation view thereof.

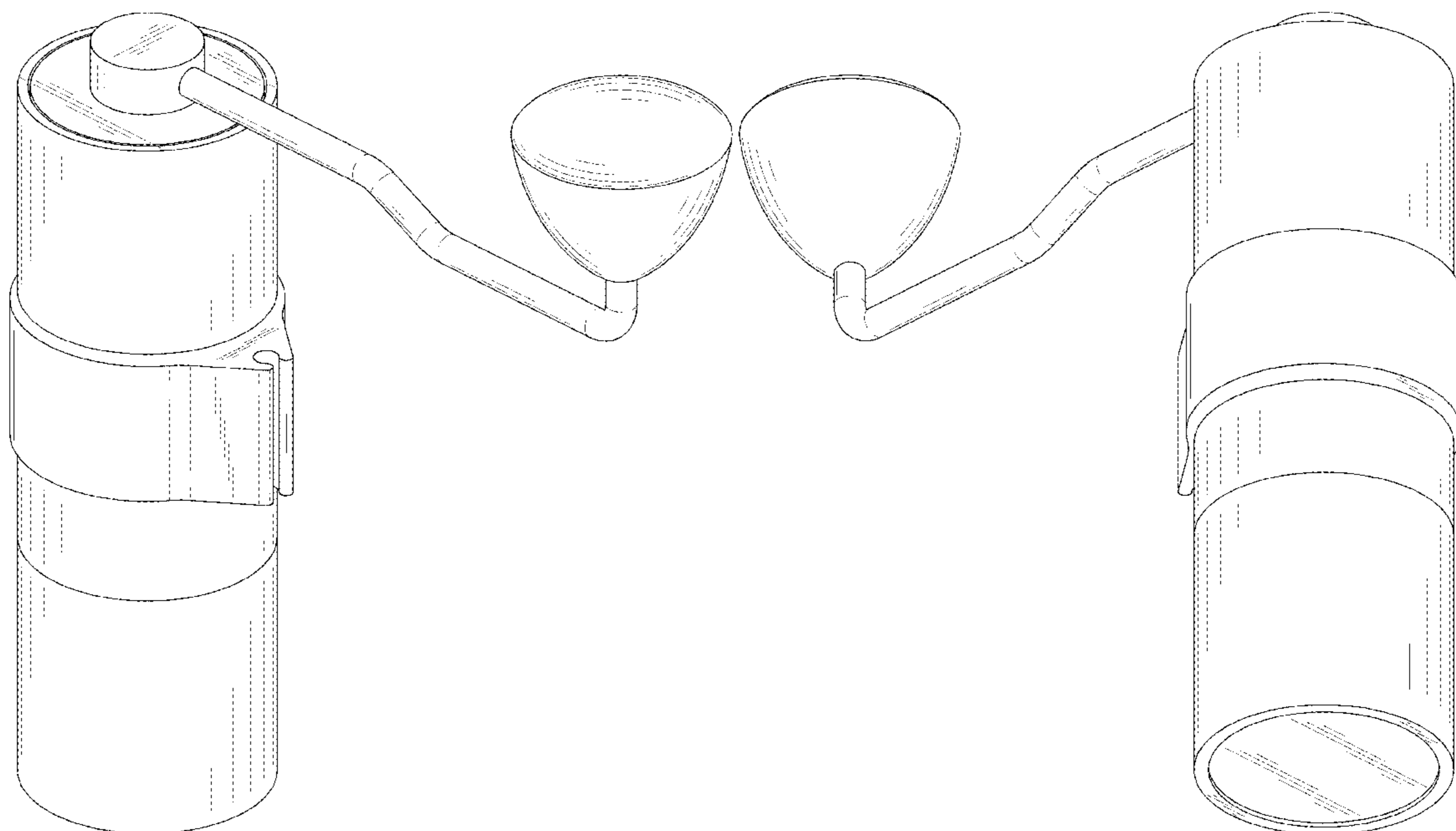
FIG. 7 is a top plan view thereof.

FIG. 8 is a bottom plan view thereof; and,

FIG. 9 is another front, right, and top perspective view of the manual coffee grinder, wherein the manual coffee grinder is in a folded state.

The broken lines shown in the drawings are included for the purpose of illustrating portions of the manual coffee grinder that form no part of the claimed design.

1 Claim, 9 Drawing Sheets



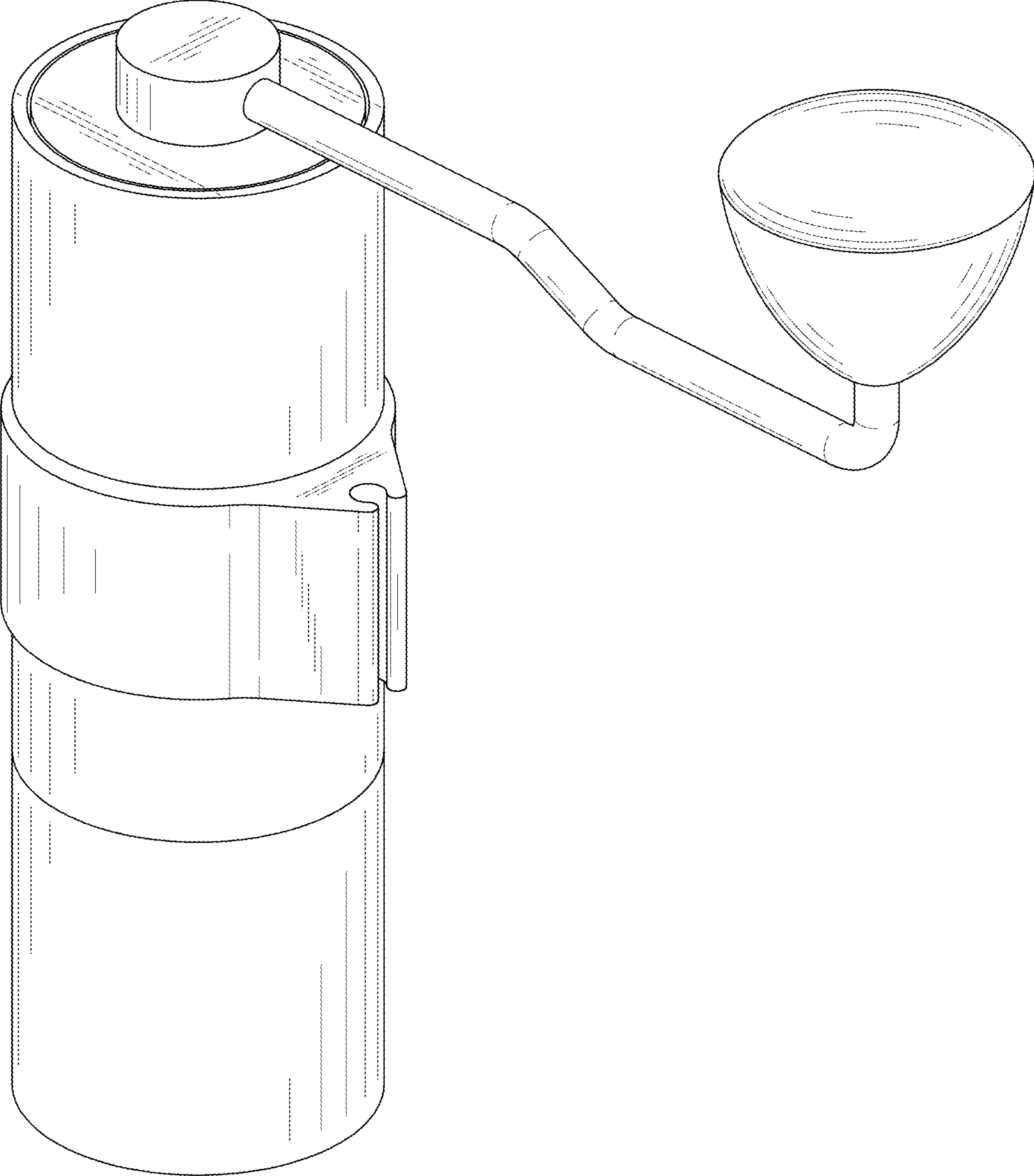


FIG. 1

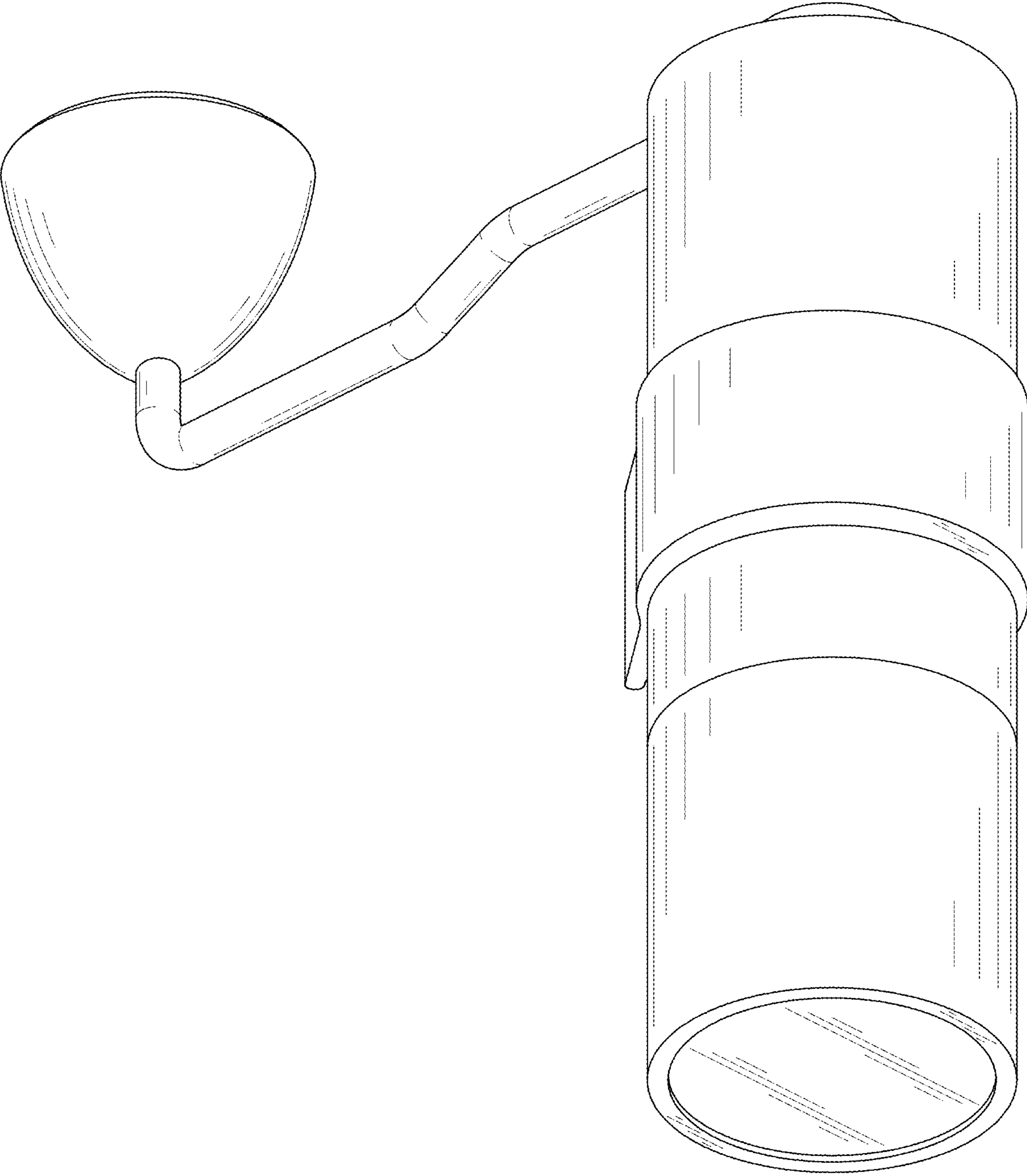


FIG. 2

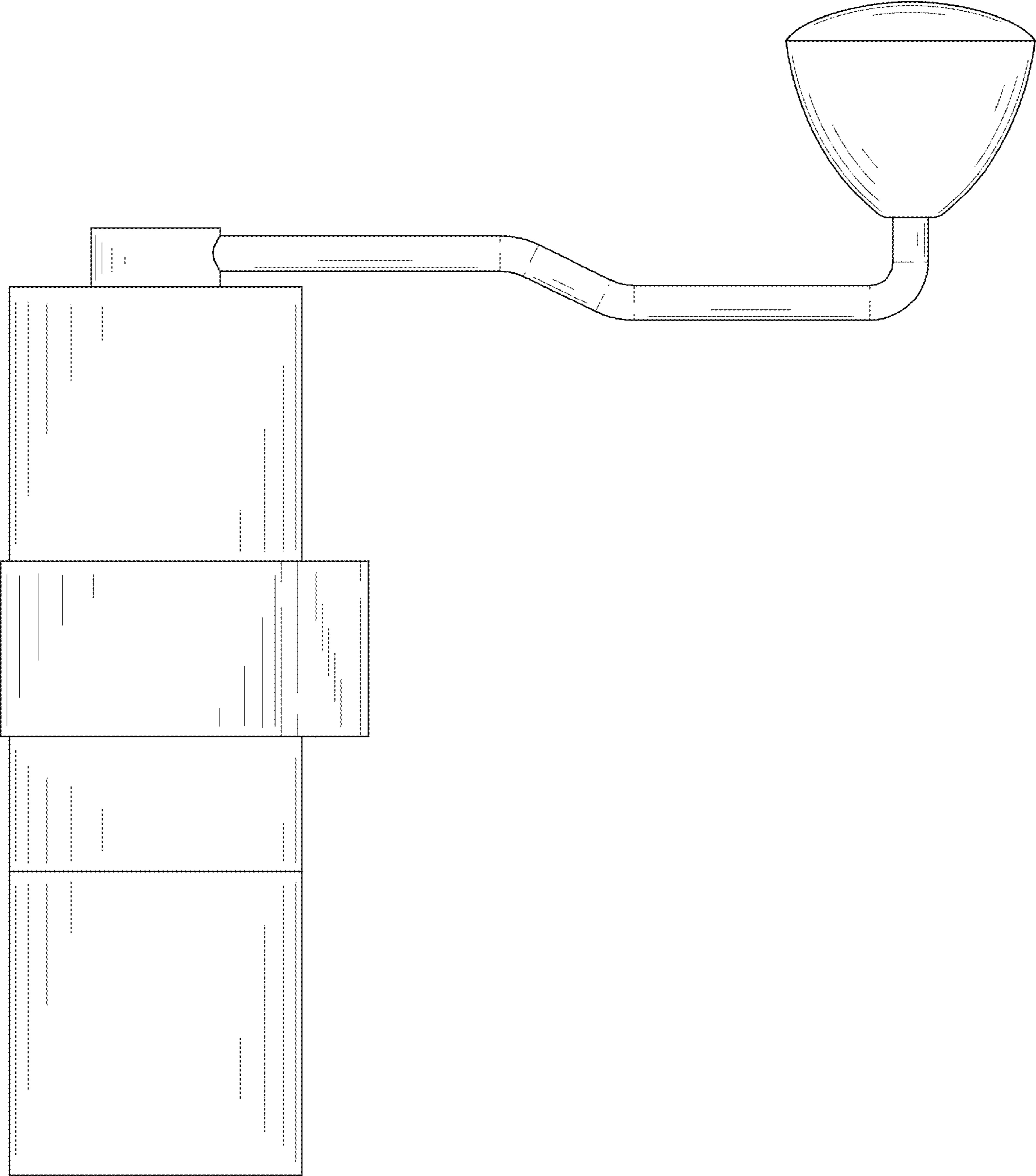


FIG. 3

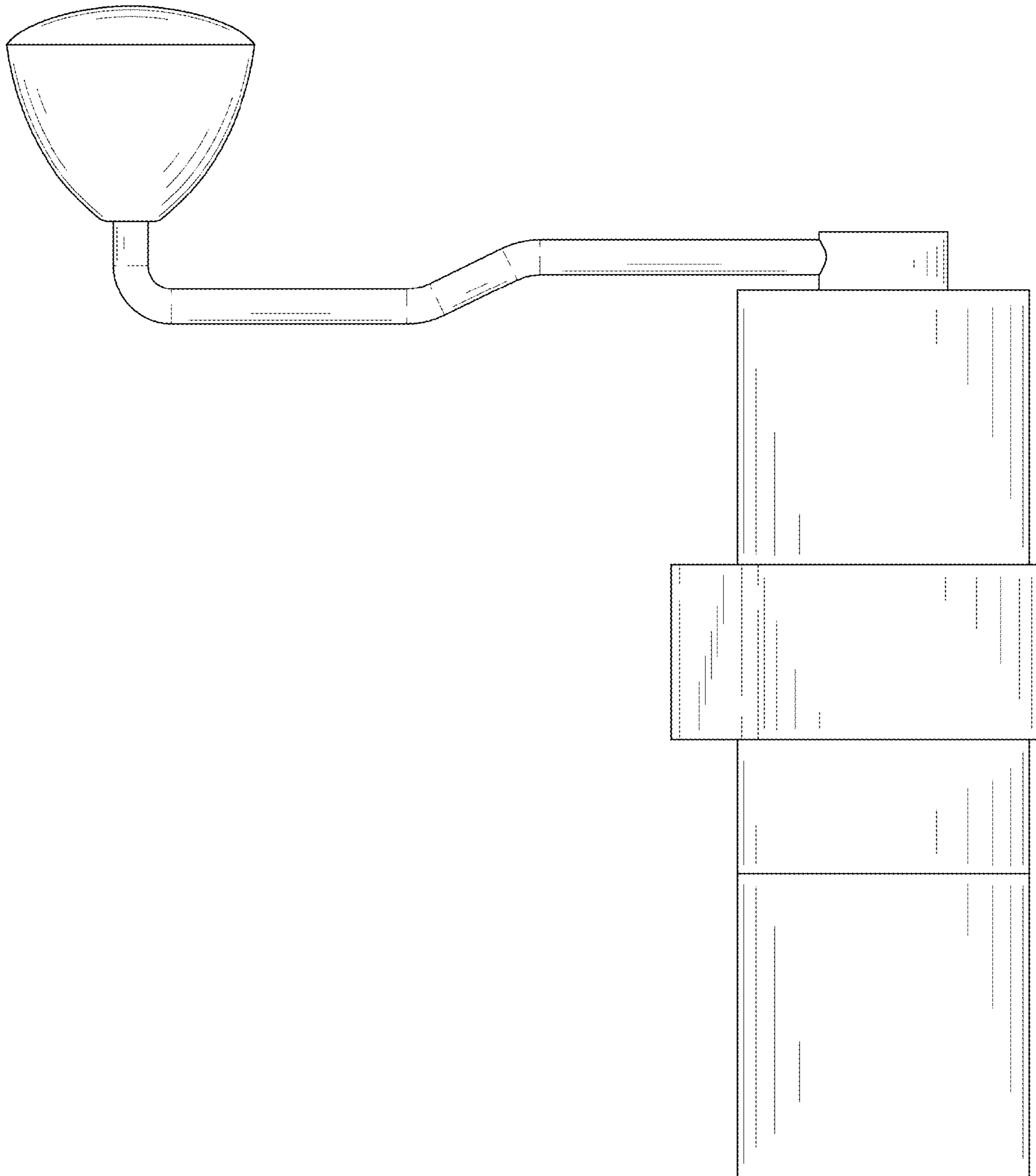


FIG. 4

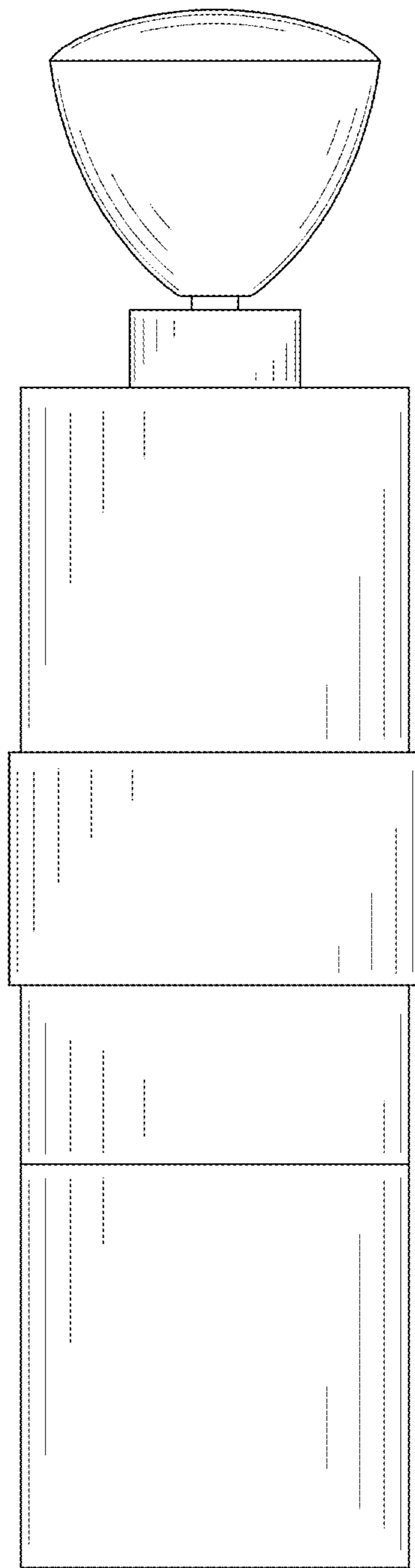


FIG. 5

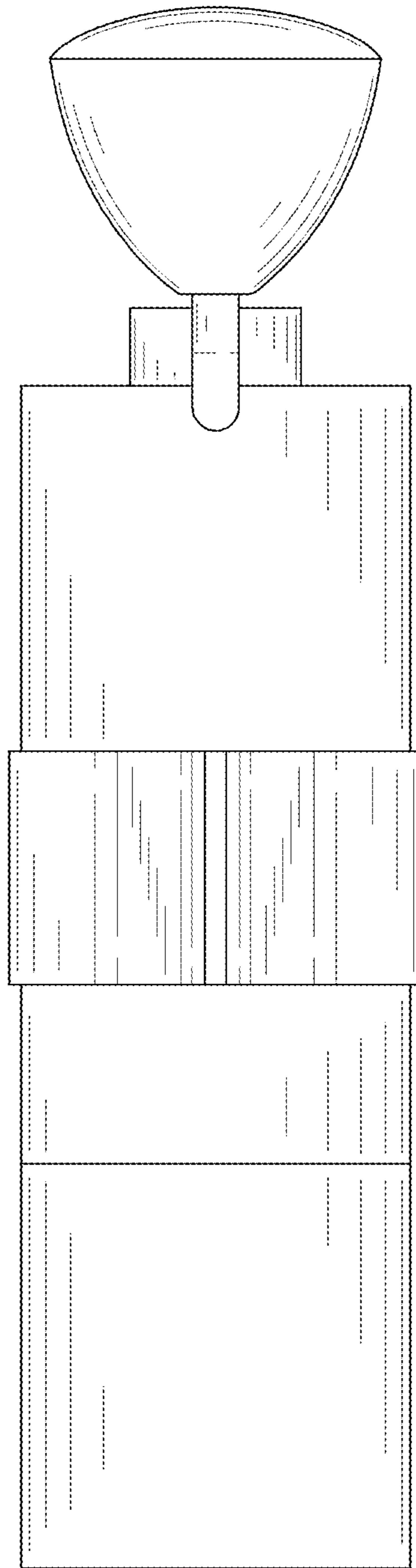


FIG. 6

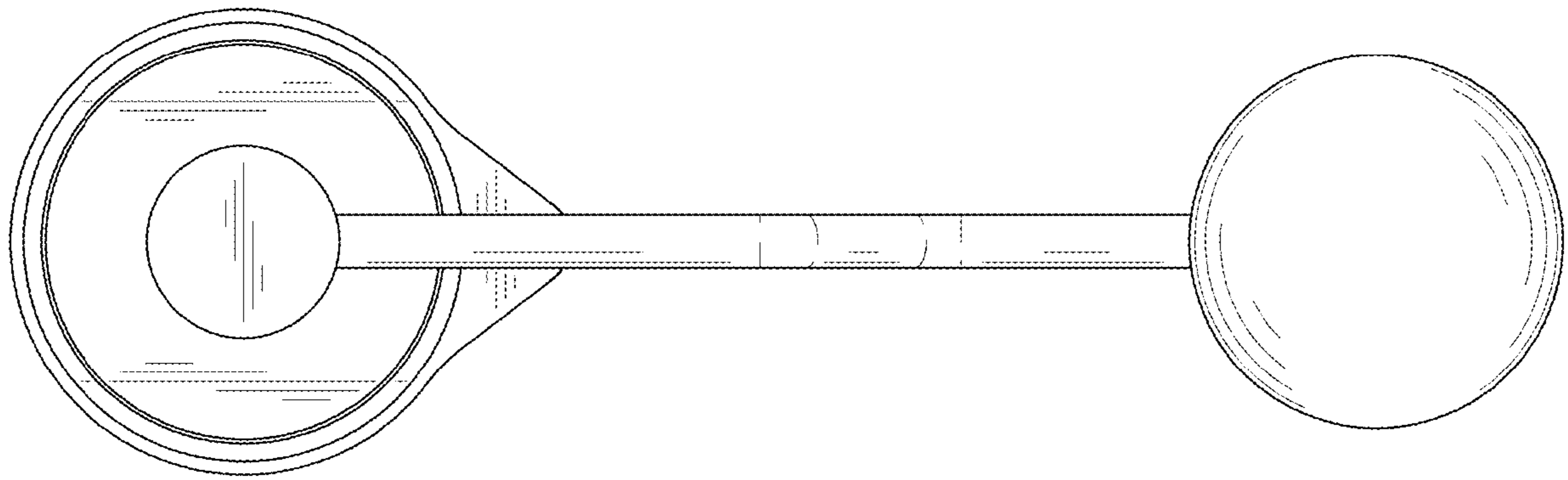


FIG. 7

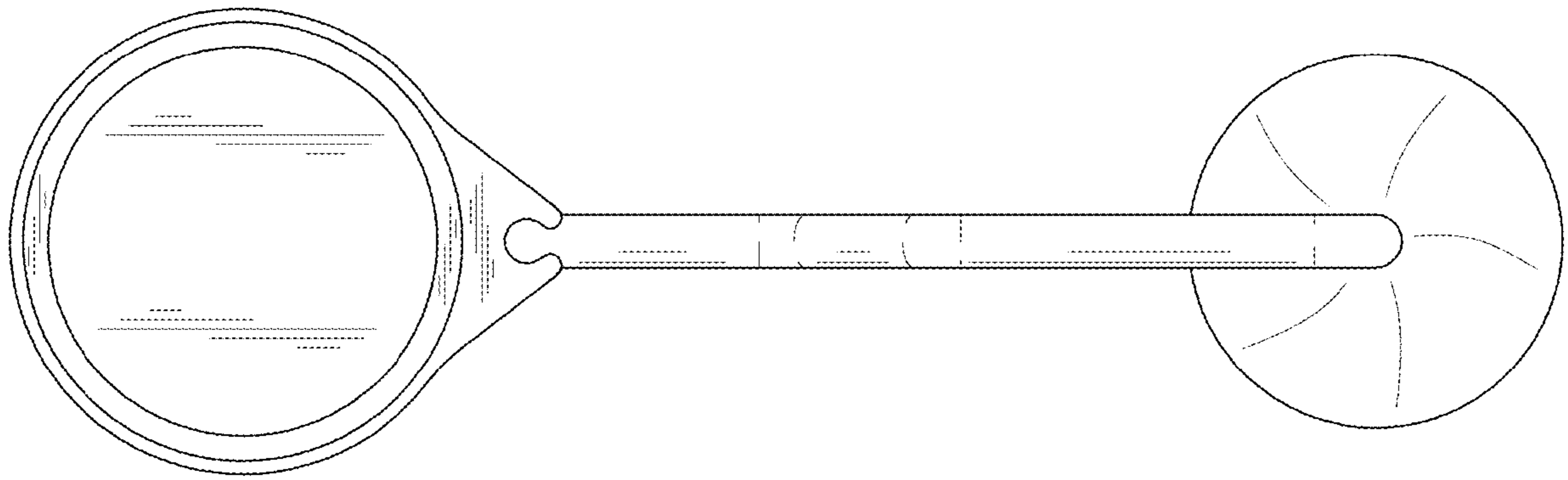


FIG. 8

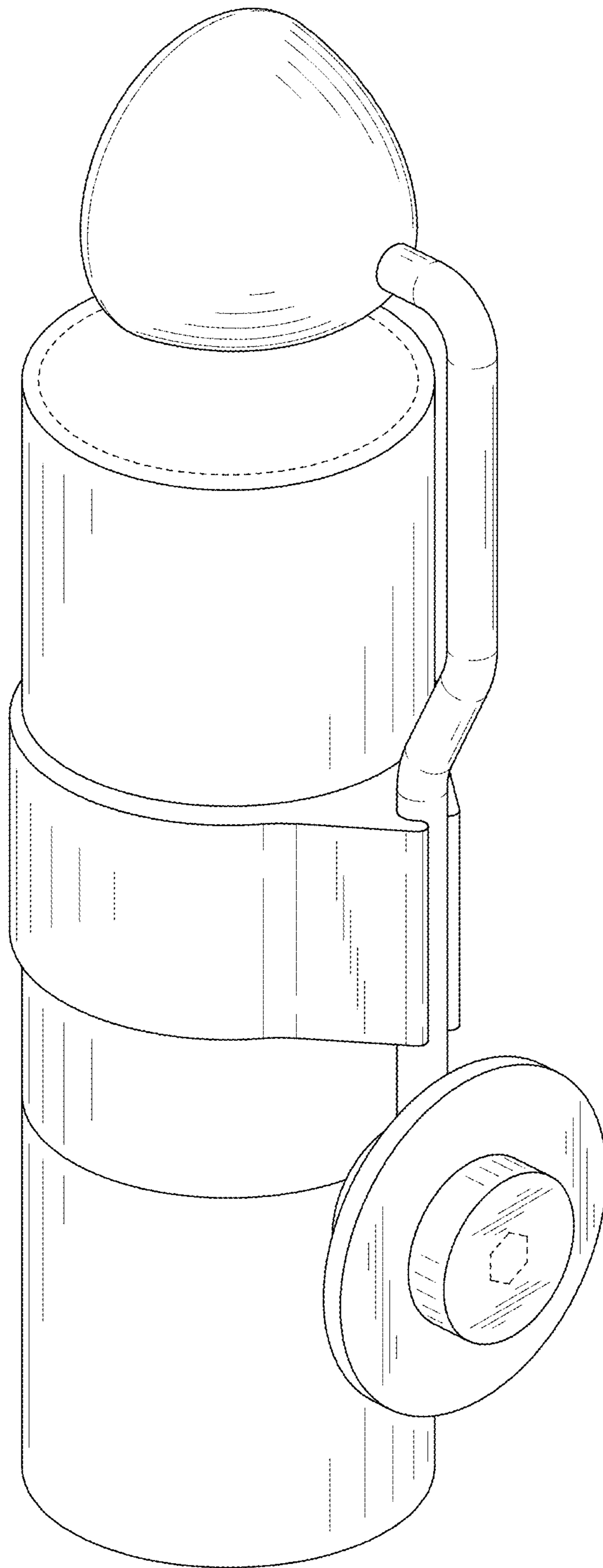


FIG. 9