



US00D959888S

(12) **United States Design Patent**
Lim et al.

(10) **Patent No.:** **US D959,888 S**

(45) **Date of Patent:** **** Aug. 9, 2022**

(54) **BED WITH STERILIZING BAR**

(71) Applicant: **LG ELECTRONICS INC.**, Seoul (KR)

(72) Inventors: **Jaemyung Lim**, Seoul (KR); **Eunkyung Noh**, Seoul (KR); **Jimin Yuk**, Seoul (KR); **Hojae Jung**, Seoul (KR); **Keunho Ju**, Seoul (KR); **Jeongguen Choi**, Seoul (KR); **Deung Hwangbo**, Seoul (KR)

(73) Assignee: **LG ELECTRONICS INC.**, Seoul (KR)

(**) Term: **15 Years**

(21) Appl. No.: **29/719,939**

(22) Filed: **Jan. 8, 2020**

(30) **Foreign Application Priority Data**

Jul. 25, 2019 (KR) 30-2019-0035846

(51) **LOC (13) Cl.** **06-06**

(52) **U.S. Cl.**
USPC **D6/718; D24/217**

(58) **Field of Classification Search**
USPC **D6/382, 383, 606, 718; D24/217; D26/51; D32/17**

(Continued)

(56) **References Cited**

U.S. PATENT DOCUMENTS

D140,141 S * 1/1945 Glatthar D24/217
D205,192 S * 7/1966 Shearin D26/51

(Continued)

OTHER PUBLICATIONS

“8W Quartz Ozone UVC Sterilizer.” Found online Mar. 22, 2022 at www.alitools.io Product reviewed Jul. 28, 2020. Retrieved from

URL: <https://alitools.io/en/showcase/8w-quartz-ozone-uvc-sterilizer-t5-germicidal-tube-bedroom-hotel-bactericidal-hospital-disinfection-light-33050418833> (Year: 2020).*

Primary Examiner — Mary Ann Calabrese

Assistant Examiner — Katelin G Kloberg

(74) *Attorney, Agent, or Firm* — Birch, Stewart, Kolasch & Birch, LLP

(57) **CLAIM**

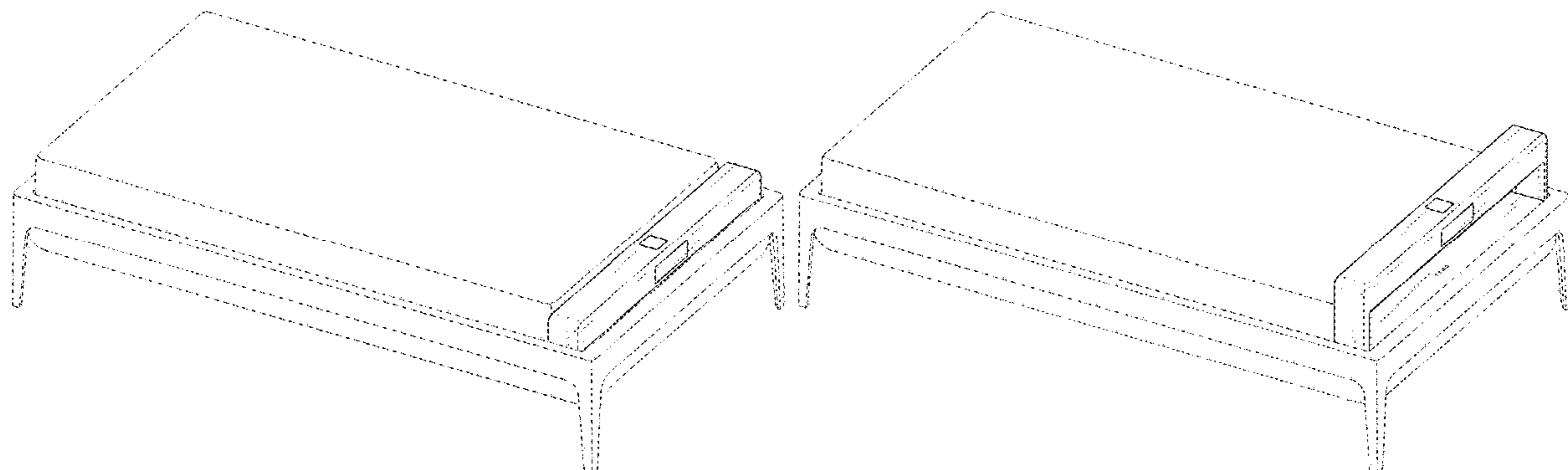
We claim the ornamental design for a bed with sterilizing bar, as shown and described.

DESCRIPTION

FIG. 1 is a perspective view of a bed with sterilizing bar showing the new design;
FIG. 2 is a front elevation view thereof;
FIG. 3 is a rear elevation view thereof;
FIG. 4 is a left side elevation view thereof;
FIG. 5 is a right side elevation view thereof;
FIG. 6 is a top plan view thereof;
FIG. 7 is a bottom plan view thereof;
FIG. 8 is a perspective view of the bed with sterilizing bar showing a state of the bar rising upward from the bed frame;
FIG. 9 is a front elevation view thereof;
FIG. 10 is a rear elevation view thereof;
FIG. 11 is a left side elevation view thereof;
FIG. 12 is a right side elevation view thereof;
FIG. 13 is a top plan view thereof;
FIG. 14 is a bottom plan view thereof;
FIG. 15 is a perspective view of the bed with sterilizing bar showing a state of the bar sterilizing a mattress;
FIG. 16 is a front elevation view thereof;
FIG. 17 is a rear elevation view thereof;
FIG. 18 is a left side elevation view thereof;
FIG. 19 is a right side elevation view thereof;
FIG. 20 is a top plan view thereof; and,
FIG. 21 is a bottom plan view thereof.

The broken lines depict portions of the bed with sterilizing bar that form no part of the claimed design.

1 Claim, 21 Drawing Sheets



(58) **Field of Classification Search**

CPC A61L 2/10; A61L 2202/11; A61L 2202/14;
 A61L 9/20; A61L 2202/25; A61L
 2202/26; A61L 2209/12; A61L 2/24;
 A47C 31/007; A47C 17/86; A47L 7/008;
 F21S 8/063; F21V 21/15

See application file for complete search history.

(56) **References Cited**

U.S. PATENT DOCUMENTS

3,674,421 A * 7/1972 Decupper A61L 9/20
 422/120
 D240,762 S * 7/1976 Fraker D34/17
 D250,543 S * 12/1978 Lewis D24/217
 D280,155 S * 8/1985 Matthias D6/393
 D485,364 S * 1/2004 Lee D26/37
 D564,692 S * 3/2008 Pfund D26/142
 7,888,657 B1 * 2/2011 Zadro A61L 2/10
 250/455.11
 D759,264 S * 6/2016 Latchman-Bloom D24/217
 D851,789 S * 6/2019 Johnson D26/24
 D866,792 S * 11/2019 Latchman-Bloom D24/217
 D914,232 S * 3/2021 Poulsen D24/217
 D928,340 S * 8/2021 Chen D24/217
 D928,431 S * 8/2021 Kim D32/17
 D938,063 S * 12/2021 Williamson D24/217
 2019/0298869 A1 * 10/2019 Poulsen A61L 2/24
 2020/0170418 A1 * 6/2020 Oh A47C 21/044
 2020/0171183 A1 * 6/2020 Oh A61L 2/10
 2022/0040359 A1 * 2/2022 Shoenfeld A61L 9/20

* cited by examiner

FIG. 1

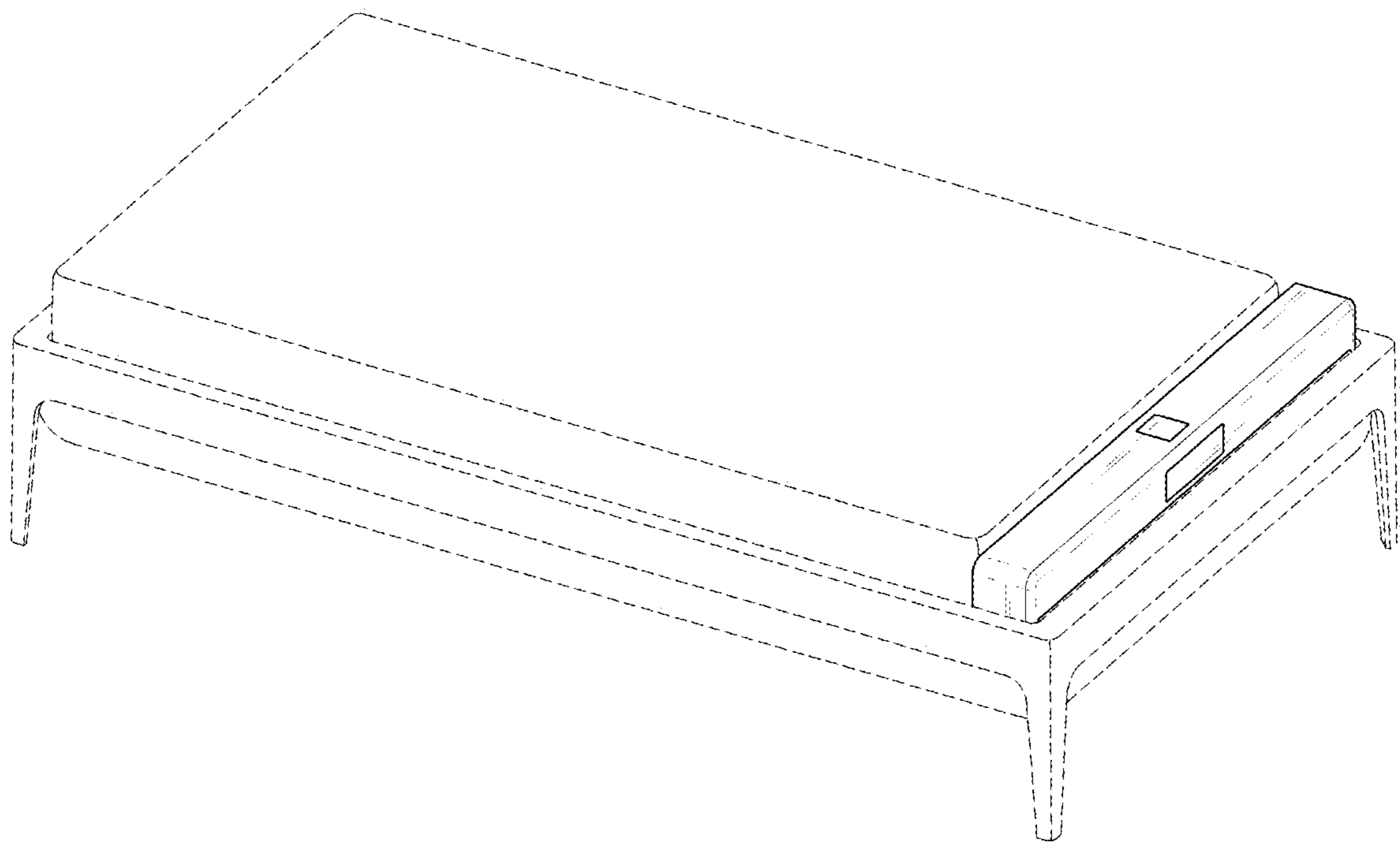


FIG. 2

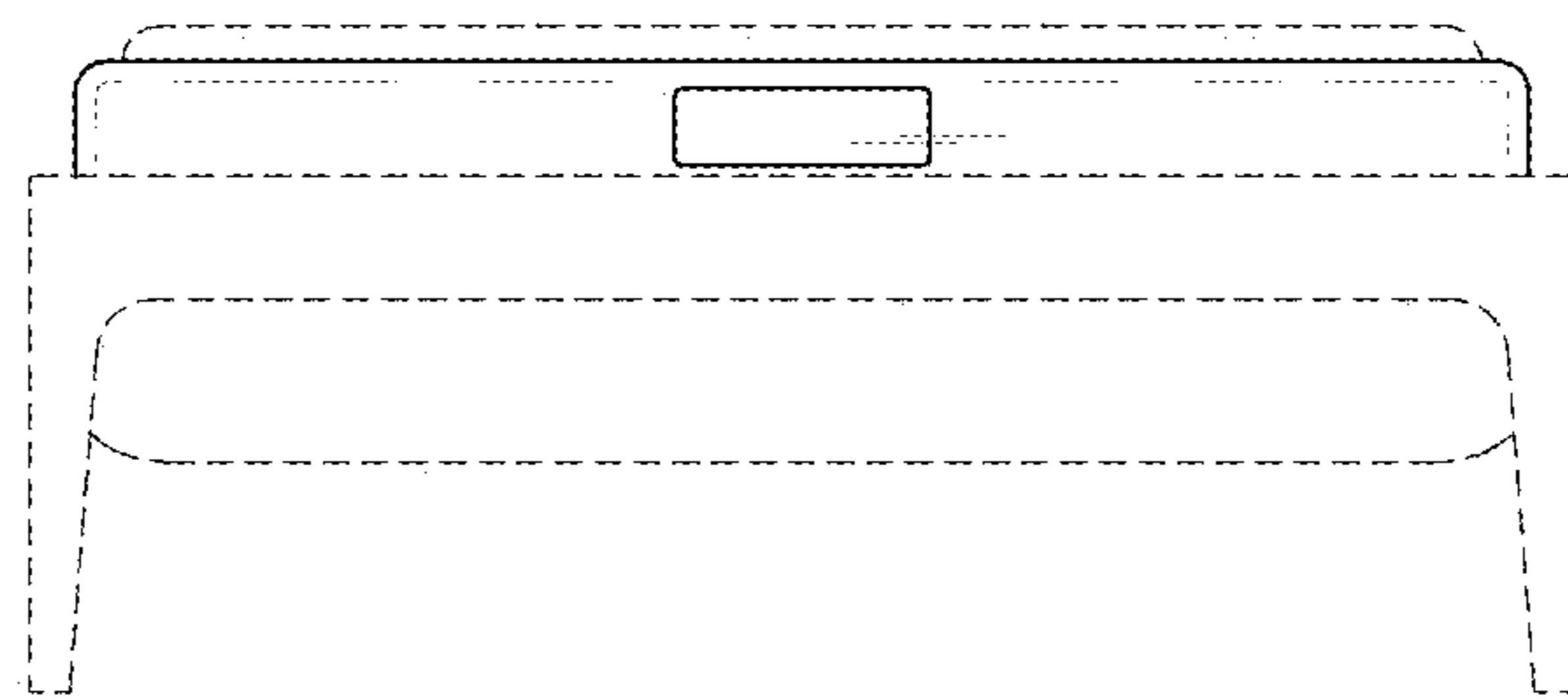


FIG. 3



FIG. 4



FIG. 5



FIG. 6

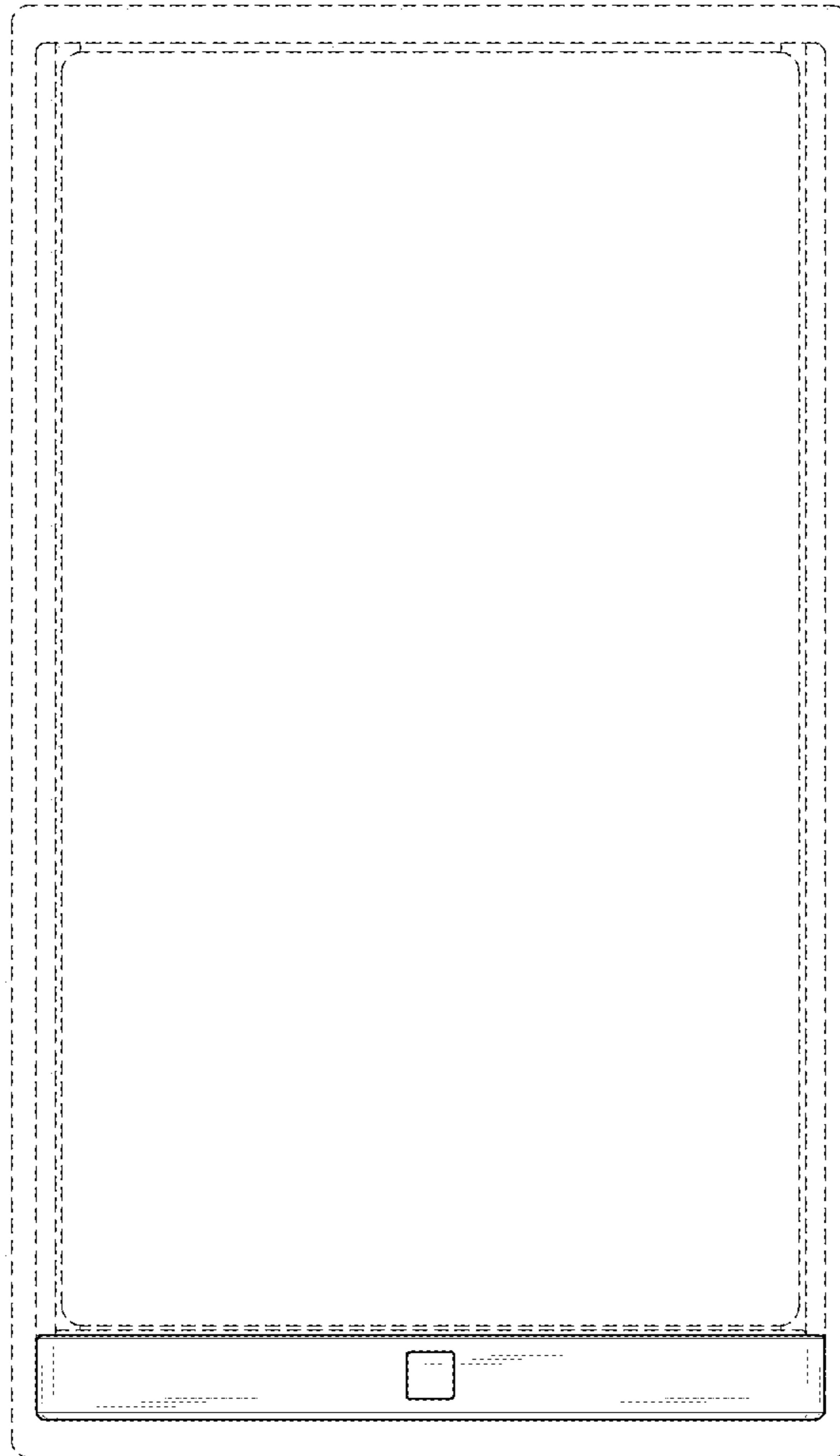


FIG. 7

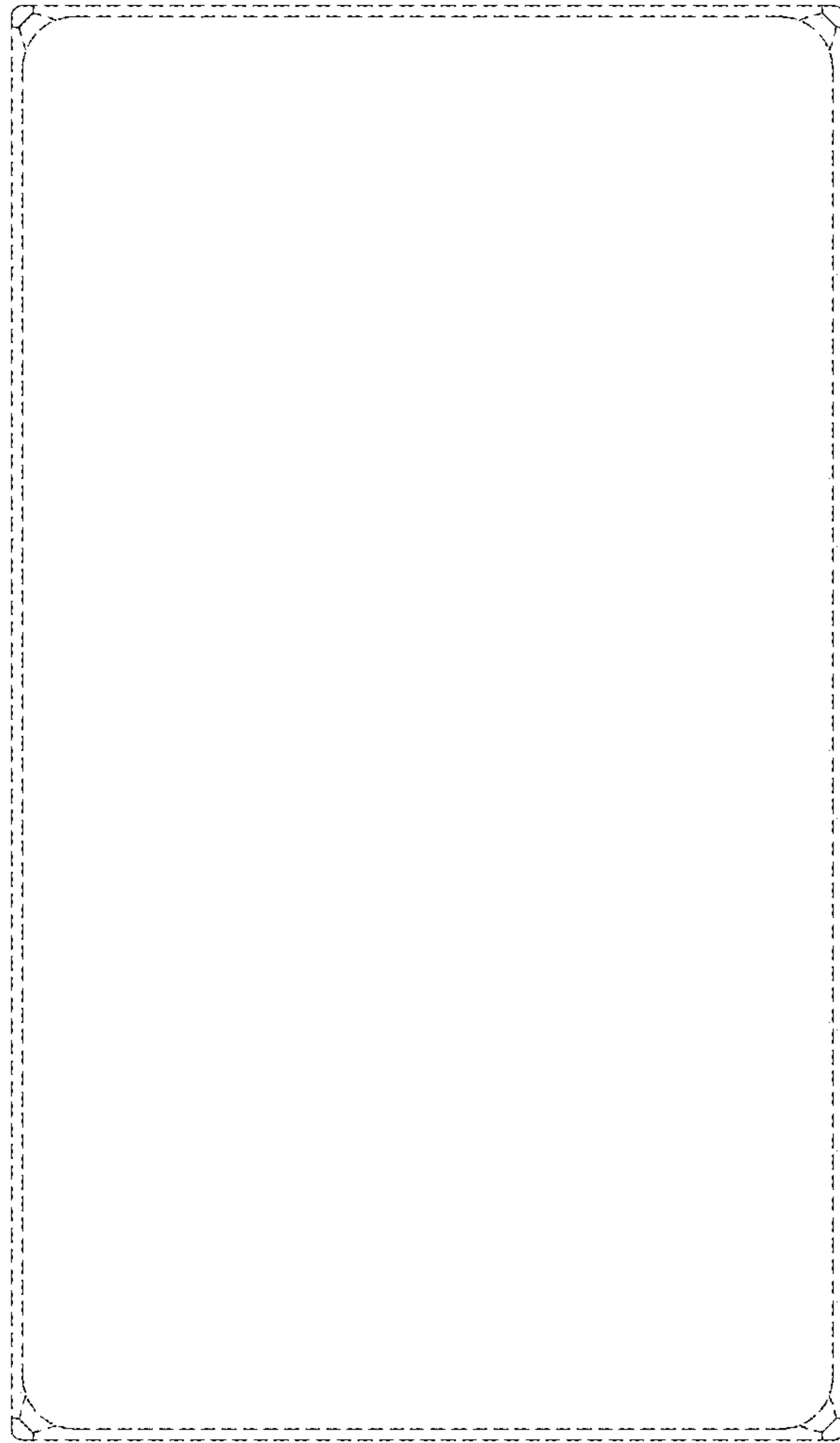


FIG. 8

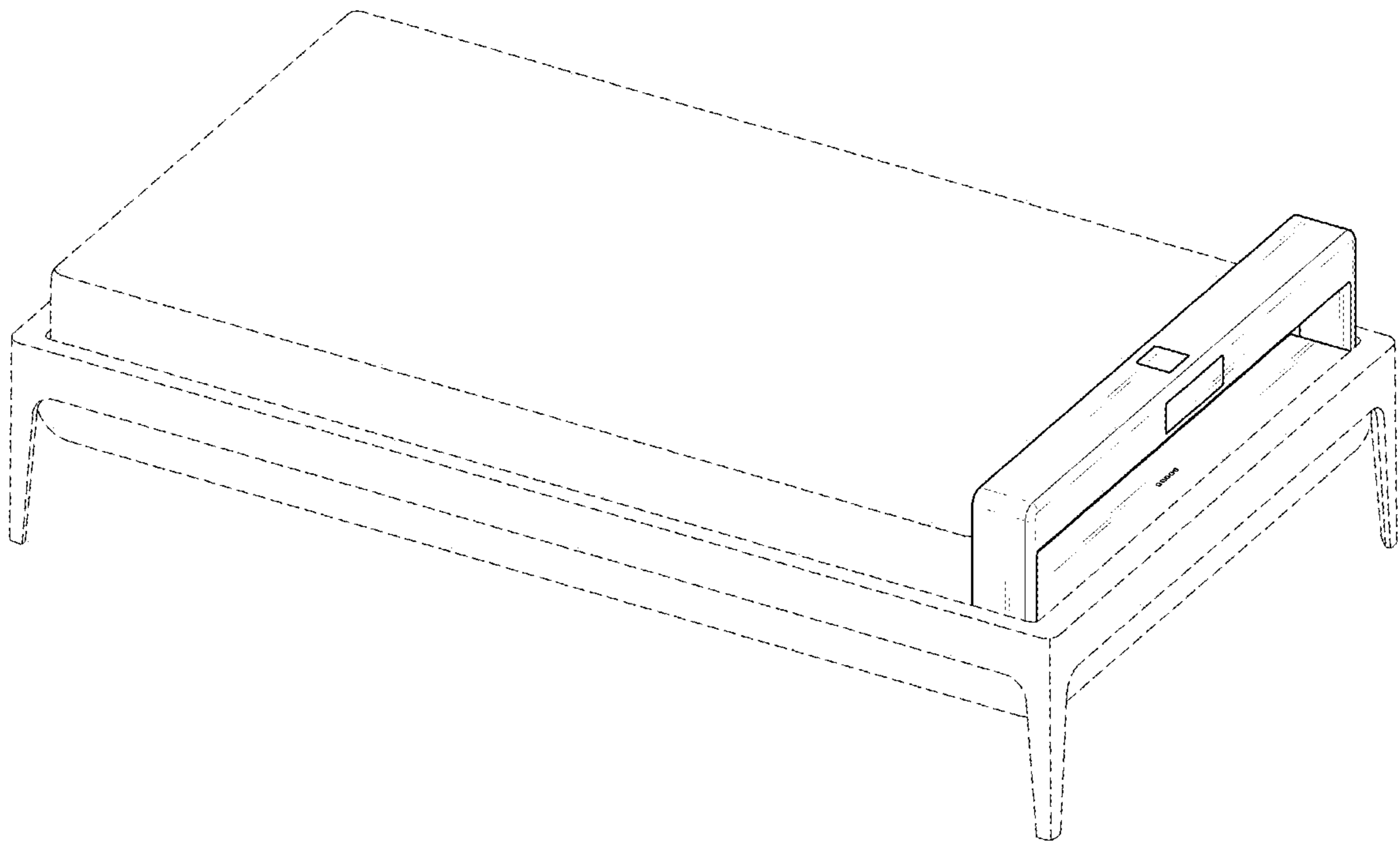


FIG. 9

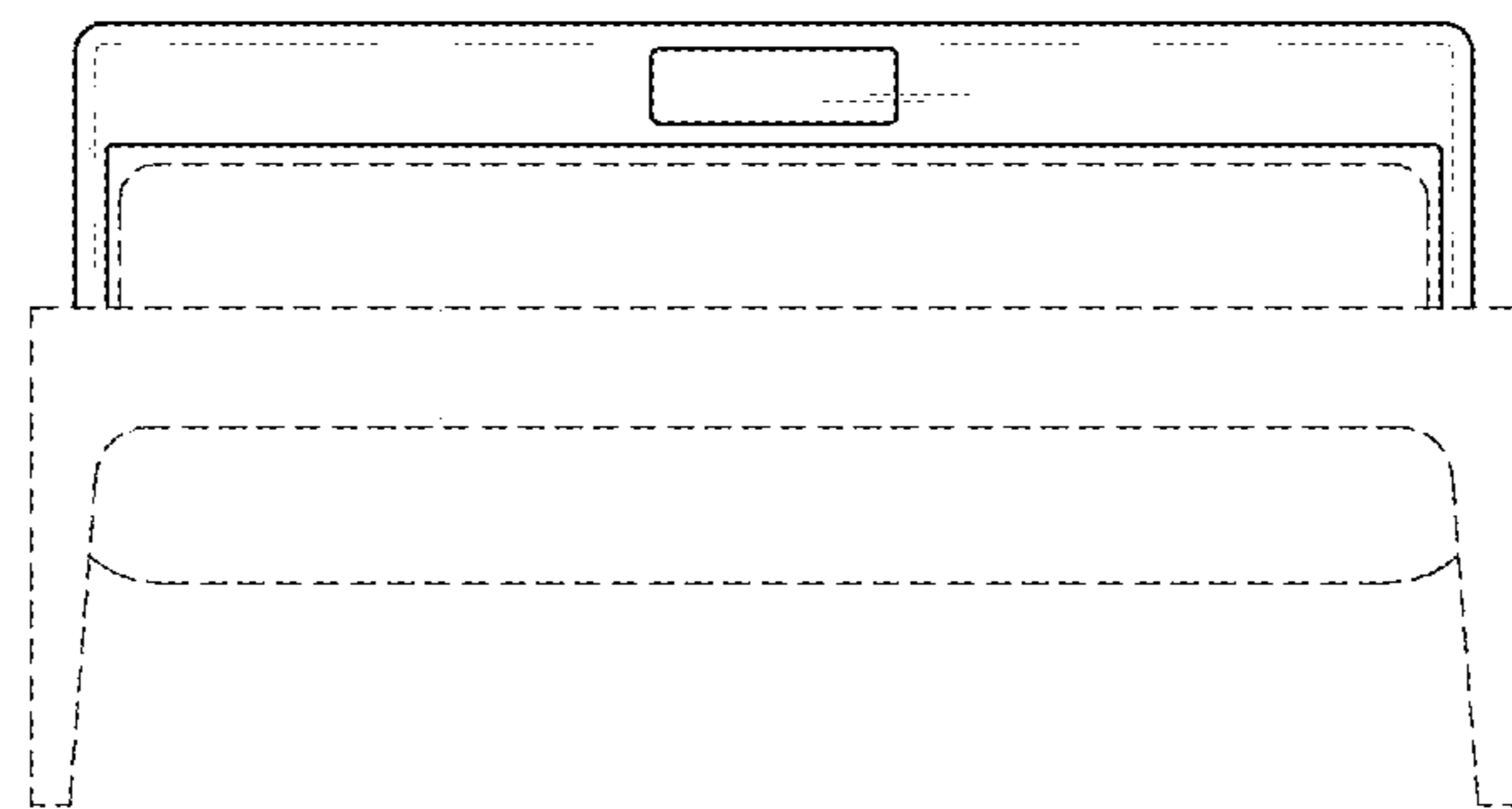


FIG. 10

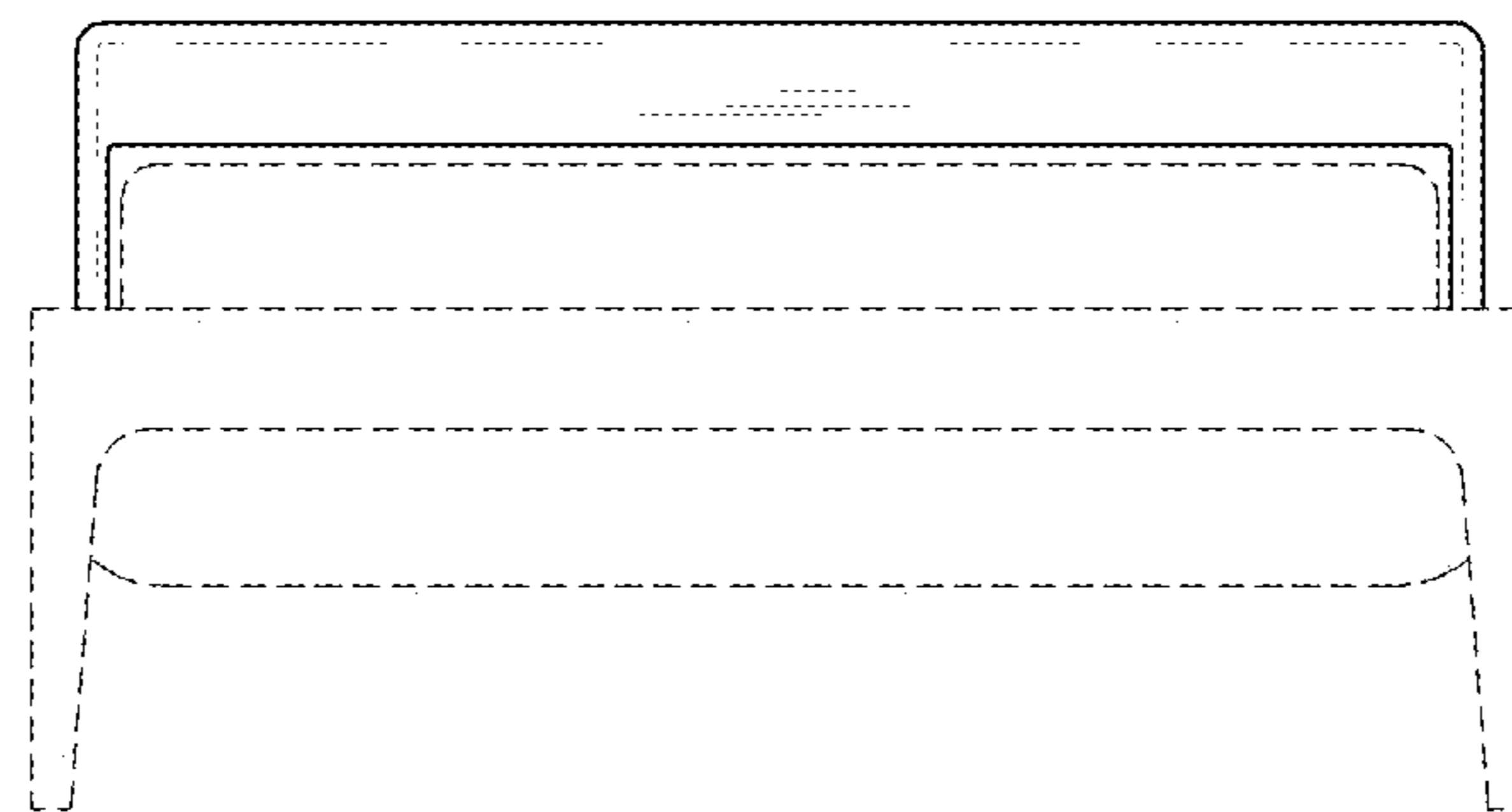


FIG. 11

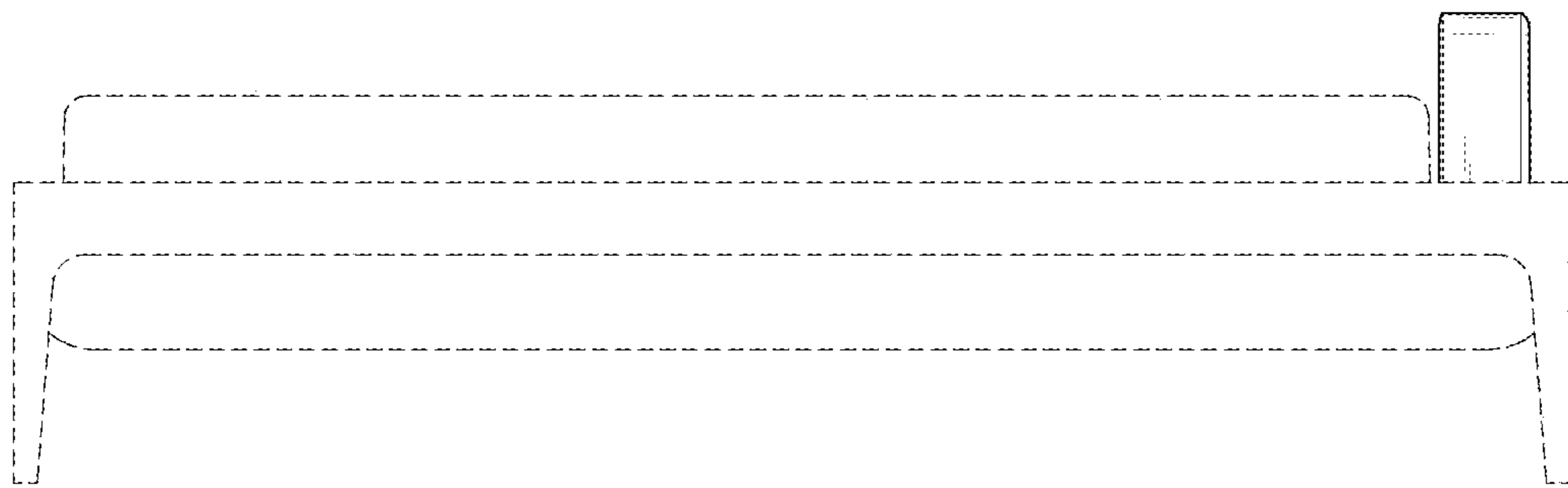


FIG. 12

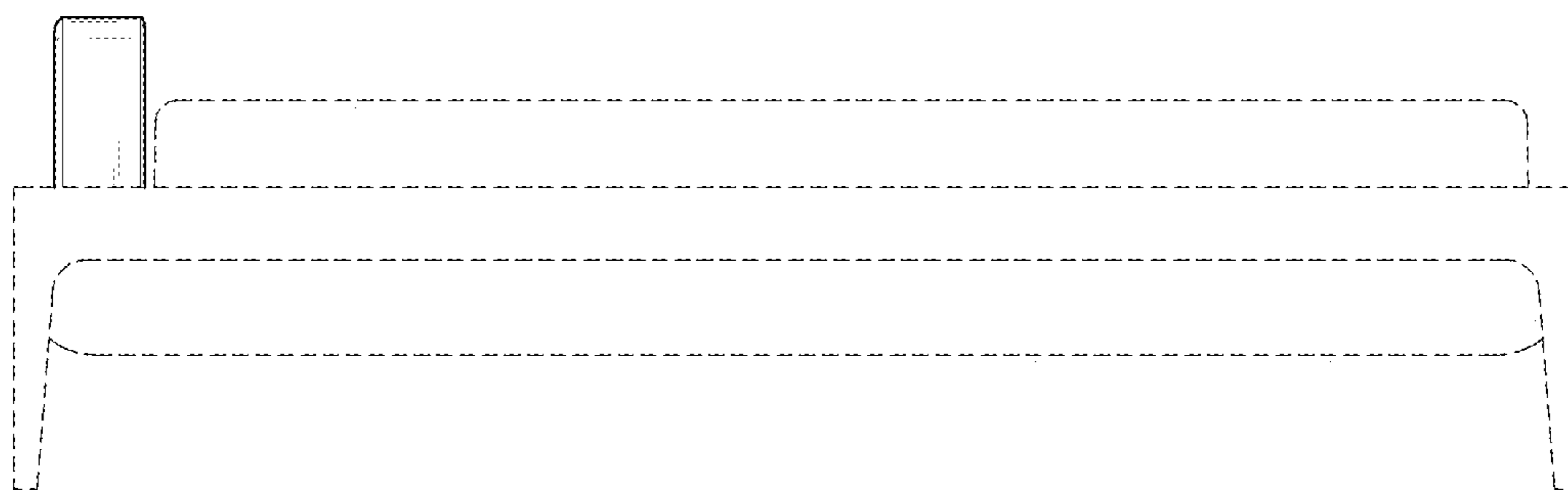


FIG. 13

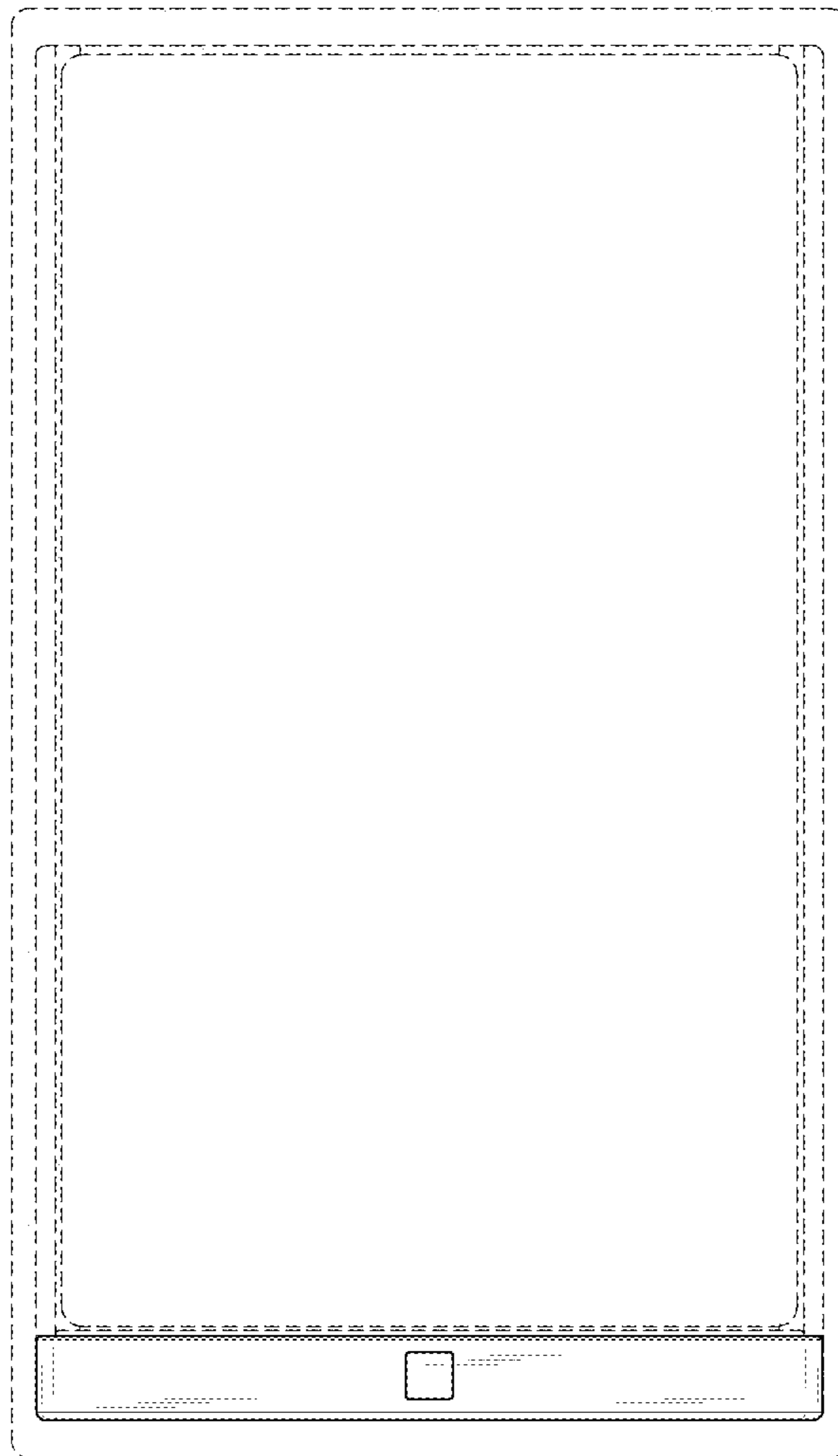


FIG. 14

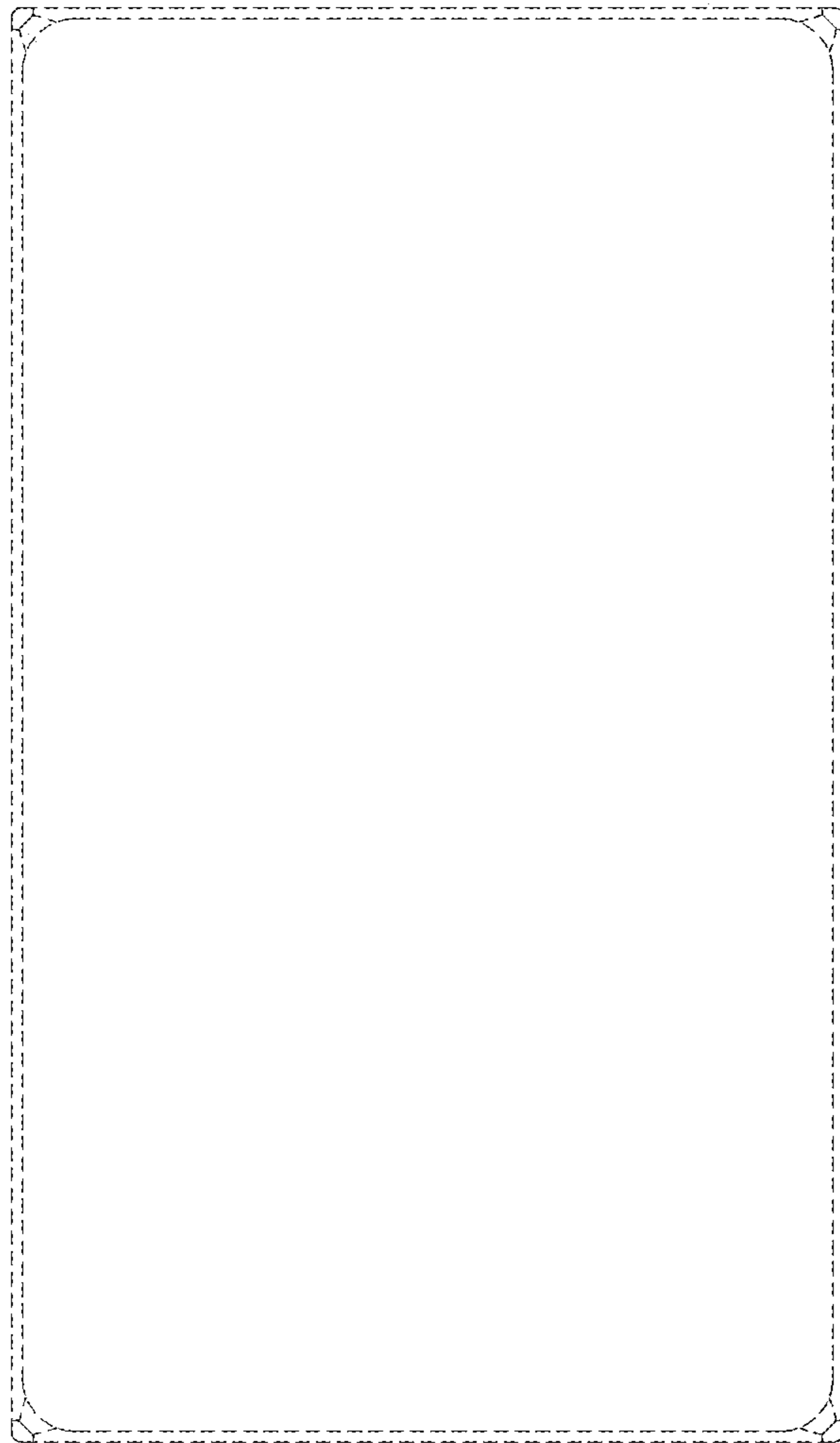


FIG. 15

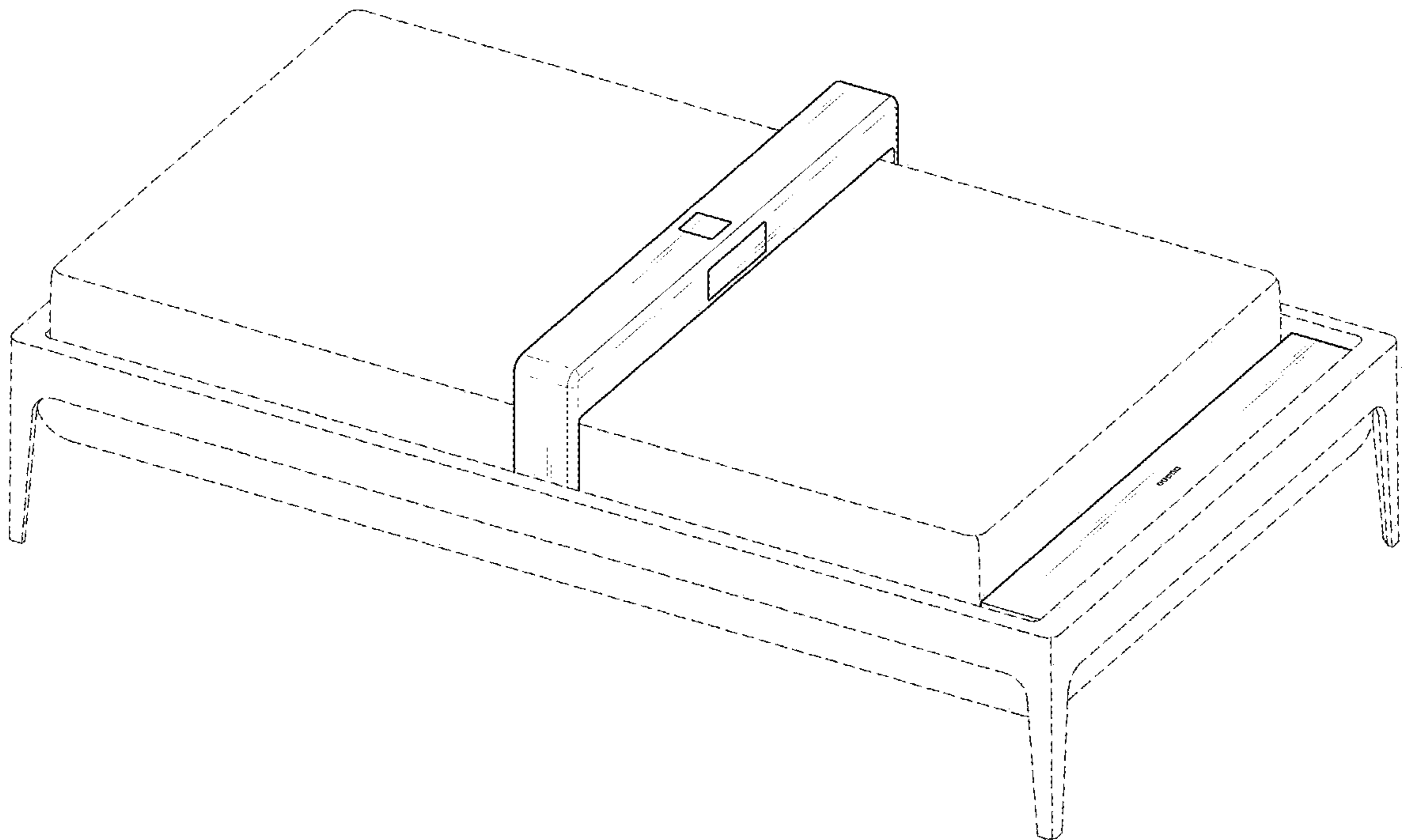


FIG. 16

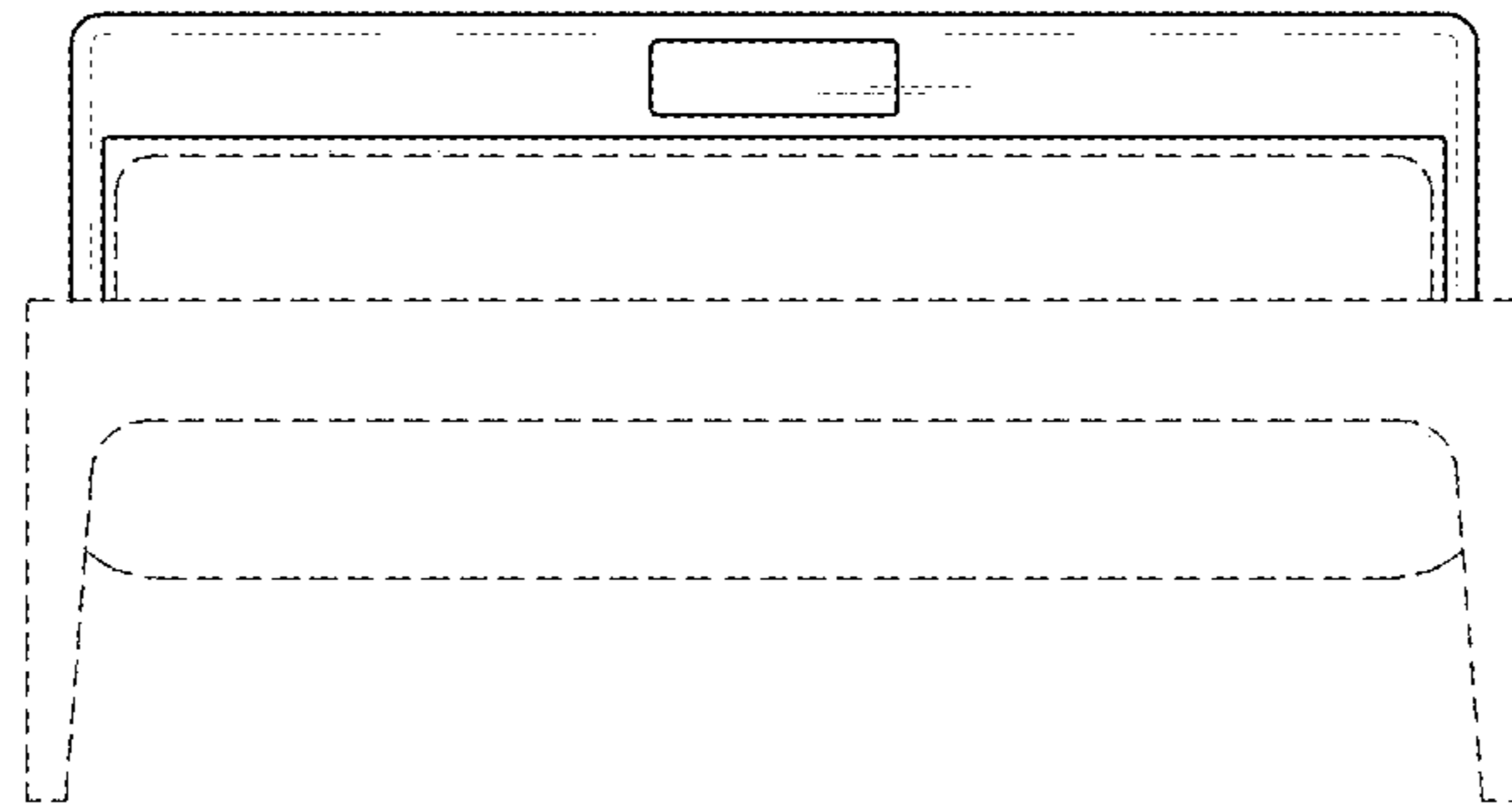


FIG. 17

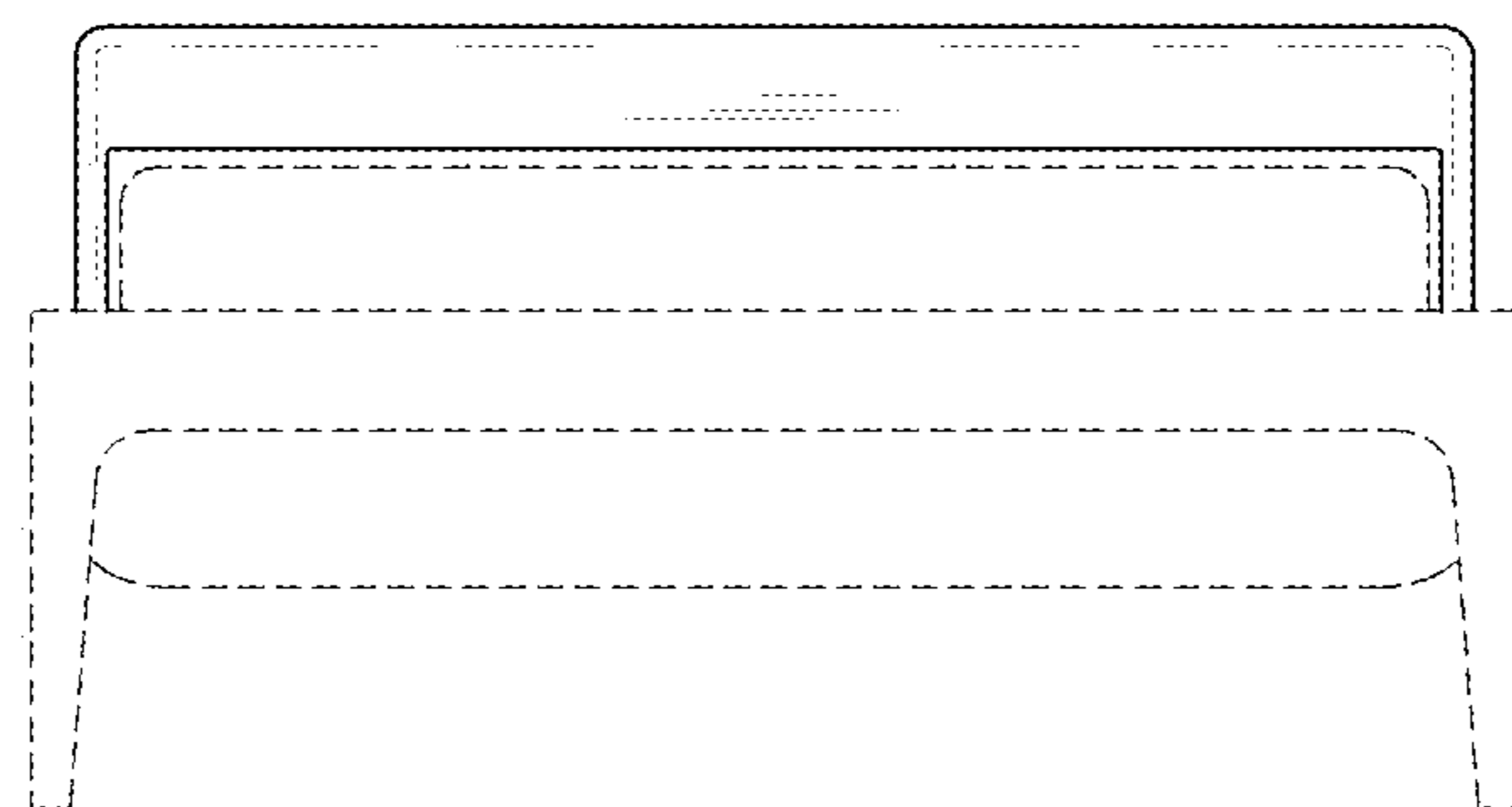


FIG. 18

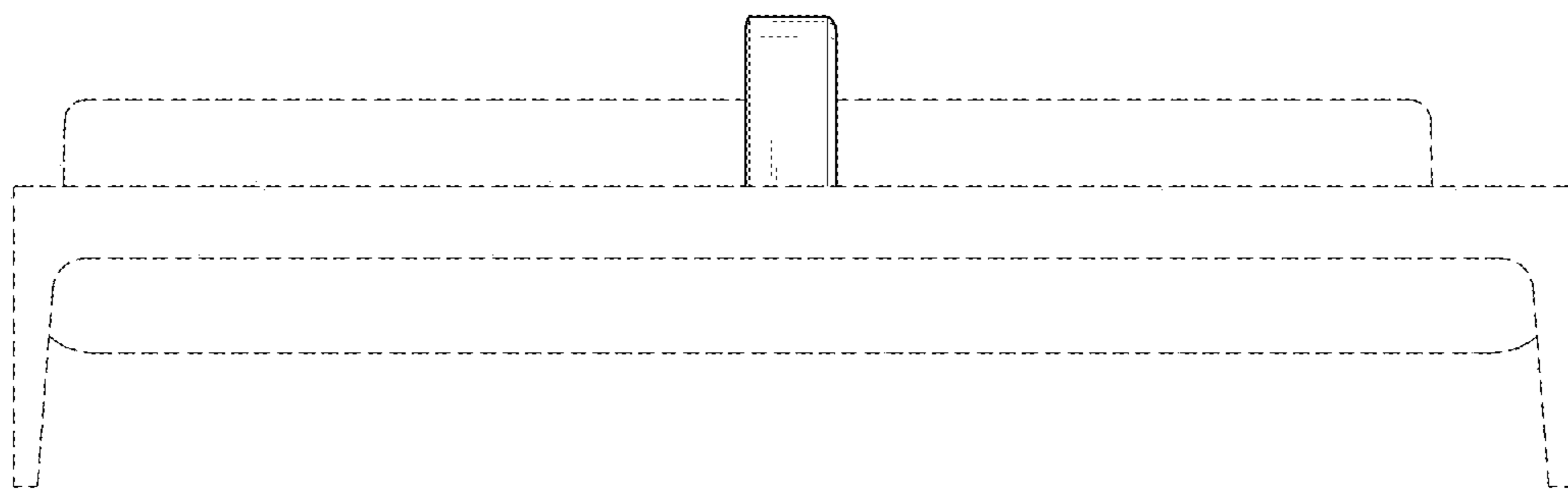


FIG. 19

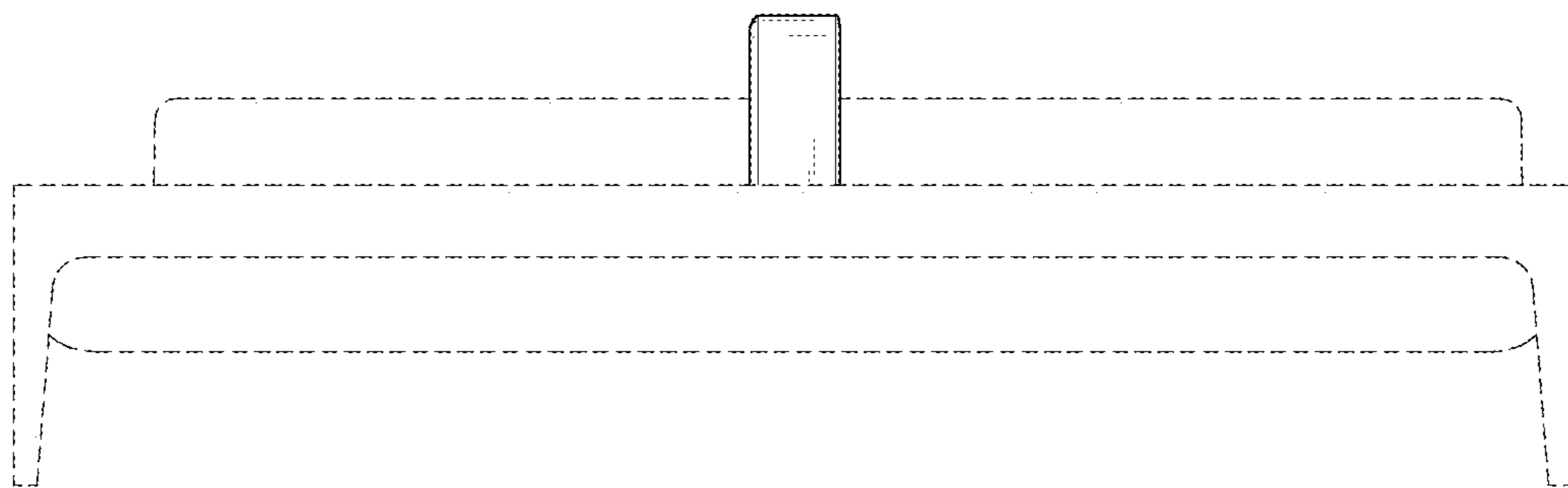


FIG. 20

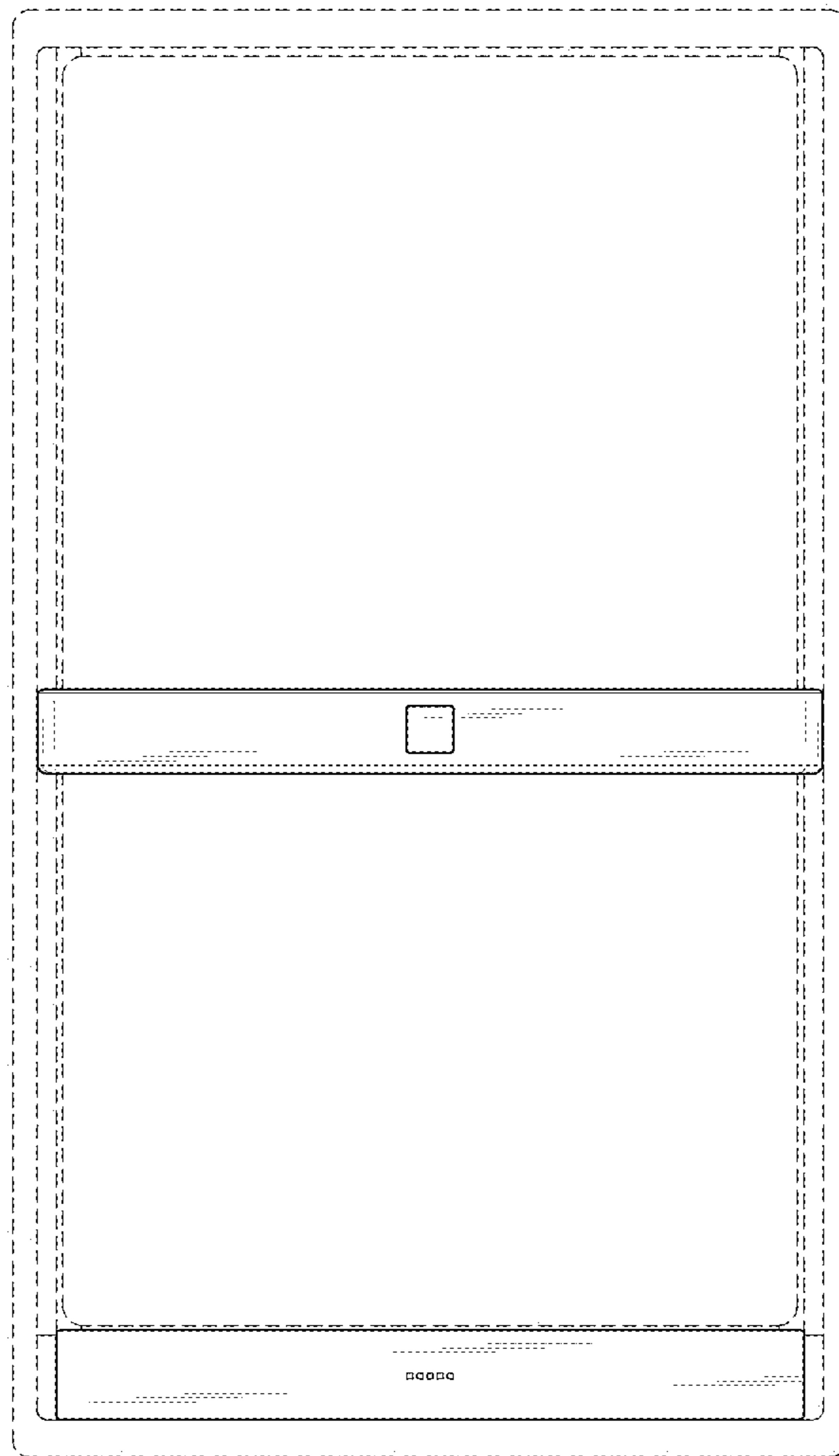


FIG. 21

