



US00D959885S

(12) **United States Design Patent**  
**Everson et al.**

(10) **Patent No.:** **US D959,885 S**  
(45) **Date of Patent:** **\*\* Aug. 9, 2022**

- (54) **DINING TABLE** 3,059,981 A \* 10/1962 Bellomo ..... A47B 1/02  
108/85
  - (71) Applicant: **Ashley Furniture Industries, Inc.,** 3,652,372 A \* 3/1972 Klazkin ..... A47B 13/08  
Arcadia, WI (US) 156/298
  - (72) Inventors: **Terry Everson, Blair, WI (US); Randy** D355,800 S \* 2/1995 Ward ..... D6/691.1  
**Domack, Holmen, WI (US); Craig** D420,528 S 2/2000 Gesing  
**Bacon, Trempealeau, WI (US)** D444,313 S 7/2001 Hutton  
6,302,035 B1 \* 10/2001 Frenkler ..... F16B 12/32  
312/196
  - (73) Assignee: **ASHLEY FURNITURE** D459,612 S 7/2002 Vaaler  
**INDUSTRIES, INC., Arcadia, WI (US)** D462,850 S 9/2002 Cain  
D519,758 S \* 5/2006 Katz ..... D6/657
- (Continued)

(\*\*) Term: **15 Years**

(21) Appl. No.: **29/746,874**

(22) Filed: **Aug. 18, 2020**

**Related U.S. Application Data**

(63) Continuation of application No. 29/687,870, filed on Apr. 16, 2019, now Pat. No. Des. 893,225, which is a continuation of application No. 29/657,647, filed on Jul. 24, 2018, now Pat. No. Des. 845,685, which is a continuation of application No. 29/600,173, filed on Apr. 10, 2017, now Pat. No. Des. 823,621.

(51) **LOC (13) Cl.** ..... **06-06**

(52) **U.S. Cl.**  
USPC ..... **D6/709; D6/691.6**

(58) **Field of Classification Search**  
USPC ..... D6/641, 657, 685, 689, 690, 691, 691.1,  
D6/691.2, 691.3, 691.4, 691.5, 691.6,  
D6/691.7, 691.8, 691.9, 702, 703.1,  
D6/703.4, 707.15, 708, 709  
CPC . A47B 13/04; A47B 2013/024; A47B 13/003;  
A47B 2013/026; A47B 2013/027  
See application file for complete search history.

(56) **References Cited**

**U.S. PATENT DOCUMENTS**

- 1,671,736 A \* 5/1928 Meeker ..... A47B 13/04  
248/165
- D84,439 S 3/1931 Purnell

**OTHER PUBLICATIONS**

A1 furniture, posted at Images.furnituredealer.net, posted on Oct. 28, 2016, site visited Nov. 20, 2019. online, available from internet: [https://images.furnituredealer.net/img/products%2Fsignature\\_design\\_by\\_ashley%2Fcolor%2Fbolanburg\\_d647-25-m1.jpg](https://images.furnituredealer.net/img/products%2Fsignature_design_by_ashley%2Fcolor%2Fbolanburg_d647-25-m1.jpg) (Year: 2016).

*Primary Examiner* — Catherine Ho

(74) *Attorney, Agent, or Firm* — McAndrews Held & Malloy, Ltd.

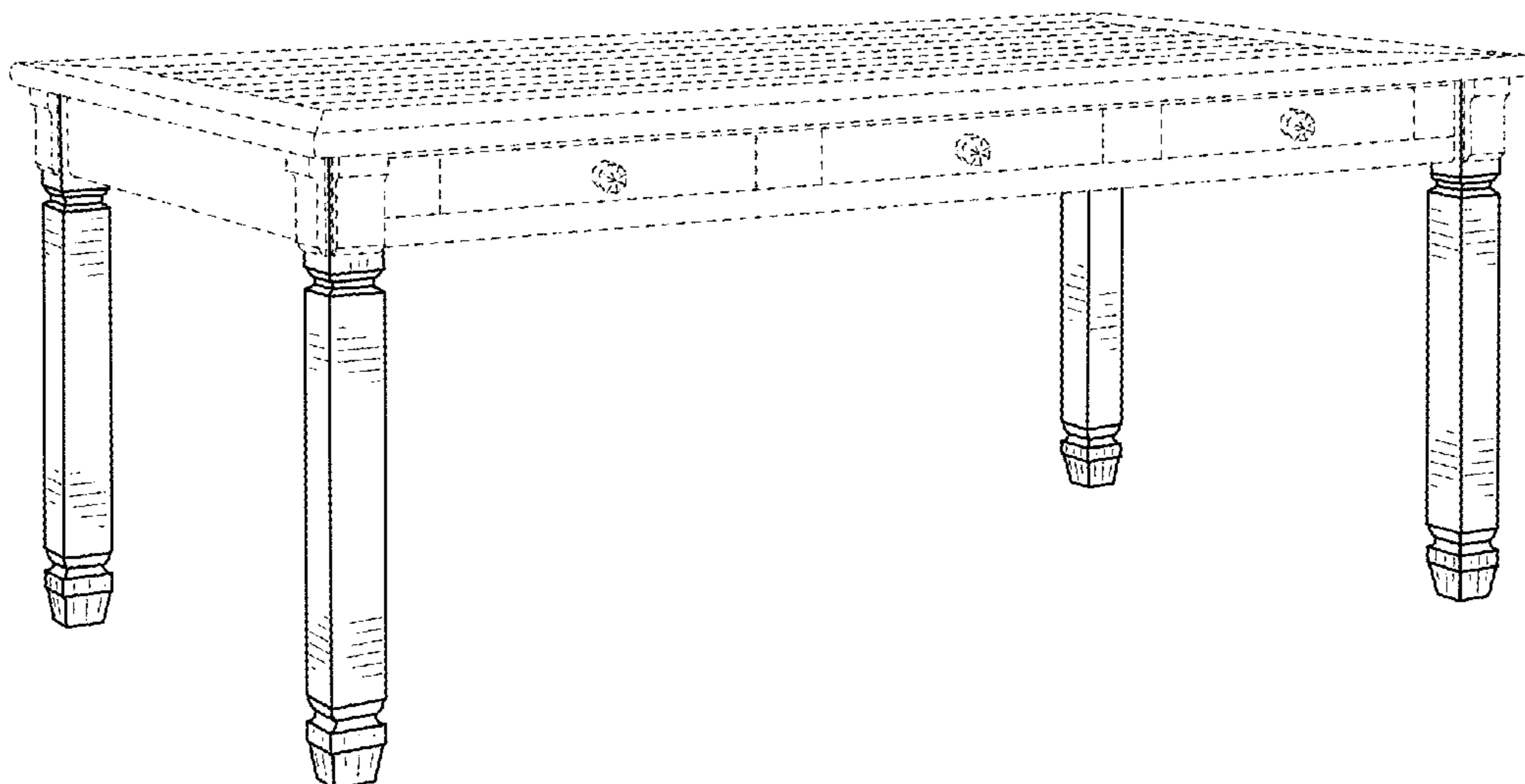
(57) **CLAIM**

The ornamental design for a dining table, as shown and described.

**DESCRIPTION**

FIG. 1 is a front perspective view of a dining table showing our new design;  
FIG. 2 is a front elevation view thereof;  
FIG. 3 is a rear elevation view thereof;  
FIG. 4 is a right side elevation view thereof, the left side elevation view being a mirror image thereof; and,  
FIG. 5 is a top plan view thereof.  
The dashed broken lines in the figures illustrate portions of the dining table that form no part of the claimed design.

**1 Claim, 4 Drawing Sheets**



(56)

**References Cited**

## U.S. PATENT DOCUMENTS

D531,431 S \* 11/2006 Domack ..... D6/691.2  
D535,498 S \* 1/2007 Domack ..... D6/691.1  
D536,551 S 2/2007 Domack et al.  
D546,503 S 7/2007 Kreiss  
D552,889 S \* 10/2007 Domack ..... D6/688.11  
D552,891 S \* 10/2007 Everson ..... D6/691.1  
D558,488 S \* 1/2008 Domack ..... D6/691.3  
D575,964 S \* 9/2008 Liu ..... D6/697  
D584,072 S \* 1/2009 Mohundro ..... D6/686  
D588,831 S \* 3/2009 Mohundro ..... D6/686  
D597,344 S \* 8/2009 Domack ..... D6/691.1  
D601,821 S \* 10/2009 Domack ..... D6/379  
D669,704 S 10/2012 Zambelli  
D686,855 S \* 7/2013 James ..... D6/691.1  
D730,667 S \* 6/2015 James ..... D6/691.1  
D746,614 S \* 1/2016 Sheppard ..... D6/657  
D775,879 S \* 1/2017 Everson ..... D6/691.9  
D784,734 S 4/2017 Weyts  
D823,621 S 7/2018 Everson et al.  
D826,601 S 8/2018 Everson et al.  
D845,685 S 4/2019 Everson et al.  
D848,181 S 5/2019 Everson et al.  
D854,358 S \* 7/2019 McCormick ..... D6/655  
D862,955 S \* 10/2019 Everson ..... D6/716  
D869,886 S \* 12/2019 Inovero ..... D6/691.1  
D893,220 S \* 8/2020 Everson ..... D6/657  
D893,225 S \* 8/2020 Everson ..... D6/691.9  
D921,405 S \* 6/2021 Roser, Jr. .... D6/688.13  
2020/0170405 A1 \* 6/2020 Grabowski ..... A47B 13/02

\* cited by examiner

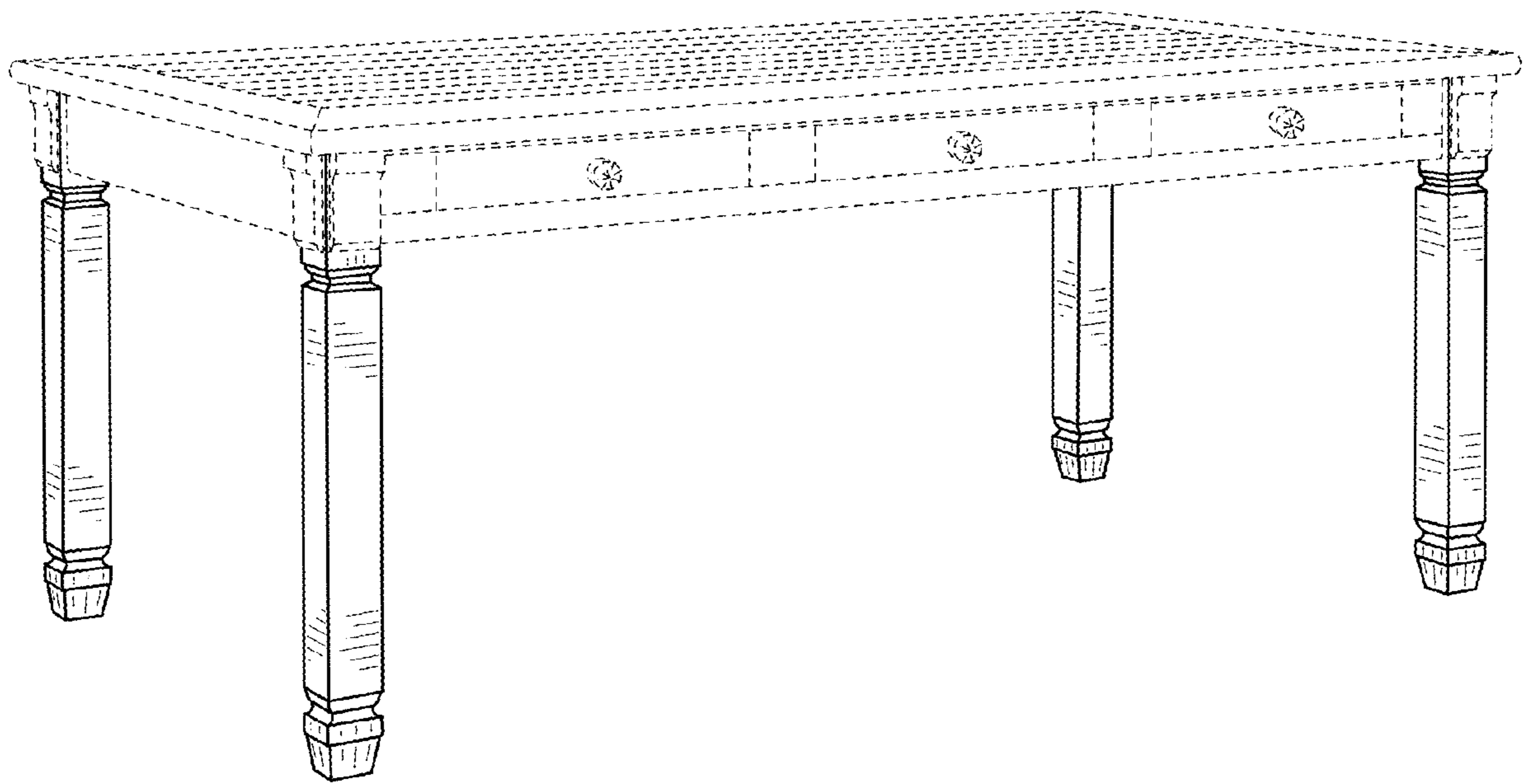


FIG. 1

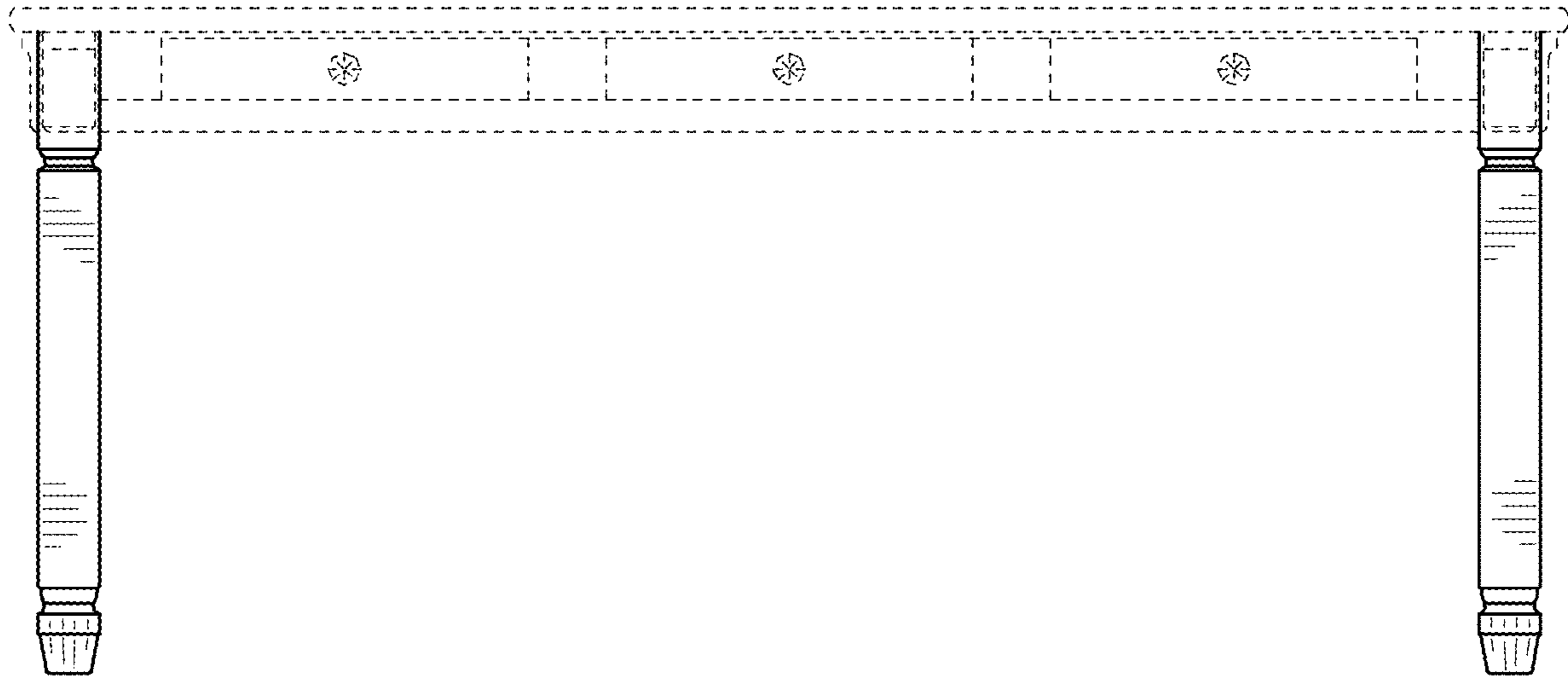


FIG. 2

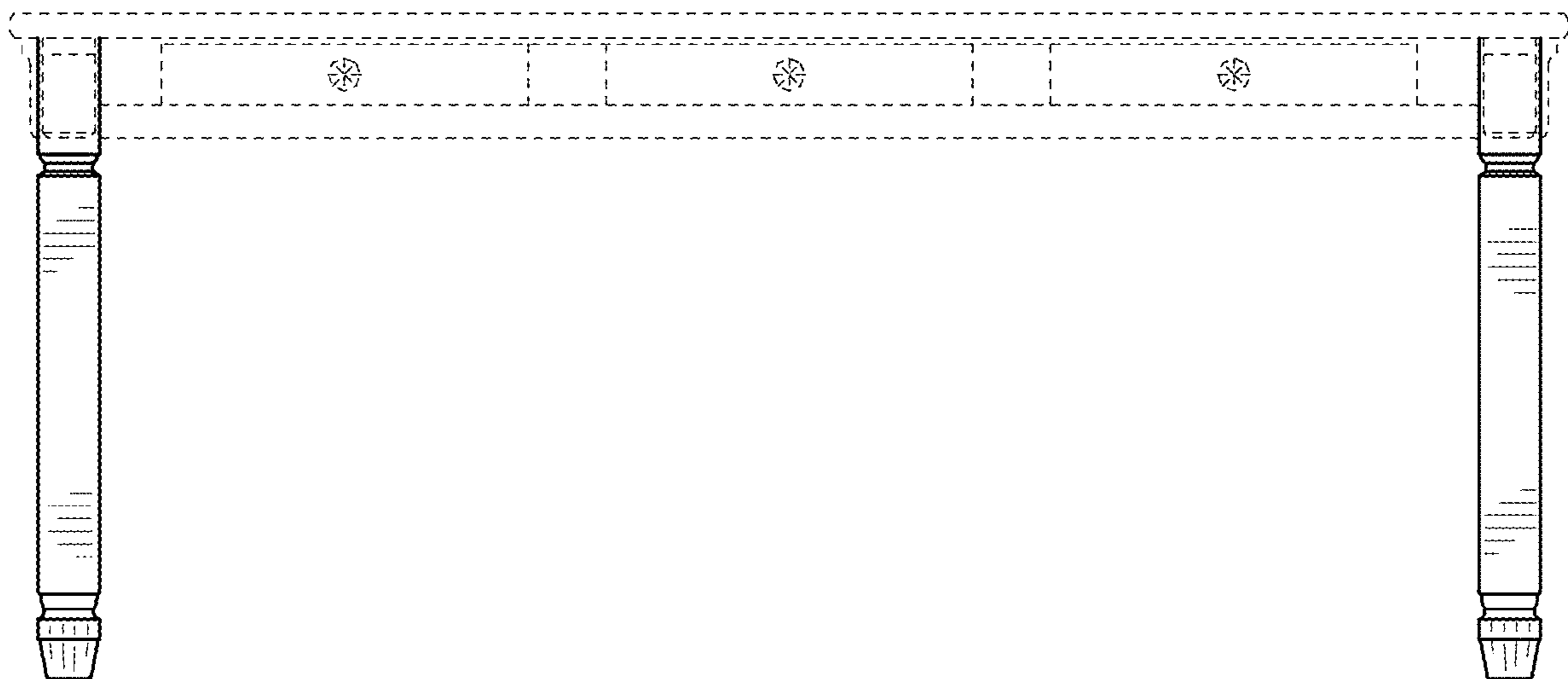


FIG. 3

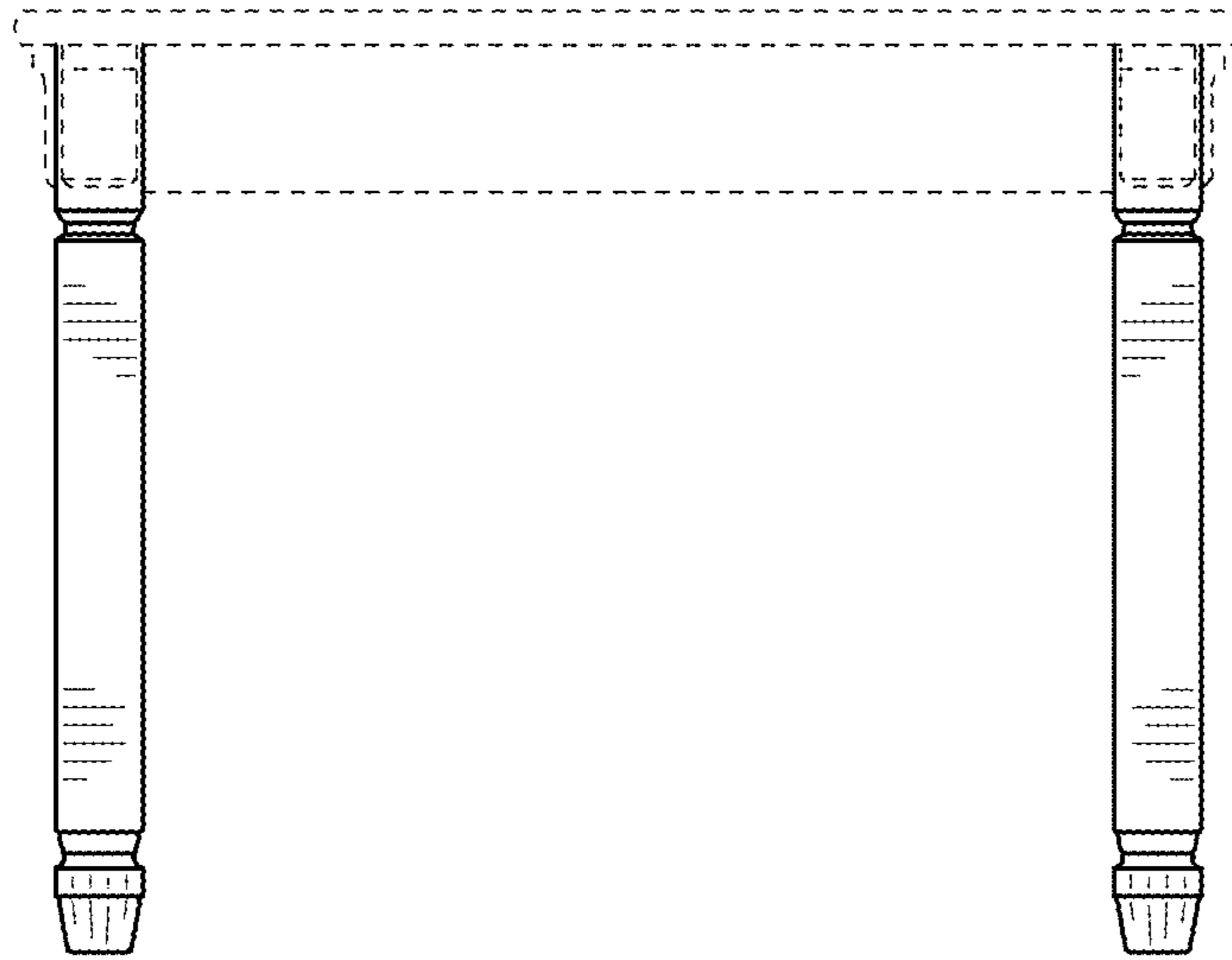


FIG. 4



**FIG. 5**