



US00D959882S

(12) **United States Design Patent**
Hannigan

(10) **Patent No.: US D959,882 S**

(45) **Date of Patent: ** *Aug. 9, 2022**

- (54) **STORAGE SHELF**
- (71) Applicant: **ELITE MEDICAL EQUIPMENT & SERVICES LLC**, Danvers, MA (US)
- (72) Inventor: **Charles Hannigan**, Danvers, MA (US)
- (*) Notice: This patent is subject to a terminal disclaimer.
- (**) Term: **15 Years**
- (21) Appl. No.: **29/738,719**
- (22) Filed: **Jun. 19, 2020**
- (51) **LOC (13) Cl.** **06-06**
- (52) **U.S. Cl.**
USPC **D6/705.6**
- (58) **Field of Classification Search**
USPC D6/672, 675, 675.1, 675.2, 705, 705.6, D6/707; D3/304, 315, 317; D24/127-128, 227-228
CPC A47F 1/00; A47F 5/00; A47F 5/10; A47F 5/0056; A47B 57/00; A47B 47/02; A47B 47/021; A47B 55/00; A47B 55/02; F16M 13/00; F16M 13/02
See application file for complete search history.

5,836,461	A *	11/1998	Kokenge	A47B 96/02
					211/153
D425,754	S *	5/2000	Matteson	126/337 R
D426,749	S *	6/2000	Barnes	D7/409
D427,466	S *	7/2000	Remmers	D6/705.6
D427,487	S *	7/2000	Holbrook	D7/409
D427,824	S *	7/2000	Osburn	D6/705.6
D445,302	S *	7/2001	Bartley	D7/409
D489,205	S *	5/2004	Droppers	D6/705.6
D509,405	S *	9/2005	Shin	D7/409
D509,406	S *	9/2005	Freese	F24C 15/16
					D7/409
D509,706	S *	9/2005	Shin	D7/409
D510,839	S *	10/2005	Shin	D7/409
D526,519	S *	8/2006	Nawrocki	D6/566
D551,884	S *	10/2007	Remmers	D6/705.6
D650,226	S *	12/2011	Walker	D7/409
D710,633	S *	8/2014	Mudrick	D6/675.5
D713,188	S *	9/2014	Gokhale	D6/705.6
D758,772	S *	6/2016	Coretti, Jr.	D6/705.6
D891,863	S *	8/2020	Burch	D7/408
D893,221	S *	8/2020	Lim	D6/675.2
D905,482	S *	12/2020	Coretti, Jr.	D6/675.2
D927,902	S *	8/2021	Sabounjian	D6/675.5

(Continued)

Primary Examiner — Kelley A Donnelly
(74) Attorney, Agent, or Firm — Daniel N. Smith

(57) **CLAIM**

The ornamental design for a storage shelf, as shown and described.

DESCRIPTION

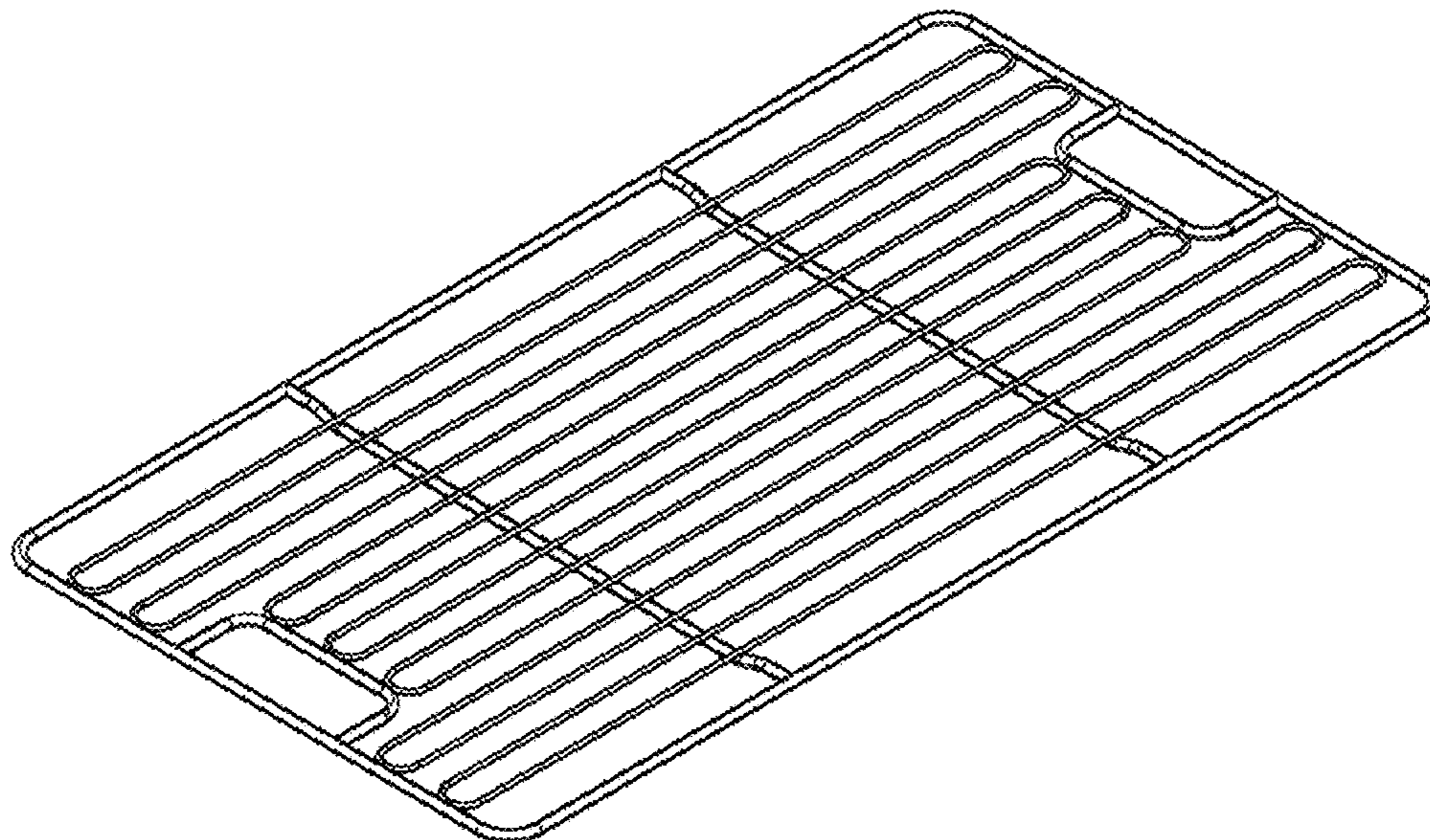
FIG. 1 is a top, isometric view of a storage shelf showing my new design;
FIG. 2 is a top view thereof;
FIG. 3 is a bottom view thereof;
FIG. 4 is a left-side view thereof;
FIG. 5 is a right-side view thereof;
FIG. 6 is a front view thereof; and,
FIG. 7 is a rear view thereof.

1 Claim, 7 Drawing Sheets

(56) **References Cited**

U.S. PATENT DOCUMENTS

2,057,429	A *	10/1936	Heim	F25D 25/02
					211/153
2,294,155	A *	8/1942	Boddy	F25D 25/02
					211/153
D289,479	S *	4/1987	Brancher	D6/566
D312,175	S *	11/1990	Kelley	D19/91
D352,195	S *	11/1994	Rogers	D6/705.6
5,507,398	A *	4/1996	Miller	F24C 15/16
					211/153
D394,179	S *	5/1998	Panossian	D6/566
D398,179	S *	9/1998	Cutsinger	D6/566



(56)

References Cited

U.S. PATENT DOCUMENTS

D929,161 S * 8/2021 Stephenson D6/675.5
D929,180 S * 8/2021 Padgett D7/409
2003/0146177 A1* 8/2003 Miller, Jr. A47F 1/12
211/59.2
2004/0112852 A1* 6/2004 Brooks F24C 15/16
211/153
2012/0074825 A1* 3/2012 Armstrong A47B 88/407
312/334.23
2020/0121078 A1* 4/2020 Woo A47B 96/14

* cited by examiner

FIG. 1

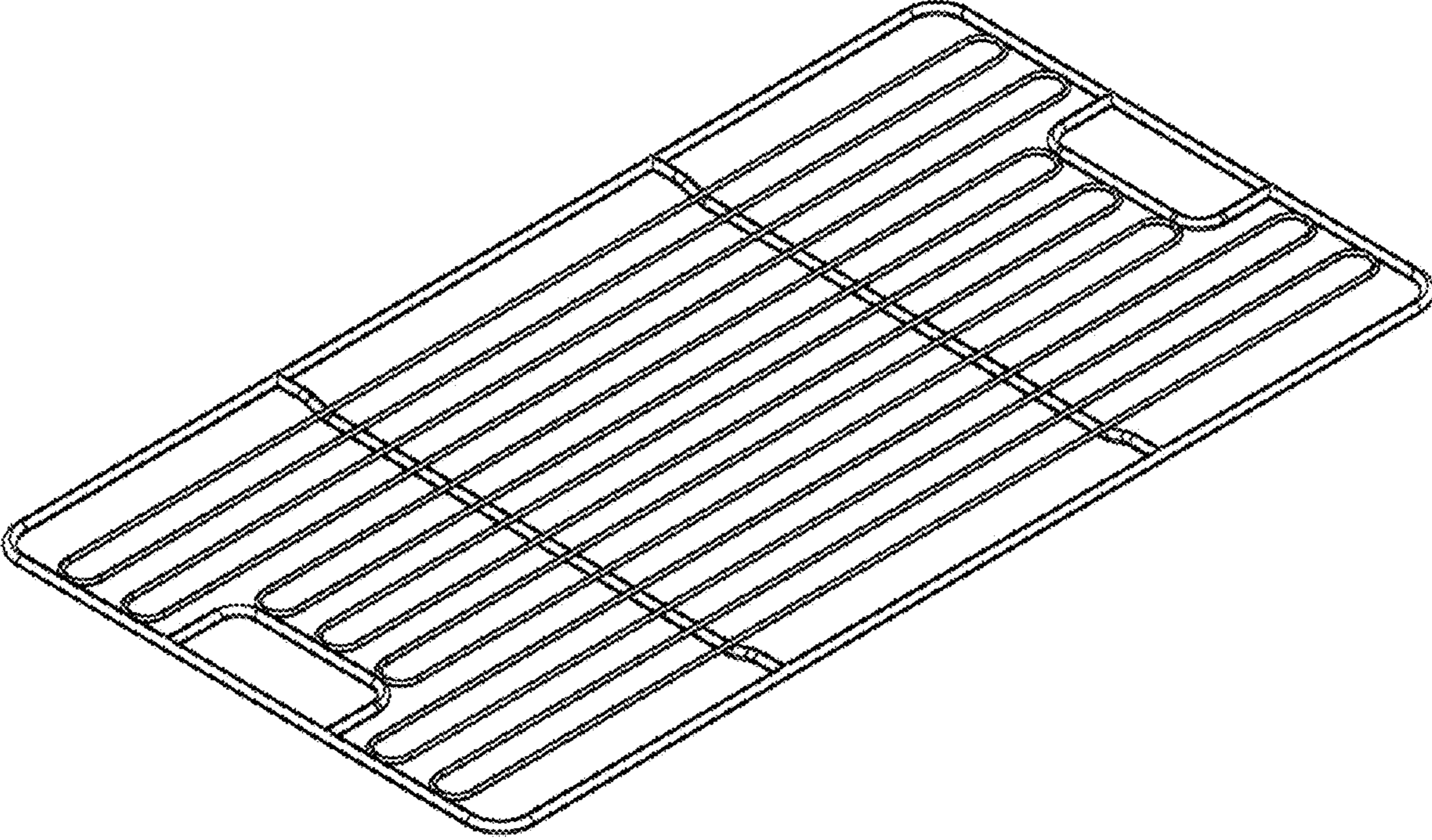


FIG. 2

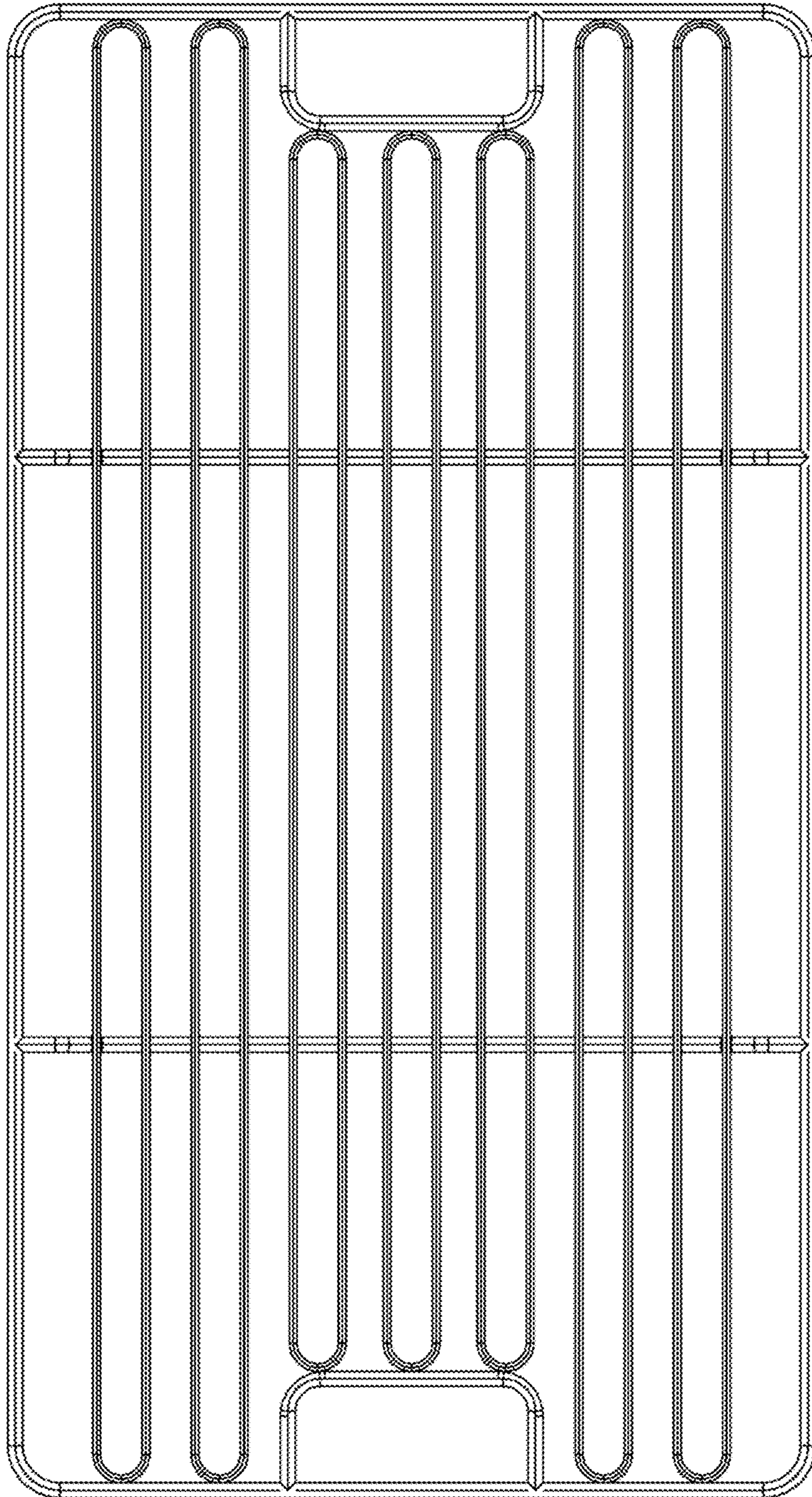


FIG. 3

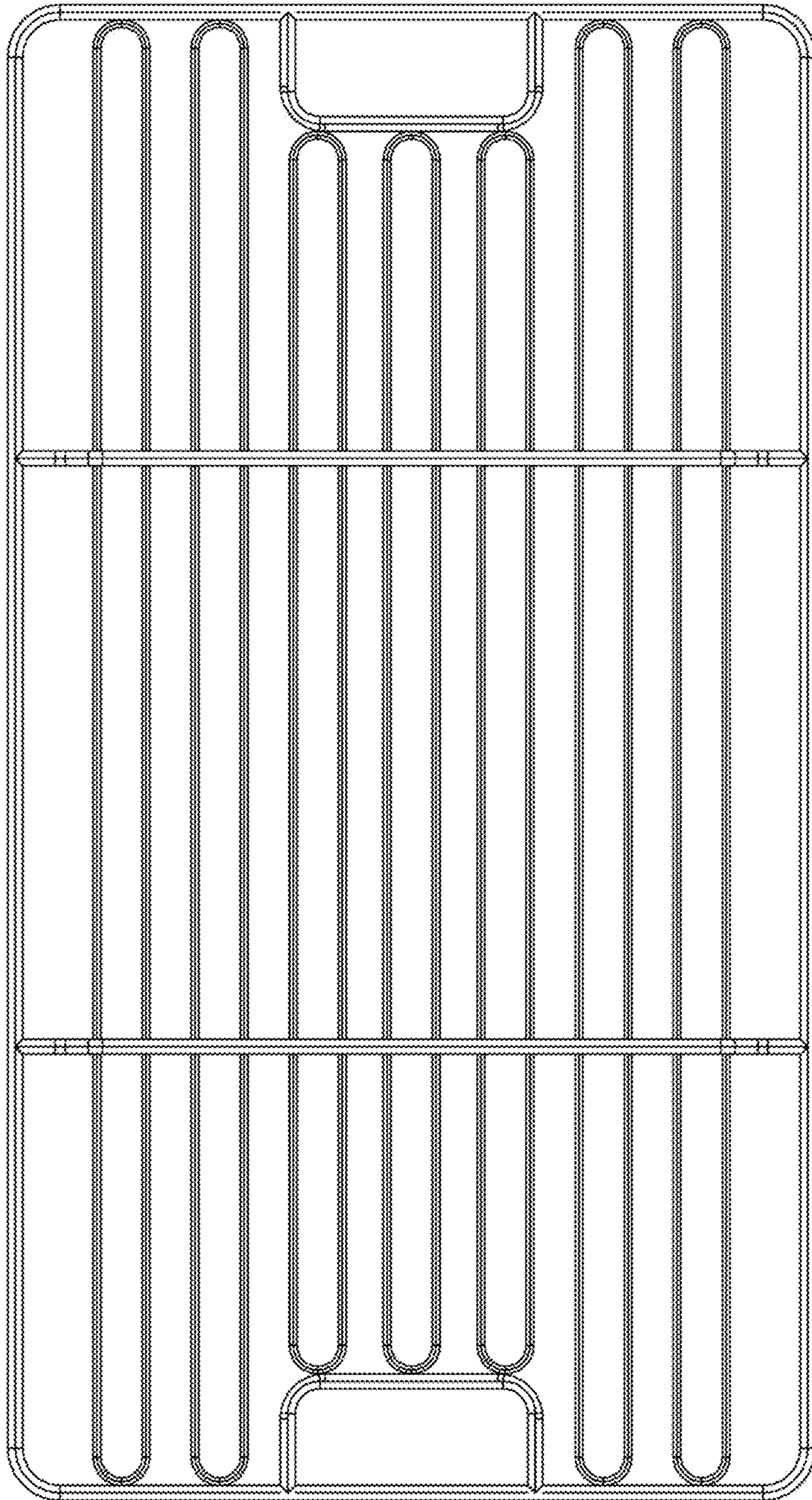


FIG. 4



FIG. 5



FIG. 6



FIG. 7

