



US00D959881S

(12) **United States Design Patent** (10) **Patent No.:** **US D959,881 S**
Balducci et al. (45) **Date of Patent:** **** Aug. 9, 2022**

(54) **DRAWER WITH COMPARTMENTS**

(71) Applicant: **SIGE S.p.A.**, Polverigi (IT)

(72) Inventors: **Paolo Balducci**, Osimo (IT); **Michele Galassi**, Polverigi (IT); **Silvia Giannessi**, Ponsacco (IT)

(73) Assignee: **SIGE S.P.A.**, Polverigi (IT)

(**) Term: **15 Years**

(21) Appl. No.: **29/716,891**

(22) Filed: **Dec. 12, 2019**

(30) **Foreign Application Priority Data**

Jun. 18, 2019 (EM) 006584876

(51) **LOC (13) Cl.** **06-06**

(52) **U.S. Cl.**
USPC **D6/705**

(58) **Field of Classification Search**
USPC D6/672, 675, 675.1, 675.2, 675.3, 675.4,
D6/675.5, 705

CPC A47B 55/00; A47B 55/02; A47B 96/00;
A47B 96/02; A47B 96/16; A47B
2210/00; A47F 5/00; A47F 5/01
See application file for complete search history.

(56) **References Cited**

U.S. PATENT DOCUMENTS

D232,508 S * 8/1974 Wright D6/705
D317,094 S * 5/1991 Weinberg D6/675.2
D402,837 S * 12/1998 Boire D6/515
D450,481 S * 11/2001 Post D6/675.2
D559,595 S * 1/2008 Sellars D6/675
D696,049 S * 12/2013 Hsu D6/675.2
D769,652 S * 10/2016 Poniatowski D6/675.4

D785,979 S * 5/2017 Snider D6/675.1
D786,588 S * 5/2017 Knapp D6/675
D844,350 S * 4/2019 De Loynes D6/675.1
D879,522 S * 3/2020 Turner D6/705
D923,422 S * 6/2021 Xu D7/600.4

* cited by examiner

Primary Examiner — Kelley A Donnelly

(74) *Attorney, Agent, or Firm* — Shuttleworth & Ingersoll, PLC; Timothy J. Klima

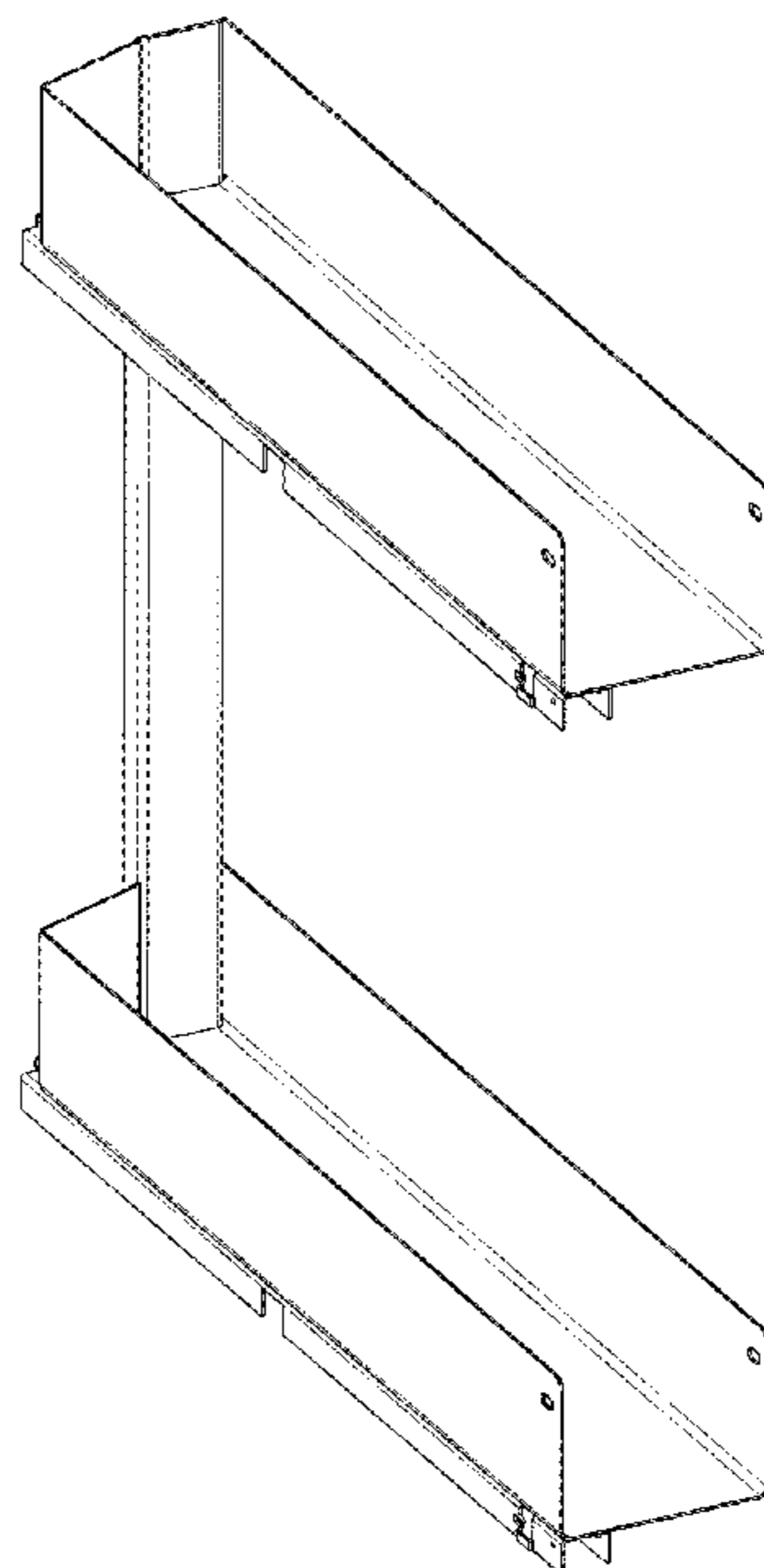
(57) **CLAIM**

The ornamental design for a drawer with compartments, as shown and described.

DESCRIPTION

FIG. 1 is a left front perspective view of a first embodiment of a drawer with compartments, according to the invention; FIG. 2 is front view thereof; FIG. 3 is a left side view thereof; FIG. 4 is a rear view thereof; FIG. 5 is a right side view thereof; FIG. 6 is a top view thereof; FIG. 7 is a bottom view thereof; FIG. 8 is a bottom left perspective view thereof; and FIG. 9 is a left front perspective view of a second embodiment of a drawer with compartments, according to the invention; FIG. 10 is front view thereof; FIG. 11 is a left side view thereof; FIG. 12 is a rear view thereof; FIG. 13 is a right side view thereof; FIG. 14 is a top view thereof; FIG. 15 is a bottom view thereof; and, FIG. 16 is a bottom left perspective view thereof. Any broken lines in the figures illustrate portions of the display that form no part of the claimed design.

1 Claim, 16 Drawing Sheets



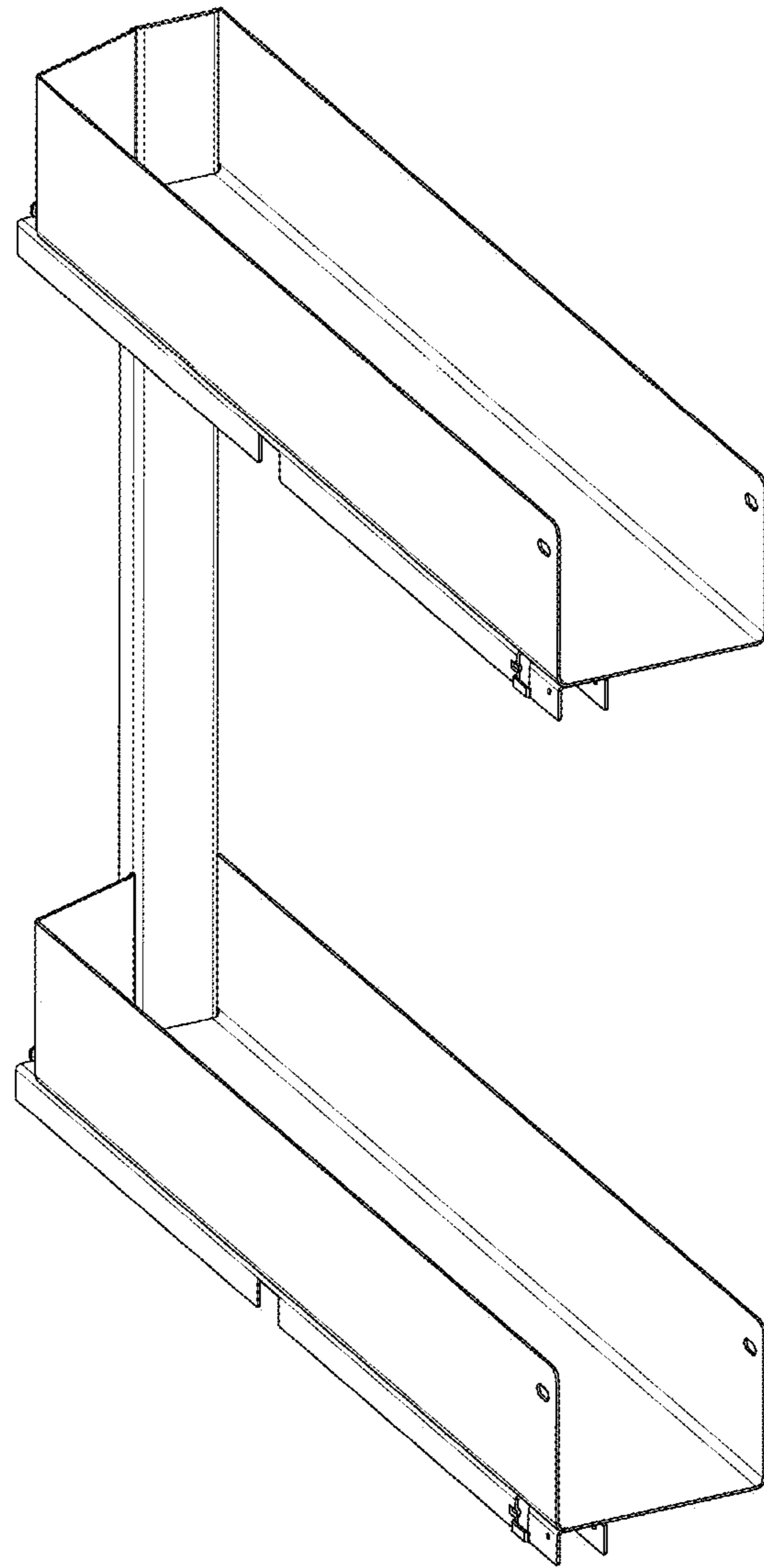


Fig. 1

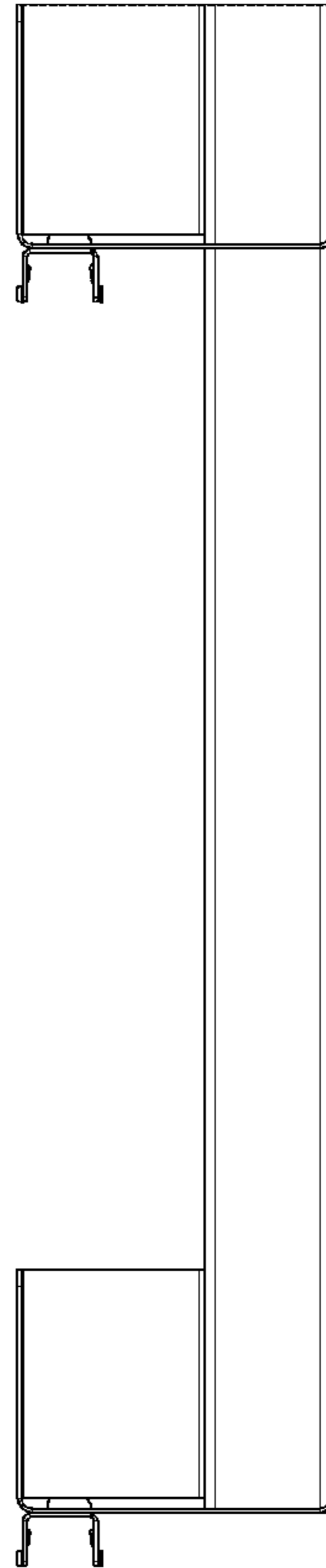


Fig. 2

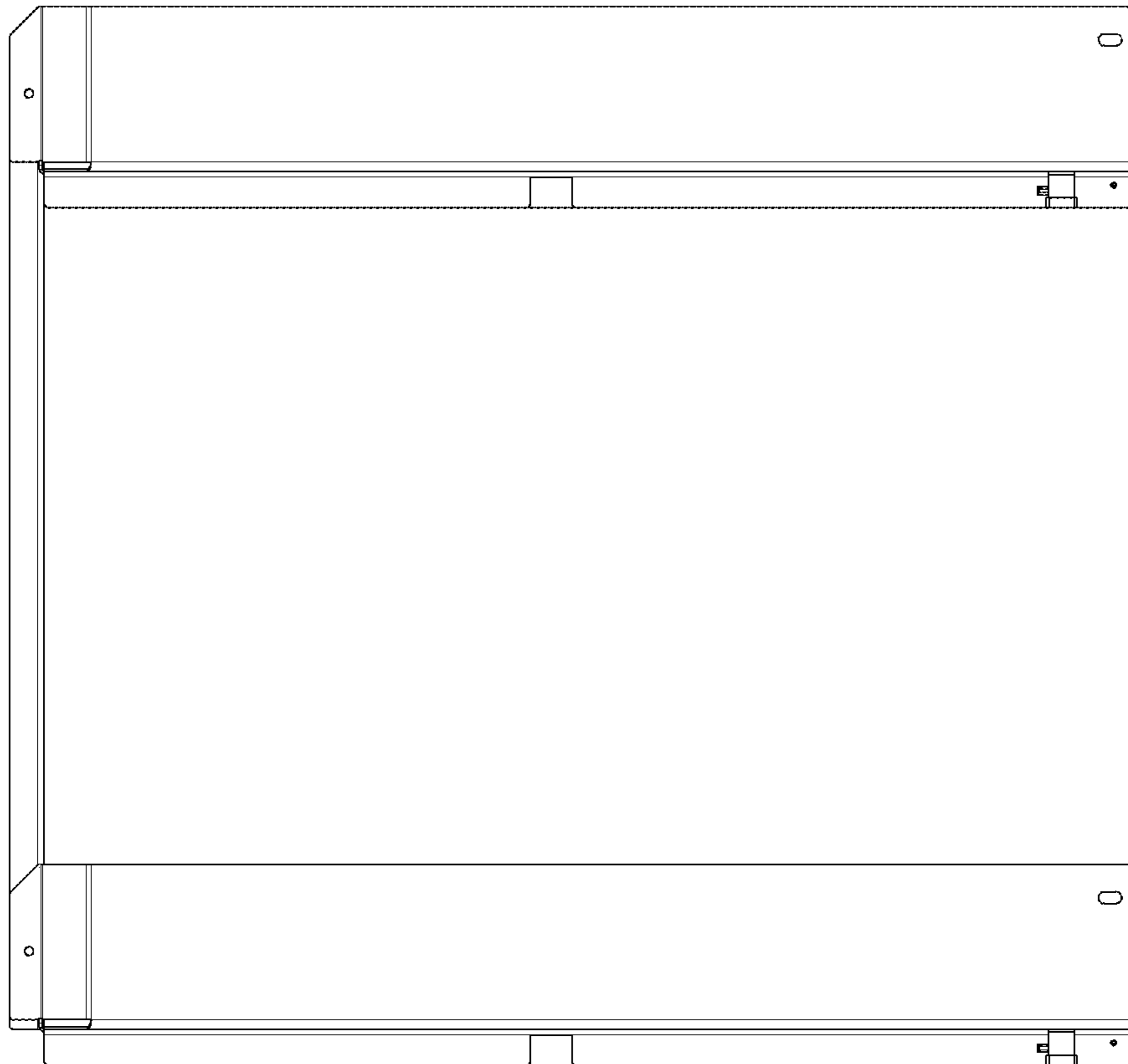


Fig. 3

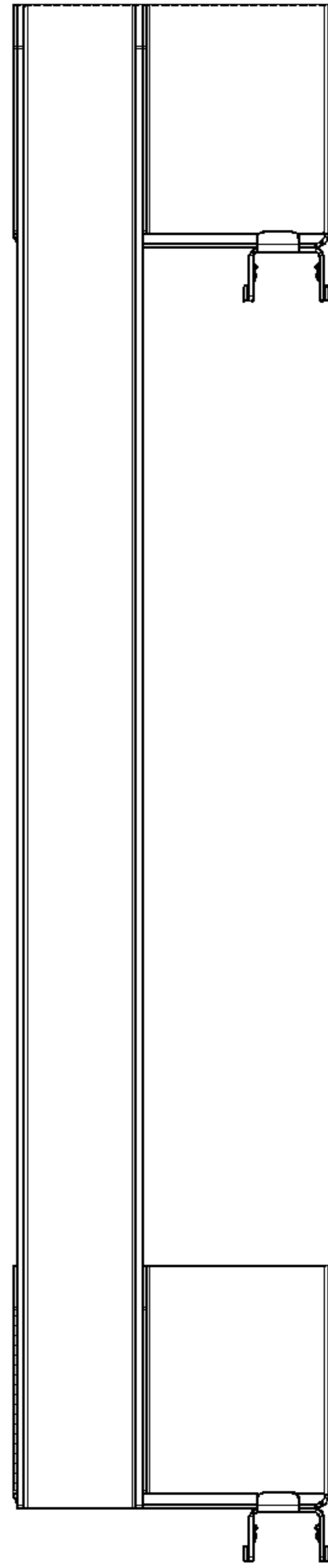


Fig. 4



Fig. 5

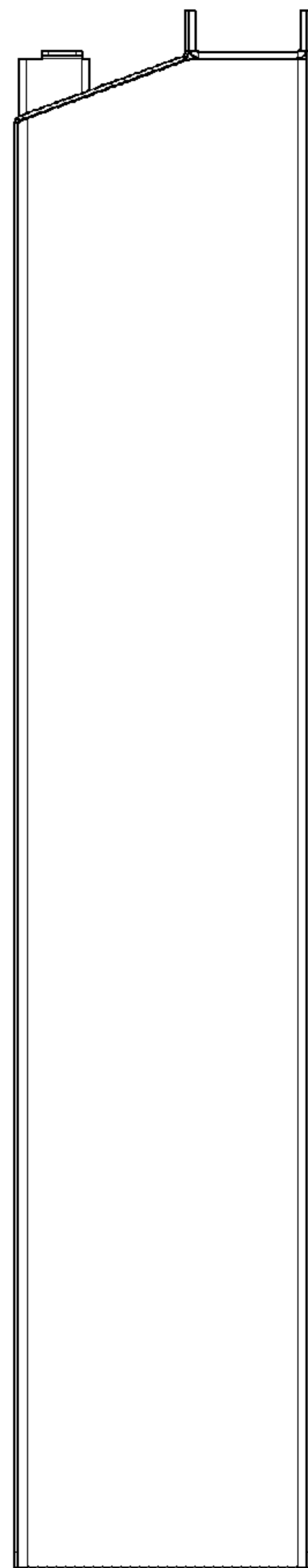


Fig. 6

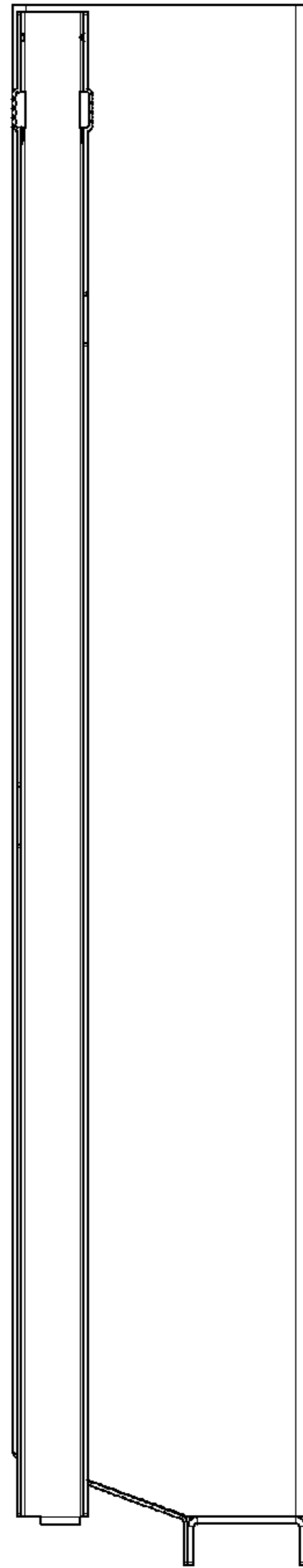


Fig. 7

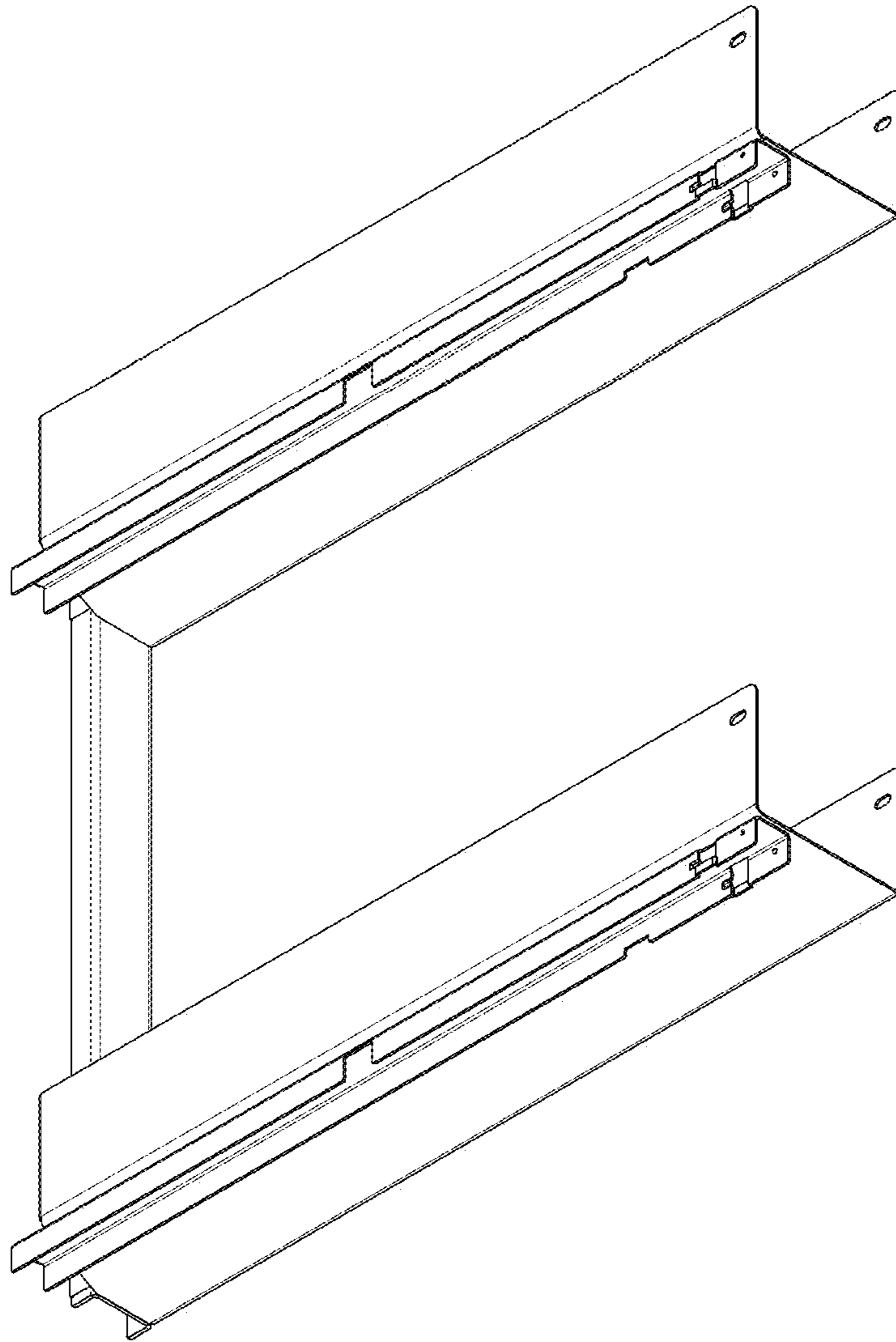


Fig. 8

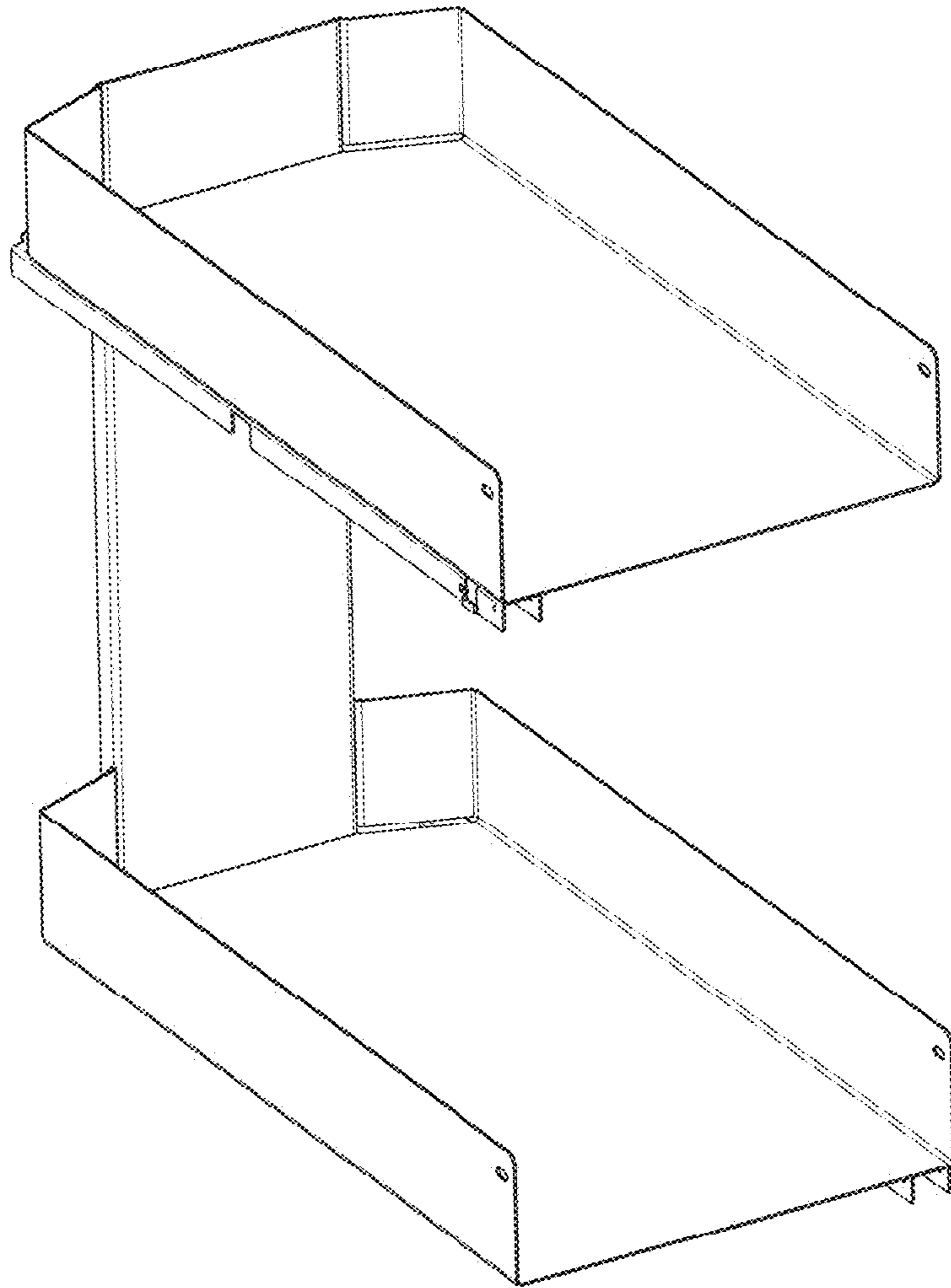


Fig. 9

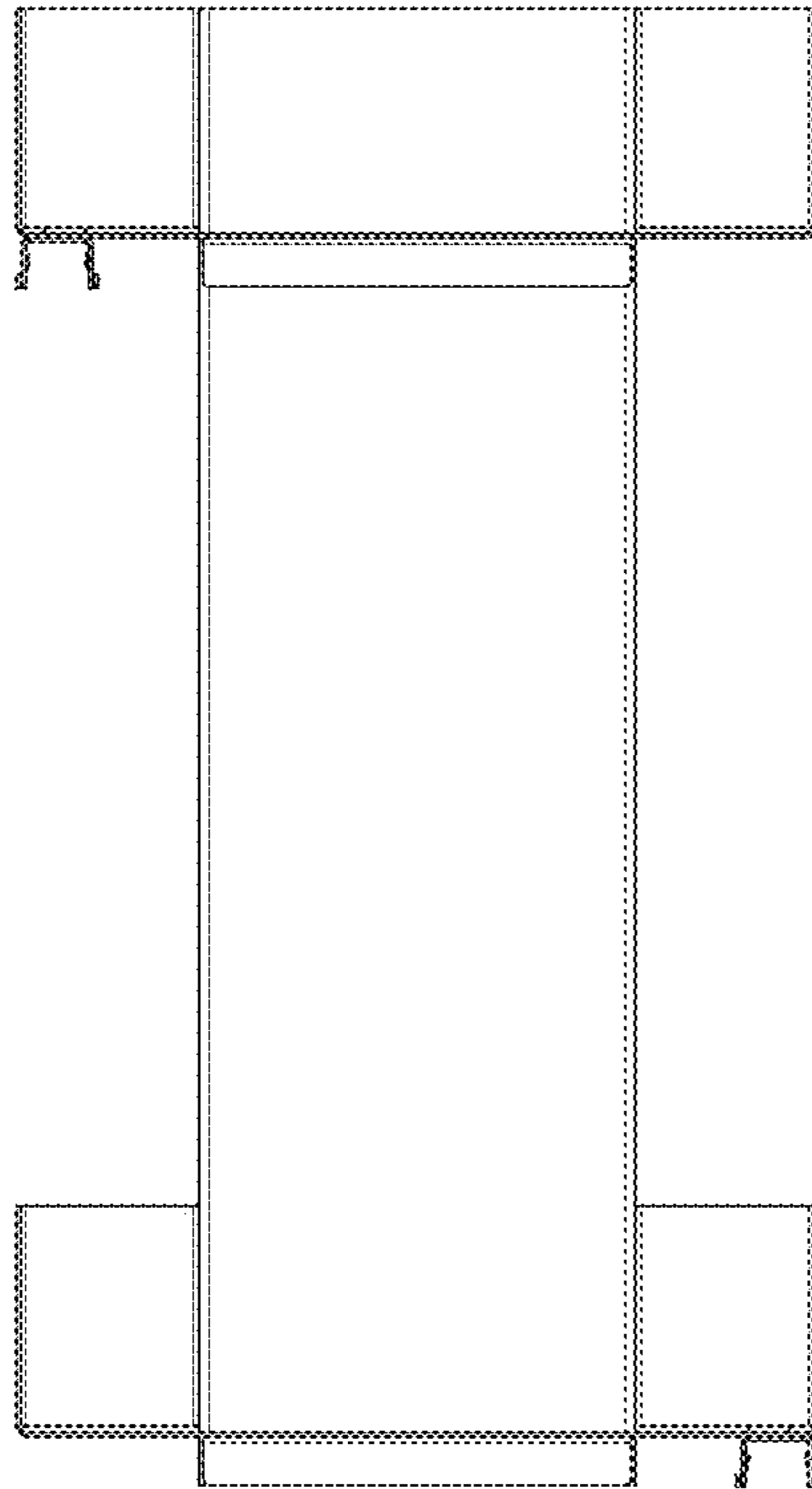


Fig. 10

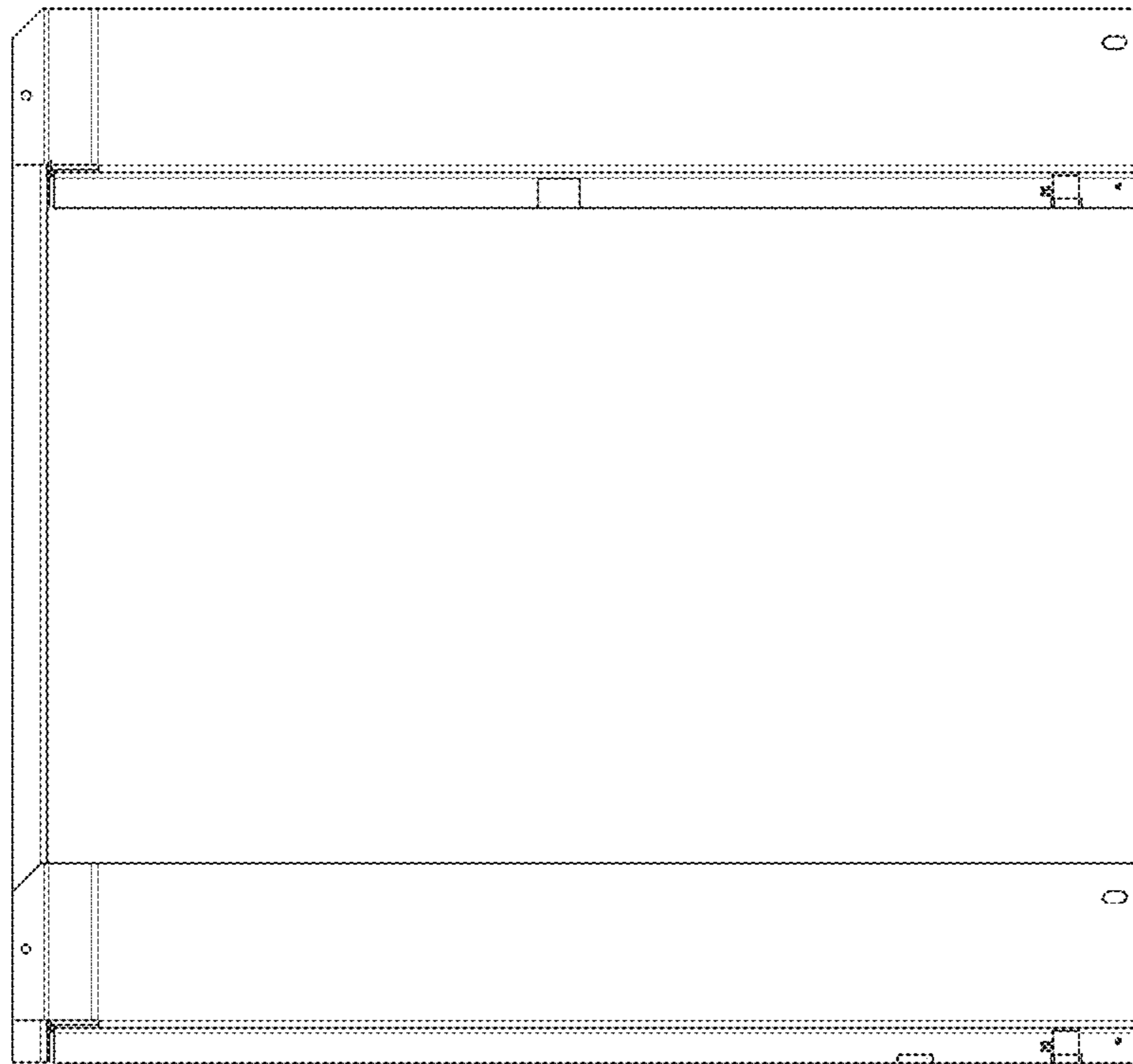


Fig. 11

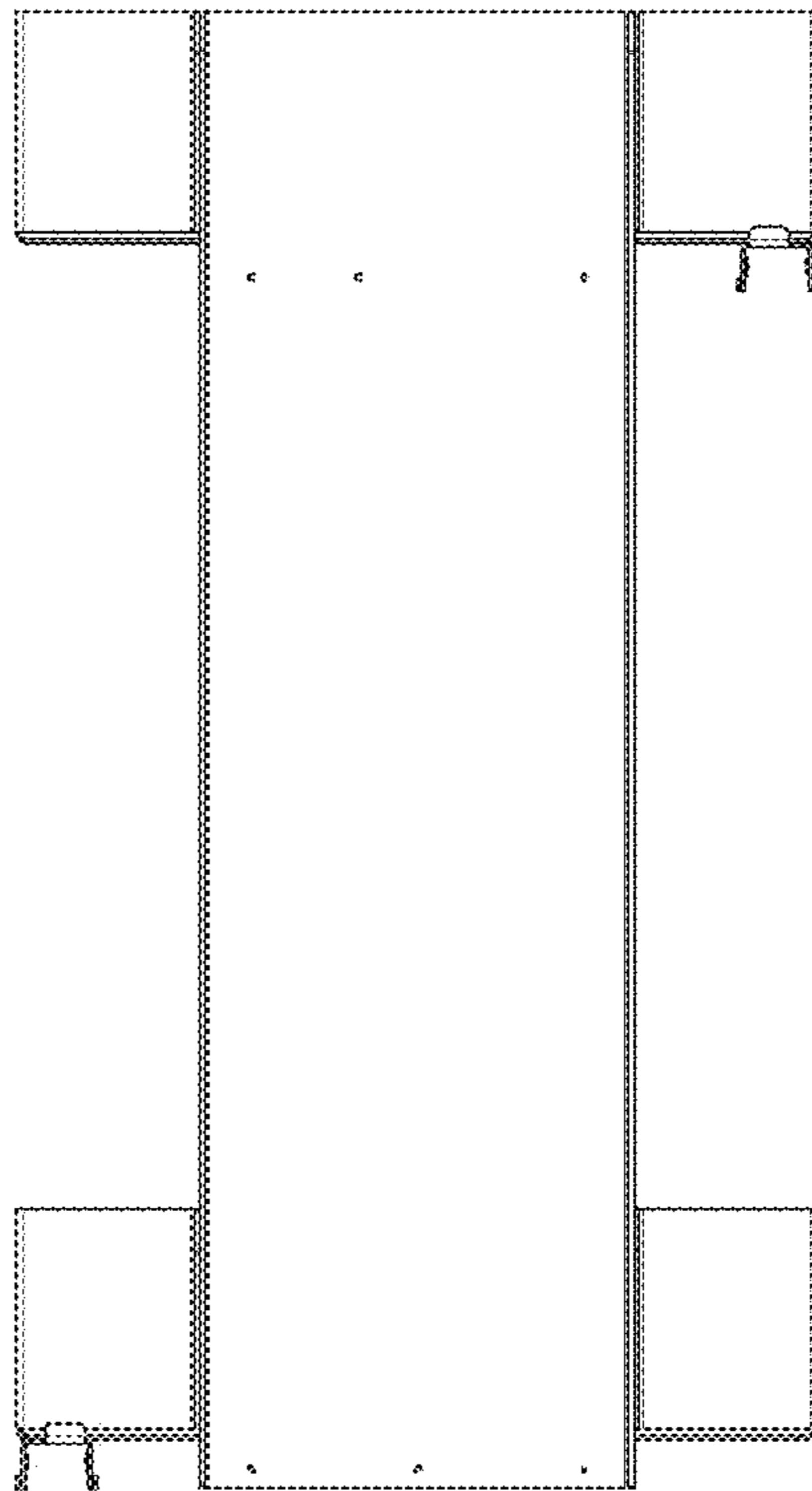


Fig. 12

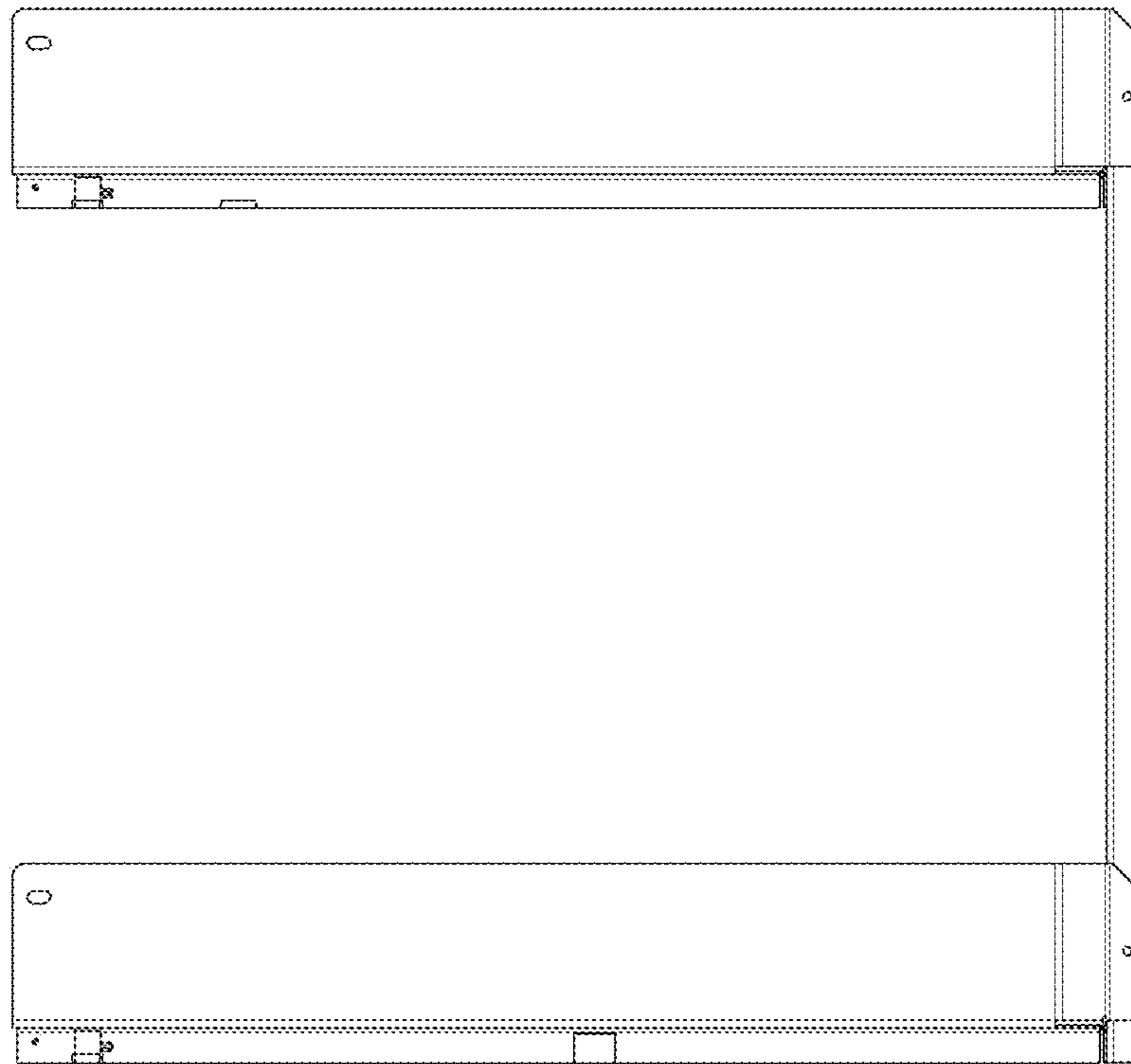


Fig. 13

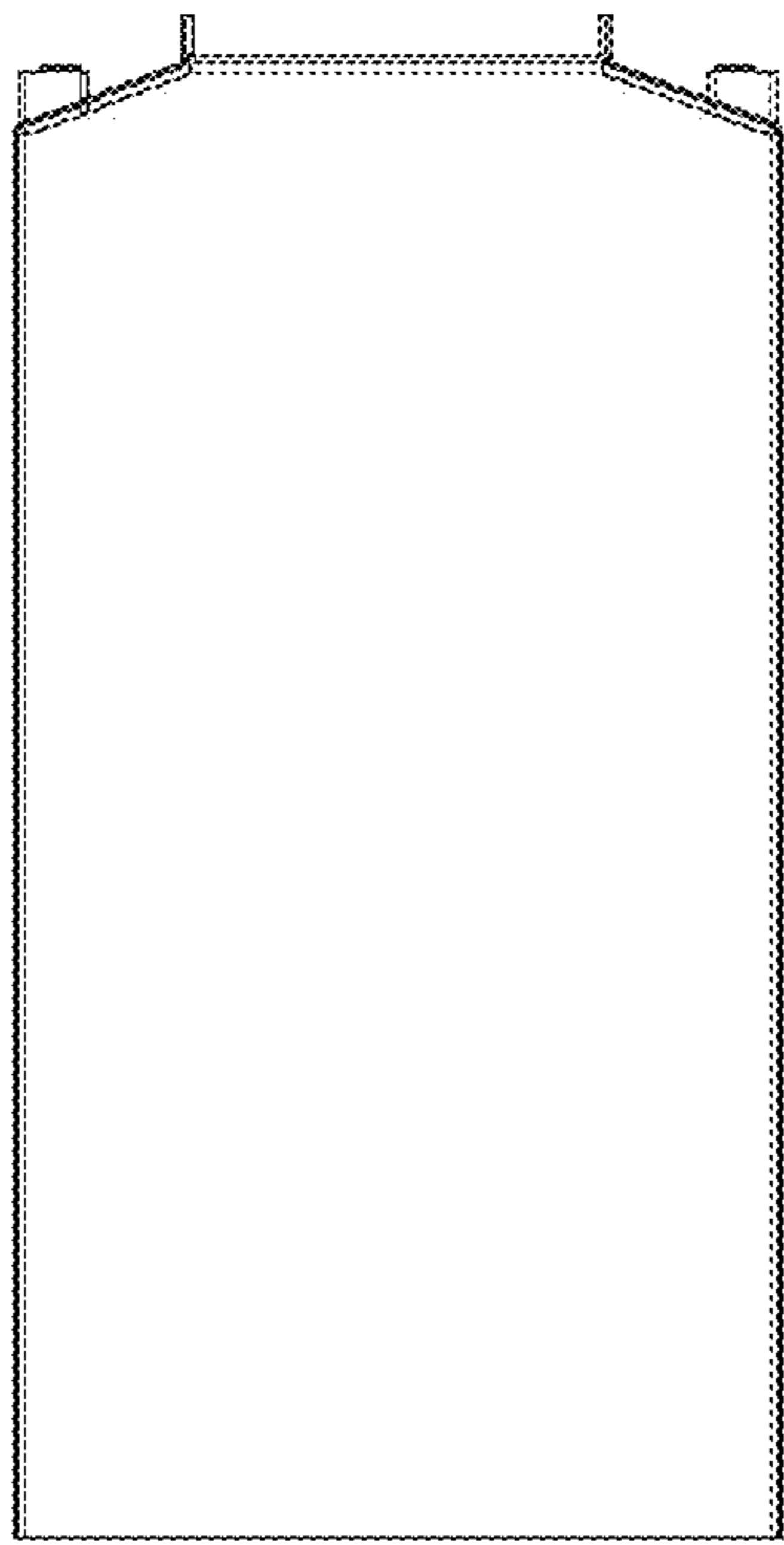


Fig. 14

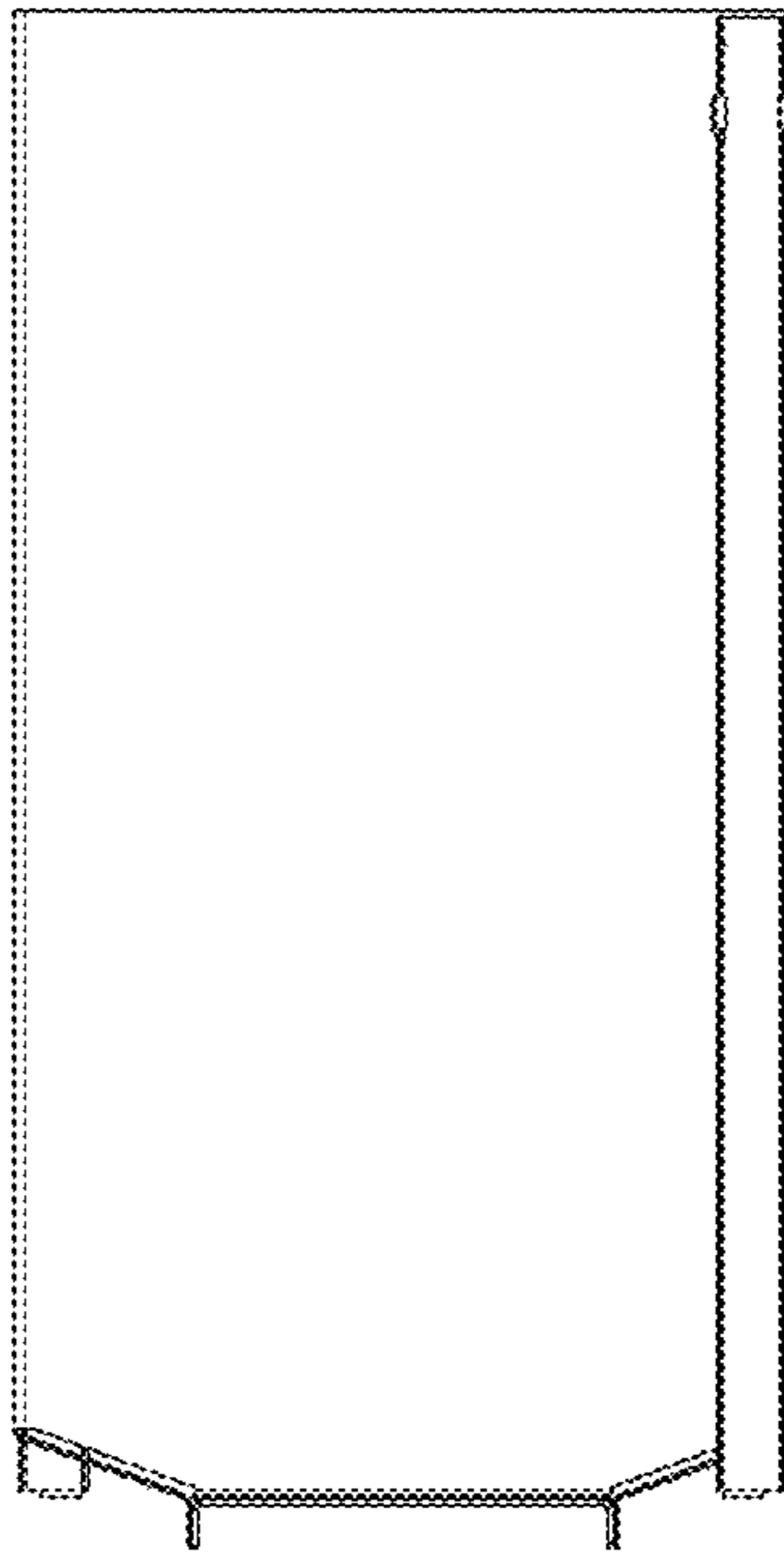


Fig. 15

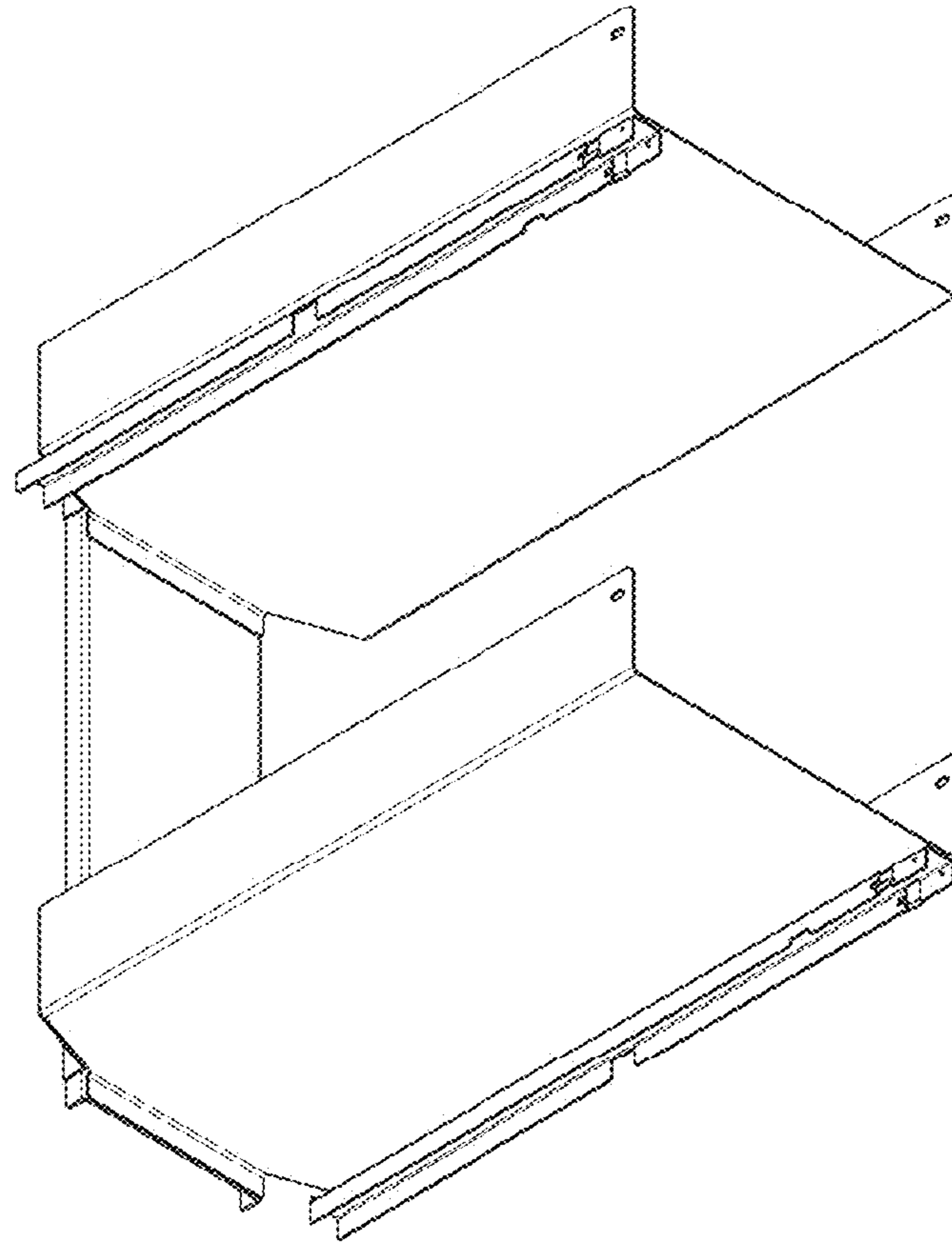


Fig. 16