



US00D959873S

(12) **United States Design Patent** (10) **Patent No.:** **US D959,873 S**
McClelland (45) **Date of Patent:** **** Aug. 9, 2022**

(54) **SHELF UNIT**

(71) Applicant: **Hostel Traders Limited**, Newcastle upon Tyne (GB)

(72) Inventor: **Mark William Sylvester McClelland**, Newcastle upon Tyne (GB)

(73) Assignee: **Hostel Traders Limited**, Newcastle upon Tyne (GB)

(**) Term: **15 Years**

(21) Appl. No.: **29/682,774**

(22) Filed: **Mar. 7, 2019**

(30) **Foreign Application Priority Data**

Sep. 10, 2018 (EM) 005635356

(51) **LOC (13) Cl.** **06-04**

(52) **U.S. Cl.**
USPC **D6/574**

(58) **Field of Classification Search**
USPC D6/574, 320-324; D7/698; D26/72;
108/28-29, 152; 211/13.1, 42, 86.01,
211/88.01, 90.01, 90.03, 126.1, 134, 153;
248/205.3, 235, 243, 247, 250
CPC A47B 43/00; A47B 43/04; A47B 47/0066;
A47B 47/04; A47B 63/00; A47B 69/00;
A47B 71/00

See application file for complete search history.

(56) **References Cited**

U.S. PATENT DOCUMENTS

D414,966 S * 10/1999 Patel D6/574
D443,163 S * 6/2001 Welch D6/574
D520,795 S * 5/2006 Kivett D6/574
D866,220 S * 11/2019 Lee D6/574

* cited by examiner

Primary Examiner — Wan Laymon

(74) *Attorney, Agent, or Firm* — Christopher M. Scherer;
DeWitt LLP

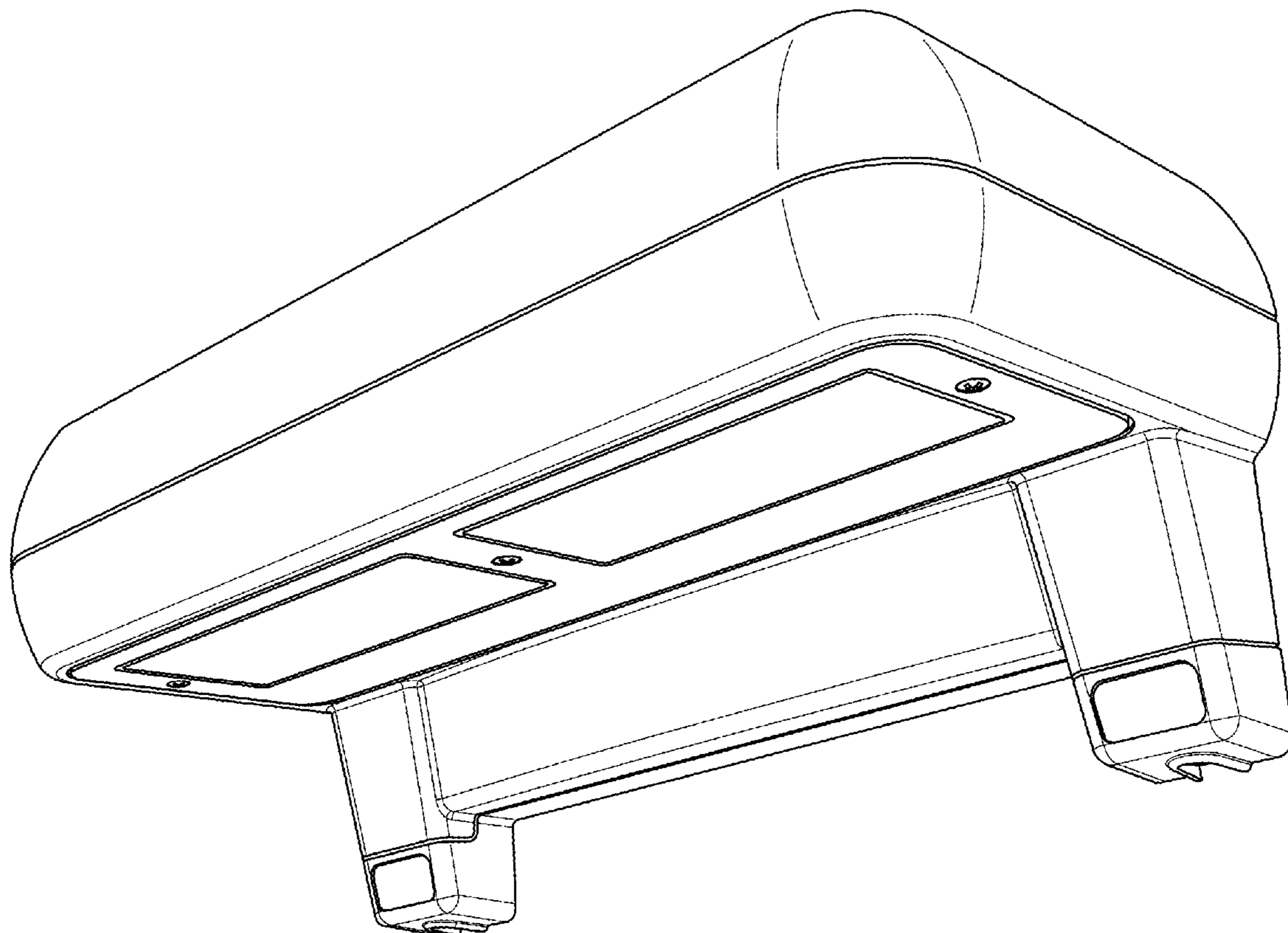
(57) **CLAIM**

The ornamental design for a shelf unit, as shown and described.

DESCRIPTION

FIG. 1 is a bottom front right perspective view of a shelf unit showing my new design;
FIG. 2 is a top view thereof;
FIG. 3 is a bottom view thereof;
FIG. 4 is a right side view thereof;
FIG. 5 is a left side view thereof;
FIG. 6 is a front view thereof; and,
FIG. 7 is a back view thereof.
The broken lines shown in the figures represent portions of the shelf unit that form no part of the claimed design.

1 Claim, 7 Drawing Sheets



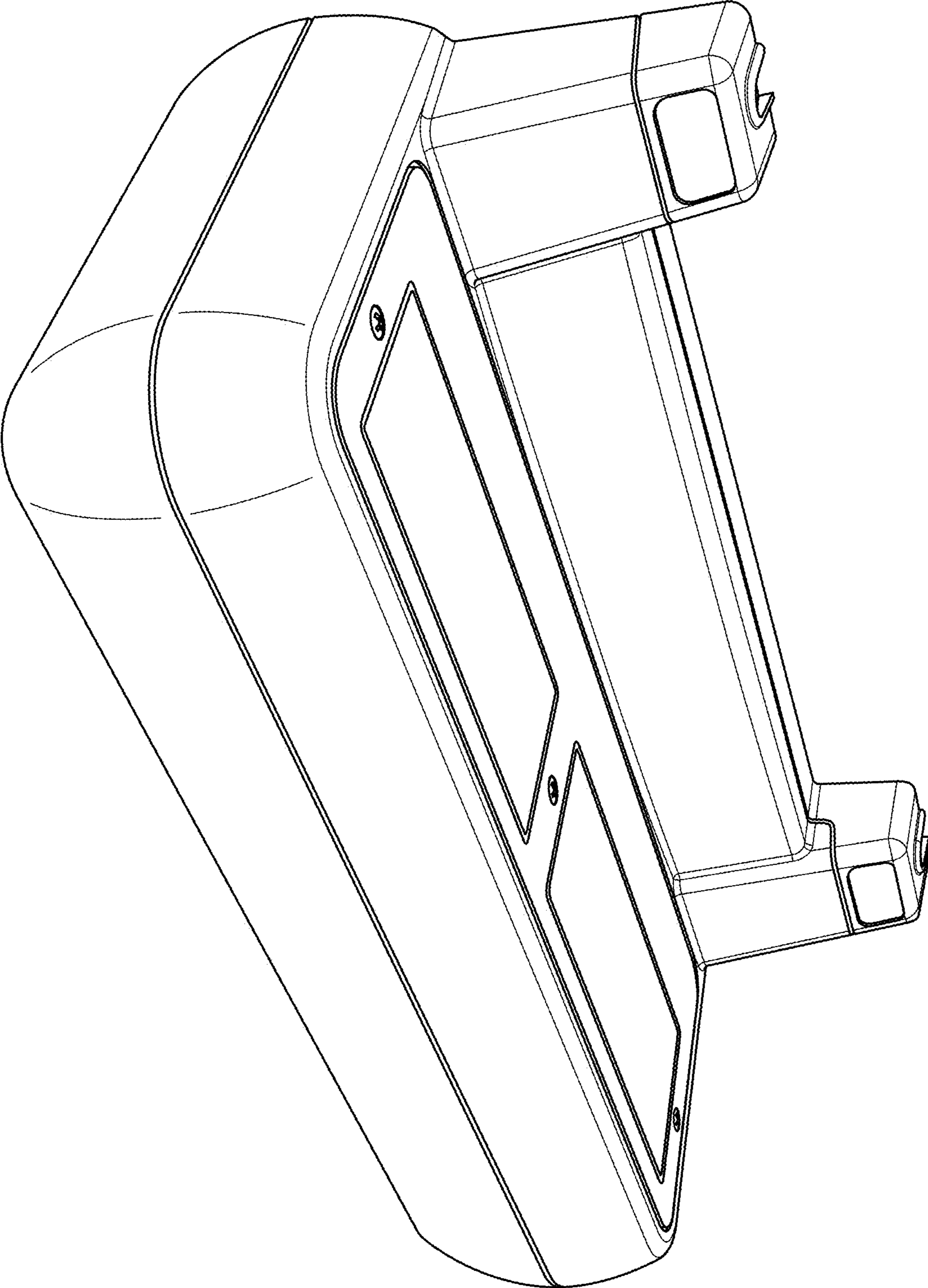


FIG. 1

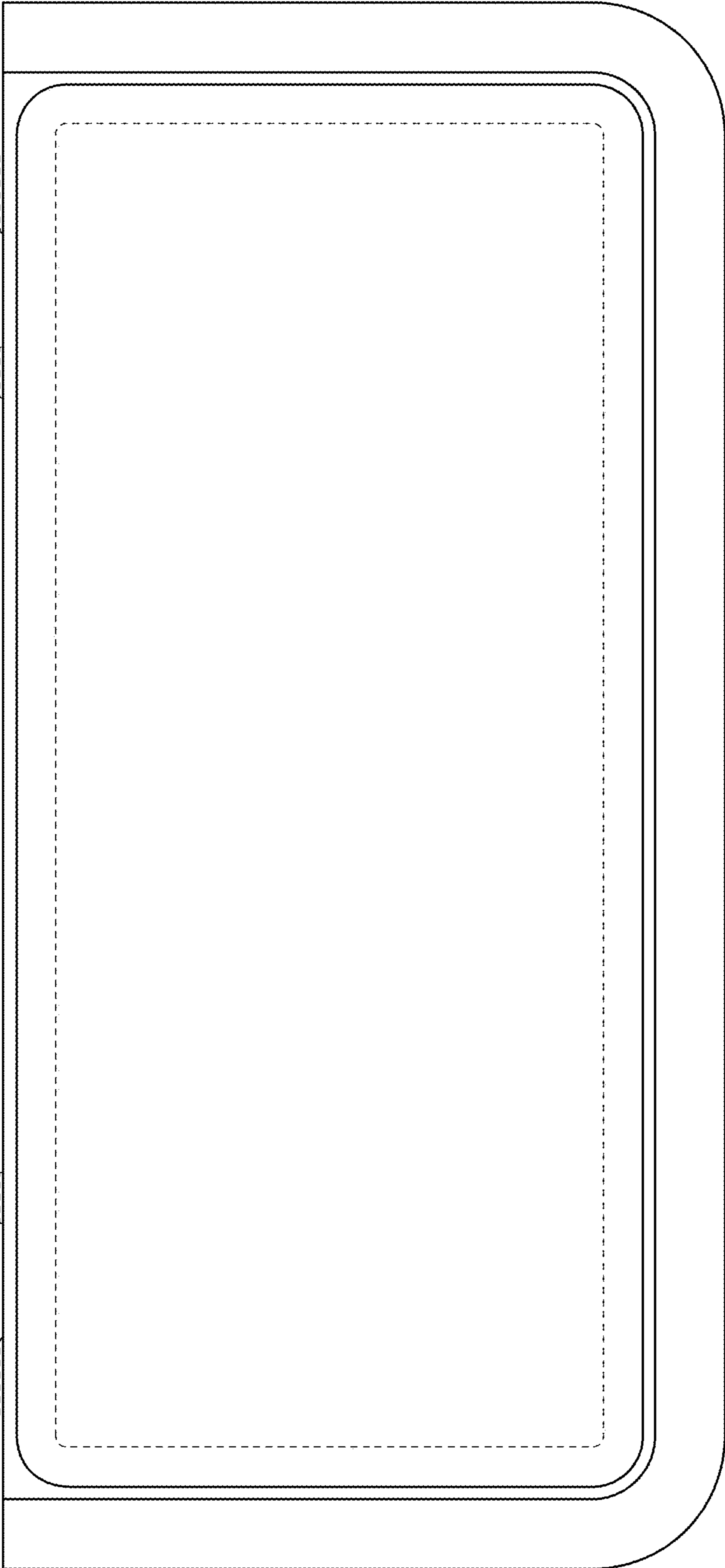


FIG. 2

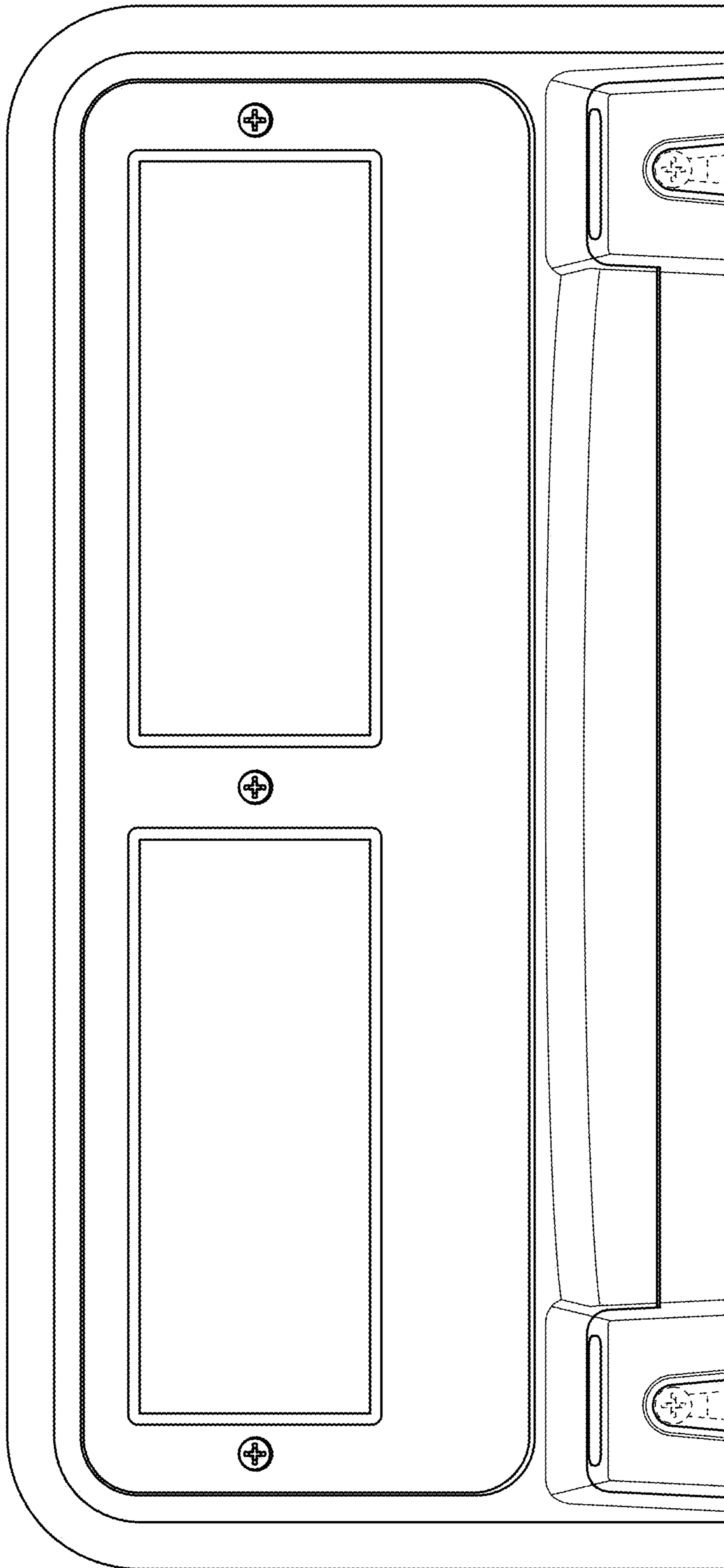


FIG. 3

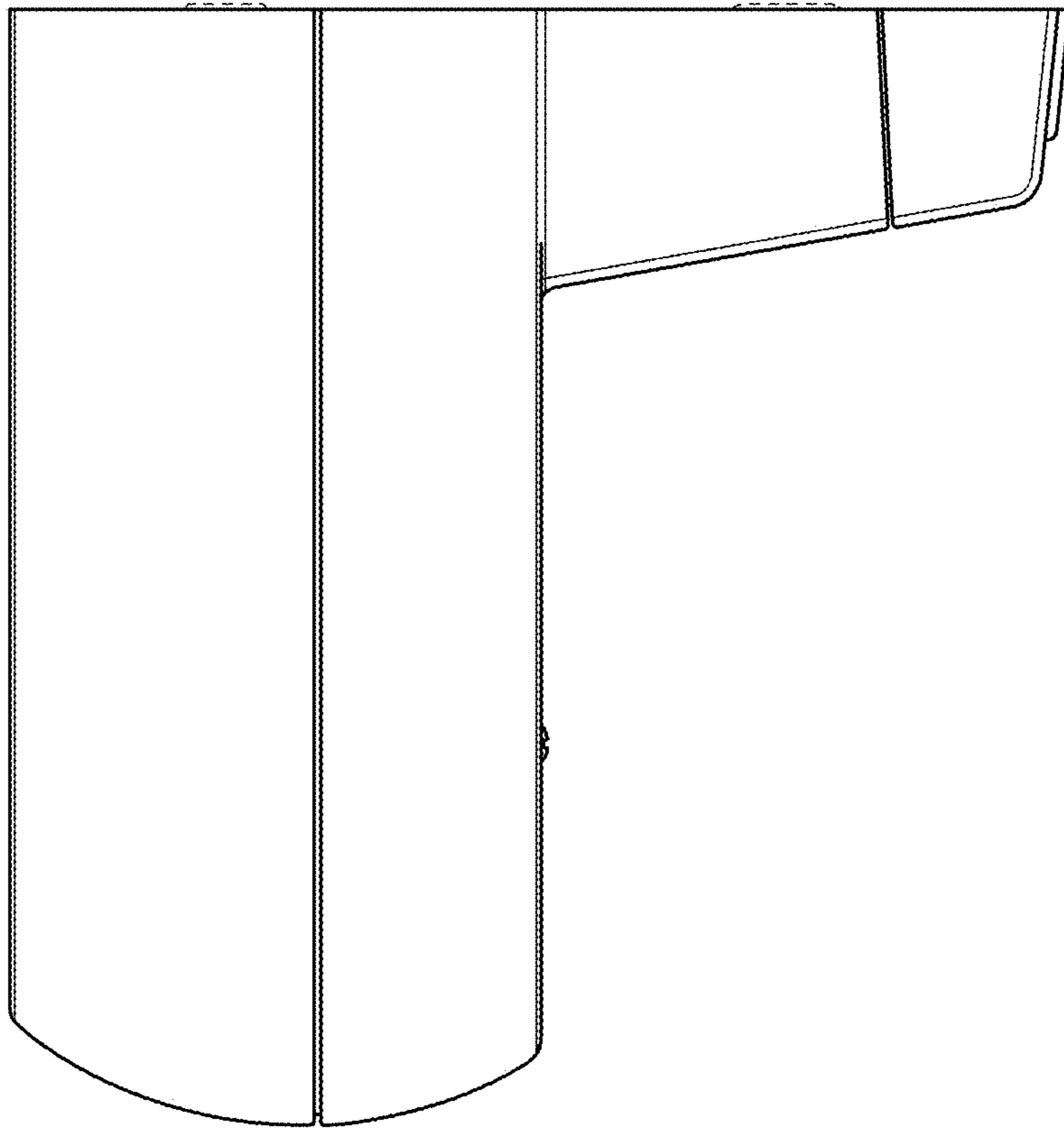


FIG. 4

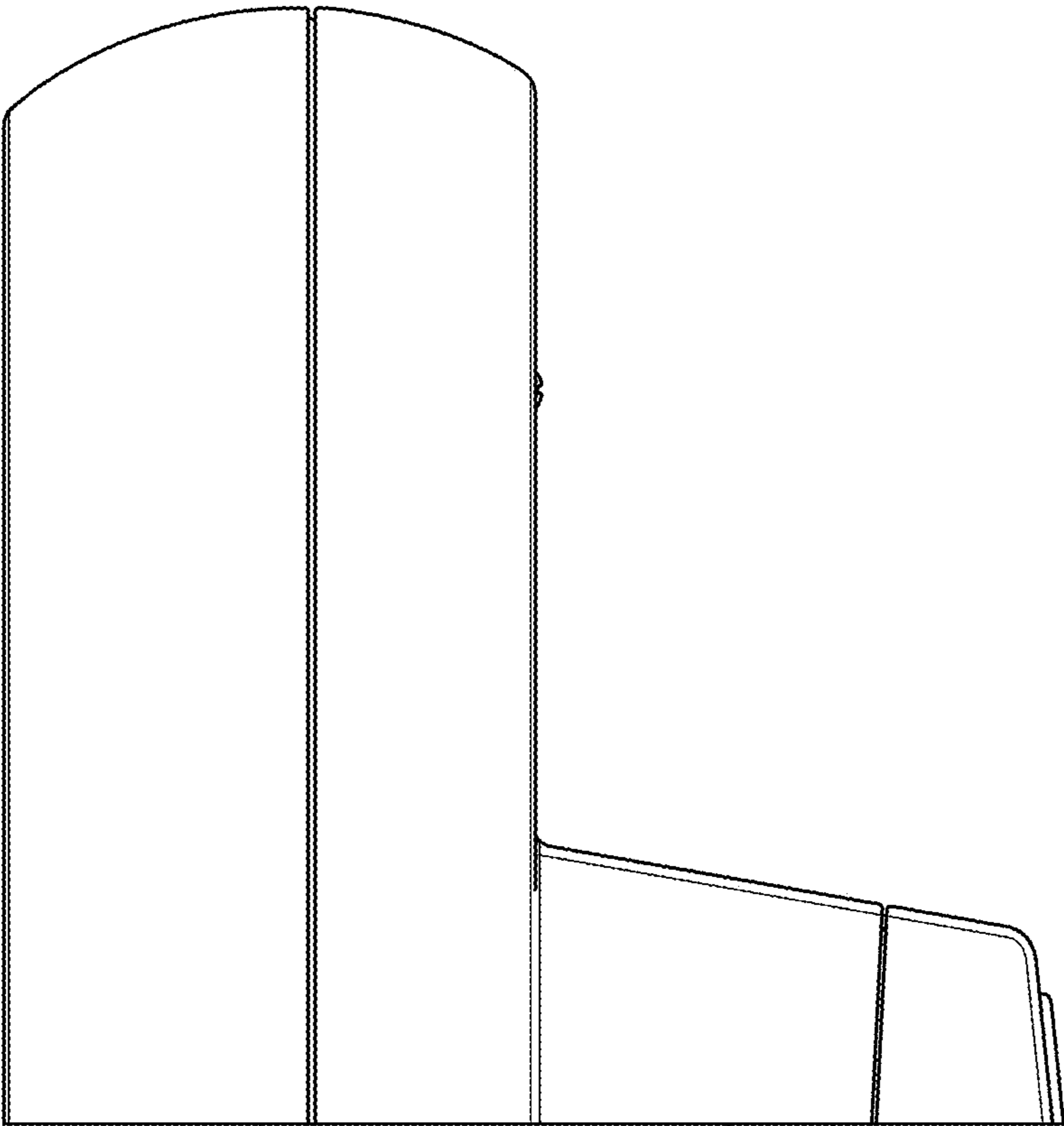


FIG. 5

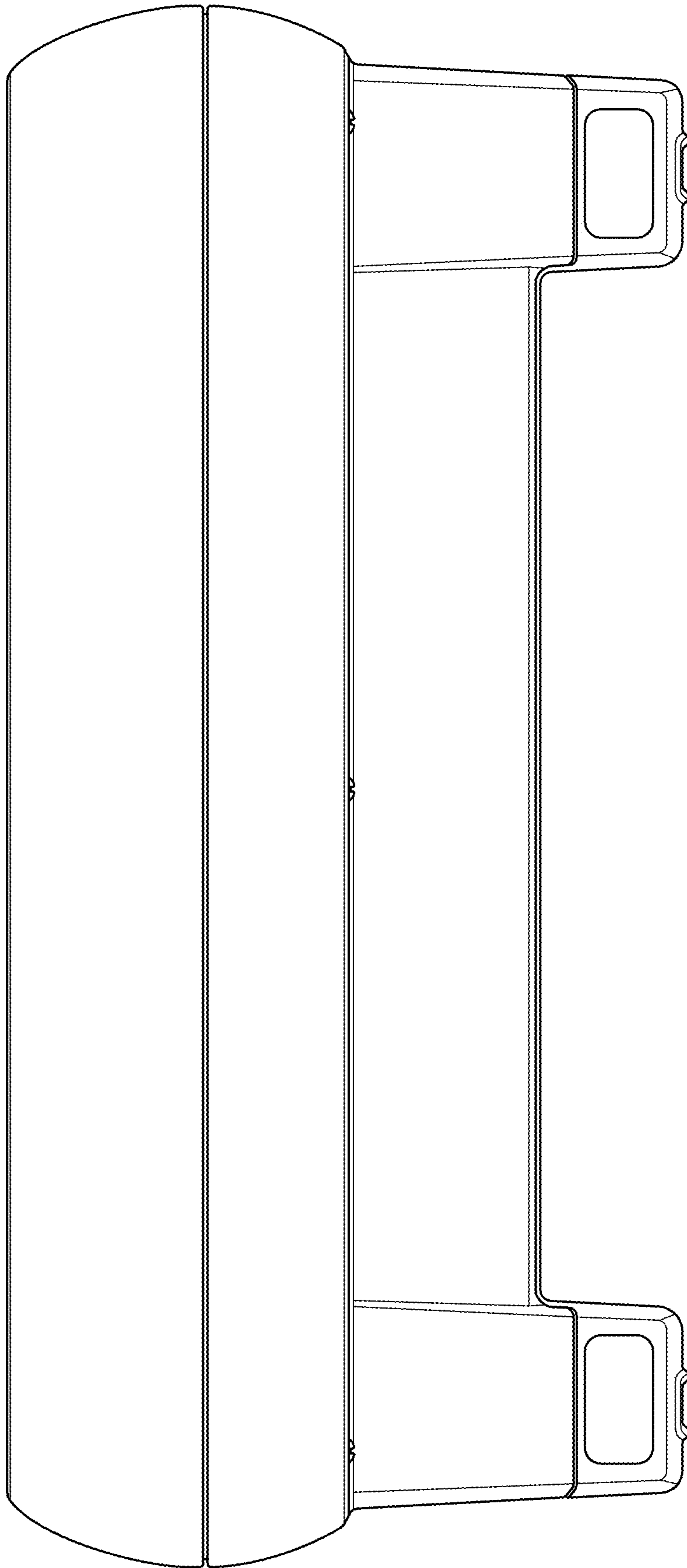


FIG. 6

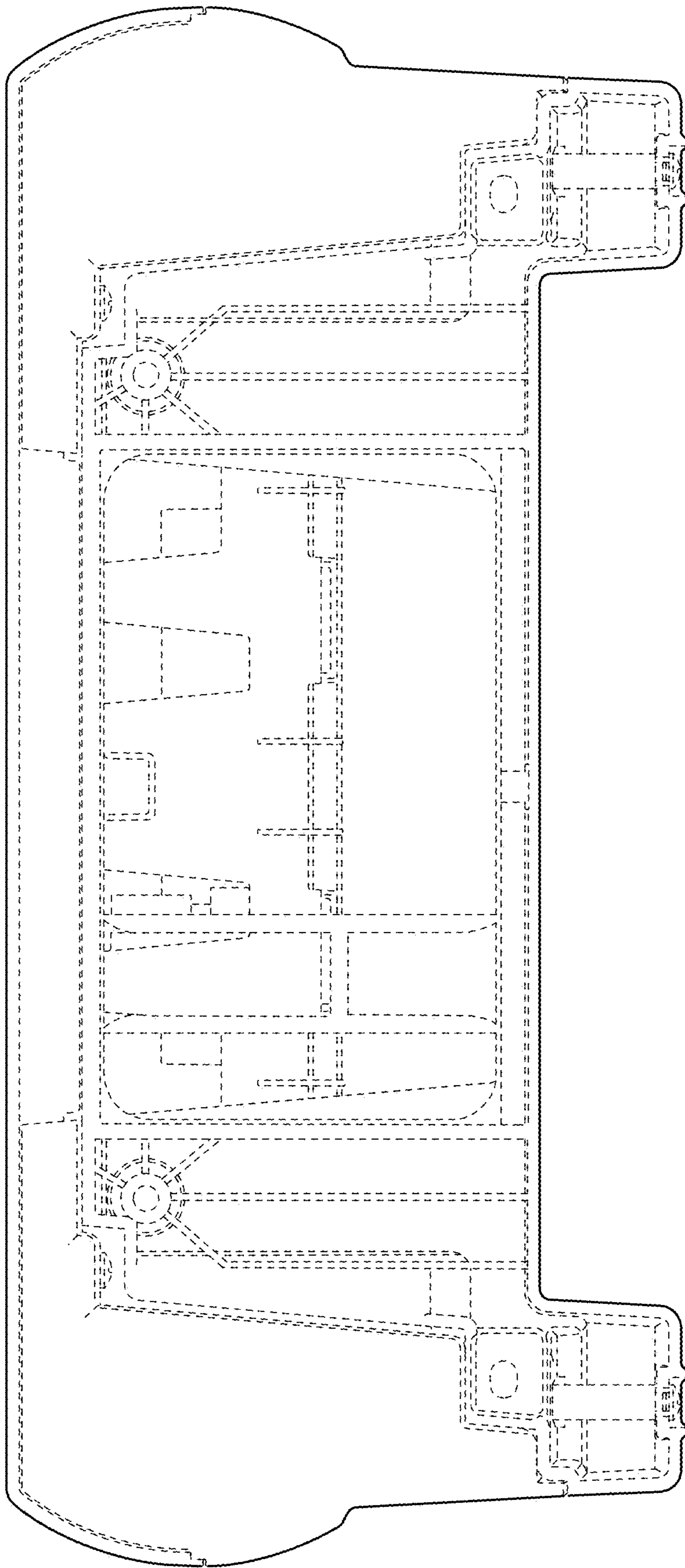


FIG. 7