



US00D959872S

(12) **United States Design Patent** (10) **Patent No.:** **US D959,872 S**
Liu (45) **Date of Patent:** **** Aug. 9, 2022**

(54) **RETRACTABLE HOOK**

(71) Applicant: **Yi Liu**, Guangzhou (CN)

(72) Inventor: **Yi Liu**, Guangzhou (CN)

(**) Term: **15 Years**

(21) Appl. No.: **29/755,467**

(22) Filed: **Oct. 20, 2020**

(51) **LOC (13) Cl.** **08-08**

(52) **U.S. Cl.**
USPC **D6/556**

(58) **Field of Classification Search**
USPC D11/148; D30/124; D8/380, 363, 381,
D8/373, 349, 351, 354, 365, 367, 369;
D6/579, 580, 367, 325, 327, 556, 553,
D6/306, 320, 323, 562, 572; D26/138;
108/152, 108; 312/408, 404; 248/27.8,
248/339, 300, 298.1, 250, 247, 301,
248/297.21, 304, 243
CPC A47G 7/047; A47G 7/044; A47G 25/0607;
A47G 29/00; A47H 2023/003; A01G
9/128; F21S 4/20

See application file for complete search history.

(56) **References Cited**

U.S. PATENT DOCUMENTS

501,198 A * 7/1893 Taylor A47G 25/0607
248/218.2
D242,051 S * 10/1976 Brown D27/176
4,071,216 A * 1/1978 Einhorn A47B 96/061
248/282.1
D251,357 S * 3/1979 Chasen D8/381
D251,944 S * 5/1979 Chasen D6/556
D348,631 S * 7/1994 Hollinger D6/556

D583,601 S * 12/2008 Doyle D6/556
D703,972 S * 5/2014 Steele D6/556
D703,973 S * 5/2014 Steele D6/556
D856,025 S * 8/2019 Sahaye D6/556
2019/0343304 A1* 11/2019 Murphy A47G 7/045

OTHER PUBLICATIONS

12-Inch Extendable Bird Feeder Bracket. APBFH (online) 10 pgs.
Available Apr. 28, 2021. [Retrieved Mar. 9, 2022] <https://www.amazon.com/APBFH-12-Inch-Outdoor-Extendable-Decorative/dp/B08R5MNJKM> (Year: 2021).*

* cited by examiner

Primary Examiner — Marie D. Fast Horse
Assistant Examiner — Jennifer Sierra Yosinski

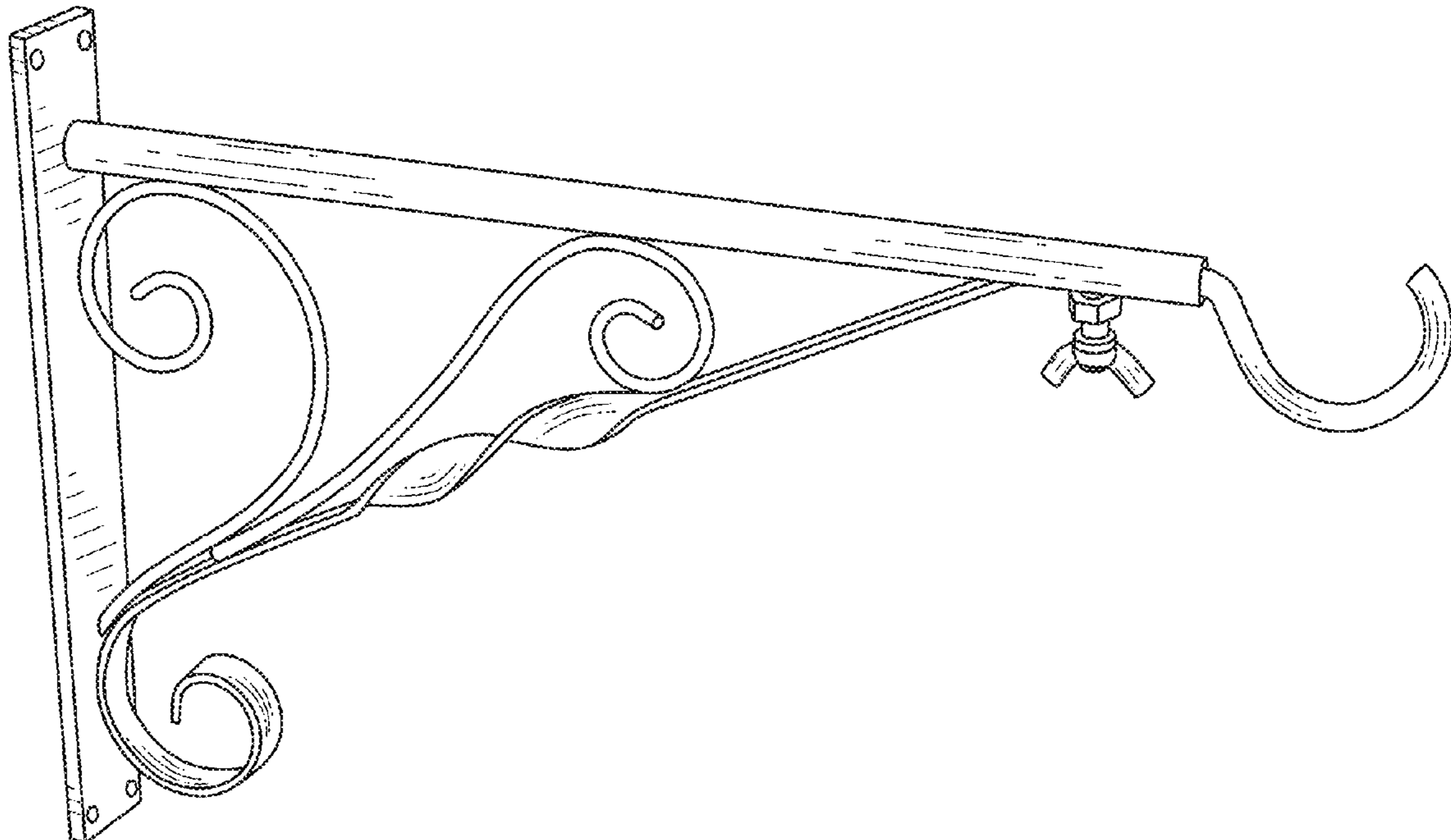
(57) **CLAIM**

The ornamental design for a retractable hook, as shown and described.

DESCRIPTION

FIG. 1 is a perspective view of a retractable hook showing my new design;
FIG. 2 is a front elevational view thereof;
FIG. 3 is a rear elevational view thereof;
FIG. 4 is a left side elevational view thereof;
FIG. 5 is a right side elevational view thereof;
FIG. 6 is a top plan view thereof; and,
FIG. 7 is a bottom plan view thereof.

1 Claim, 7 Drawing Sheets



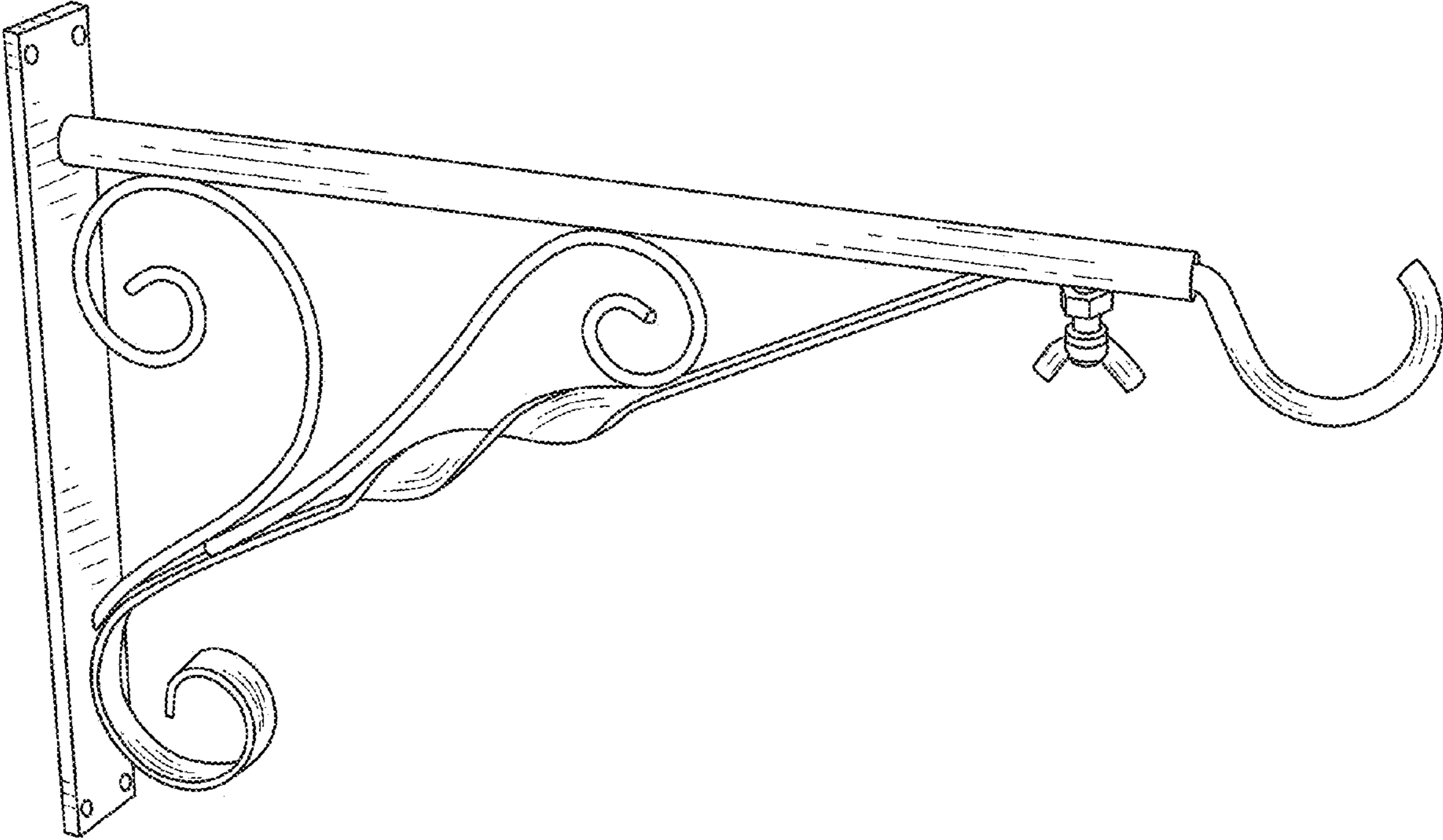


FIG. 1

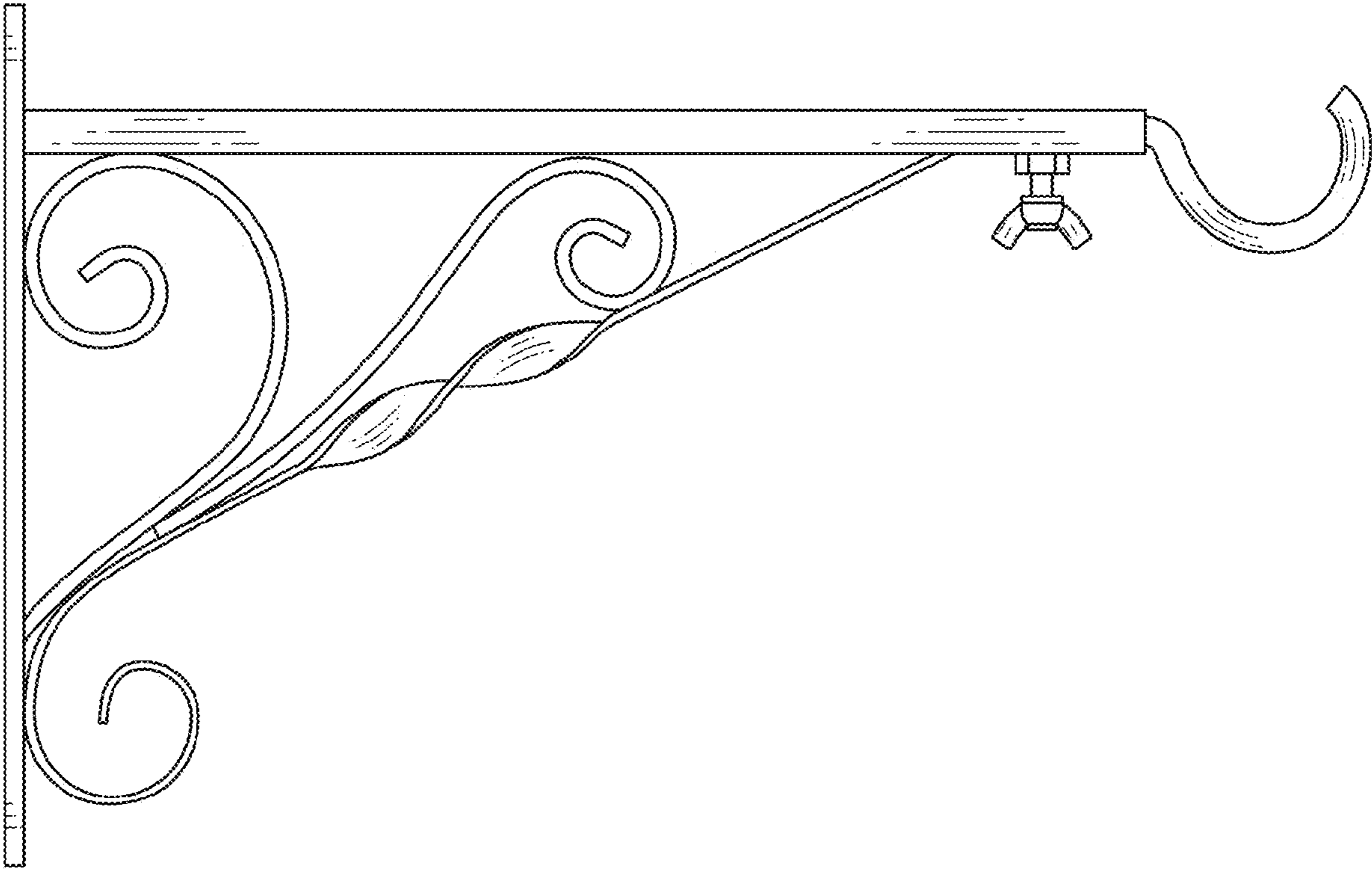


FIG. 2

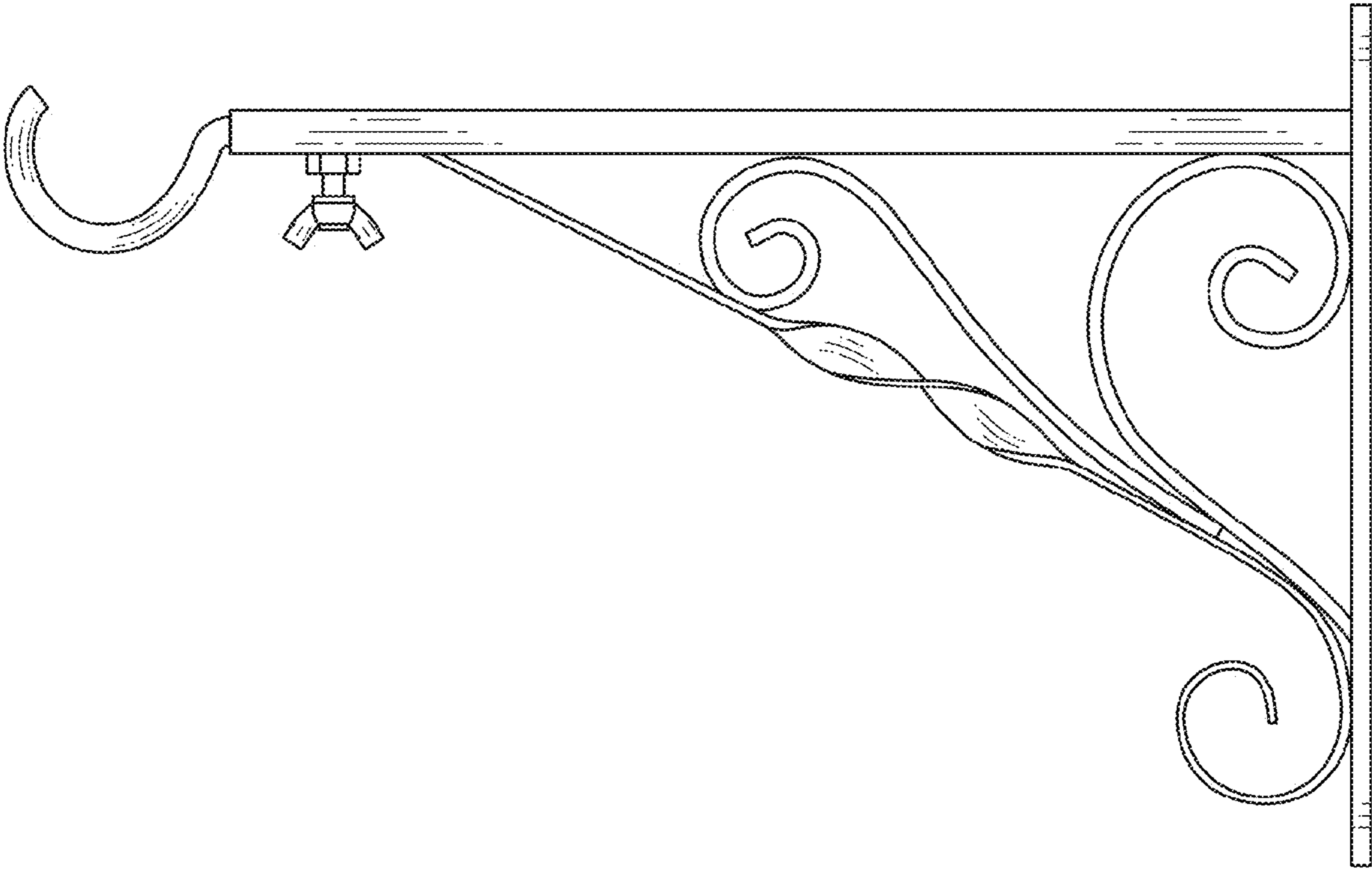


FIG. 3

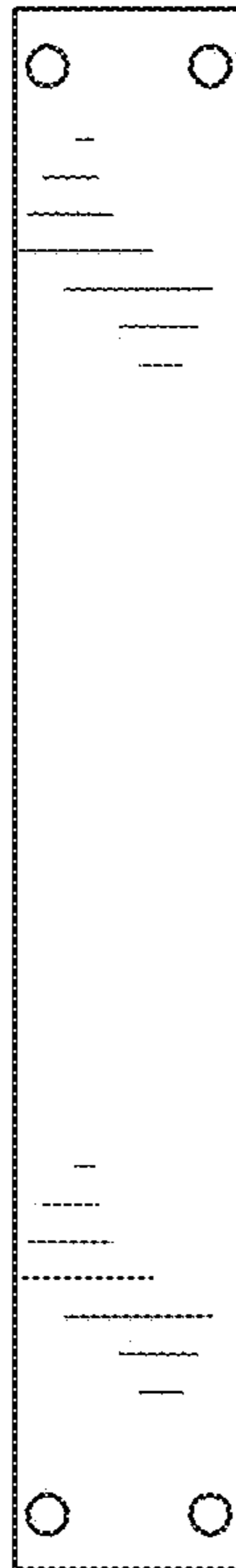


FIG. 4

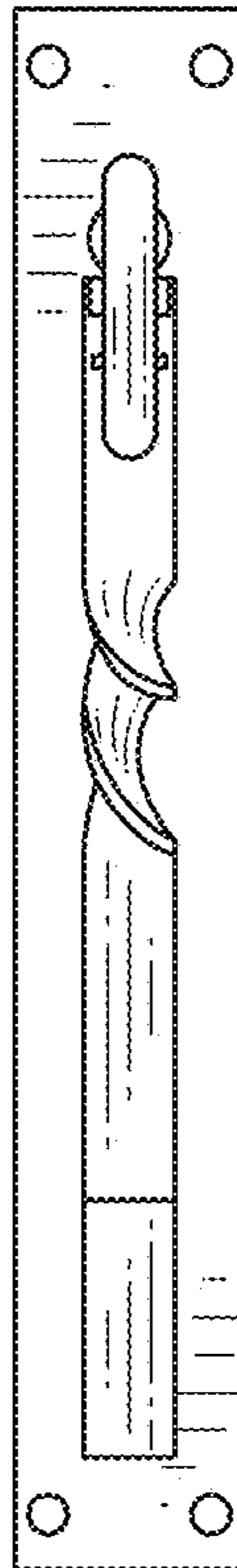


FIG. 5

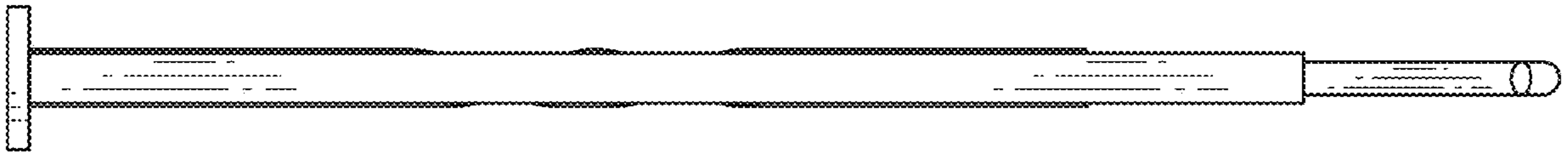


FIG. 6

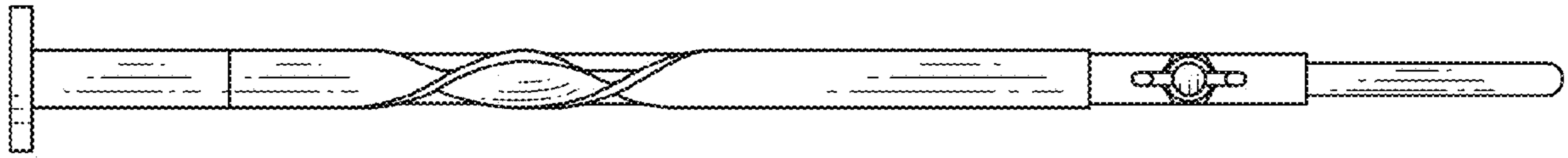


FIG. 7