



US00D959871S

(12) **United States Design Patent** (10) **Patent No.:** **US D959,871 S**
Alexander et al. (45) **Date of Patent:** **** Aug. 9, 2022**

(54) **SPRAY GUN RETAINER** 5,752,687 A * 5/1998 Lynch B62J 11/04
215/390
(71) Applicant: **FNA Group, Inc.**, Pleasant Prairie, WI D425,351 S * 5/2000 Rhodenbaugh D6/545
(US) D754,001 S * 4/2016 Barrier D9/434
D813,599 S * 3/2018 Gallagher D7/400
D857,449 S * 8/2019 Trenchfield D7/622
(72) Inventors: **Christopher Alexander**, Park Ridge, IL 2004/0135049 A1* 7/2004 Kent-Fawkes B65D 23/106
(US); **Daniel Joseph Brtis**, Kenosha, 248/312.1
WI (US); **Gino Anthony Mueller**,
Pleasant Prairie, WI (US); **Barton**
Steven Wolf, Brookfield, WI (US)

(73) Assignee: **FNA Group, Inc.**, Pleasant Prairie, WI
(US)

(**) Term: **15 Years**

(21) Appl. No.: **29/766,108**

(22) Filed: **Jan. 13, 2021**

(51) **LOC (13) Cl.** **08-08**

(52) **U.S. Cl.**
USPC **D6/552**

(58) **Field of Classification Search**
USPC D7/397, 399, 400, 601, 602, 619.1, 620,
D7/622, 624.1, 704; D6/556; D9/443,
D9/455, 434; D30/121, 133
CPC A47G 23/0266; A47G 23/0258; A47G
23/0241

See application file for complete search history.

(56) **References Cited**

U.S. PATENT DOCUMENTS

2,360,767 A * 10/1944 Elmquist B62J 11/02
224/442
4,071,175 A * 1/1978 Wagon B62J 11/04
248/230.8
D302,527 S * 8/1989 Spies D9/434
D303,053 S * 8/1989 Albert D6/552
D314,736 S * 2/1991 Ring D12/114
D338,176 S * 8/1993 Fedel D12/114

OTHER PUBLICATIONS

Tinkeep Broom Holder Mop Holder Broom & Mop Grippers, Nov.
29, 2019, amazon.ca, Feb. 15, 2022, URL: <https://www.amazon.ca/Tinkeep-Grippers-Adhesive-Drilling-Anti-Slip/dp/B081Y156PL> (Year:
2019).*

(Continued)

Primary Examiner — Keith J Wilson

(74) *Attorney, Agent, or Firm* — Hanley, Flight &
Zimmerman, LLC

(57) **CLAIM**

The ornamental design for a spray gun retainer, as shown
and described.

DESCRIPTION

FIG. 1 is a front, right perspective view of a spray gun
retainer to be attached to industrial or commercial equip-
ment such as to a frame of a pressure washer.

FIG. 2 is a front view of the spray gun retainer of FIG. 1.

FIG. 3 is a rear view of the spray gun retainer of FIG. 1.

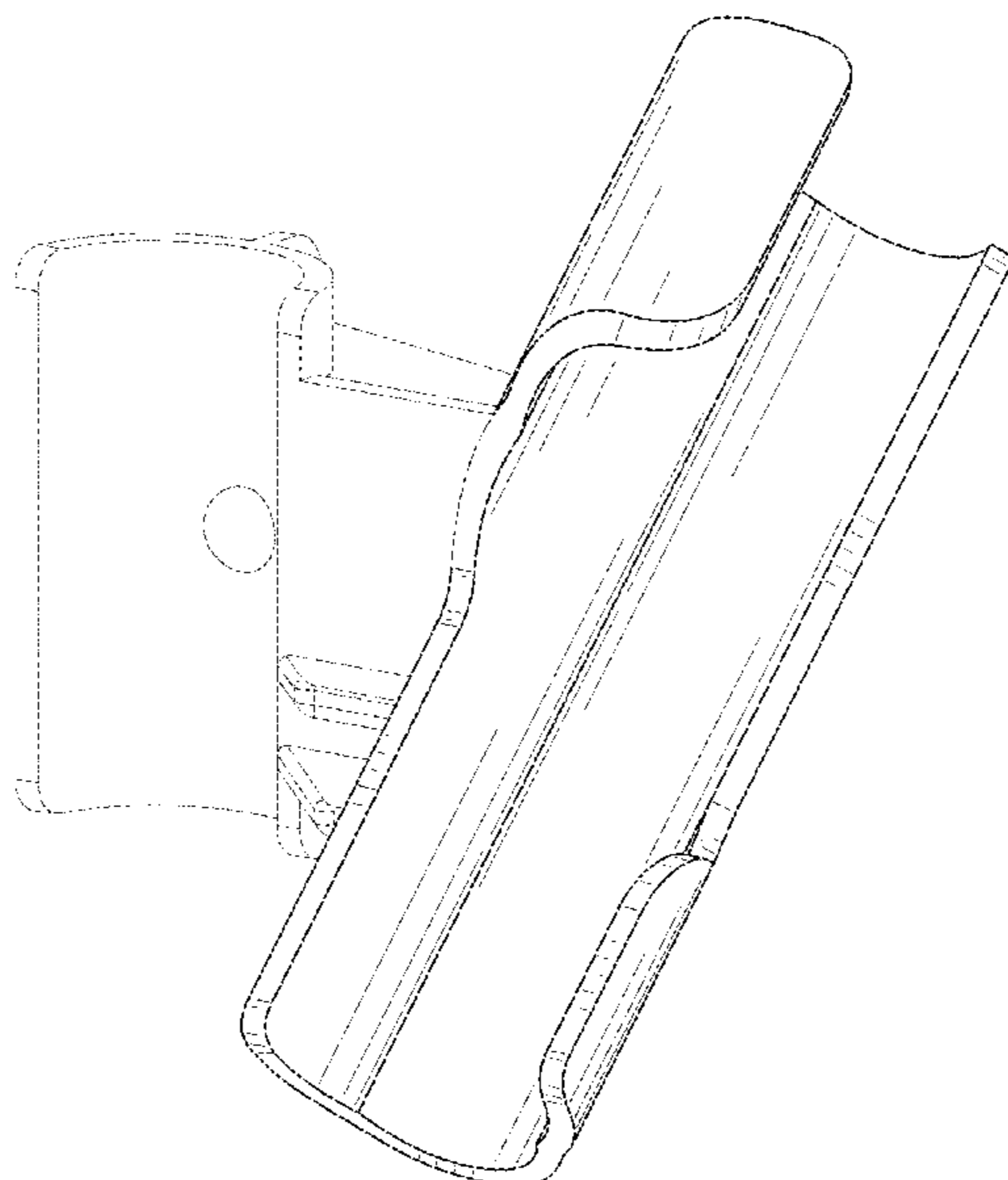
FIG. 4 is a right side view of the spray gun retainer of FIG.
1.

FIG. 5 is a left side view of the spray gun retainer of FIG.
1.

FIG. 6 is a top view of the spray gun retainer of FIG. 1; and,
FIG. 7 is a bottom view of the spray gun retainer of FIG. 1.

The broken lines shown represent portion of a spray gun
retainer and form no part of the claimed design.

1 Claim, 7 Drawing Sheets



(56)

References Cited

OTHER PUBLICATIONS

Bike Cycling Pump Holder Portable Pump Retaining Clips Bracket, Feb. 15, 2018, amazon.ca, Feb. 15, 2022, URL: <https://www.amazon.ca/SunniMix-Cycling-Portable-Retaining-Bracket/dp/B079TLQRSZ> (Year: 2018).*

DS. Distinctive Style DS. Distinctive Style Bike Pump Bracket, Jan. 25, 2018, amazon.ca, Feb. 15, 2022, URL: <https://www.amazon.ca/Ace-Select-Bracket-Frame-Mounted-Mountain/dp/B078W5G8G3/> (Year: 2018).*

* cited by examiner

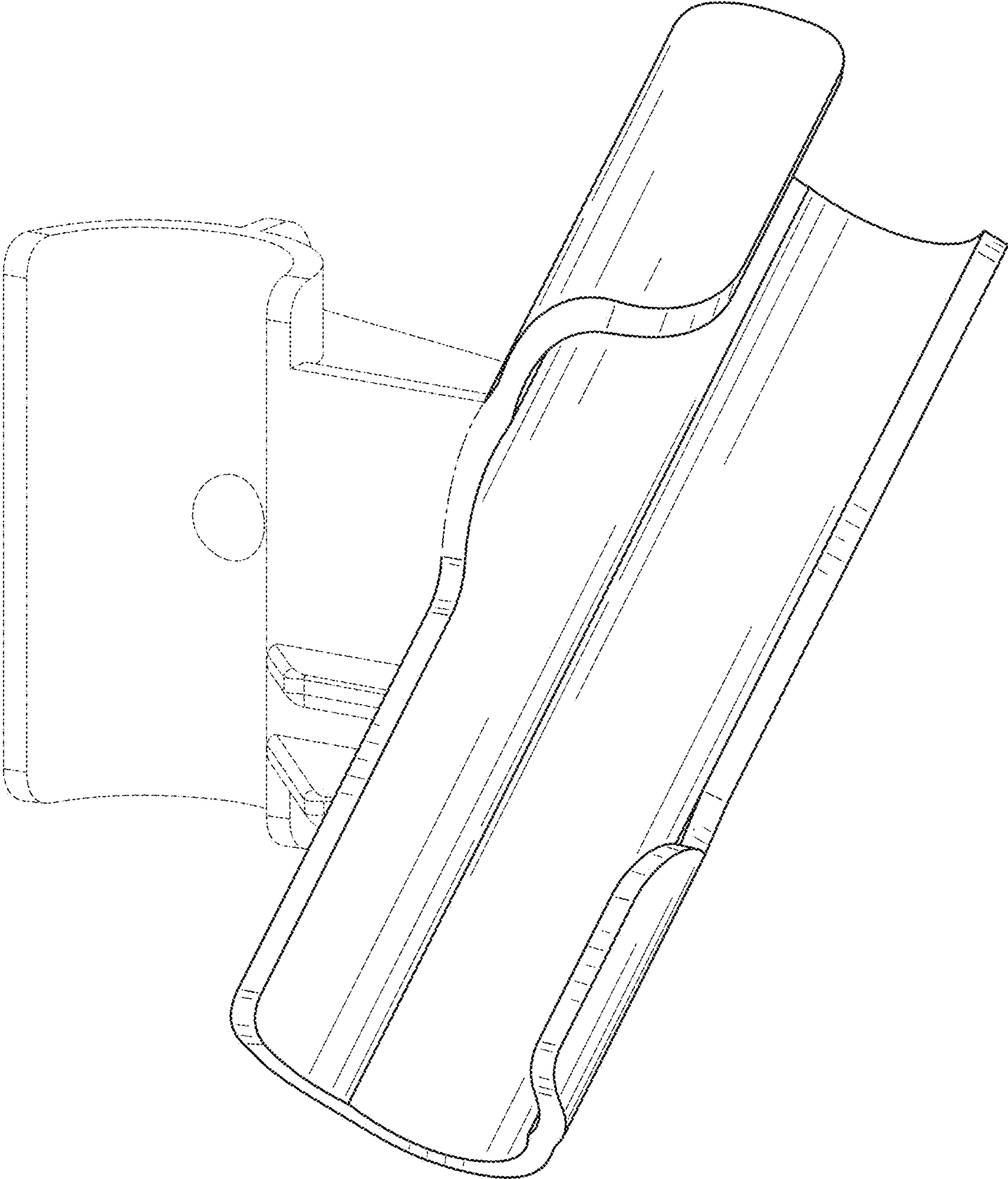


FIG. 1

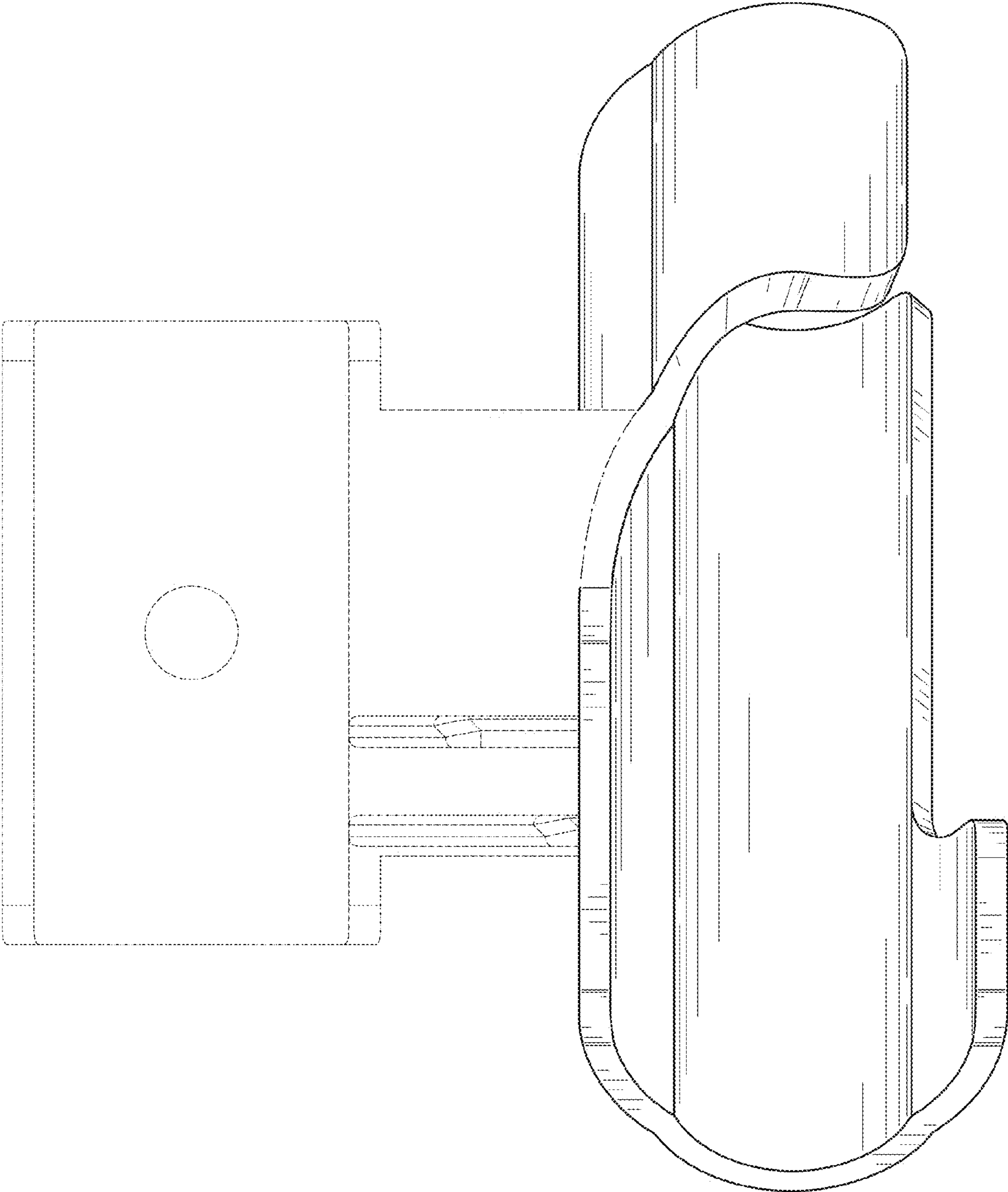


FIG. 2

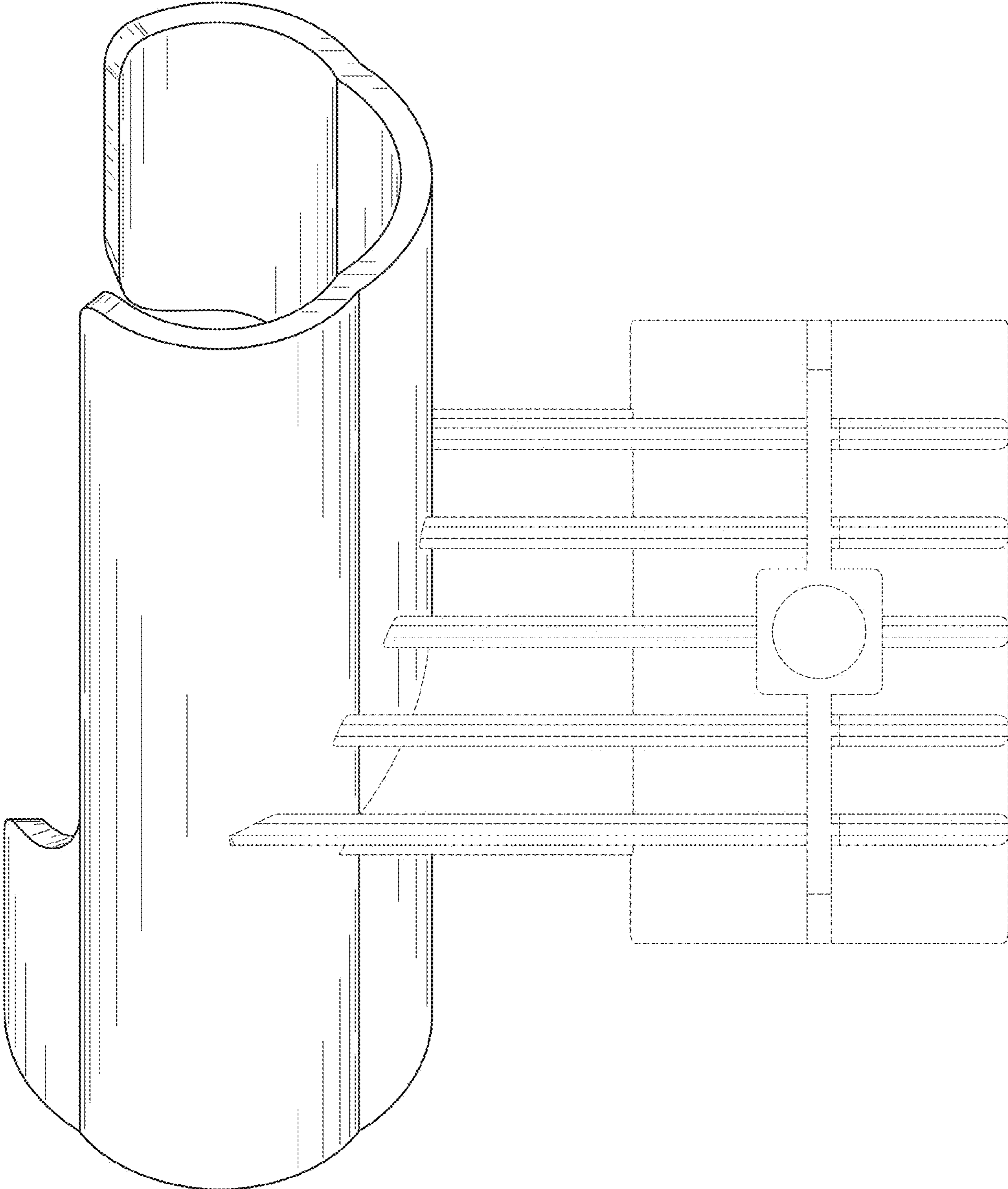


FIG. 3

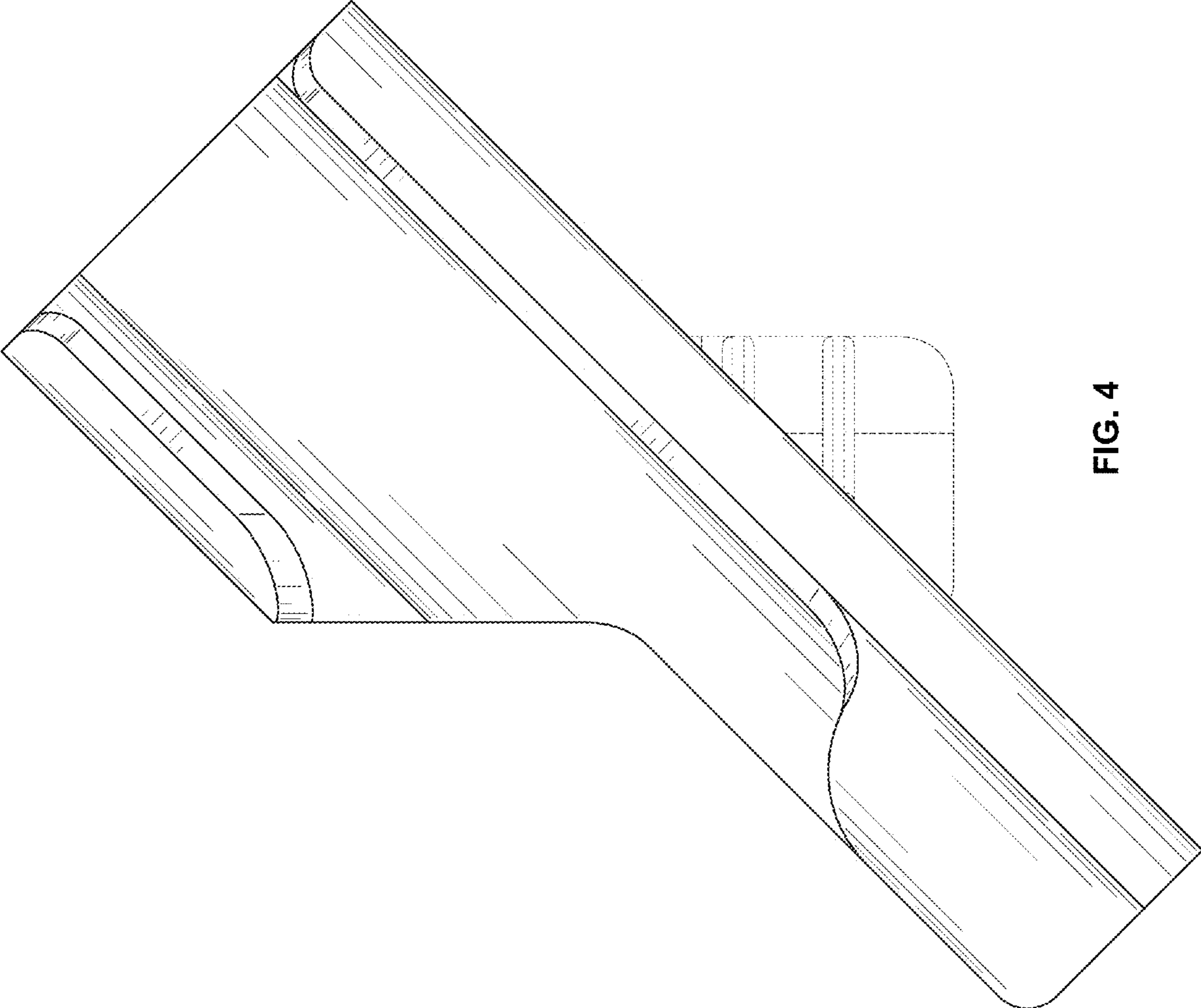


FIG. 4

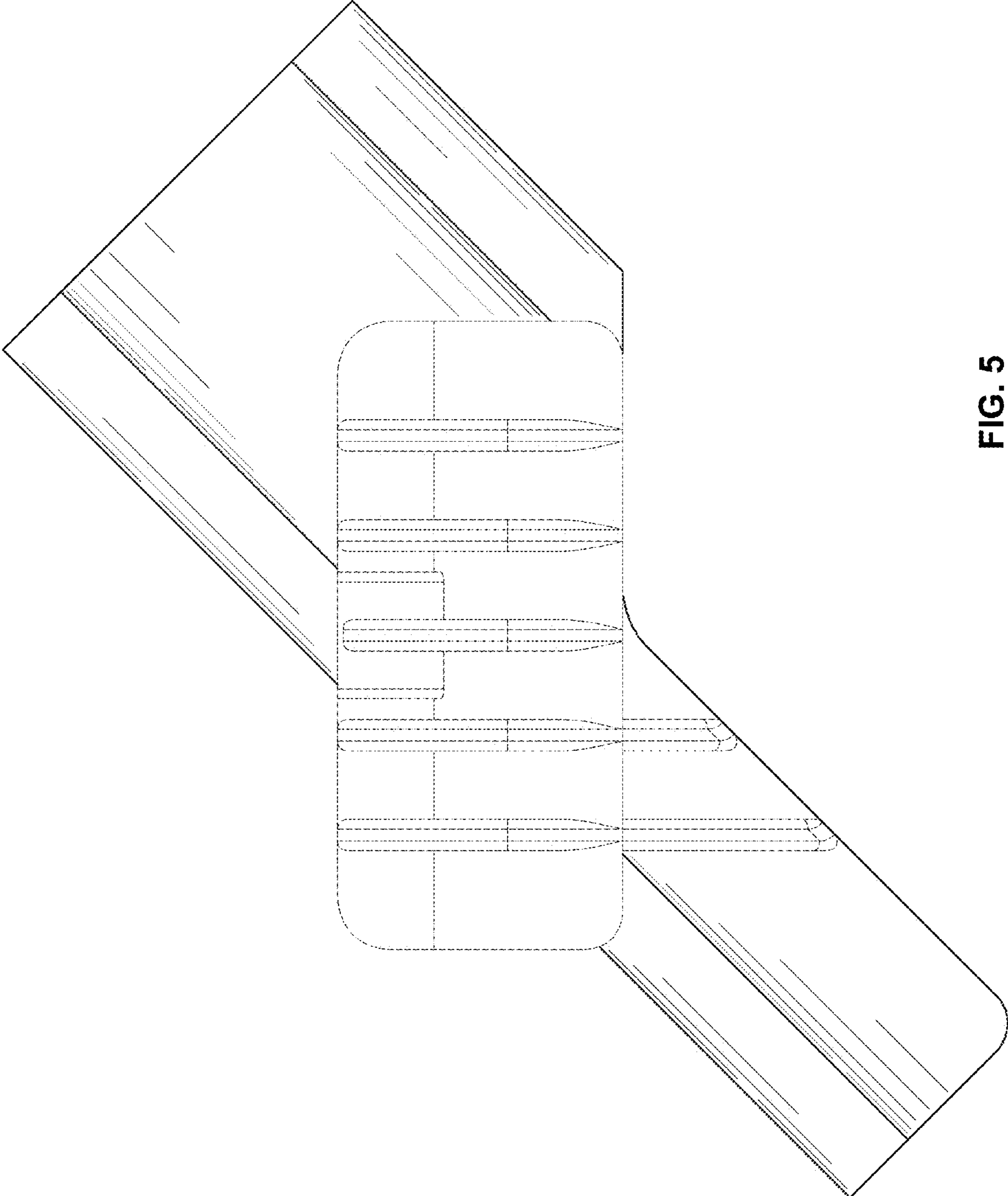


FIG. 5

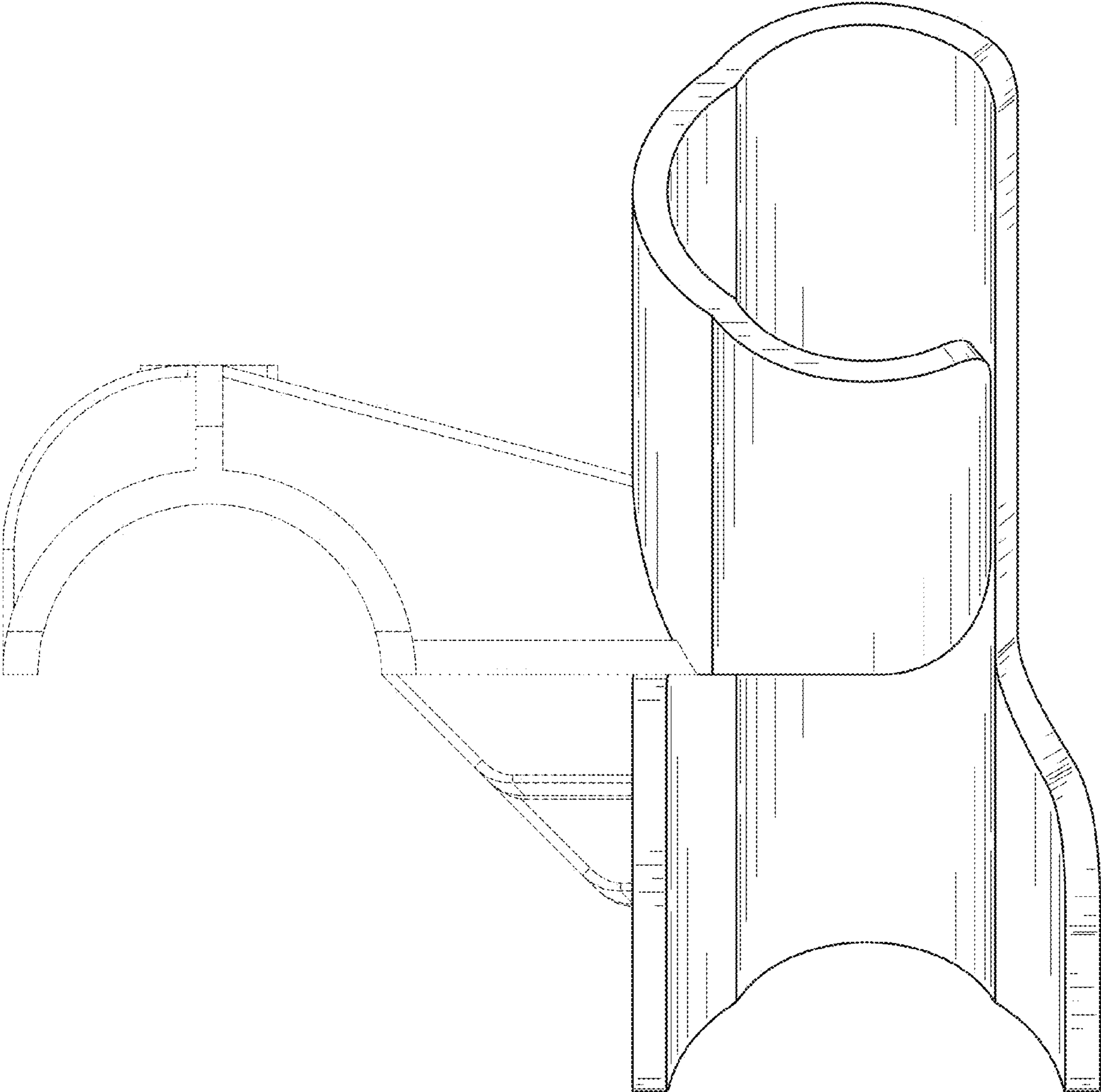


FIG. 6

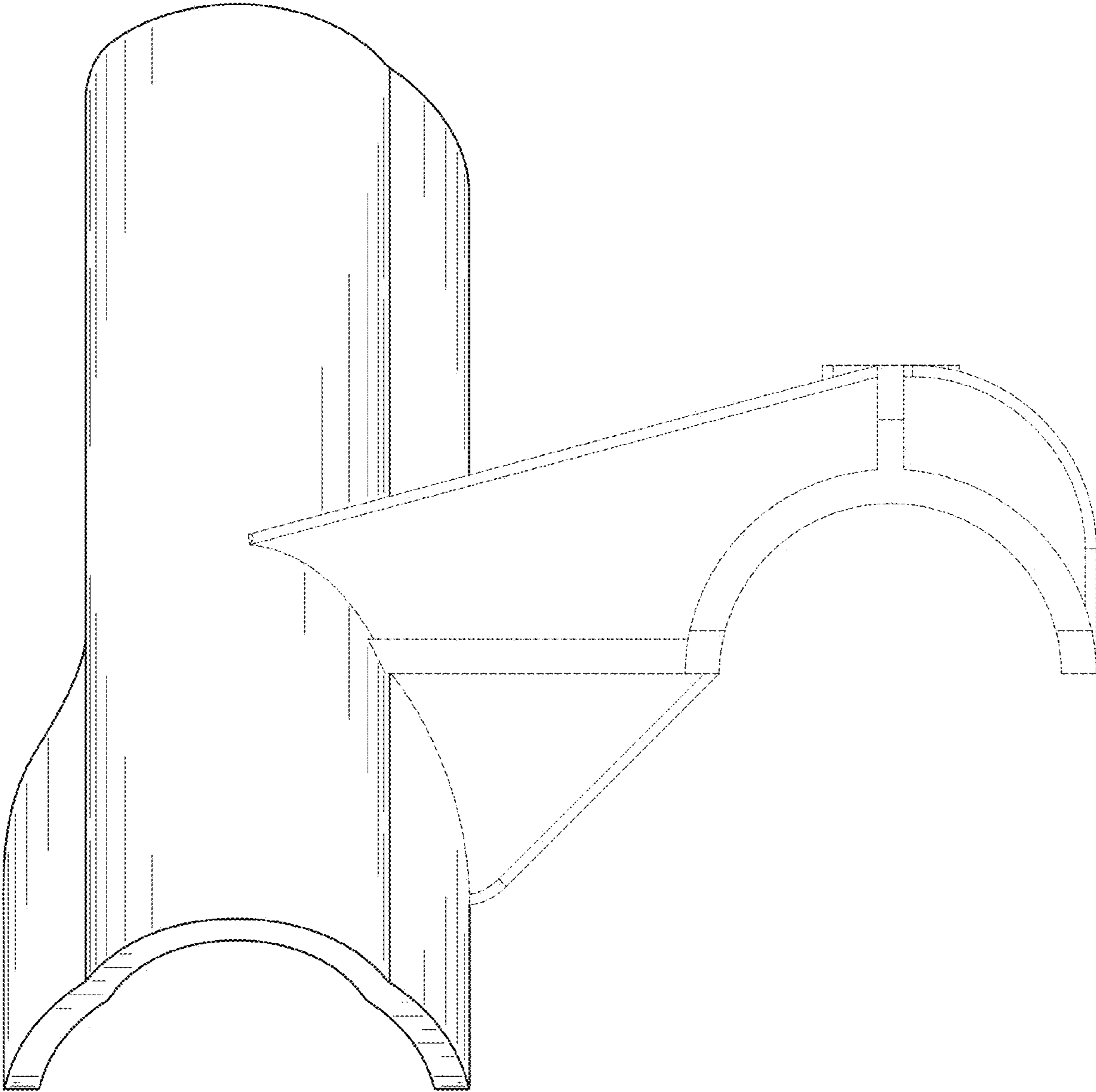


FIG. 7