

US00D959869S

(12) **United States Design Patent** (10) **Patent No.:** **US D959,869 S**  
**Kanthasamy** (45) **Date of Patent:** **\*\* Aug. 9, 2022**

(54) **SOFA BED WITH WOODEN LEGS**

(71) Applicant: **Abedan Kanthasamy**, Mississauga (CA)

(72) Inventor: **Abedan Kanthasamy**, Mississauga (CA)

(\*\*) Term: **15 Years**

(21) Appl. No.: **29/746,380**

(22) Filed: **Aug. 13, 2020**

(30) **Foreign Application Priority Data**

Jul. 27, 2020 (CA) ..... CA 197136

(51) **LOC (13) Cl.** ..... **06-02**

(52) **U.S. Cl.**  
USPC ..... **D6/383; D6/381**

(58) **Field of Classification Search**  
USPC ..... D6/382, 392, 393, 394, 395, 383, 595,  
D6/596, 604, 605, 381  
CPC .. E05D 3/06; E05D 3/05; A47C 20/04; A47C  
20/16  
See application file for complete search history.

(56) **References Cited**

**U.S. PATENT DOCUMENTS**

D446,962 S *	8/2001	Mourgue	.....	D6/335
D498,075 S *	11/2004	Mourgue	.....	D6/335
D635,791 S *	4/2011	Kanthasamy	.....	D6/381
D635,793 S *	4/2011	Kanthasamy	.....	D6/381
D635,794 S *	4/2011	Kanthasamy	.....	D6/381
8,875,321 B2 *	11/2014	Kanthasamy	.....	A47C 17/17 5/37.1
D719,755 S *	12/2014	Kanthasamy	.....	D6/381
D799,221 S *	10/2017	Pathiratne	.....	D6/335
D799,222 S *	10/2017	Pathiratne	.....	D6/335
D804,834 S *	12/2017	Kanthasamy	.....	D6/335
D829,452 S *	10/2018	Kanthasamy	.....	D6/335
D836,349 S *	12/2018	Kanthasamy	.....	D6/335

(Continued)

**OTHER PUBLICATIONS**

Hamilton Futon, available in walmart.com, customer review oldest date Jun. 5, 2017 [online], Retrieved Dec. 15, 2021 from URL: <https://www.walmart.com/ip/DHP-Hamilton-Futon-Multiple-Colors/451717176> (Year: 2017).\*

(Continued)

*Primary Examiner* — Vy N Koenig

*Assistant Examiner* — Michelle M Reeves

(74) *Attorney, Agent, or Firm* — Harness, Dickey & Pierce, P.L.C.

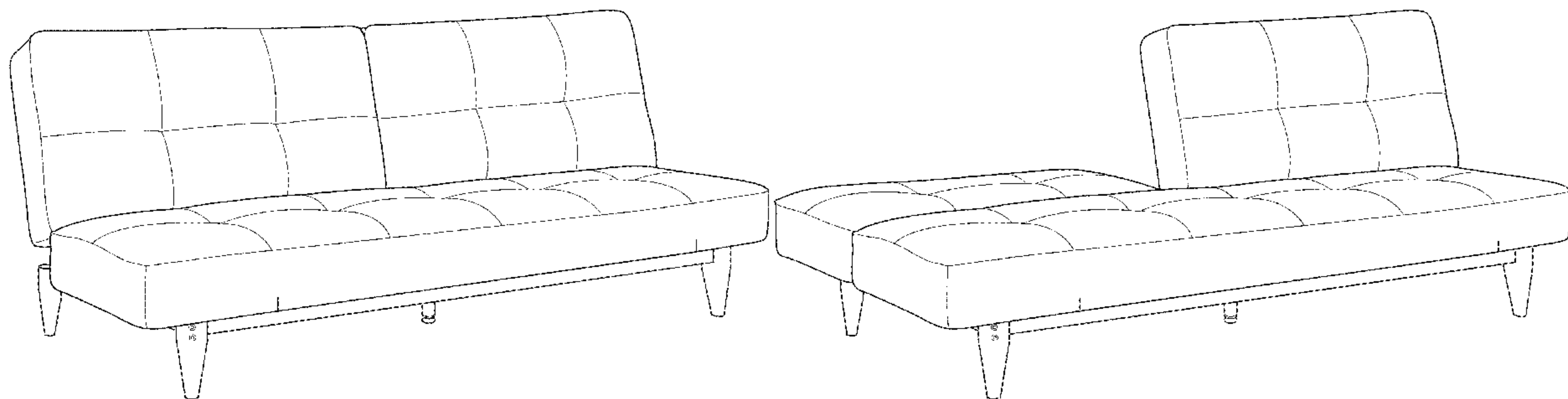
(57) **CLAIM**

The ornamental design for a sofa bed with wooden legs, as shown and described.

**DESCRIPTION**

FIG. 1 is a front view of the sofa bed with wooden legs in a first position;  
FIG. 2 is a front, right side, perspective view of the sofa bed with wooden legs in the first position;  
FIG. 3 is a front, right side, perspective view of the sofa bed with wooden legs in a second position;  
FIG. 4 is a front, right side, perspective view of the sofa bed with wooden legs in a third position;  
FIG. 5 is a front, right side, perspective view of the sofa bed with wooden legs in a fourth position;  
FIG. 6 is a front, right side, perspective view of the sofa bed with wooden legs in a fifth position;  
FIG. 7 is a right side view of the sofa bed with wooden legs in the first position;  
FIG. 8 is a left side view of the sofa bed with wooden legs in the first position;  
FIG. 9 is a back, left side, perspective view of the sofa bed with wooden legs in the first position; and,  
FIG. 10 is a bottom, left side, perspective view of the sofa bed with wooden legs in the fourth position.

**1 Claim, 10 Drawing Sheets**



(56)

**References Cited**

U.S. PATENT DOCUMENTS

D836,350 S \* 12/2018 Kanthasamy ..... D6/335  
D836,926 S \* 1/2019 Kanthasamy ..... D6/335  
D836,927 S \* 1/2019 Kanthasamy ..... D6/335  
D841,992 S \* 3/2019 Kershner ..... D6/335  
D891,128 S \* 7/2020 Kanthasamy ..... D6/335  
D891,129 S \* 7/2020 Kanthasamy ..... D6/335  
D891,130 S \* 7/2020 Kanthasamy ..... D6/335  
D904,042 S \* 12/2020 Kanthasamy ..... D6/335  
D933,977 S \* 10/2021 Kanthasamy ..... D6/335  
2011/0016626 A1\* 1/2011 Kanthasamy ..... A47C 17/16  
5/37.1  
2012/0297535 A1\* 11/2012 Kanthasamy ..... A47C 17/162  
5/12.1

OTHER PUBLICATIONS

Mainstays Memory Foam Futon, available in walmart.com published Oct. 16, 2018 [online], Retrieved on Dec. 15, 2021 from URL: <https://www.walmart.com/ip/Mainstays-Memory-Foam-Futon-Gray-Faux-Suede-Fabric-72/658124471> (Year: 2018).\*

\* cited by examiner

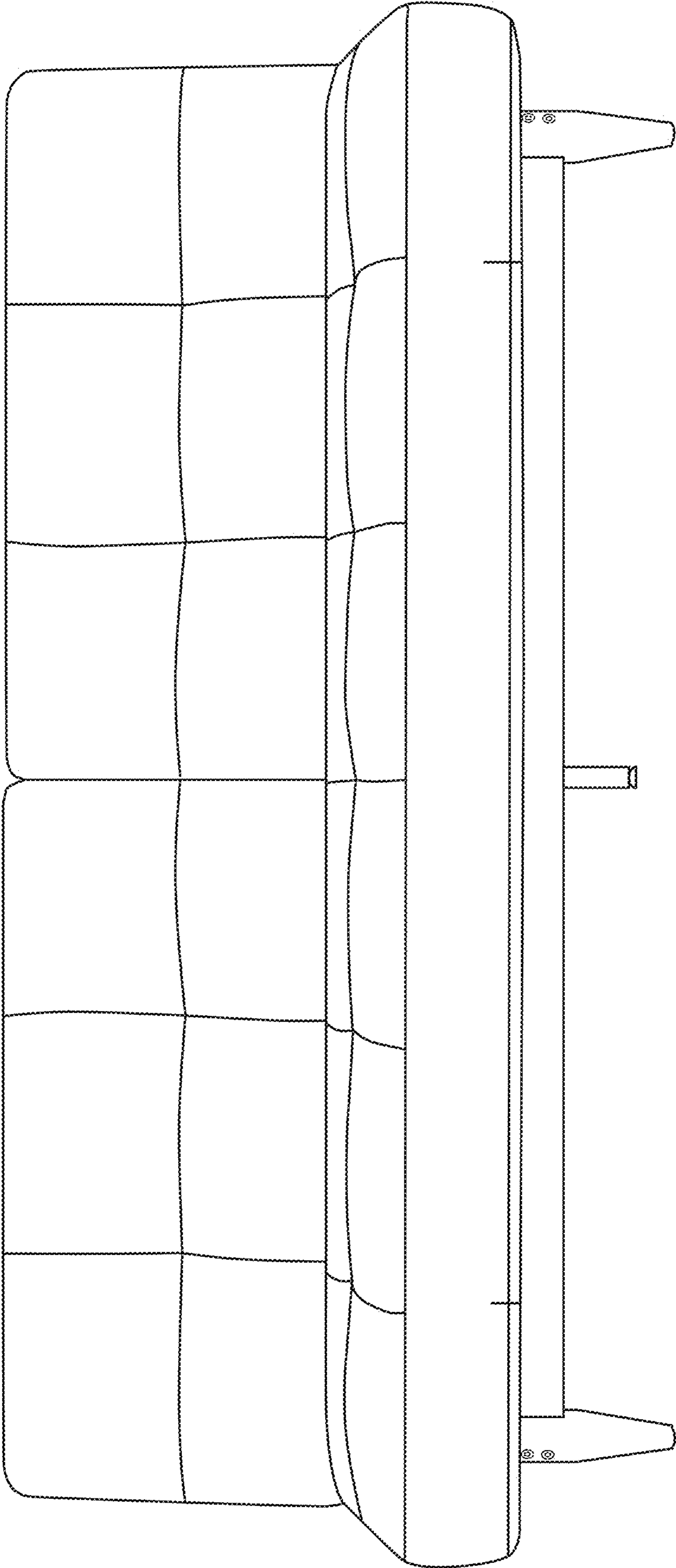


FIG. 1

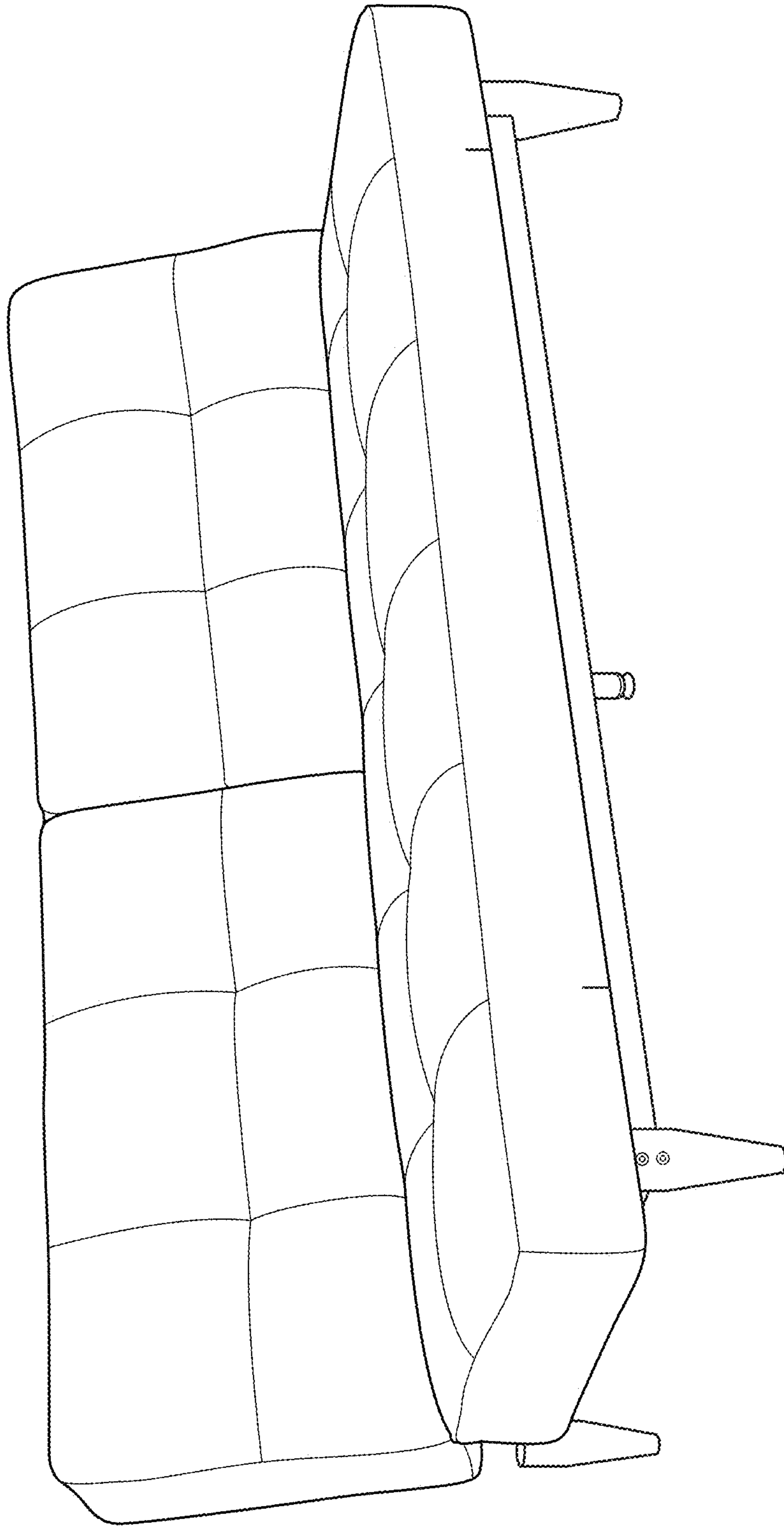


FIG. 2

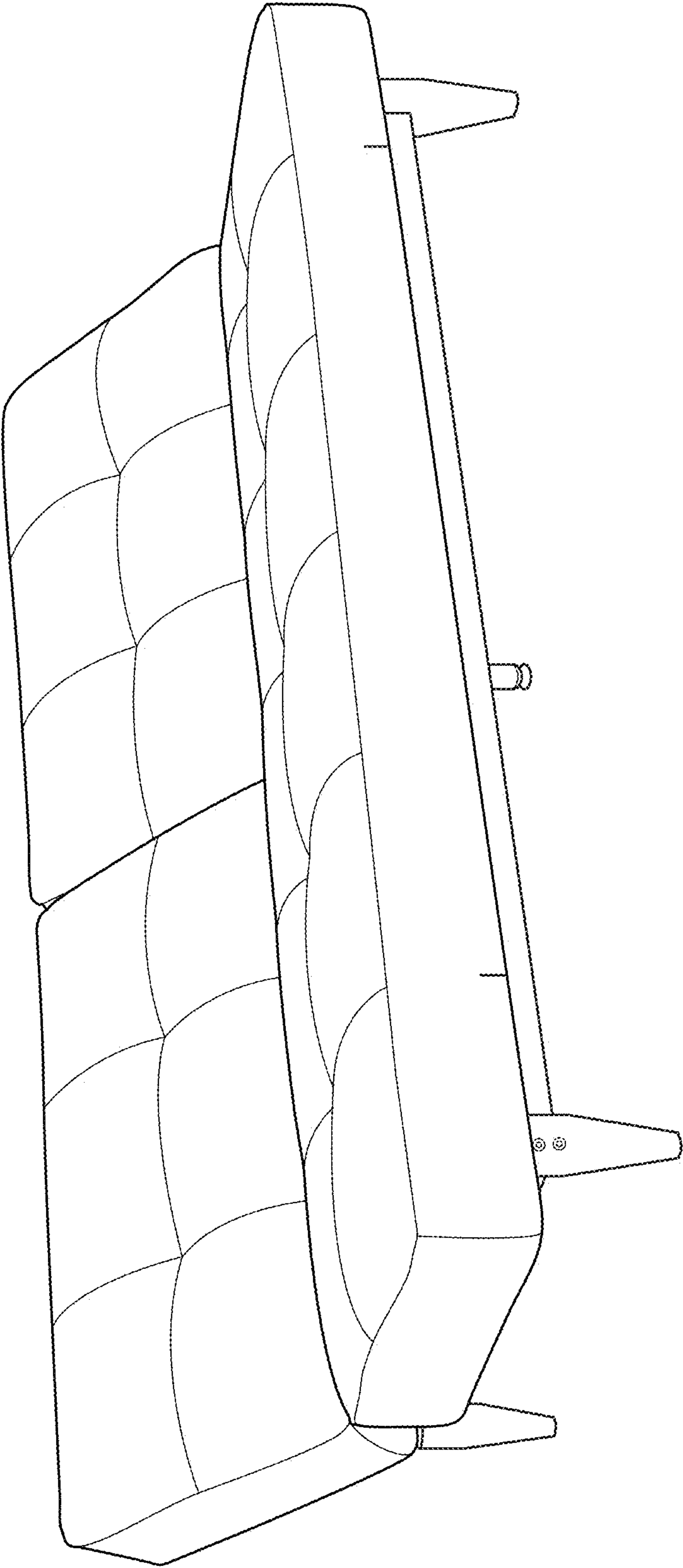


FIG. 3



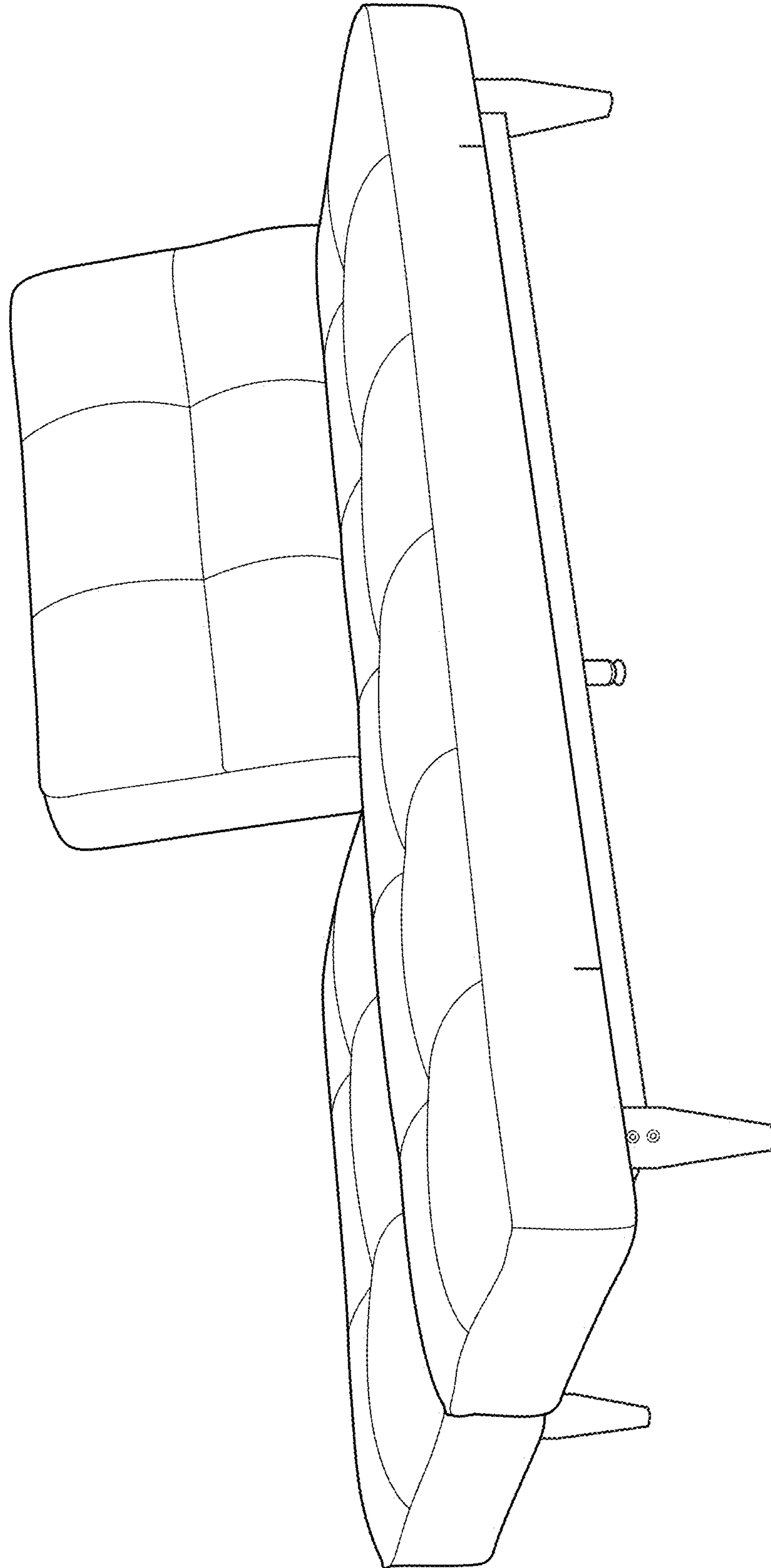


FIG. 4

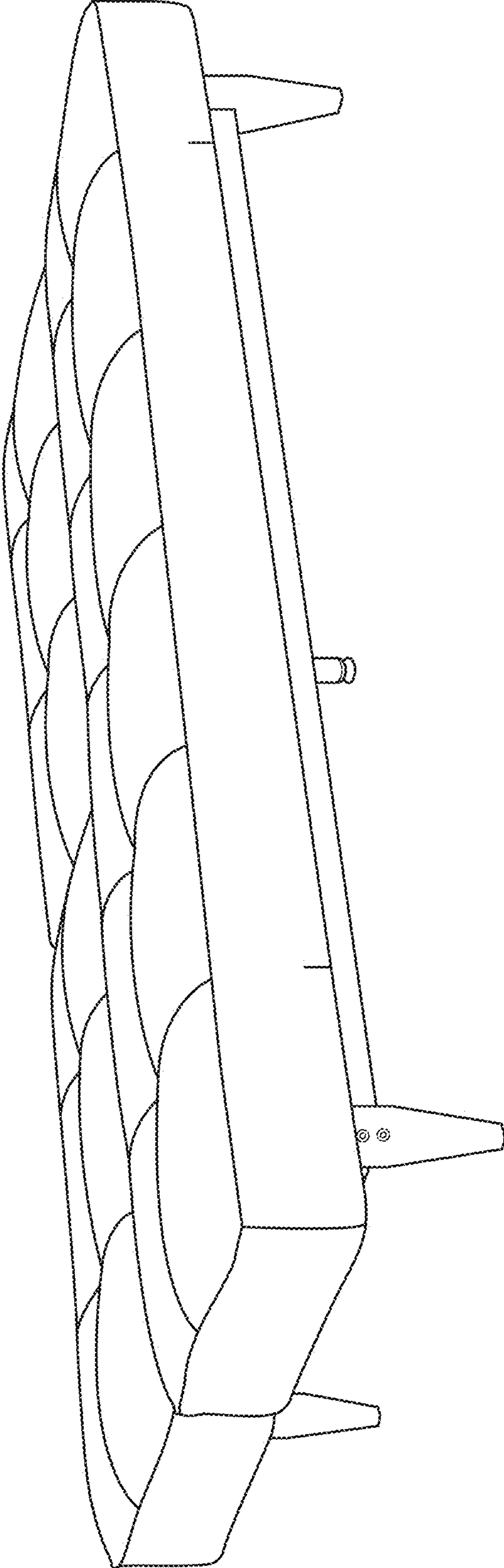


FIG. 5

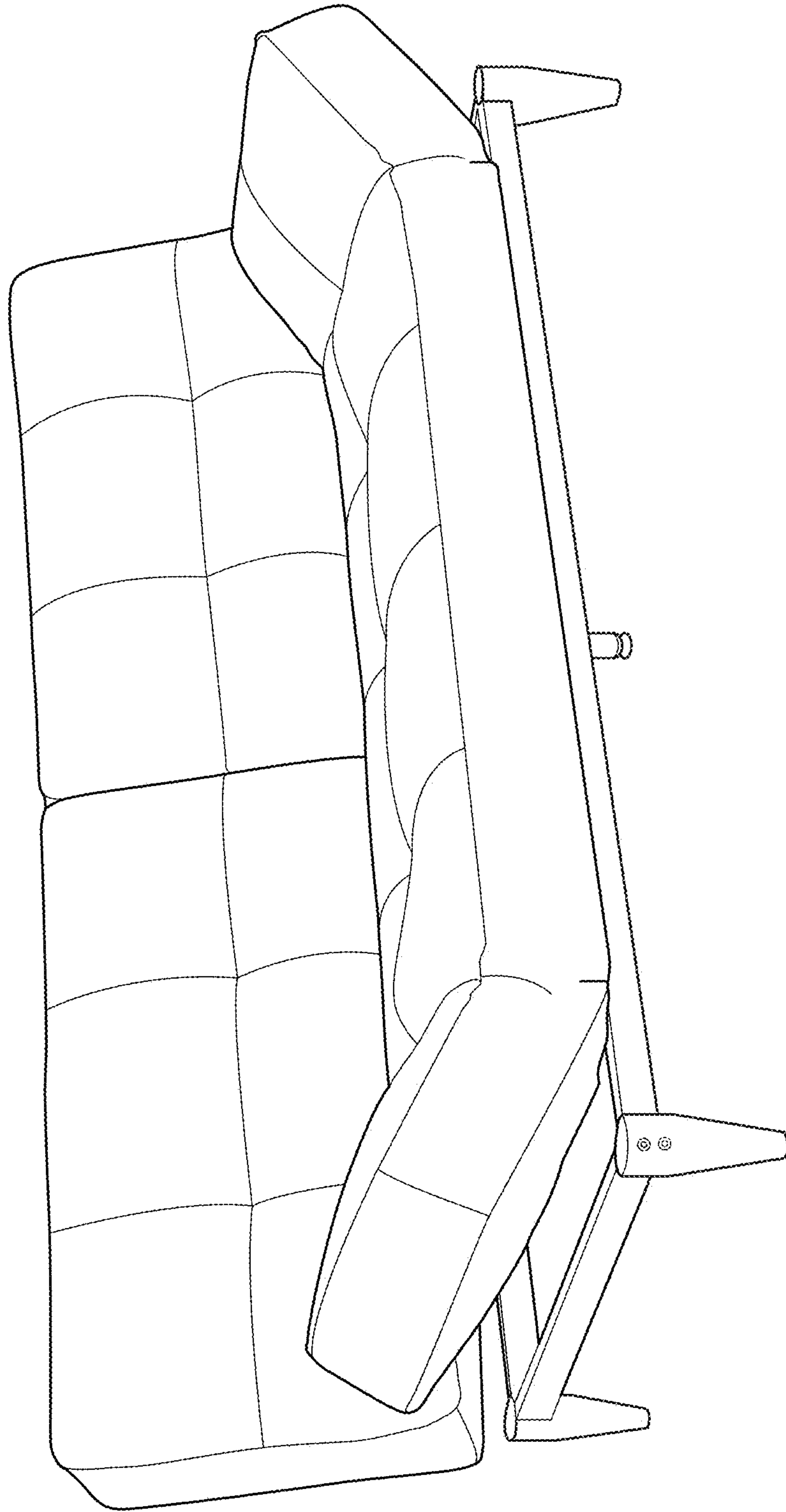


FIG. 6



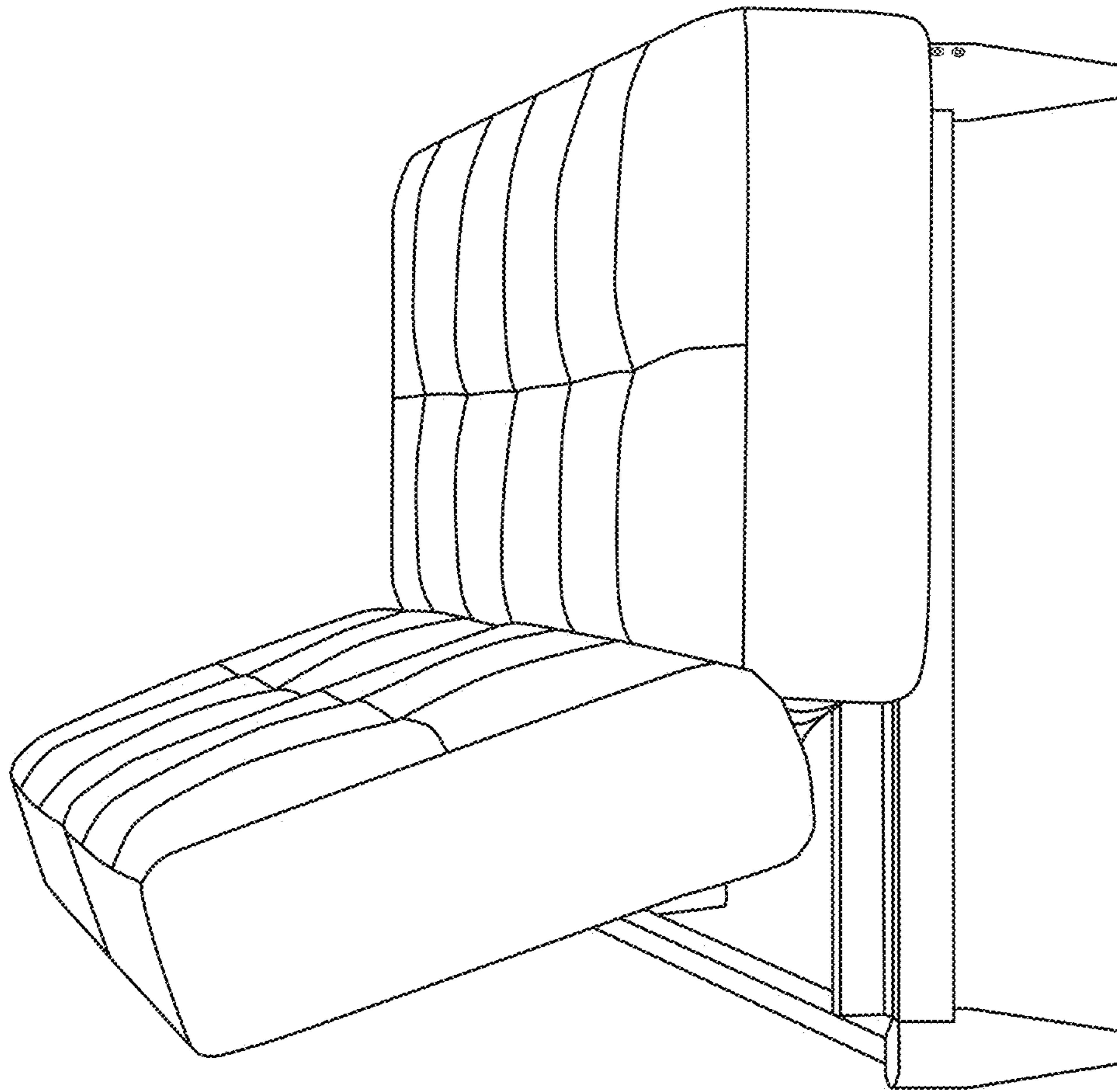


FIG. 7

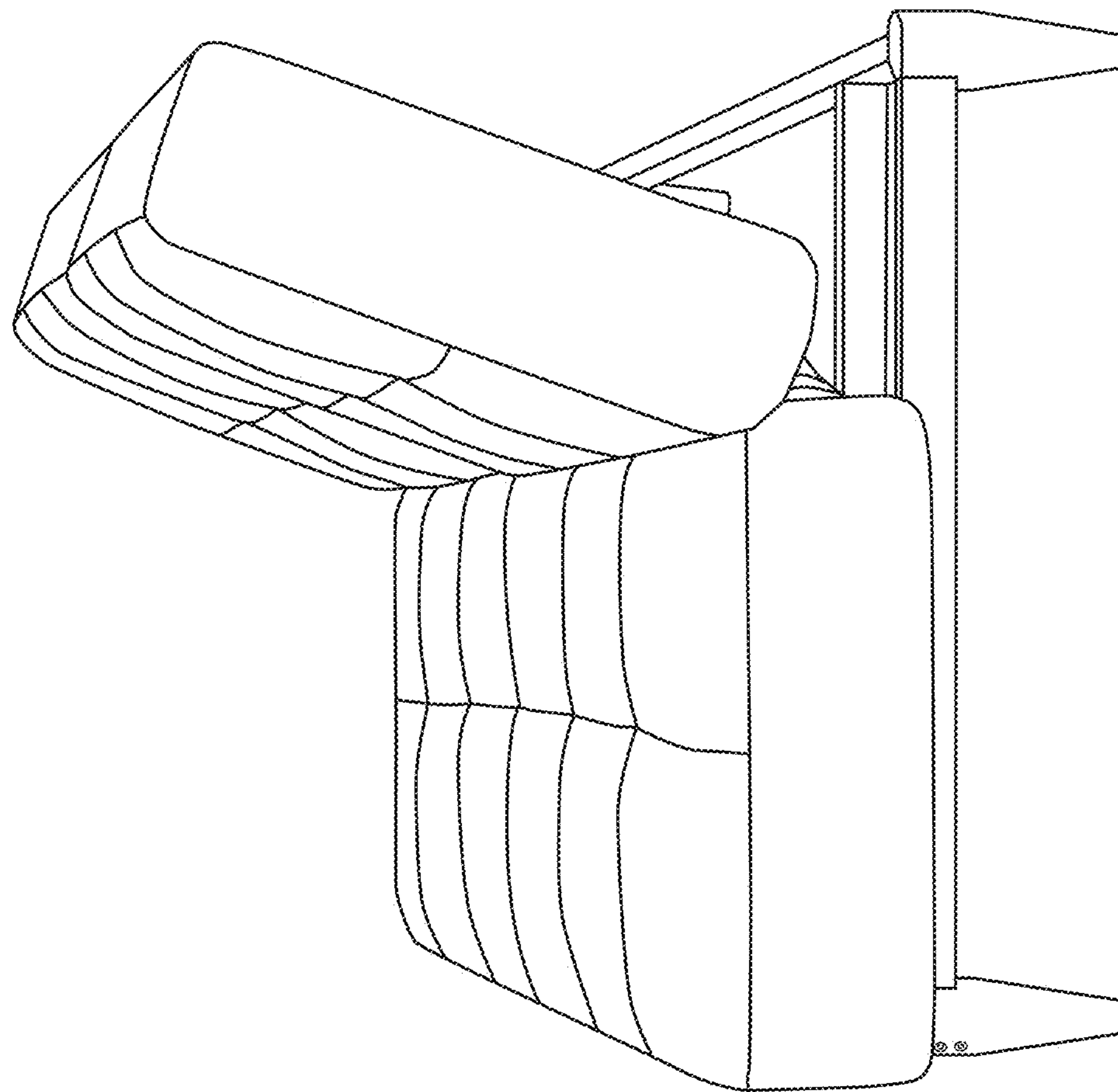


FIG. 8

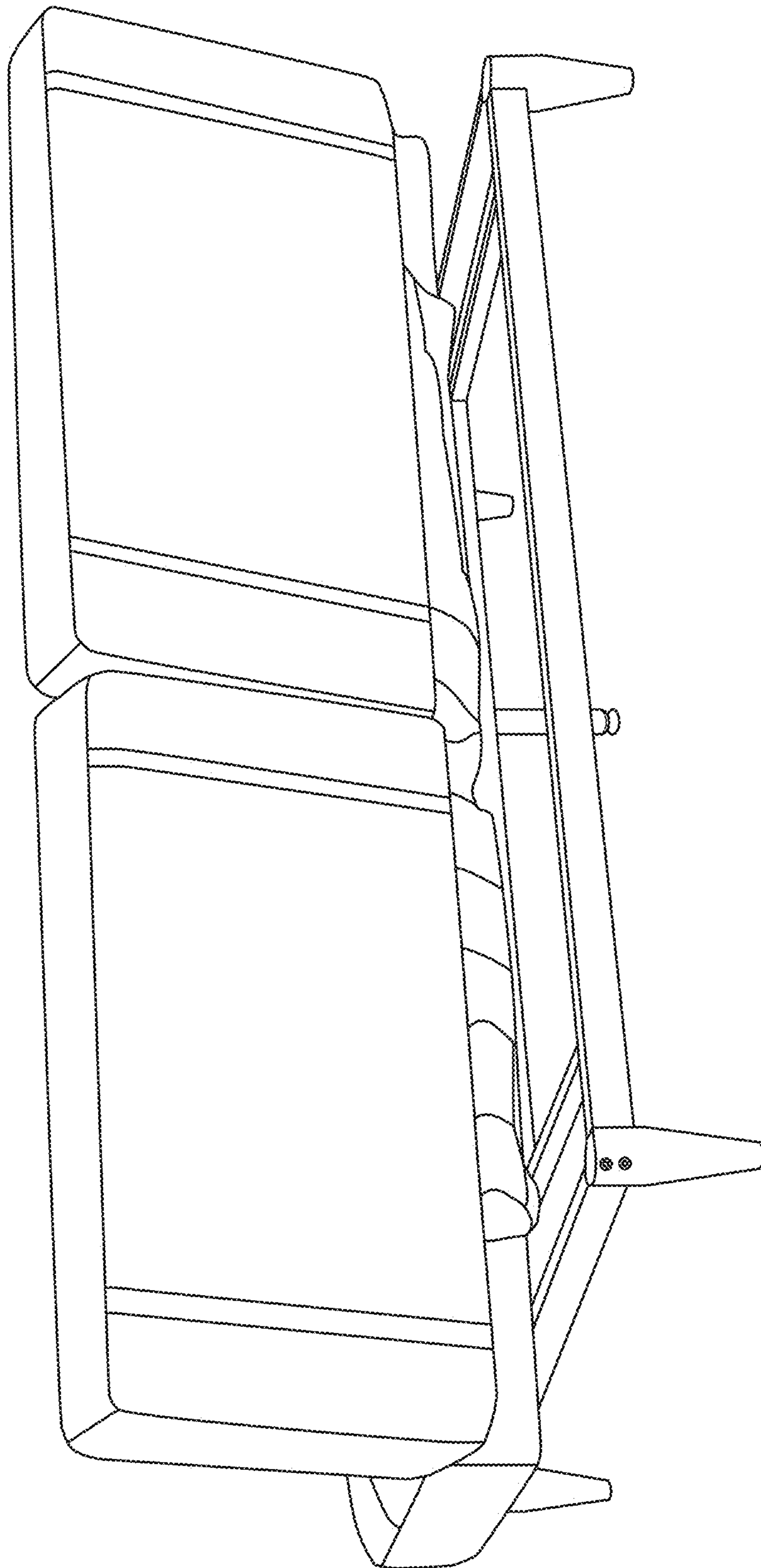


FIG. 9

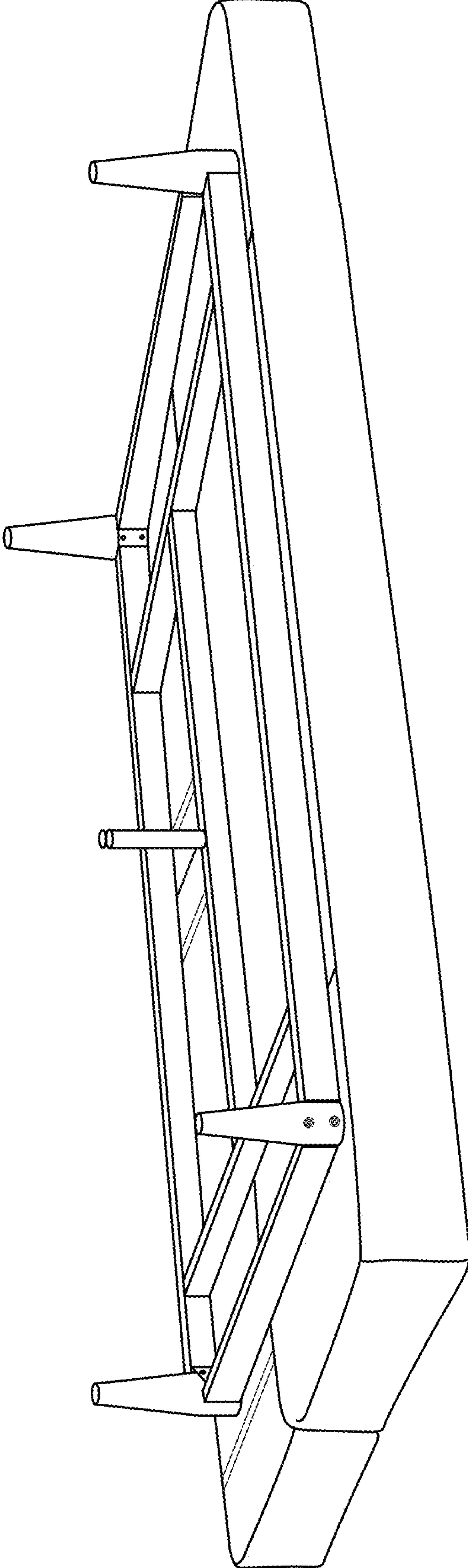


FIG. 10